

US00D866827S

(12) **United States Design Patent** (10) **Patent No.:** **US D866,827 S**  
**To** (45) **Date of Patent:** **\*\* Nov. 12, 2019**

(54) **COMBINED SENSOR LIGHT WITH MULTIPLE HANGERS**

(71) Applicant: **Kin Ming To**, Hong Kong (HK)

(72) Inventor: **Kin Ming To**, Hong Kong (HK)

(\*\*) Term: **15 Years**

(21) Appl. No.: **29/596,373**

(22) Filed: **Mar. 8, 2017**

(51) **LOC (12) Cl.** ..... **26-02**

(52) **U.S. Cl.**  
USPC ..... **D26/38**

(58) **Field of Classification Search**  
USPC ..... D26/28-36, 38-50  
CPC ..... B60Q 1/0483; B60Q 9/13; B60Q 9/135;  
B60Q 9/1375; F21S 48/00; F21S 48/10;  
F21S 48/115; F21S 48/225; F21S  
48/1233; F21S 48/1266; F21S 48/1388;  
F21S 48/2268; F21V 21/04  
See application file for complete search history.

(56) **References Cited**

**U.S. PATENT DOCUMENTS**

D353,011 S \* 11/1994 Miller ..... D26/38  
D365,163 S \* 12/1995 Brogliato ..... D26/38

D369,082 S \* 4/1996 Fells ..... D26/38  
D371,616 S \* 7/1996 Porth ..... D26/38  
D499,198 S \* 11/2004 Cowan ..... D26/31  
D656,258 S \* 3/2012 Georgitsis ..... B60Q 1/0483  
D26/31  
D676,990 S \* 2/2013 Adams ..... D26/31  
D713,574 S \* 9/2014 Adams ..... D26/31  
D795,095 S \* 8/2017 Alla ..... D10/57

\* cited by examiner

*Primary Examiner* — Marcus A Jackson

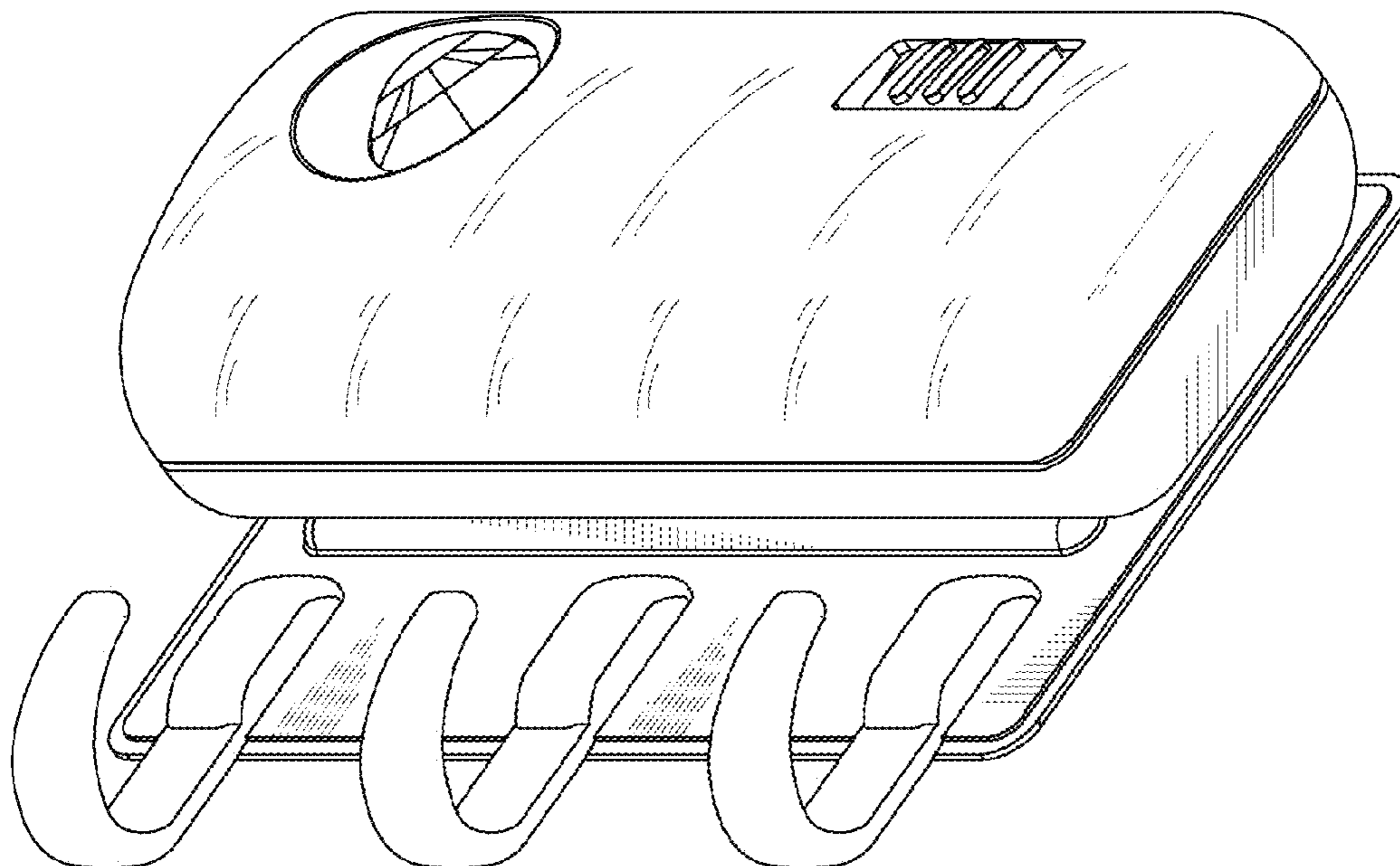
(57) **CLAIM**

The ornamental design for a combined sensor light with multiple hangers, as shown and described.

**DESCRIPTION**

FIG. 1 is a front elevational view of a combined sensor light with multiple hangers showing my new design; FIG. 2 is a rear elevational view thereof; FIG. 3 is a left side view thereof; FIG. 4 is a right side view thereof; FIG. 5 is a top plan view thereof; FIG. 6 is a bottom plan view thereof; FIG. 7 is a first perspective view thereof; and, FIG. 8 is a second perspective view thereof. The broken lines in the drawings illustrate portions of the combined sensor light with multiple hangers which form no part of the claimed design. The diagonal lines indicate transparency.

**1 Claim, 7 Drawing Sheets**



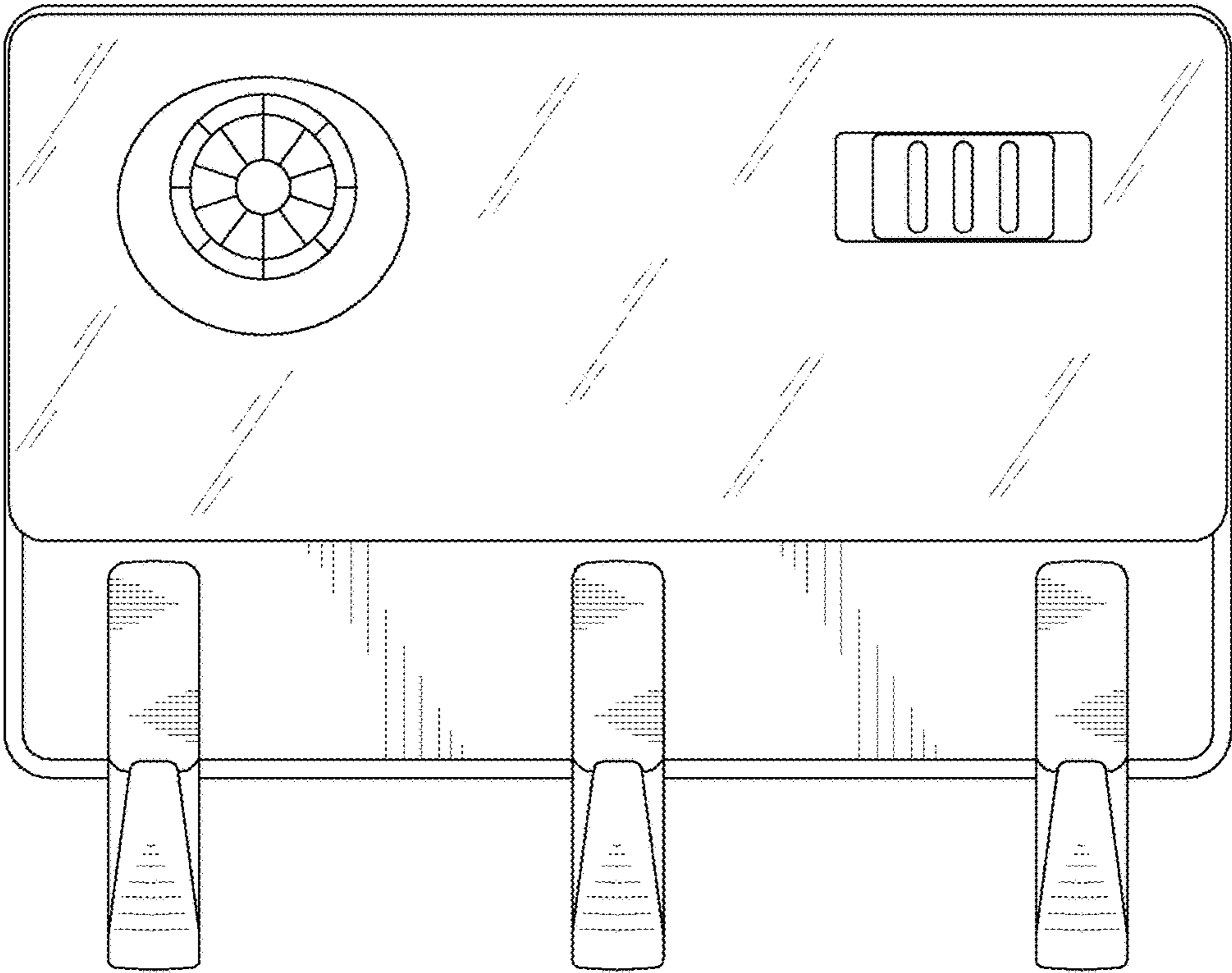


Fig. 1

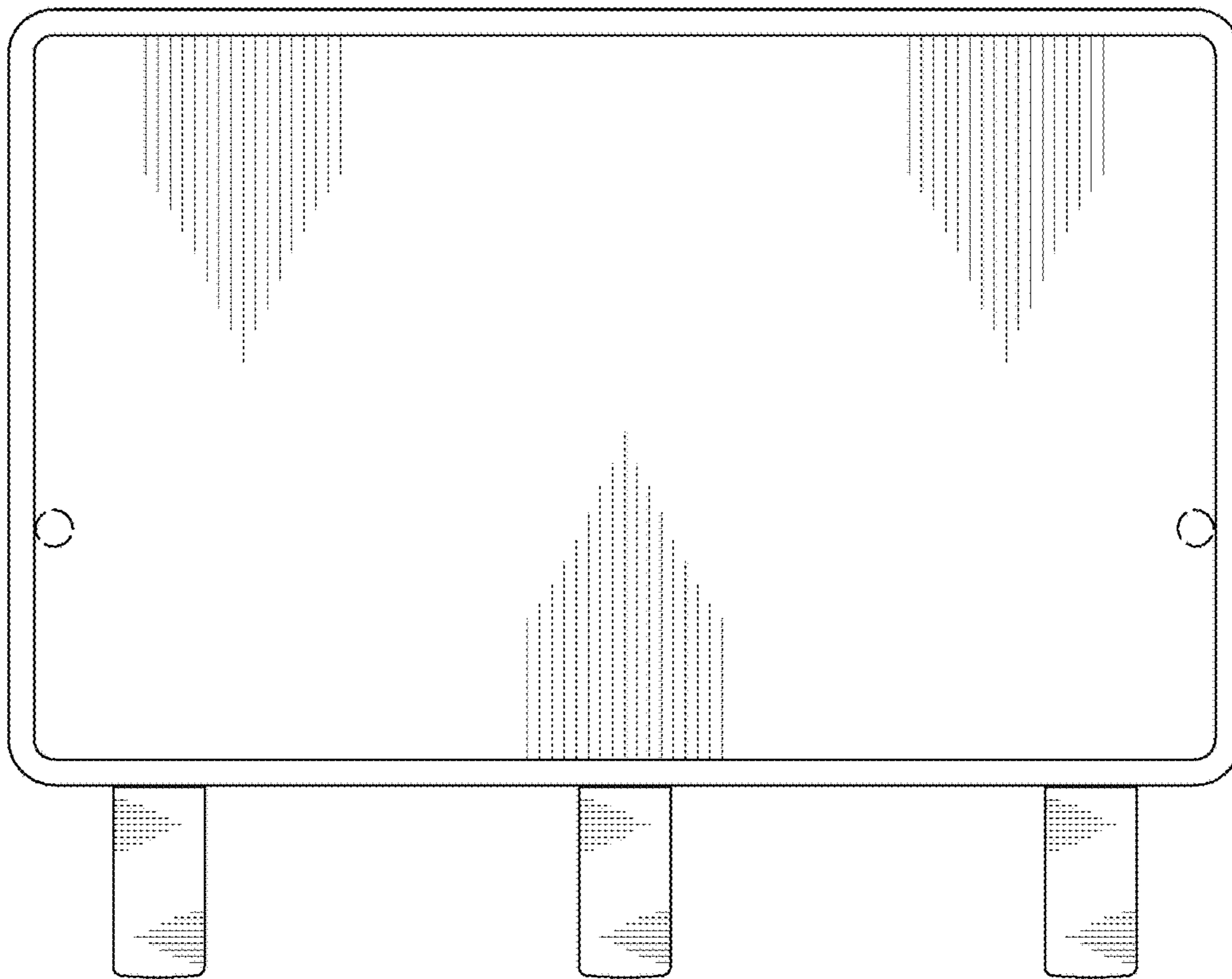


Fig. 2

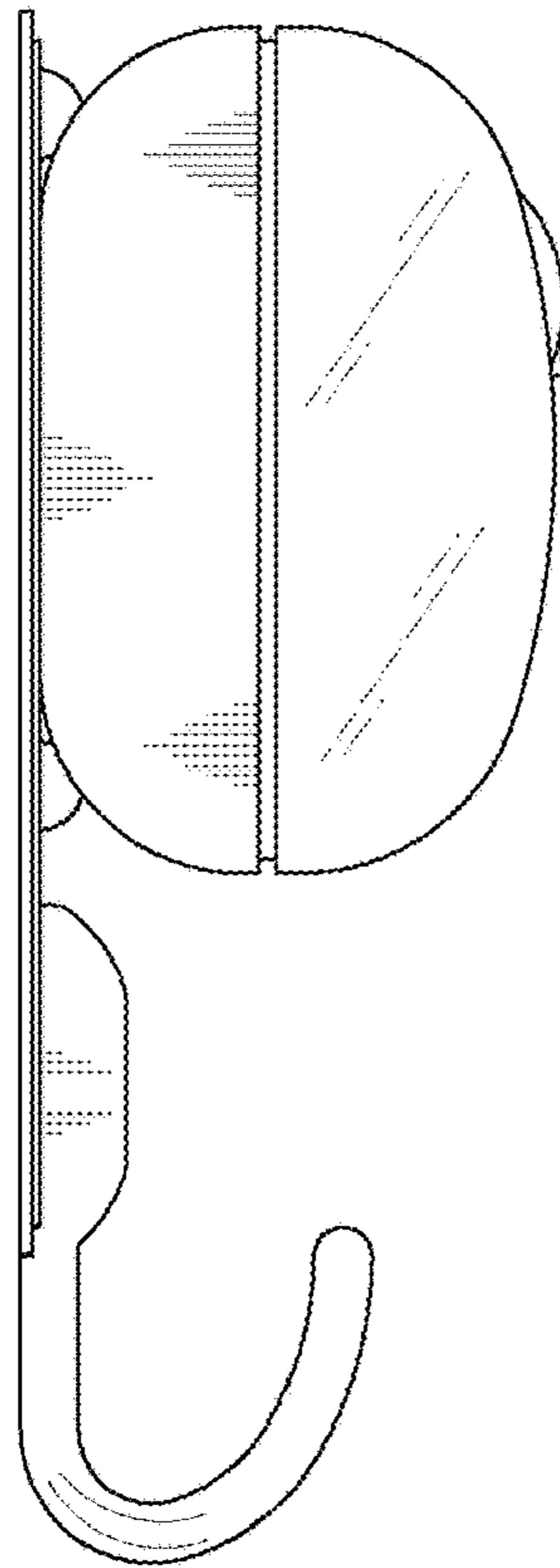


Fig. 3

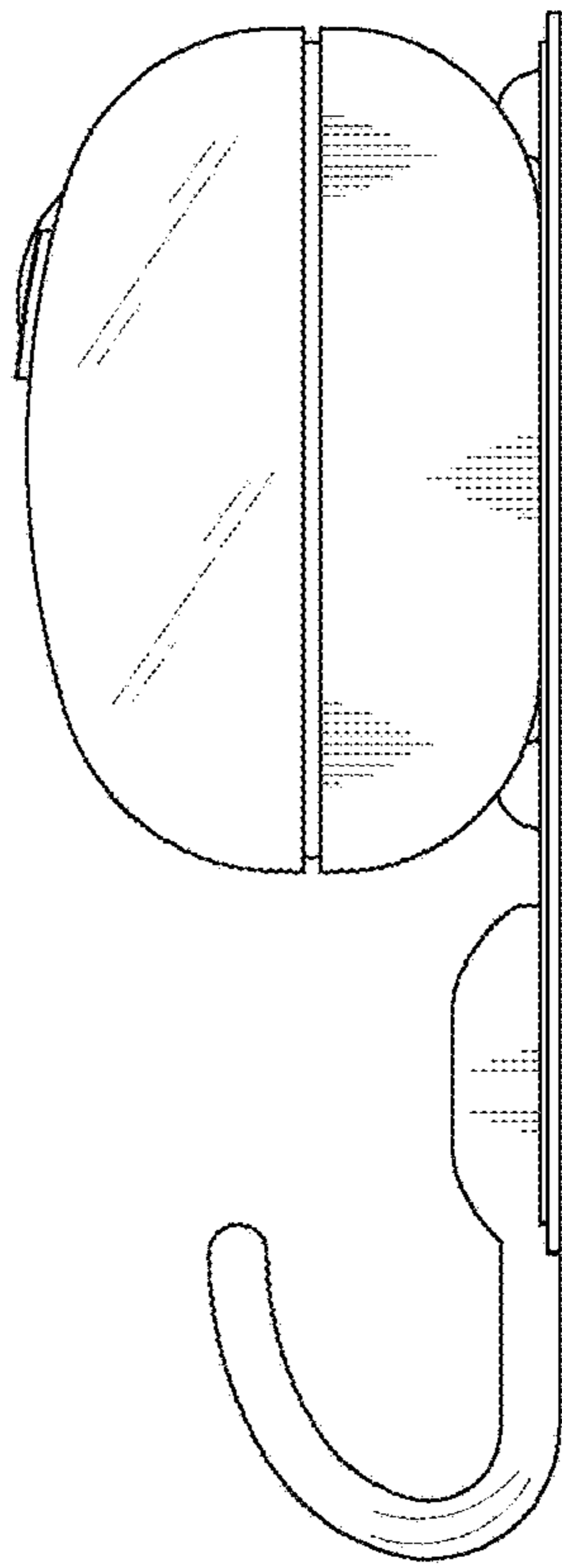


Fig. 4

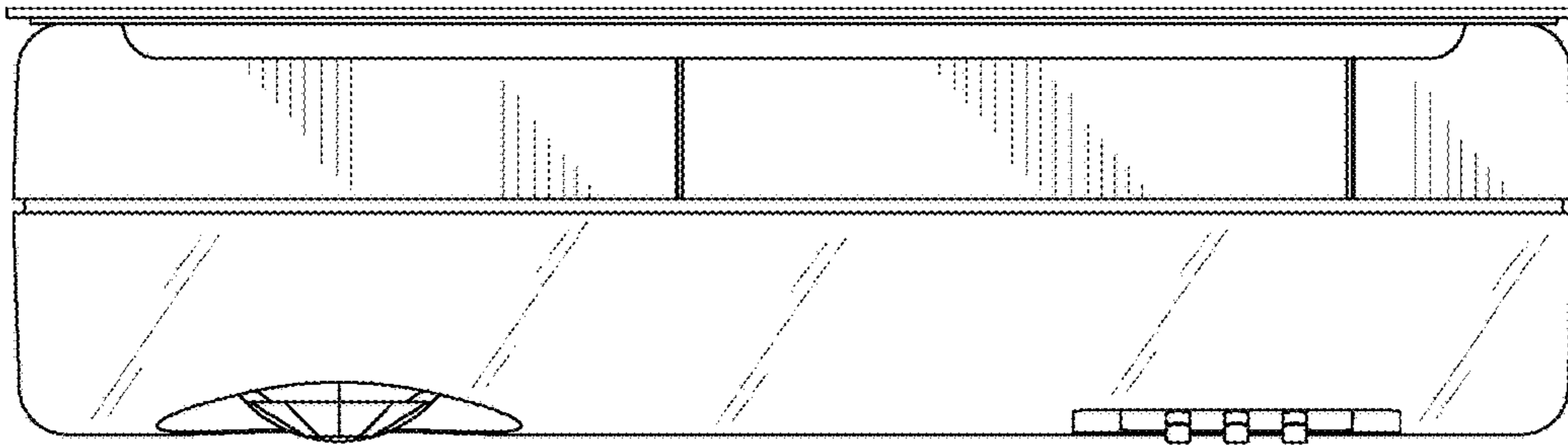


Fig. 5

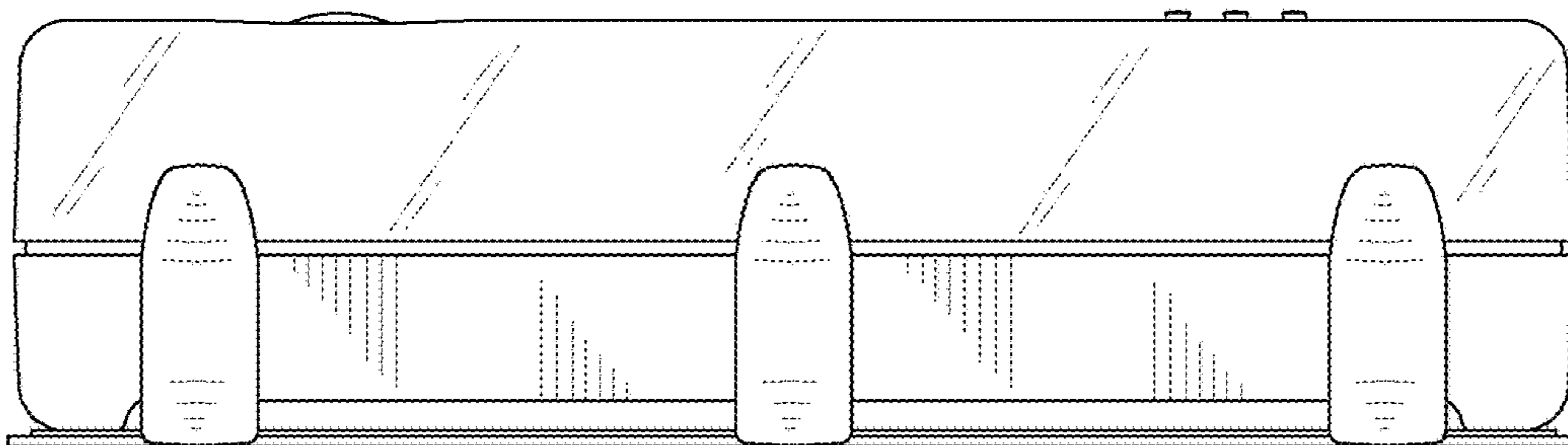


Fig. 6

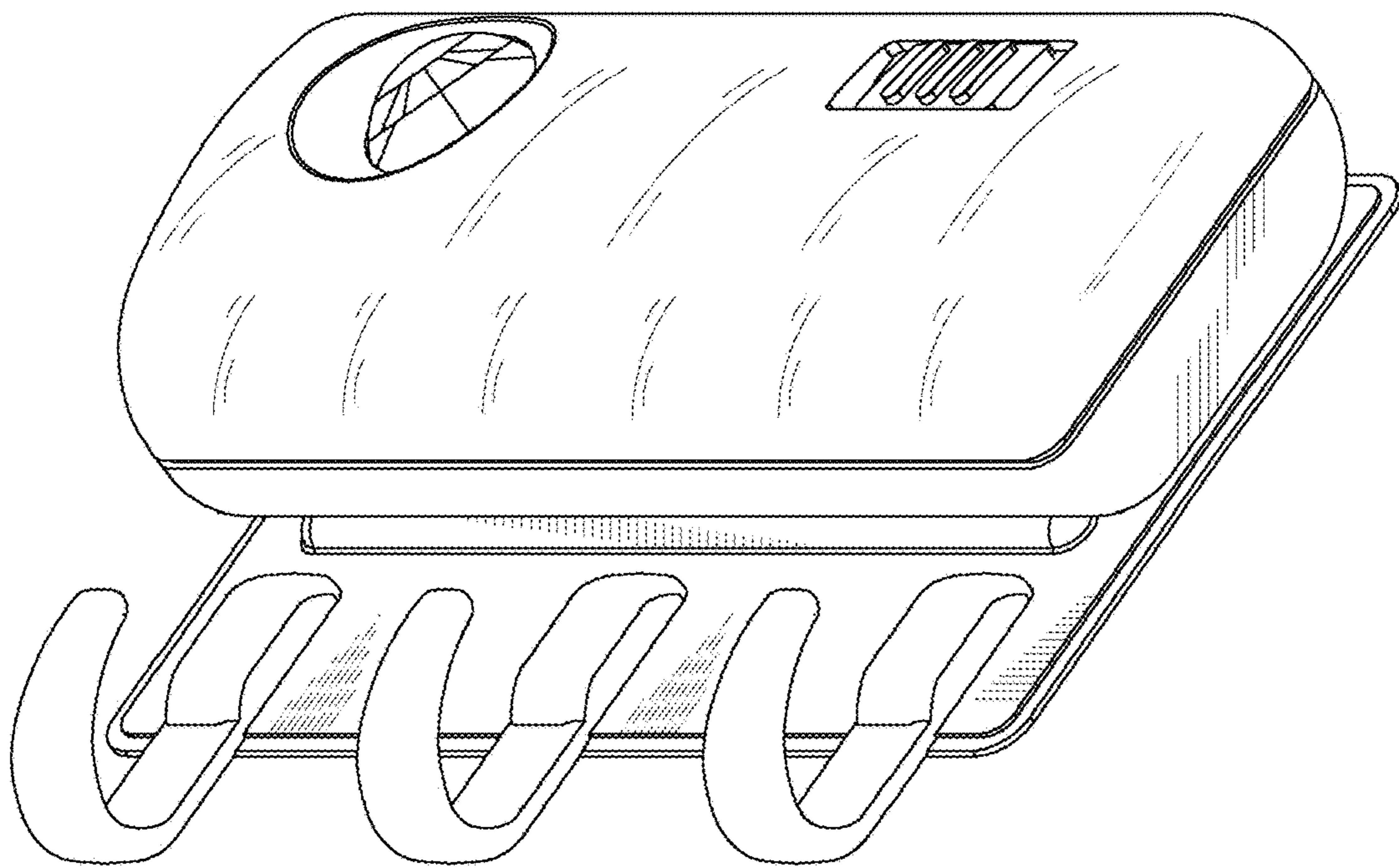


Fig. 7

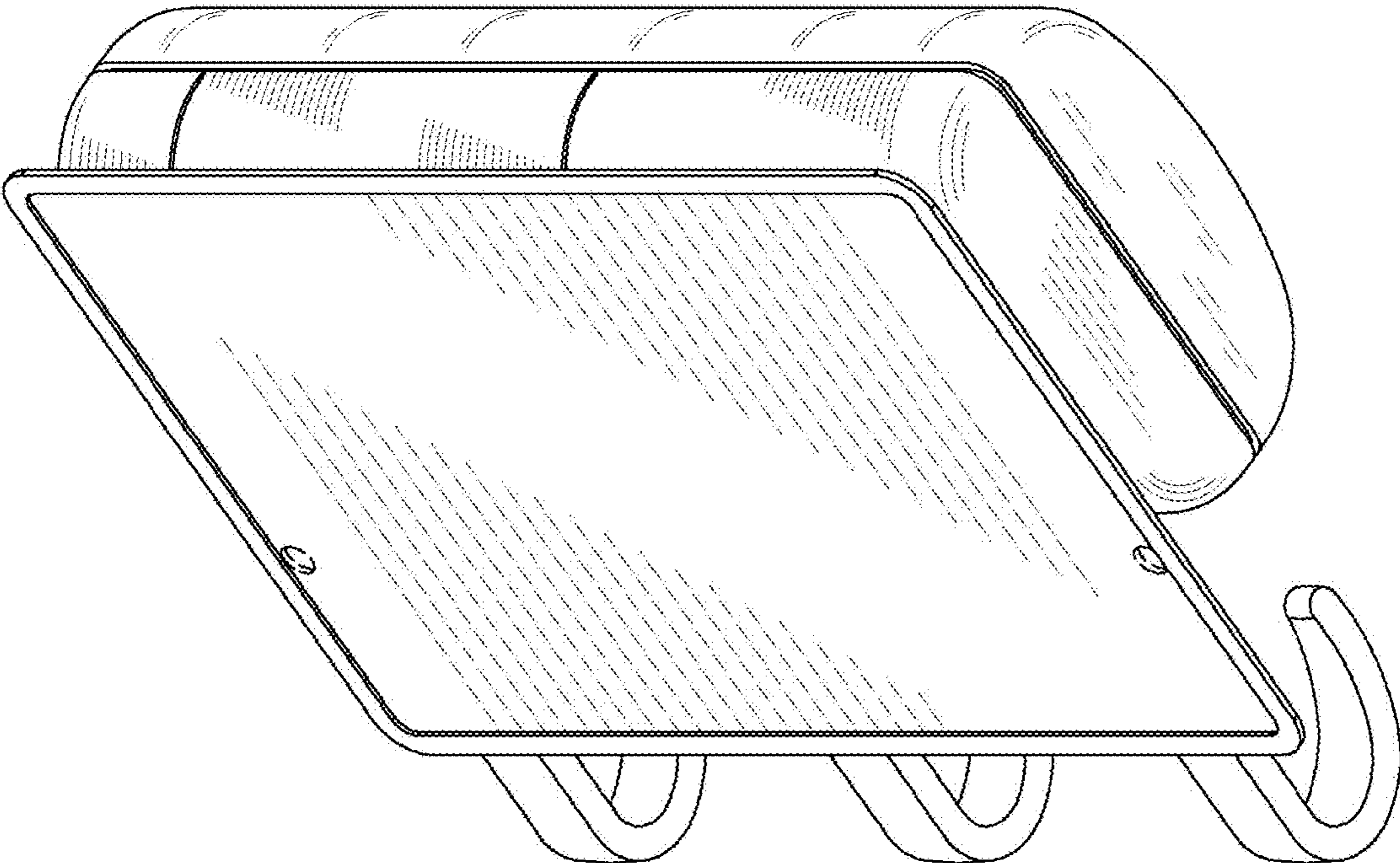


Fig. 8