



US00D866826S

(12) **United States Design Patent** (10) **Patent No.:** **US D866,826 S**
To (45) **Date of Patent:** **** Nov. 12, 2019**

(54) **COMBINED SENSOR LIGHT AND HANGER**

(71) Applicant: **Kin Ming To**, Hong Kong (HK)

(72) Inventor: **Kin Ming To**, Hong Kong (HK)

(**) Term: **15 Years**

(21) Appl. No.: **29/596,220**

(22) Filed: **Mar. 7, 2017**

(30) **Foreign Application Priority Data**

Jan. 23, 2017 (CN) 2017 3 0028092

(51) **LOC (12) Cl.** **26-02**

(52) **U.S. Cl.**
USPC **D26/38**

(58) **Field of Classification Search**
USPC D26/28-36, 37-50
CPC B60Q 9/13; B60Q 9/15; B60Q 9/1375;
F21S 48/00; F21S 48/10; F21S 48/115;
F21S 48/225; F21S 48/1233; F21S
48/1266; F21S 48/1388; F21S 48/2268;
F21V 21/04

See application file for complete search history.

(56) **References Cited**

U.S. PATENT DOCUMENTS

D353,011 S * 11/1994 Miller D26/38
D364,694 S * 11/1995 Silvia D26/38

D369,082 S * 4/1996 Fells D26/38
D371,616 S * 7/1996 Porth D26/38
D499,198 S * 11/2004 Cowan D26/31
D656,258 S * 3/2012 Georgitsis B60Q 1/0483
D26/31
D676,990 S * 2/2013 Adams D26/31
D790,095 S * 6/2017 Parvaresh D26/31

* cited by examiner

Primary Examiner — Marcus A Jackson

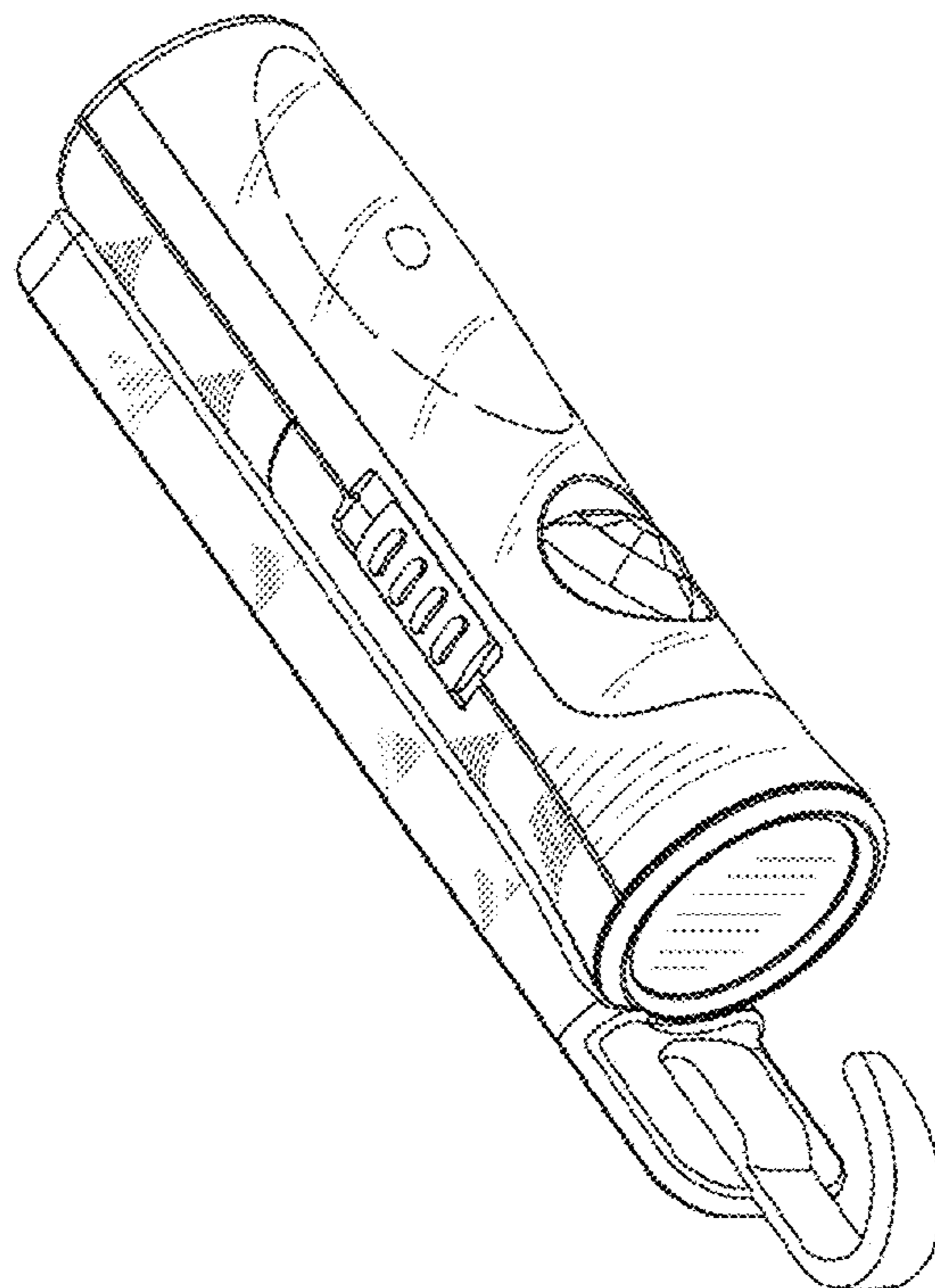
(57) **CLAIM**

The ornamental design for a combined sensor light and hanger, as shown and described.

DESCRIPTION

FIG. 1 is a front elevational view of a combined sensor light and hanger showing my new design; FIG. 2 is a rear elevational view thereof; FIG. 3 is a left side view thereof; FIG. 4 is a right side view thereof; FIG. 5 is a top plan view thereof; FIG. 6 is a bottom plan view thereof; FIG. 7 is a first perspective view thereof; and, FIG. 8 is a second perspective view thereof. The broken lines in the drawings illustrate portions of the combined sensor light and hanger which form no part of the claimed design. The diagonal lines indicate transparency.

1 Claim, 7 Drawing Sheets



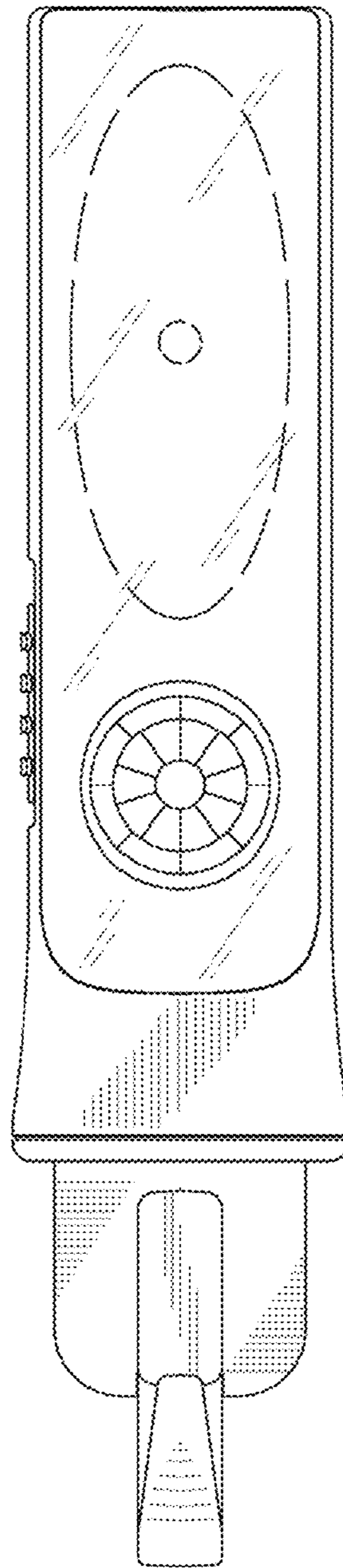


Fig. 1

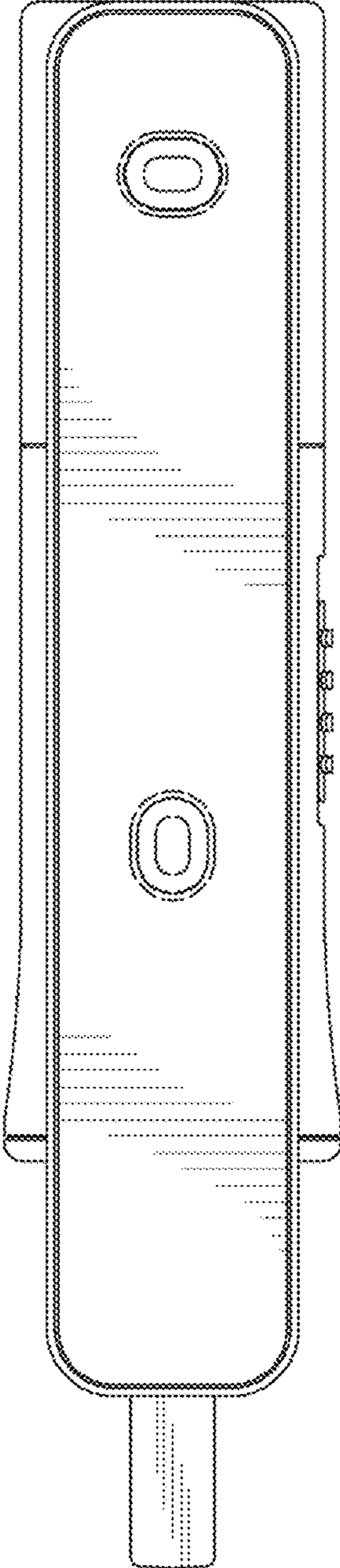


Fig. 2

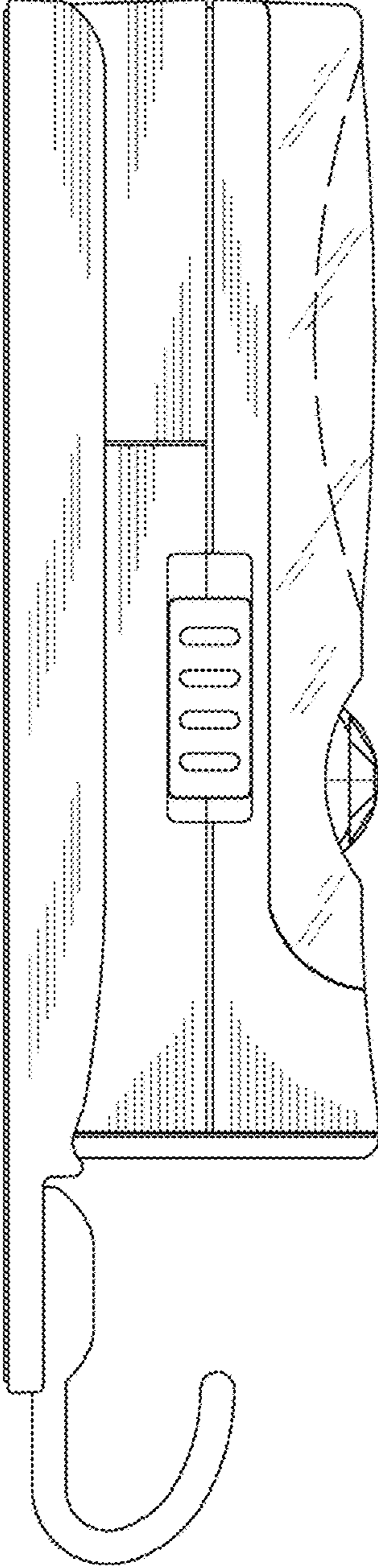


Fig. 3

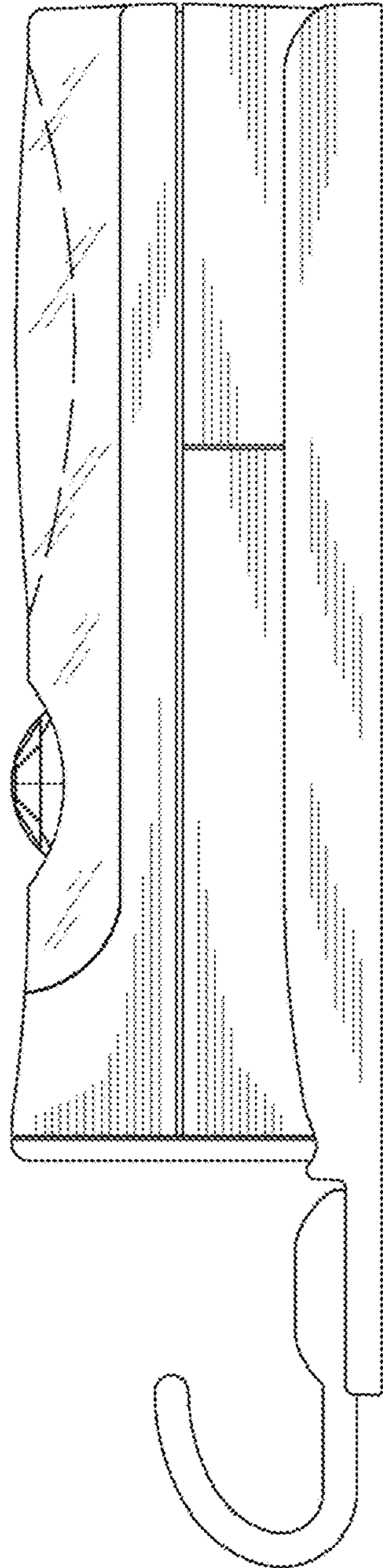


Fig. 4

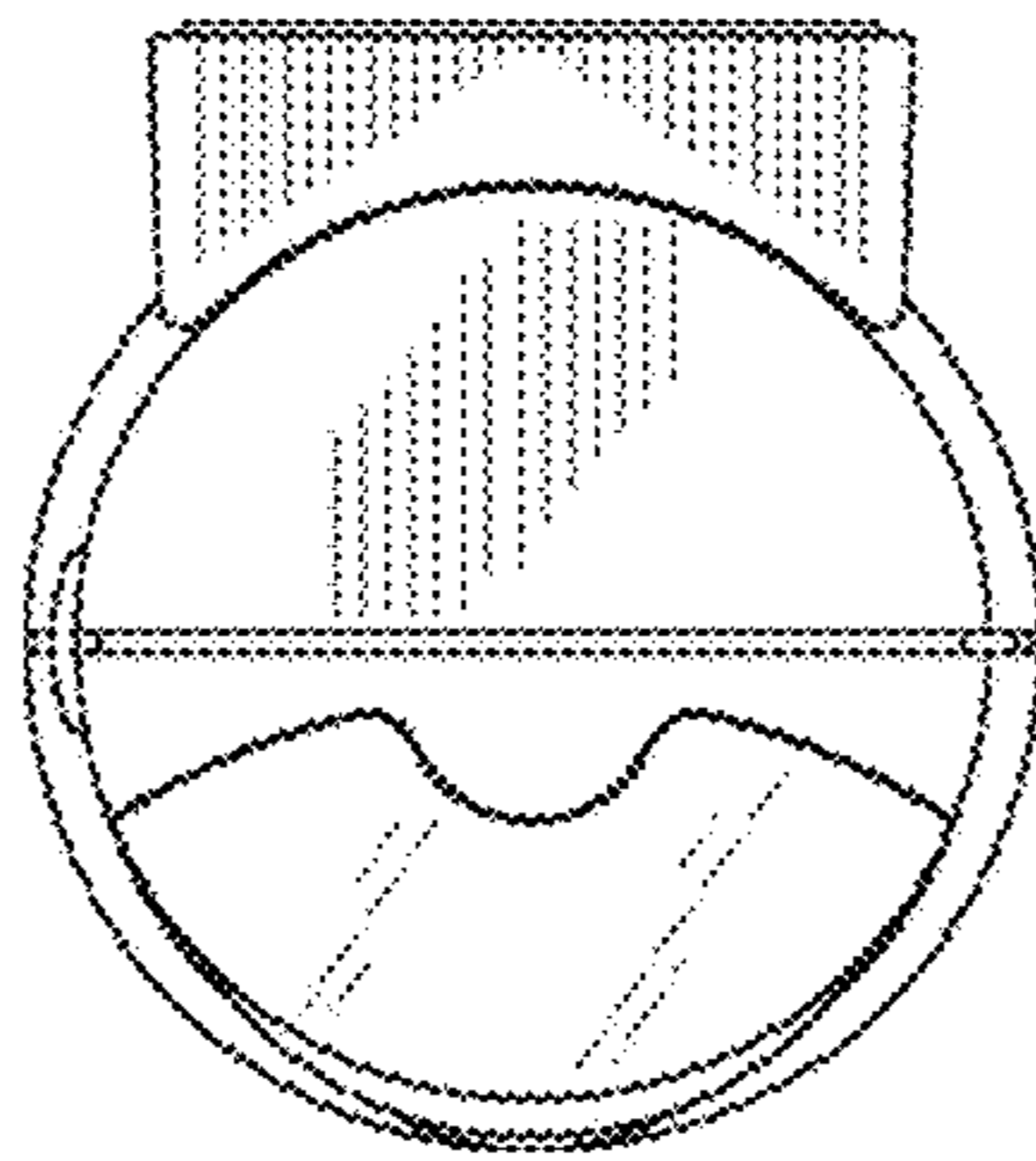


Fig. 5

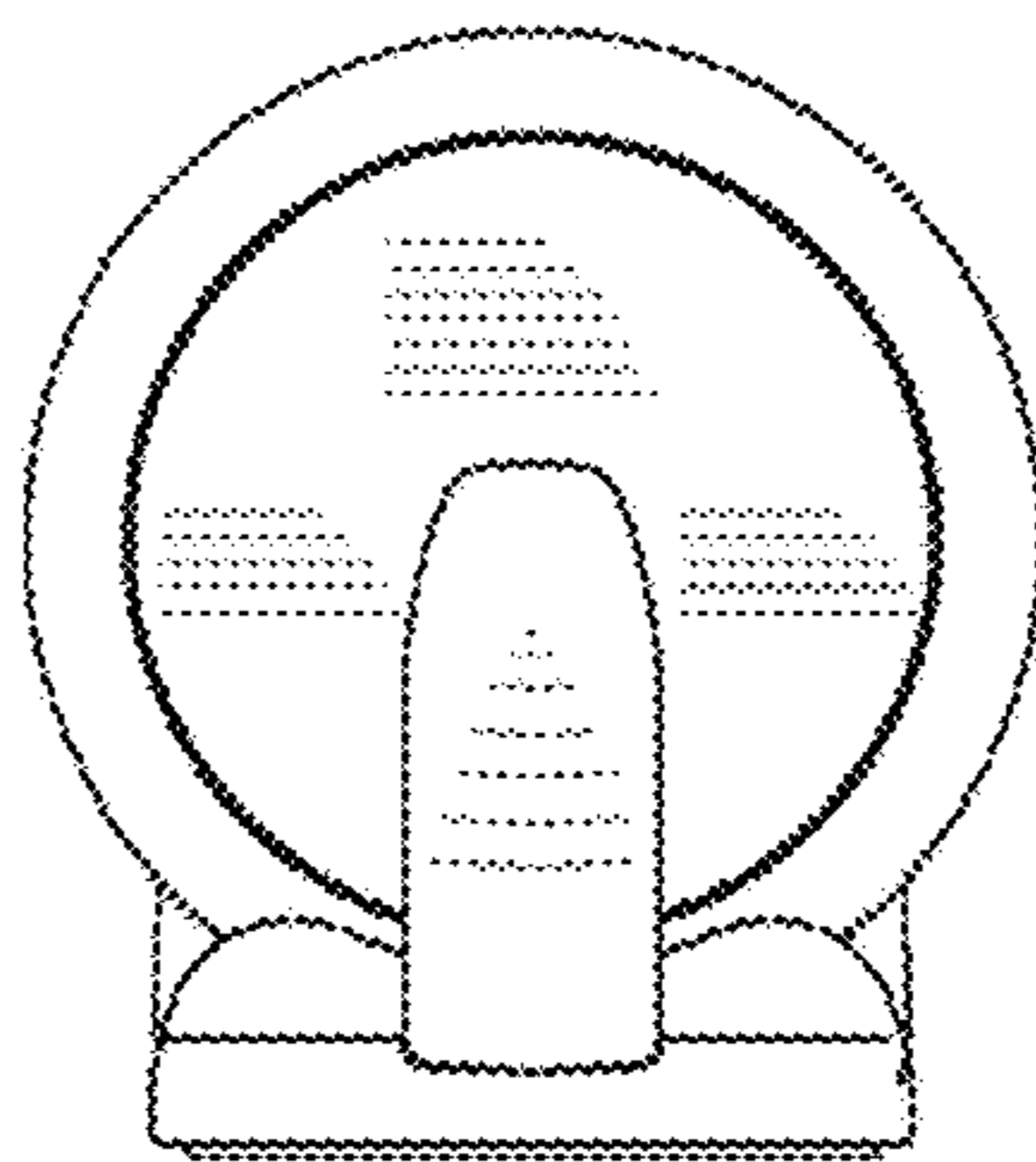


Fig. 6

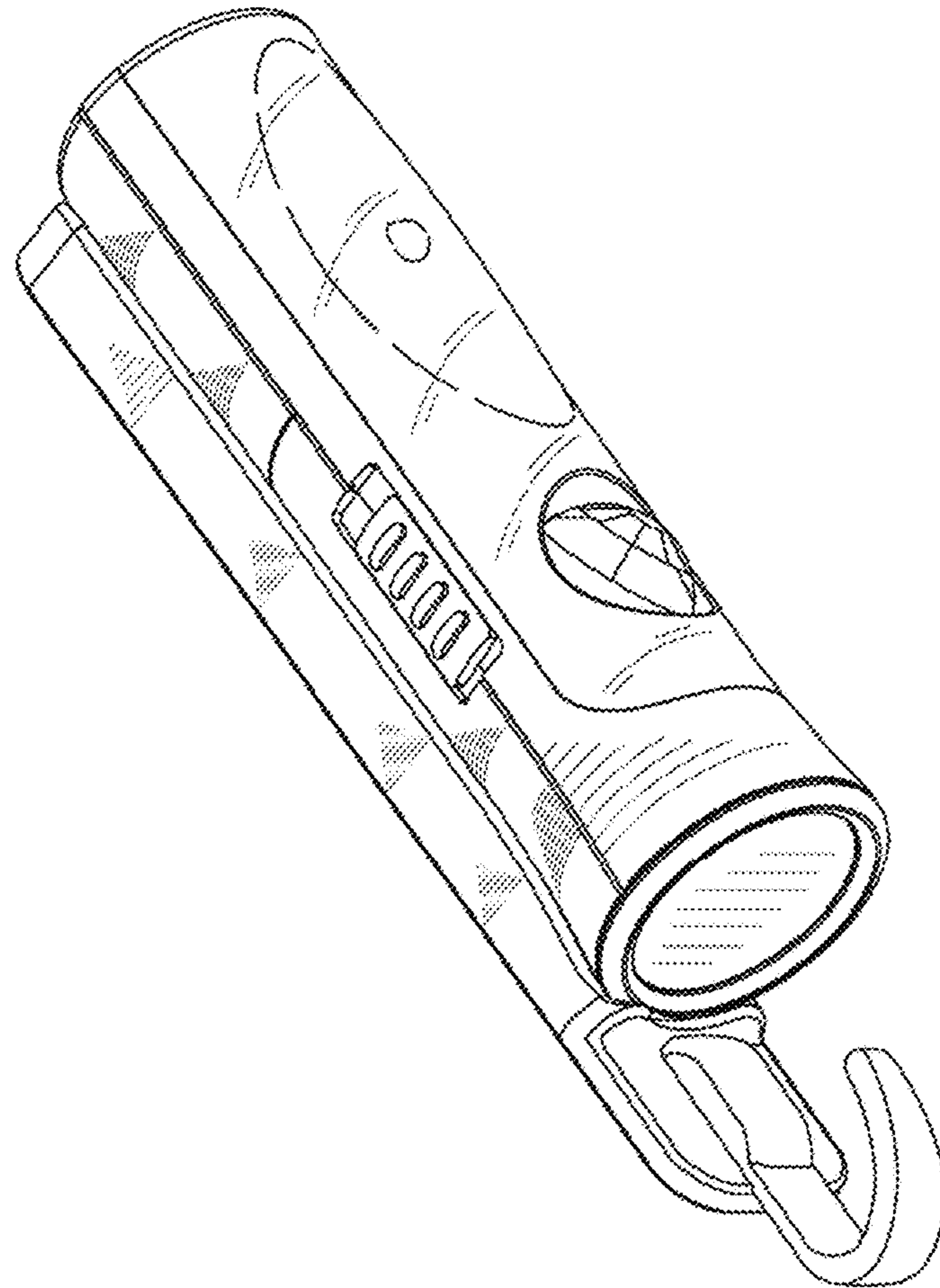


Fig. 7

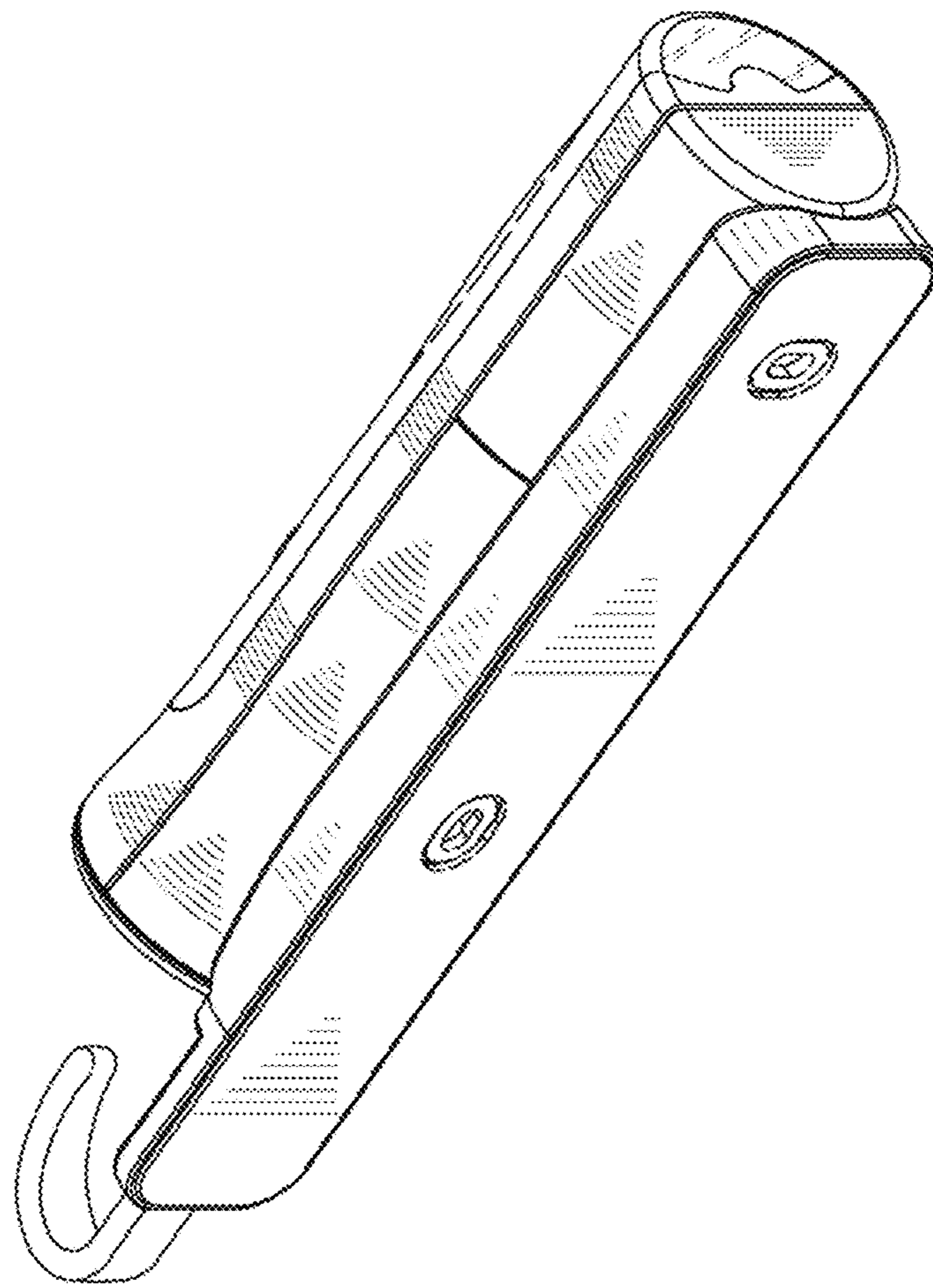


Fig. 8