



US00D866822S

(12) **United States Design Patent**  
**He**

(10) **Patent No.:** **US D866,822 S**

(45) **Date of Patent:** **\*\* Nov. 12, 2019**

(54) **TRUCK HEADLIGHT**

(71) Applicant: **Ningbo Haichen Auto Parts CO., LTD.**, Ningbo (CN)

(72) Inventor: **Qiyu He**, Ningbo (CN)

(\*\*) Term: **15 Years**

(21) Appl. No.: **29/653,603**

(22) Filed: **Jun. 16, 2018**

(30) **Foreign Application Priority Data**

Apr. 12, 2018 (CN) ..... 2018 3 0148604

(51) **LOC (12) Cl.** ..... **26-06**

(52) **U.S. Cl.**  
USPC ..... **D26/28**

(58) **Field of Classification Search**

USPC ..... D26/28-36, 139

CPC ..... F21S 48/00; F21S 48/10; F21S 48/115;  
F21S 48/225; F21S 48/1233; F21S  
48/1266; F21S 48/1388; F21S 48/2268;  
F21V 21/04; B60Q 9/13; B60Q 9/135;  
B60Q 9/1375

See application file for complete search history.

(56) **References Cited**

**U.S. PATENT DOCUMENTS**

D590,527 S \* 4/2009 Pfeiffer ..... D26/28  
D605,792 S \* 12/2009 Weil ..... D26/28

D742,046 S \* 10/2015 Hwang ..... D26/28  
D755,421 S \* 5/2016 Alemany ..... D26/28  
D787,721 S \* 5/2017 Lai ..... D26/28  
D794,852 S \* 8/2017 Hwang ..... D26/28  
D796,092 S \* 8/2017 Ito ..... D26/28  
D797,324 S \* 9/2017 Lai ..... D26/28

\* cited by examiner

*Primary Examiner* — Marcus A Jackson

(74) *Attorney, Agent, or Firm* — W&K IP

(57) **CLAIM**

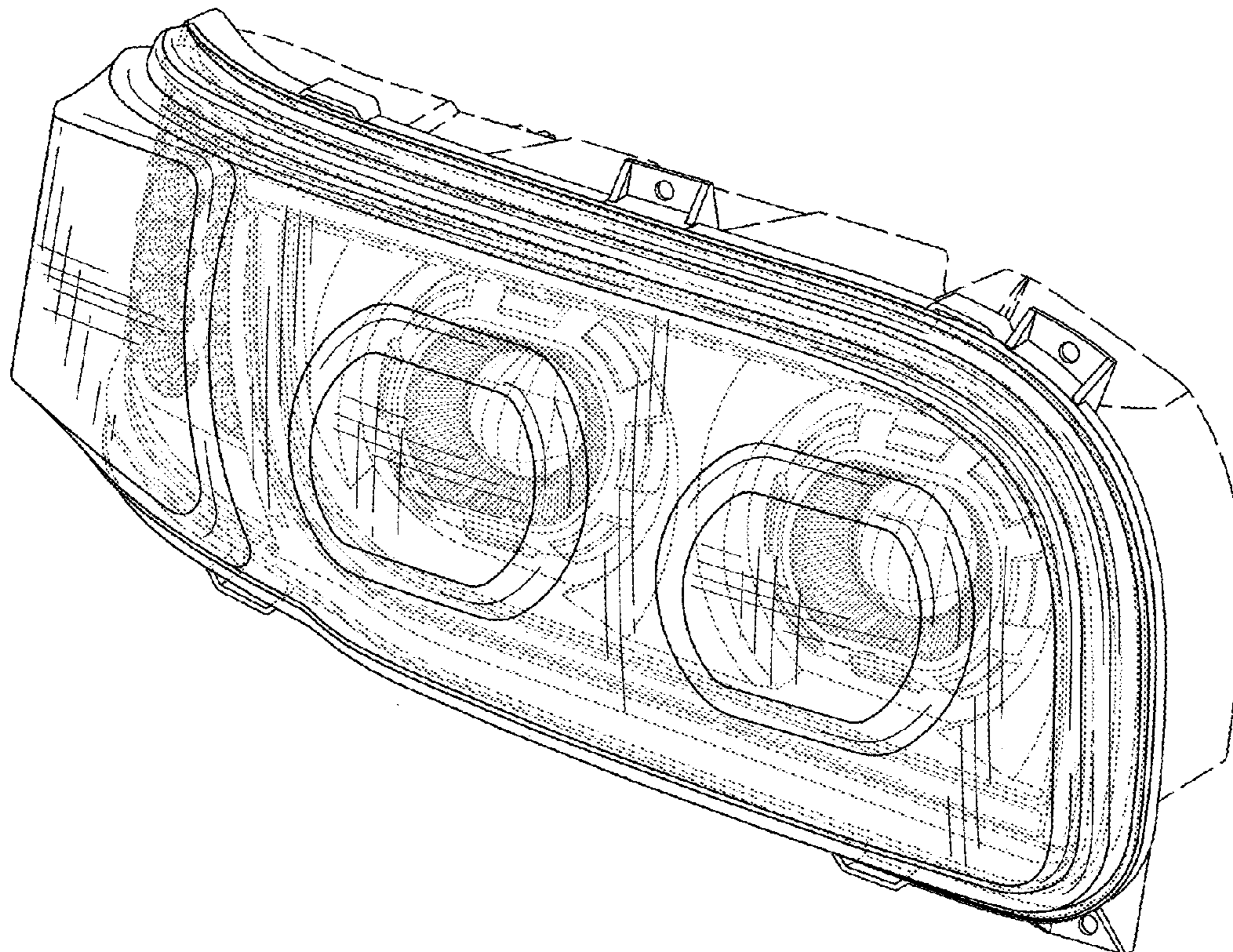
The ornamental design for a truck headlight, as shown and described.

**DESCRIPTION**

FIG. 1 is an exploded perspective view of a truck headlight; FIG. 2 is a perspective view thereof, with the lens removed; FIG. 3 is a perspective view thereof; FIG. 4 is a front view thereof, with the lens removed; FIG. 5 is a front view thereof; FIG. 6 is a front view thereof, of the lens; FIG. 7 is a rear view thereof; FIG. 8 is a left view thereof; FIG. 9 is a right view thereof; FIG. 10 is a top view thereof; and, FIG. 11 is a bottom view thereof.

The dashed or broken lines shown in the drawings depict portions of the truck headlight in which the design is embodied that form no part of the claimed design.

**1 Claim, 11 Drawing Sheets**



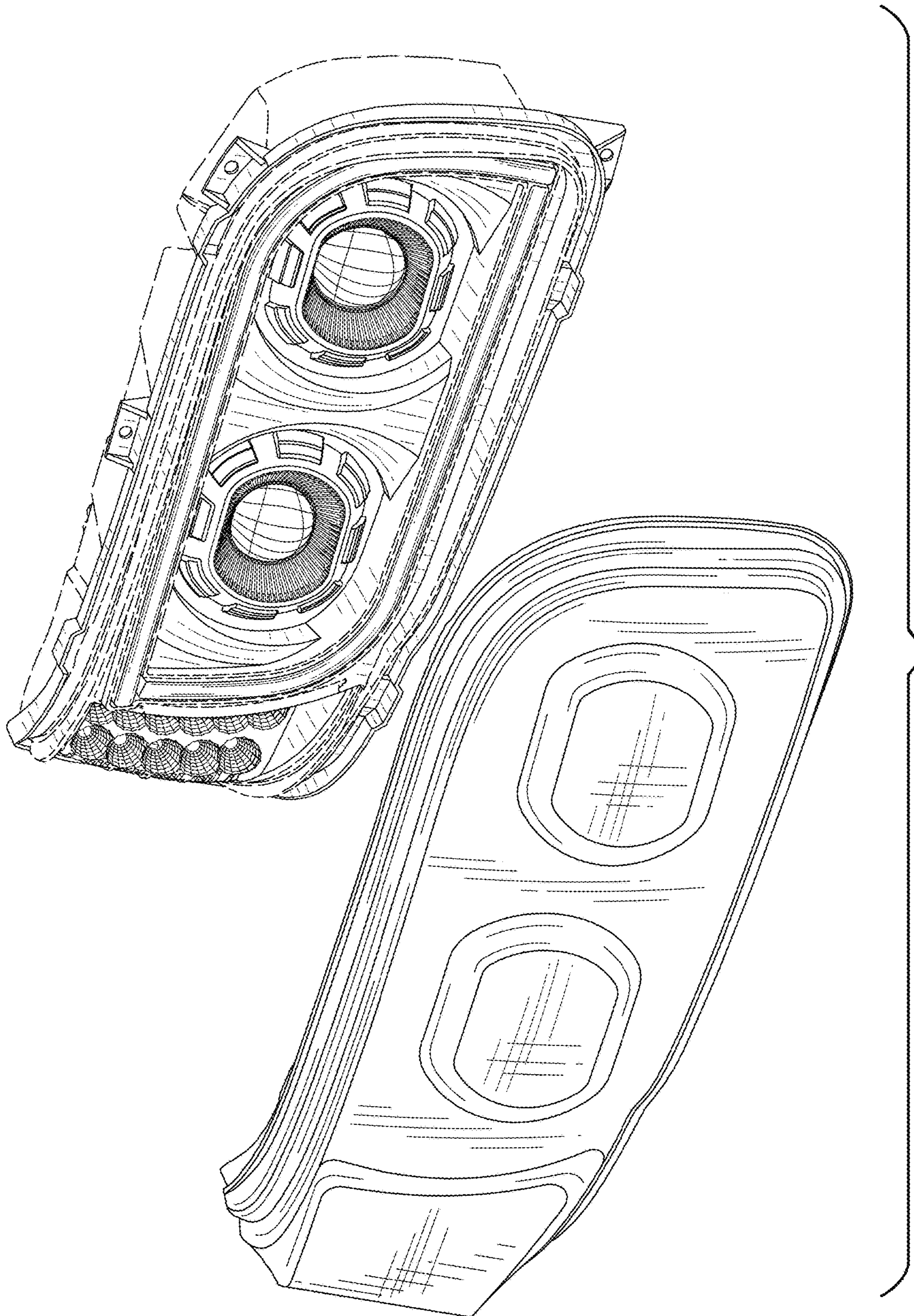


FIG. 1

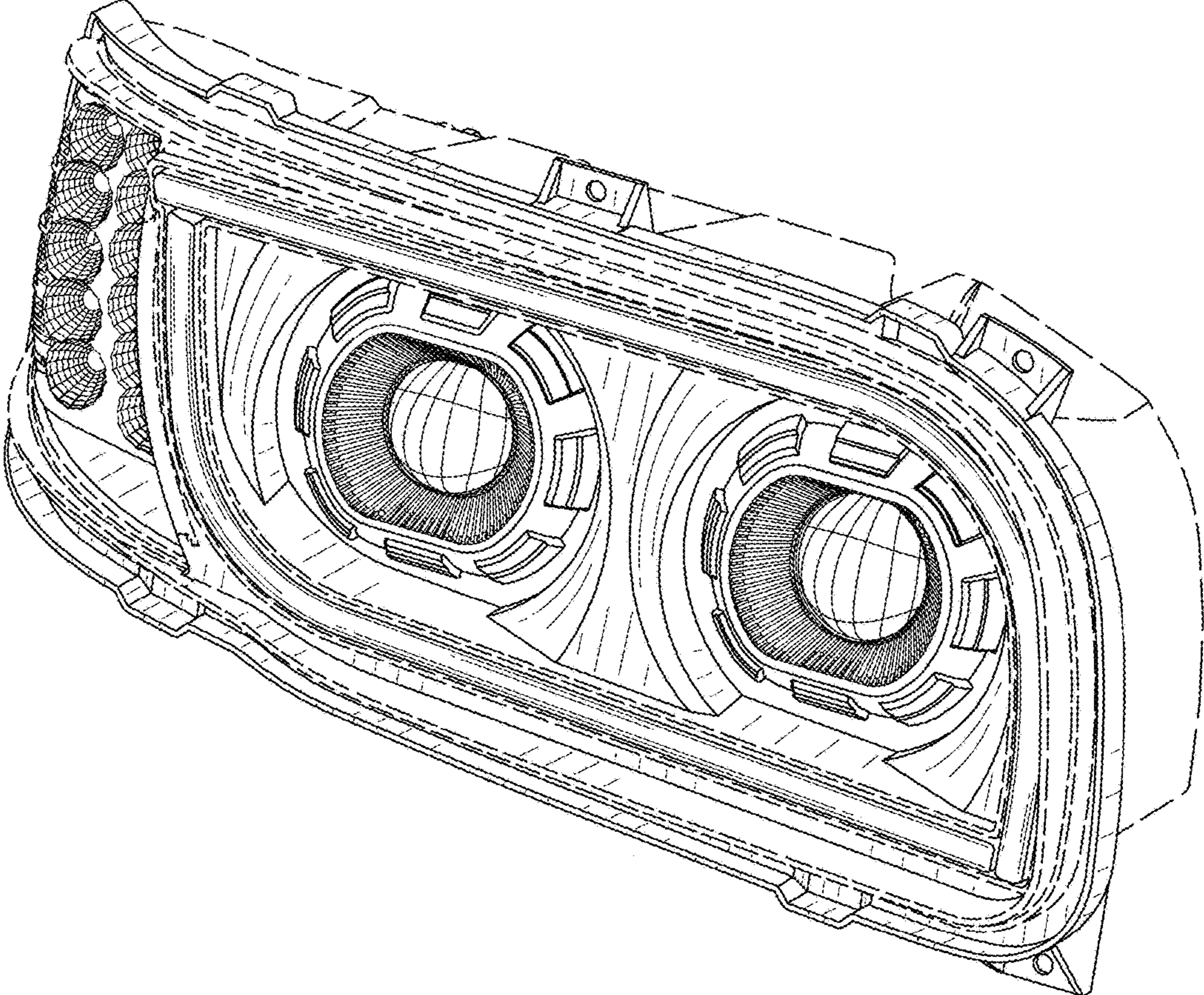


FIG. 2

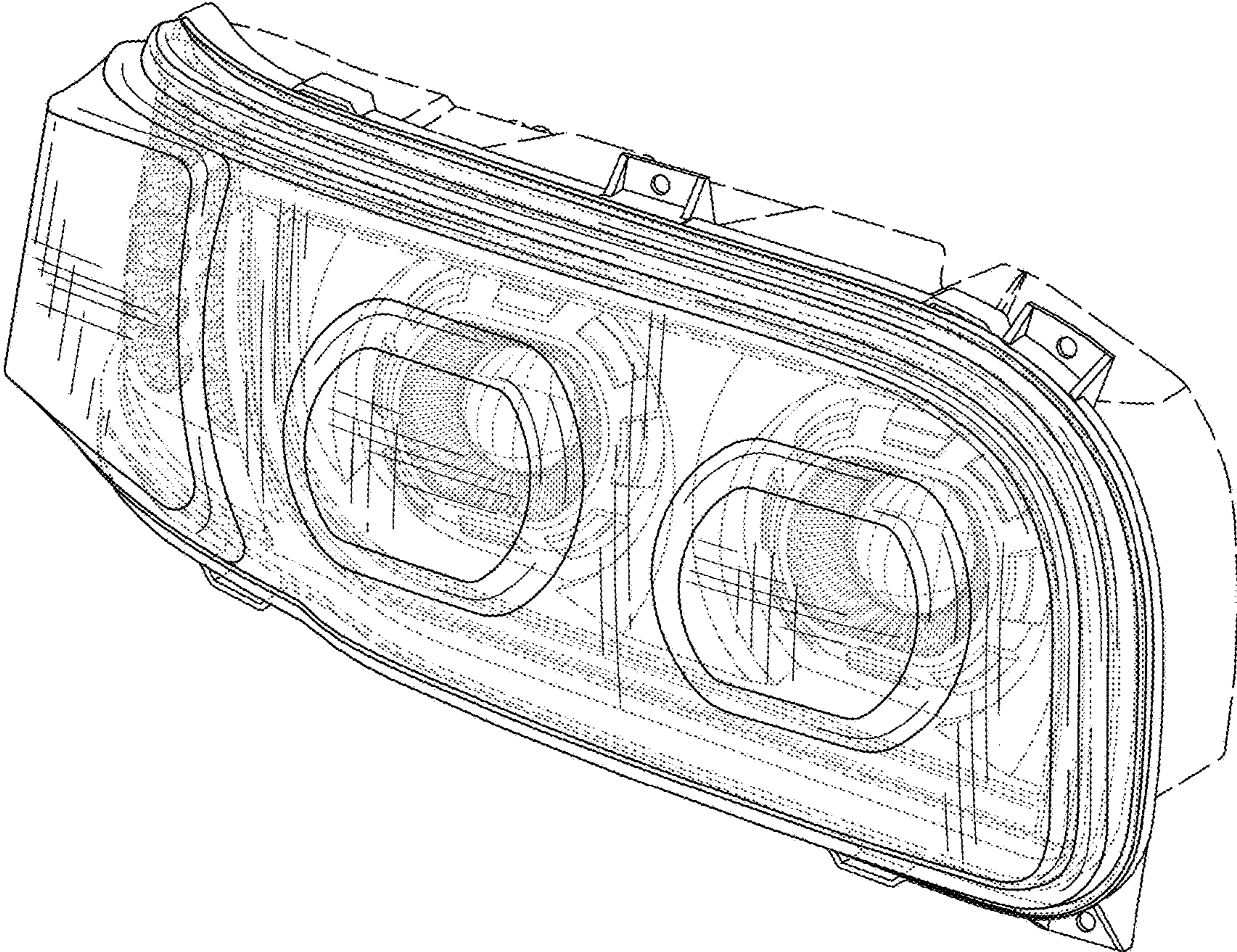


FIG. 3

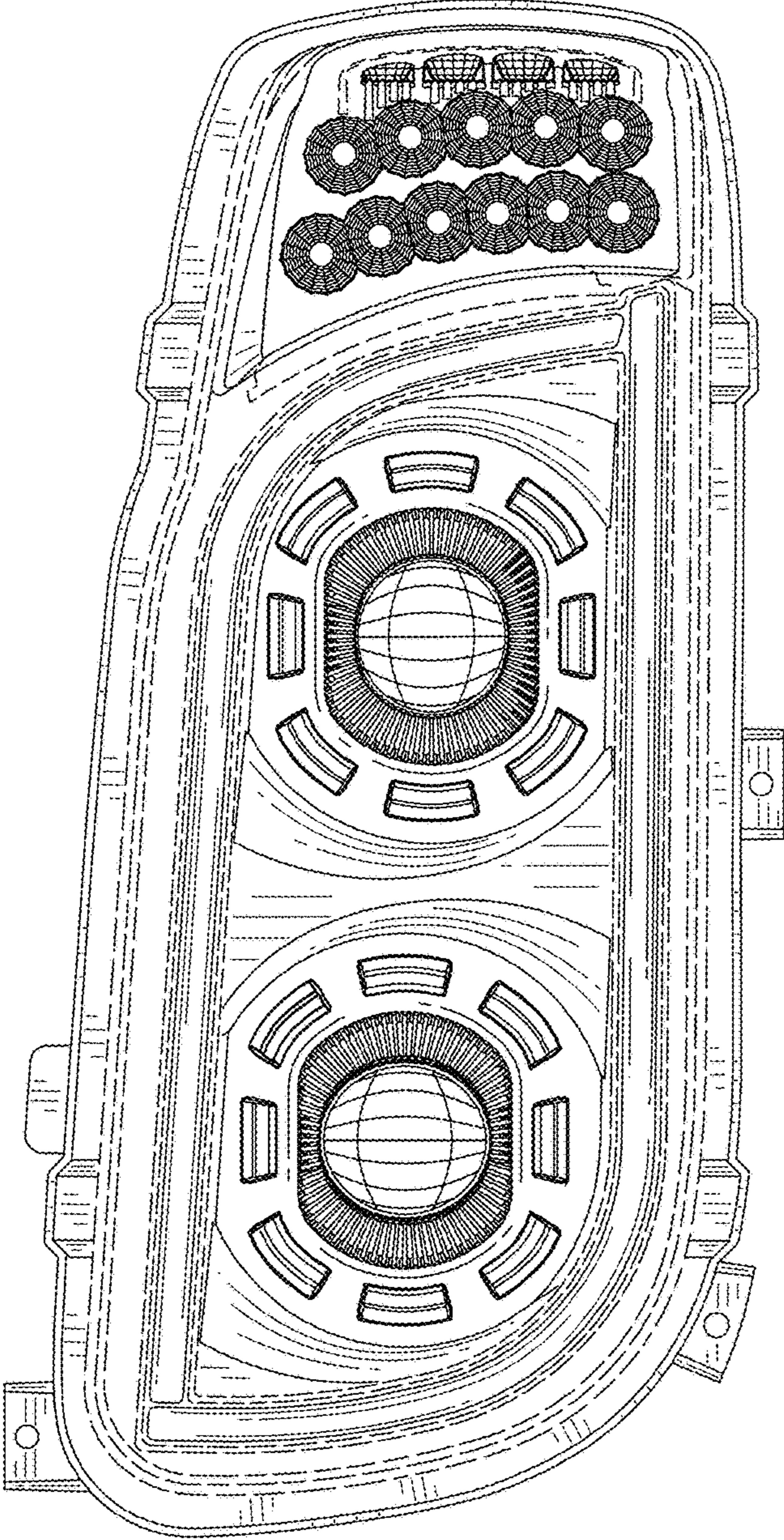


FIG. 4

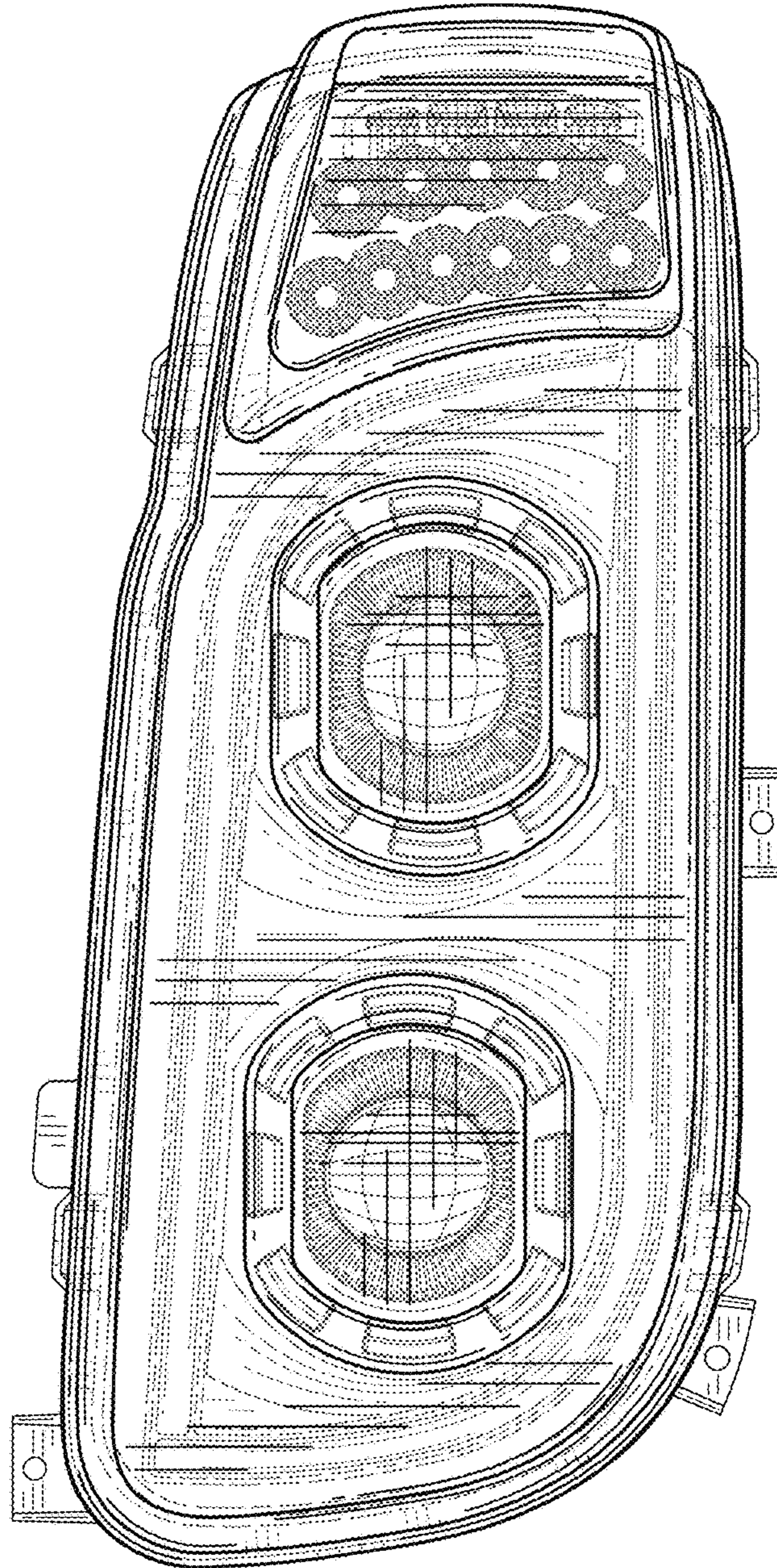


FIG. 5

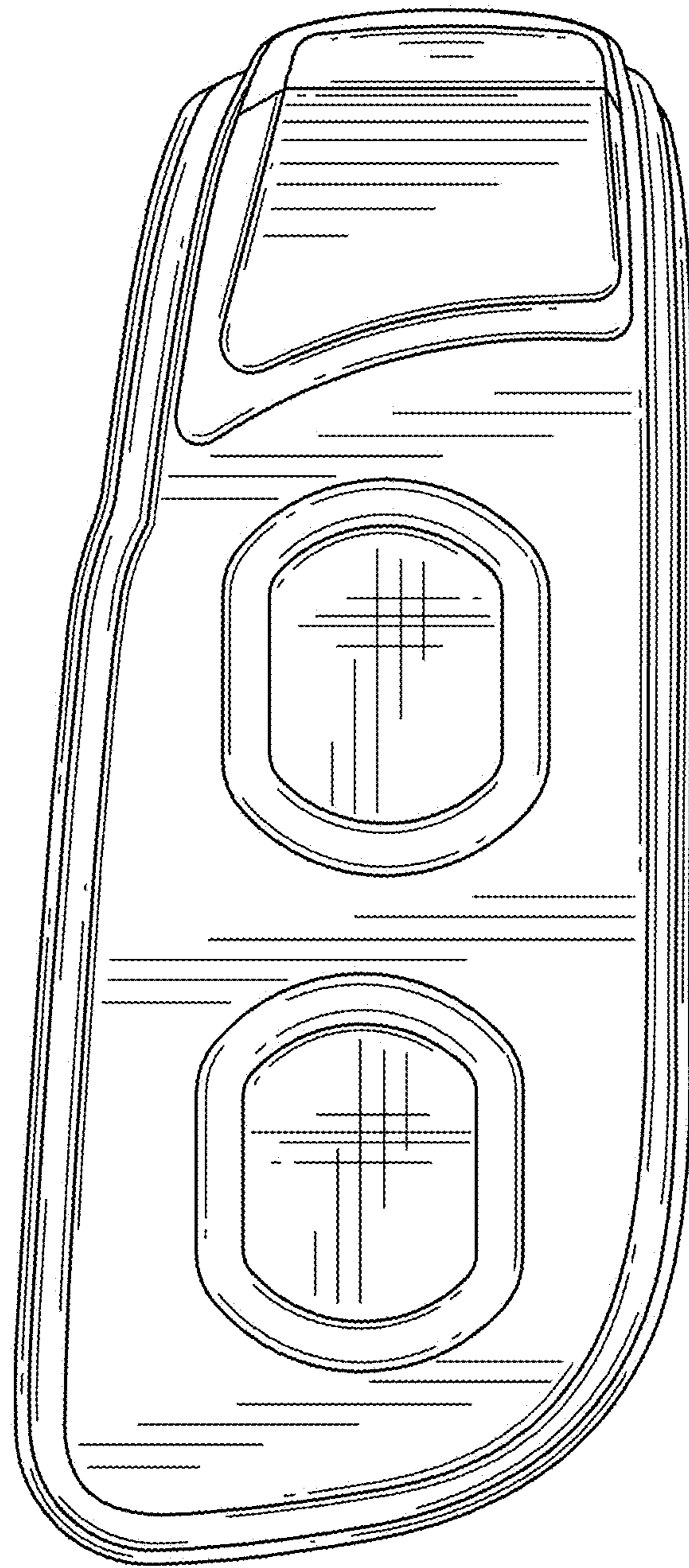


FIG. 6

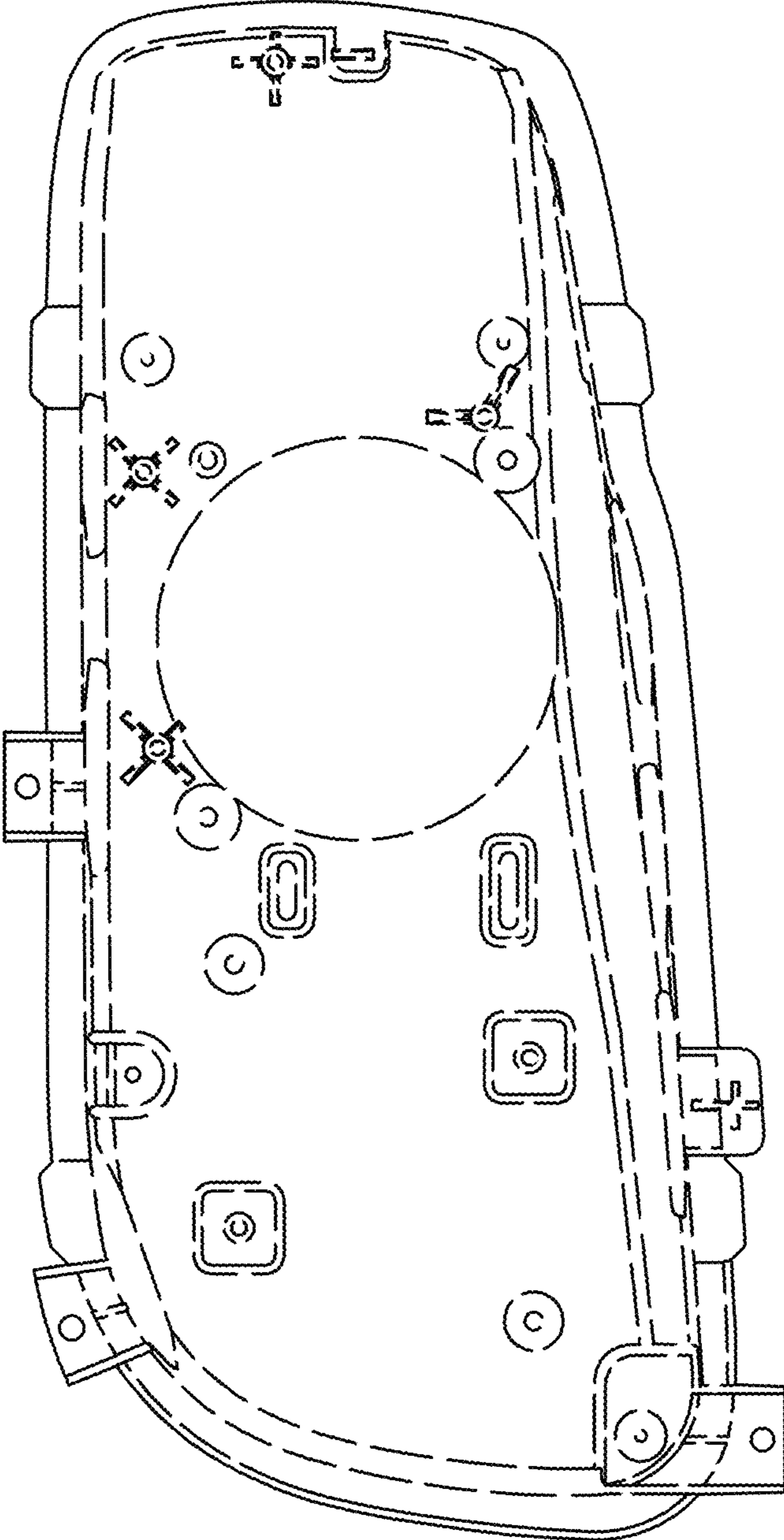


FIG. 7



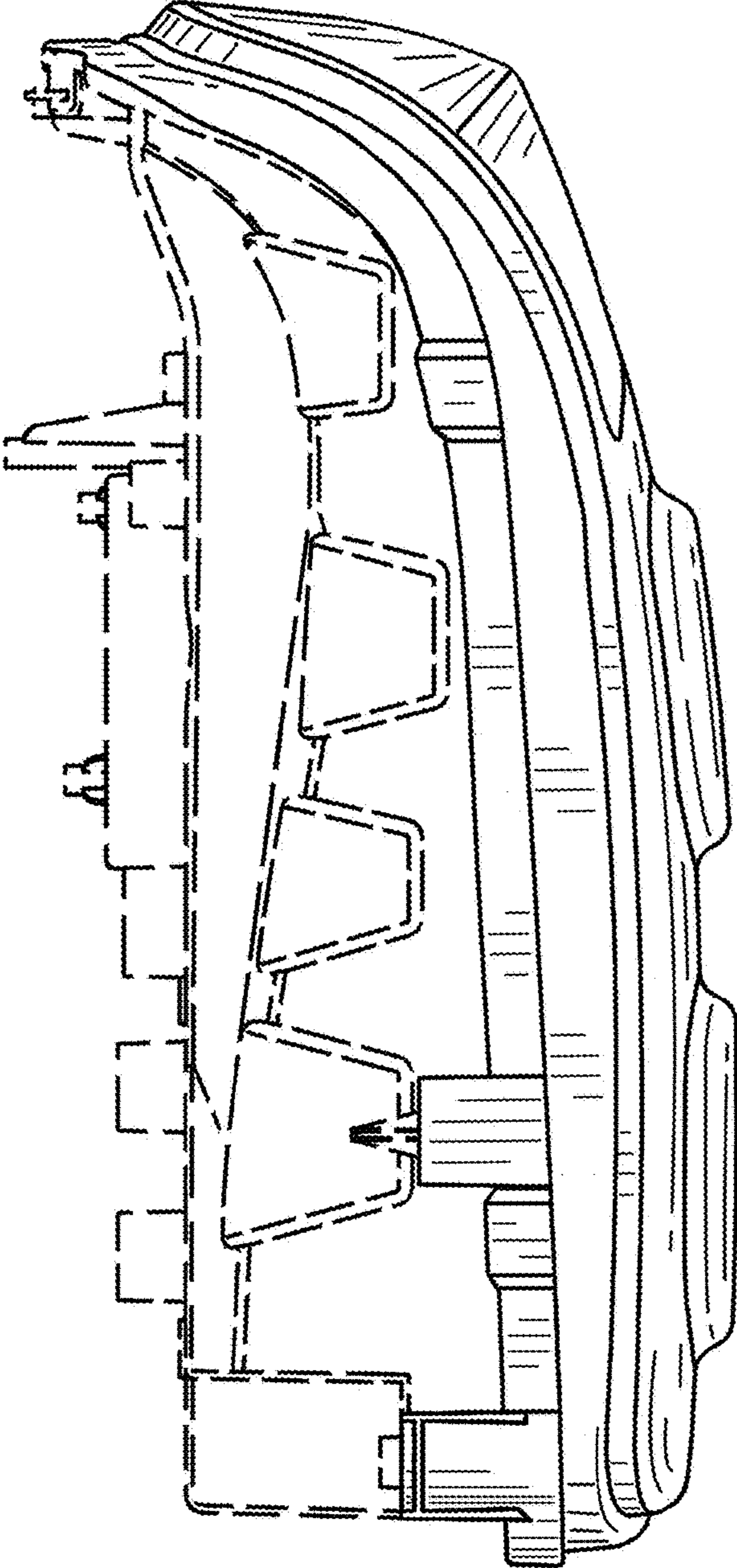


FIG. 8

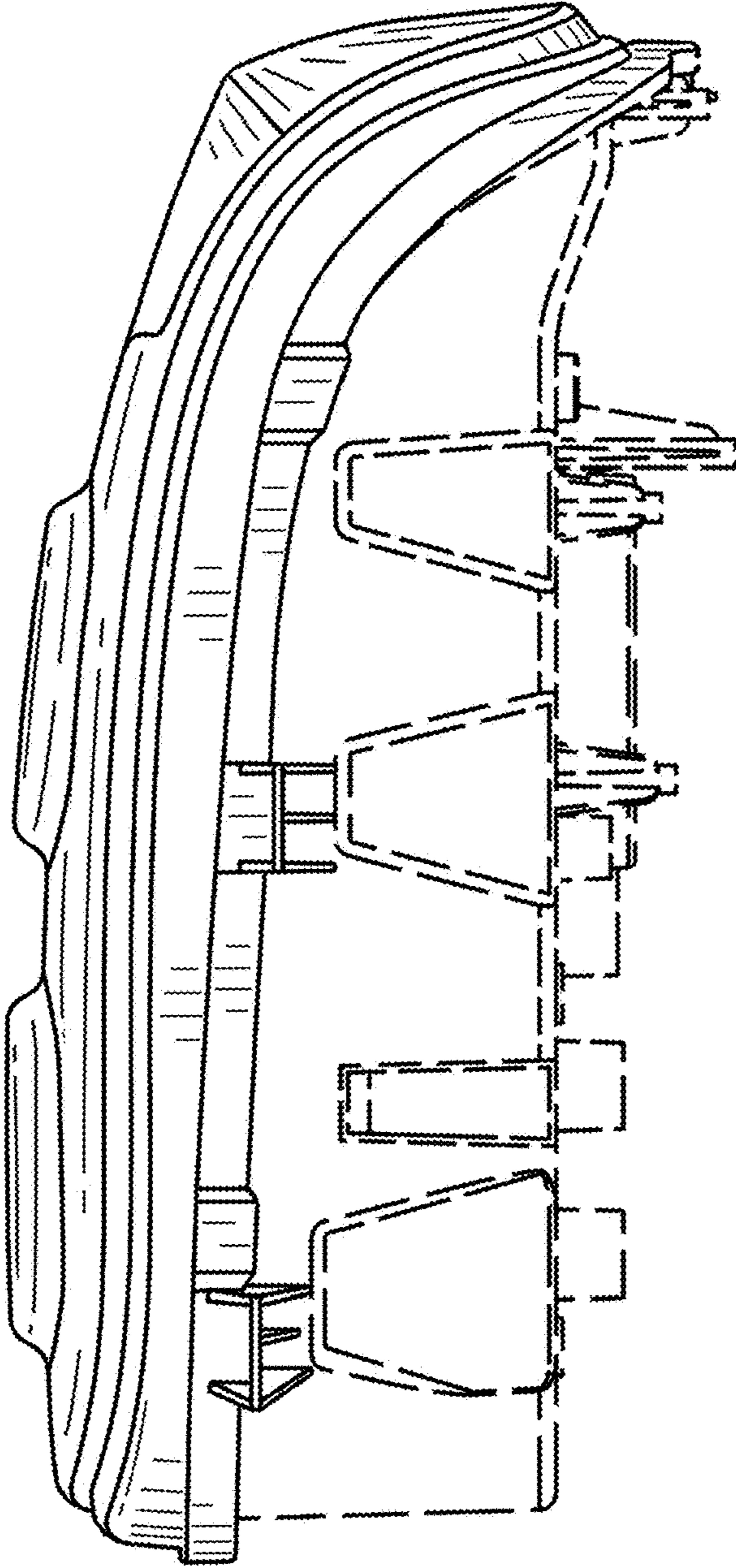


FIG. 9

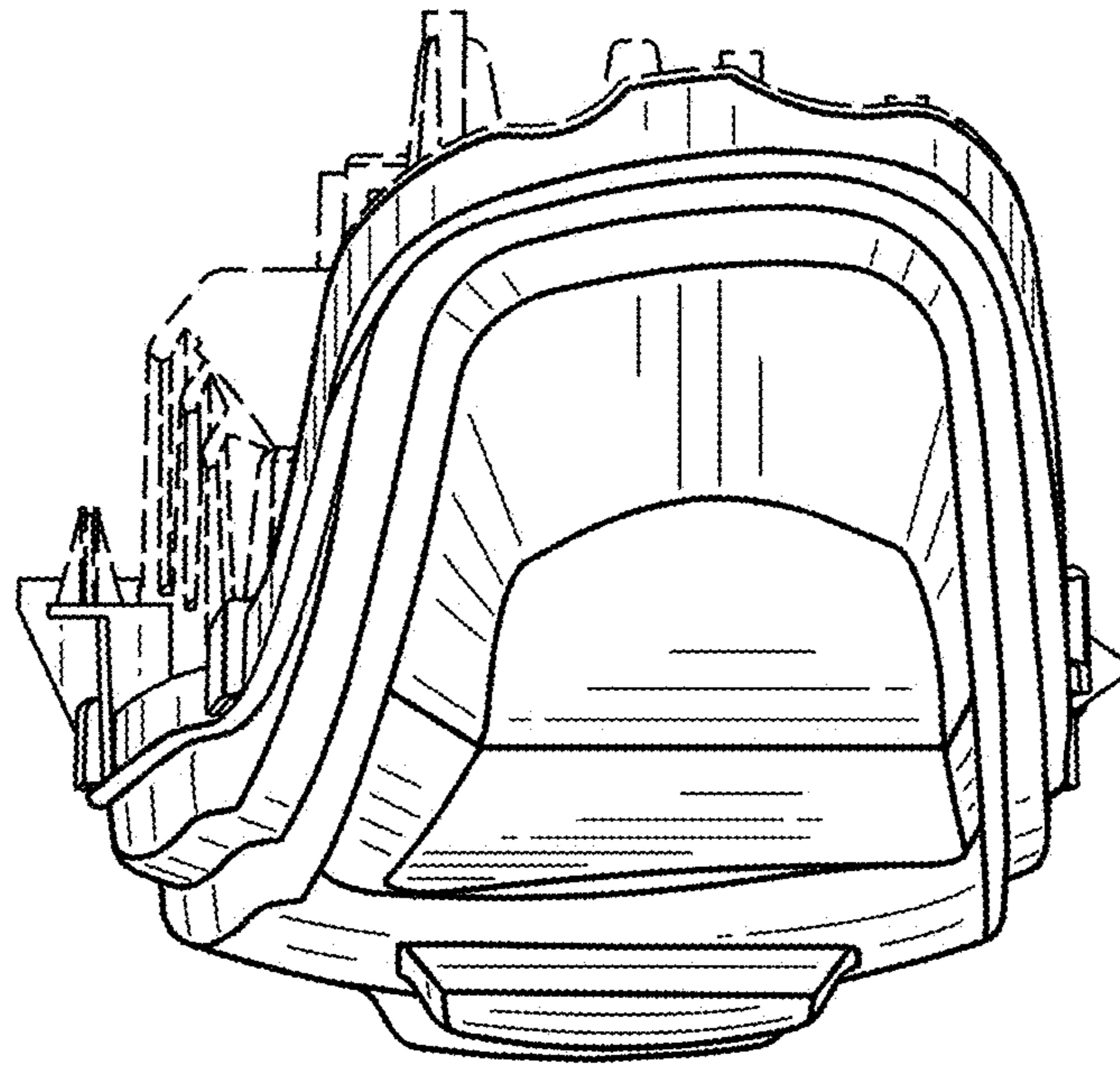


FIG. 10

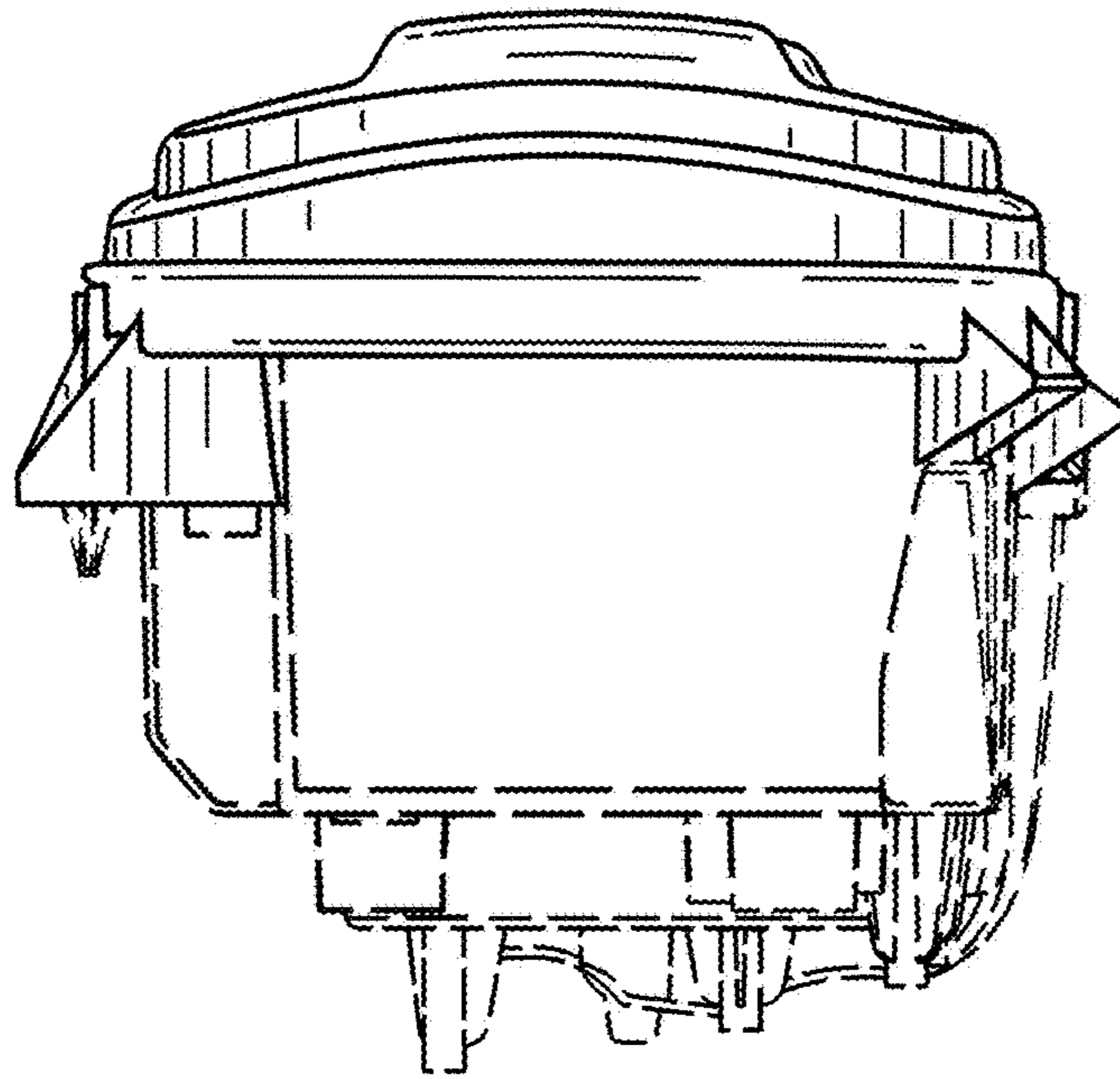


FIG. 11