



US00D866821S

(12) **United States Design Patent** (10) **Patent No.:** **US D866,821 S**  
**Hannemann** (45) **Date of Patent:** **\*\* Nov. 12, 2019**

(54) **TAILLIGHT FOR A VEHICLE**  
(71) Applicant: **Bayerische Motoren Werke Aktiengesellschaft, Munich (DE)**  
(72) Inventor: **Lisa Hannemann, Munich (DE)**  
(73) Assignee: **Bayerische Motoren Werke Aktiengesellschaft, Munich (DE)**

D819,847 S \* 6/2018 Woodhouse ..... D26/28  
D825,083 S \* 8/2018 Perkins ..... D26/28  
D834,227 S \* 11/2018 Lee ..... D26/28  
D846,779 S \* 4/2019 Hwang ..... D26/28  
D847,388 S \* 4/2019 Bernardi ..... D26/28  
D848,648 S \* 5/2019 Thomas ..... D26/28

(\*\*) Term: **15 Years**  
(21) Appl. No.: **29/650,346**

**FOREIGN PATENT DOCUMENTS**

WO WO DM/069951 10/2008  
WO WO DM/099882 8/2018

(22) Filed: **Jun. 6, 2018**  
(30) **Foreign Application Priority Data**

\* cited by examiner

*Primary Examiner* — Angela J Lee  
(74) *Attorney, Agent, or Firm* — Crowell & Moring LLP

Dec. 13, 2017 (DE) ..... 40 2017 101 347

(57) **CLAIM**

The ornamental design for a taillight for a vehicle, as shown and described.

(51) **LOC (12) Cl.** ..... **26-07**

**DESCRIPTION**

(52) **U.S. Cl.**  
USPC ..... **D26/28**

This application contains subject matter related to the following co-pending U.S. design patent applications:

(58) **Field of Classification Search**  
USPC ..... D26/28, 29, 30, 31, 32, 33, 34, 35, 36;  
362/459-468, 475-478, 485-487  
CPC ..... F21S 48/00; F21S 48/10; F21S 48/115;  
F21S 48/225; F21S 48/1233; F21S  
48/1266; F21S 48/1388; F21S 48/2268;  
F21V 21/04

Application Ser. No. 29/637,232, filed Feb. 15, 2018 and entitled "Taillight for a Vehicle";

Application Ser. No. 29/650,333, filed herewith and entitled "Vehicle, Toy, and/or Replicas Thereof"; and

Application Ser. No. 29/650,345, filed herewith and entitled "Taillight for a Vehicle".

See application file for complete search history.

FIG. 1 is a front view of a taillight for a vehicle according to the design;

FIG. 2 is a left, front perspective view thereof;

FIG. 3 is a right, front perspective view thereof;

FIG. 4 is a left side view thereof;

FIG. 5 is a right side view thereof;

FIG. 6 is a top view thereof;

FIG. 7 is a bottom view thereof; and,

FIG. 8 is a rear view thereof.

(56) **References Cited**

**U.S. PATENT DOCUMENTS**

D593,690 S 6/2009 Habib  
D700,982 S \* 3/2014 Kim ..... D26/28  
D720,872 S \* 1/2015 Lim ..... D26/28  
D794,851 S \* 8/2017 Youn ..... D26/28  
D810,974 S \* 2/2018 Sato ..... D26/28

**1 Claim, 8 Drawing Sheets**





Fig. 1

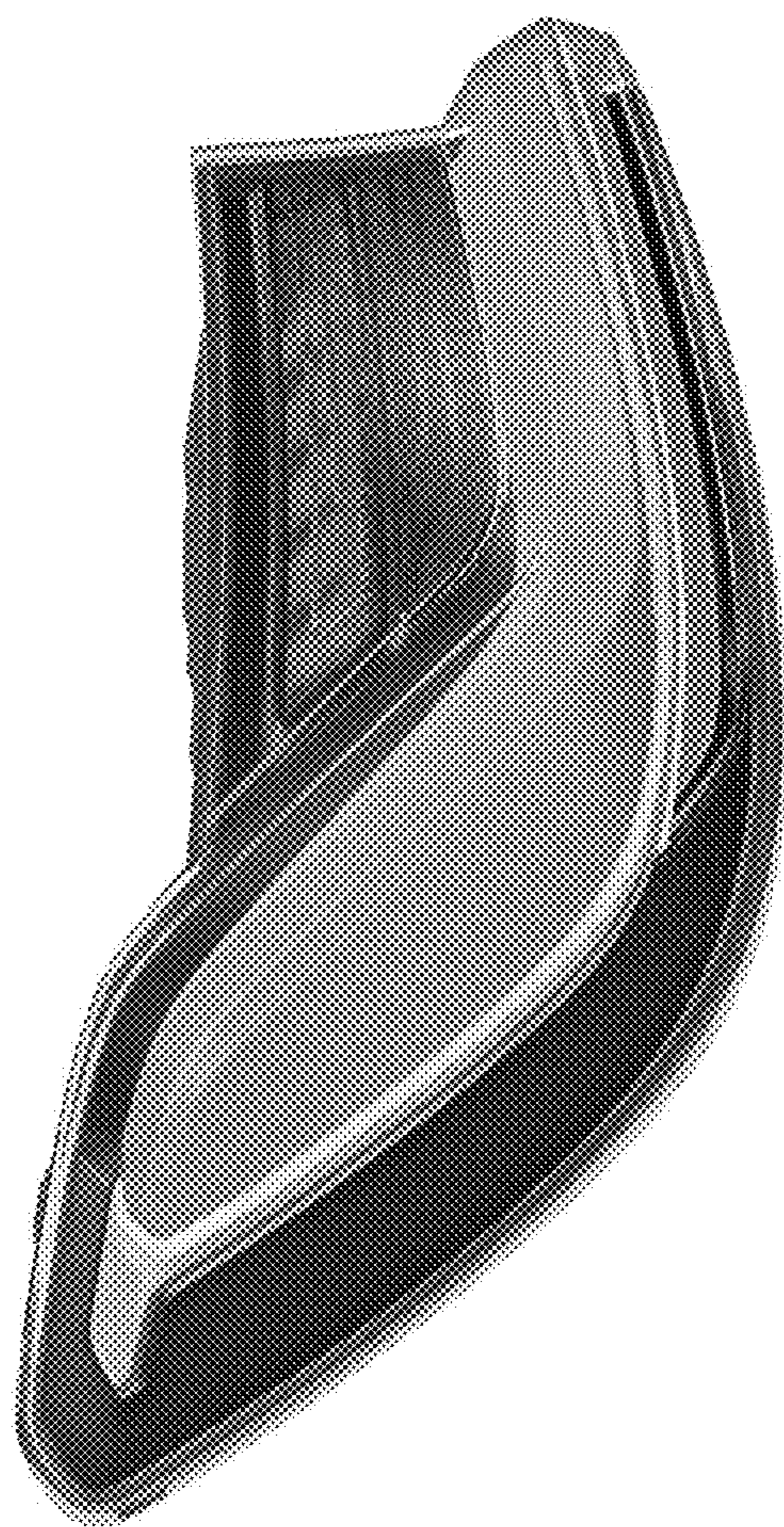


Fig. 2

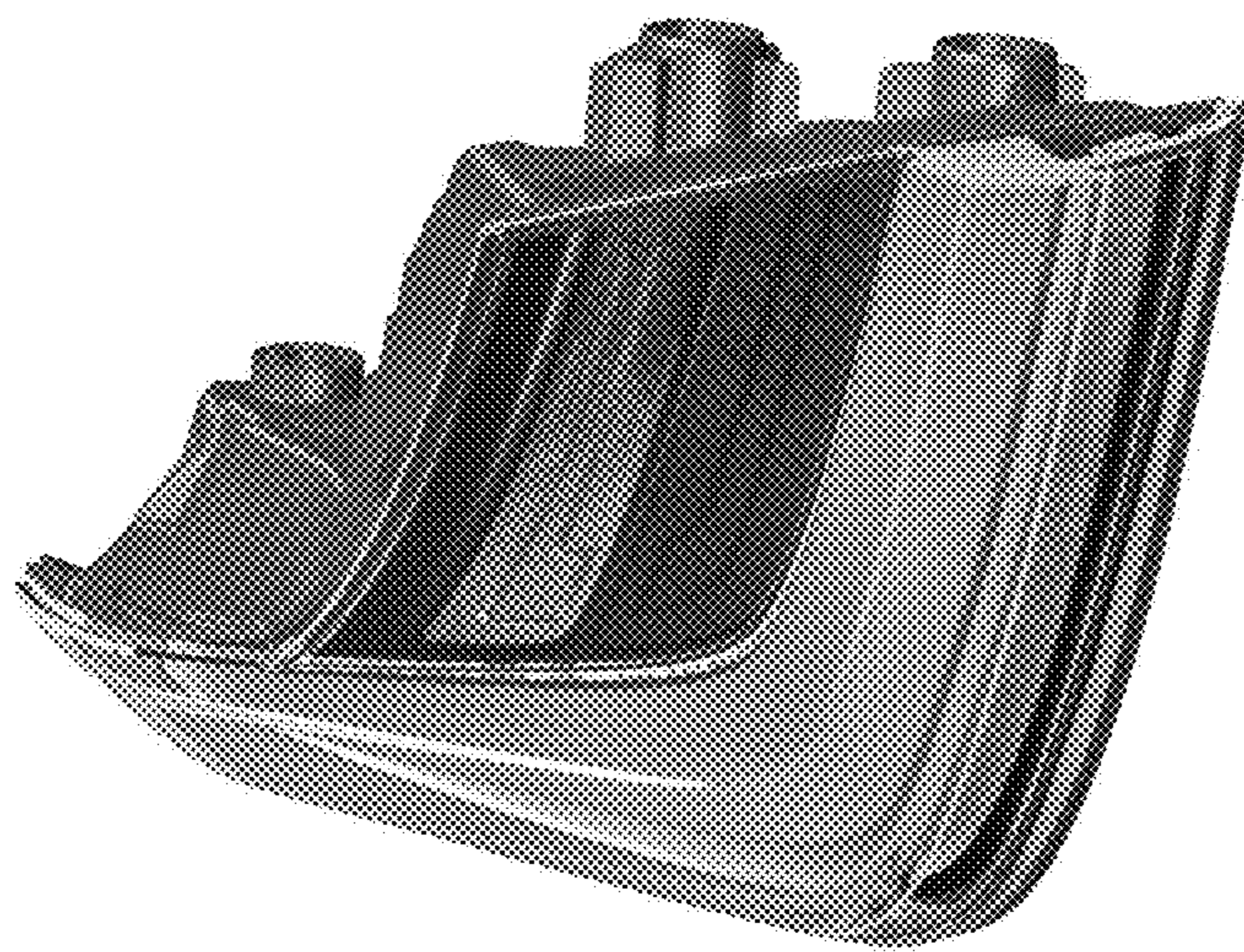


Fig. 3

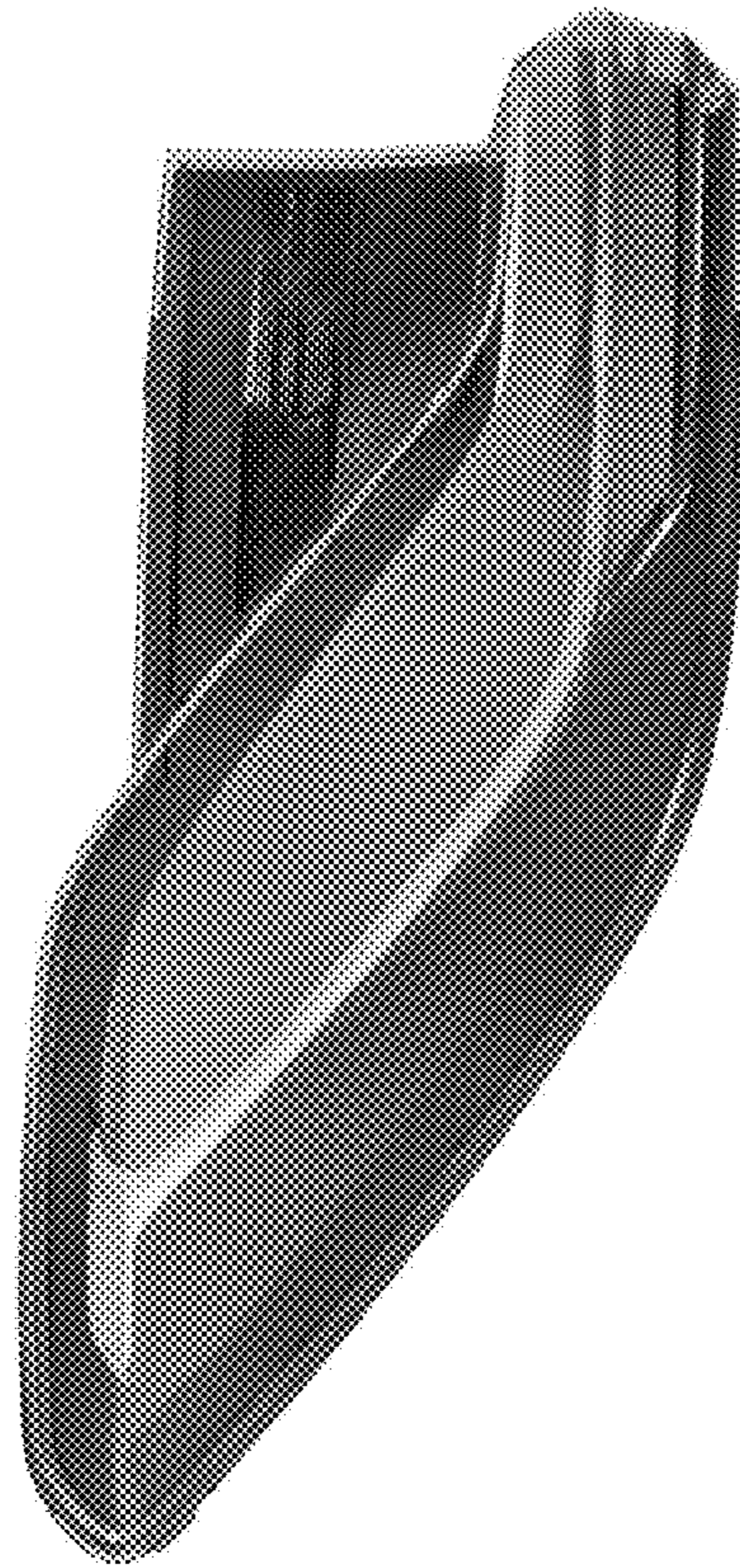


Fig. 4

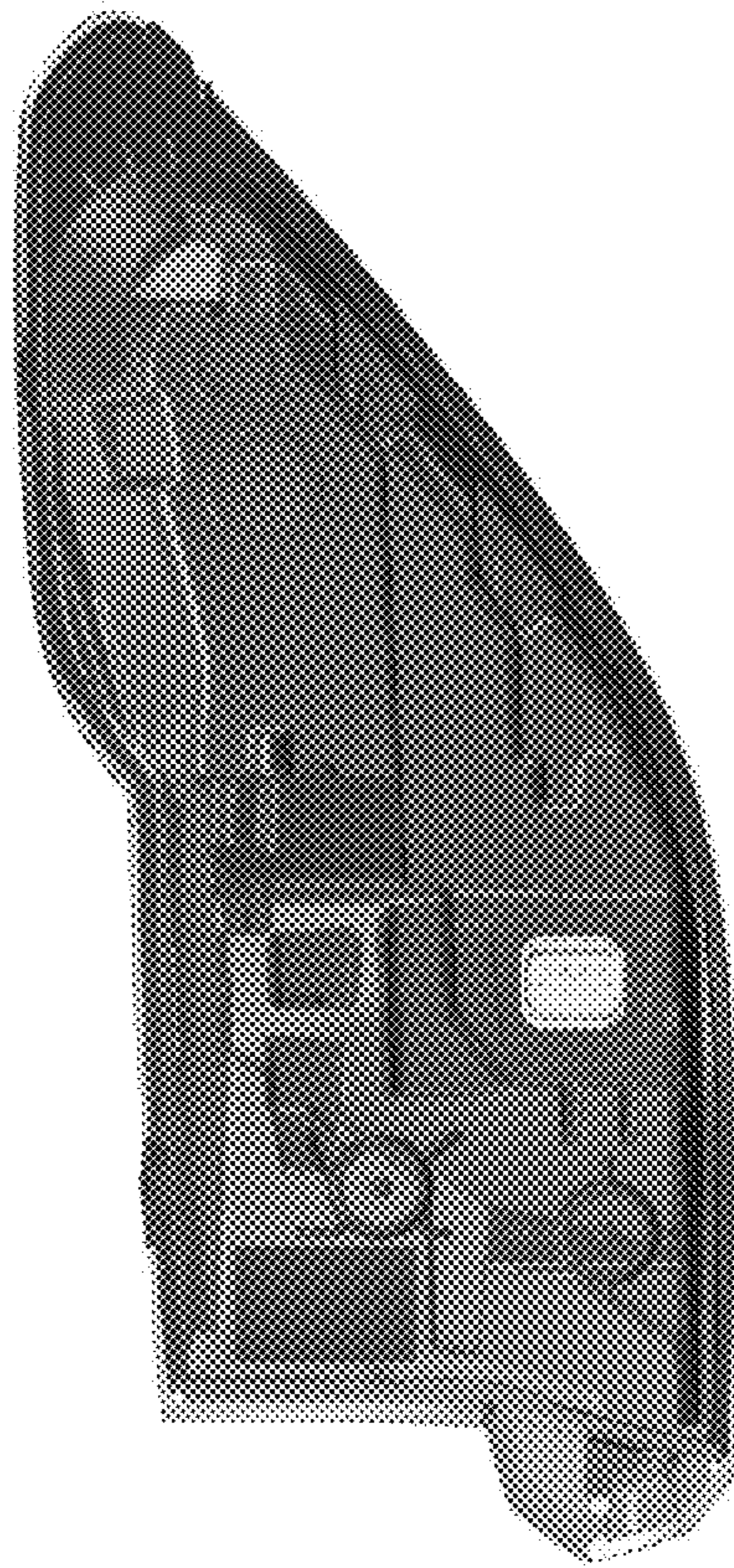


Fig. 5

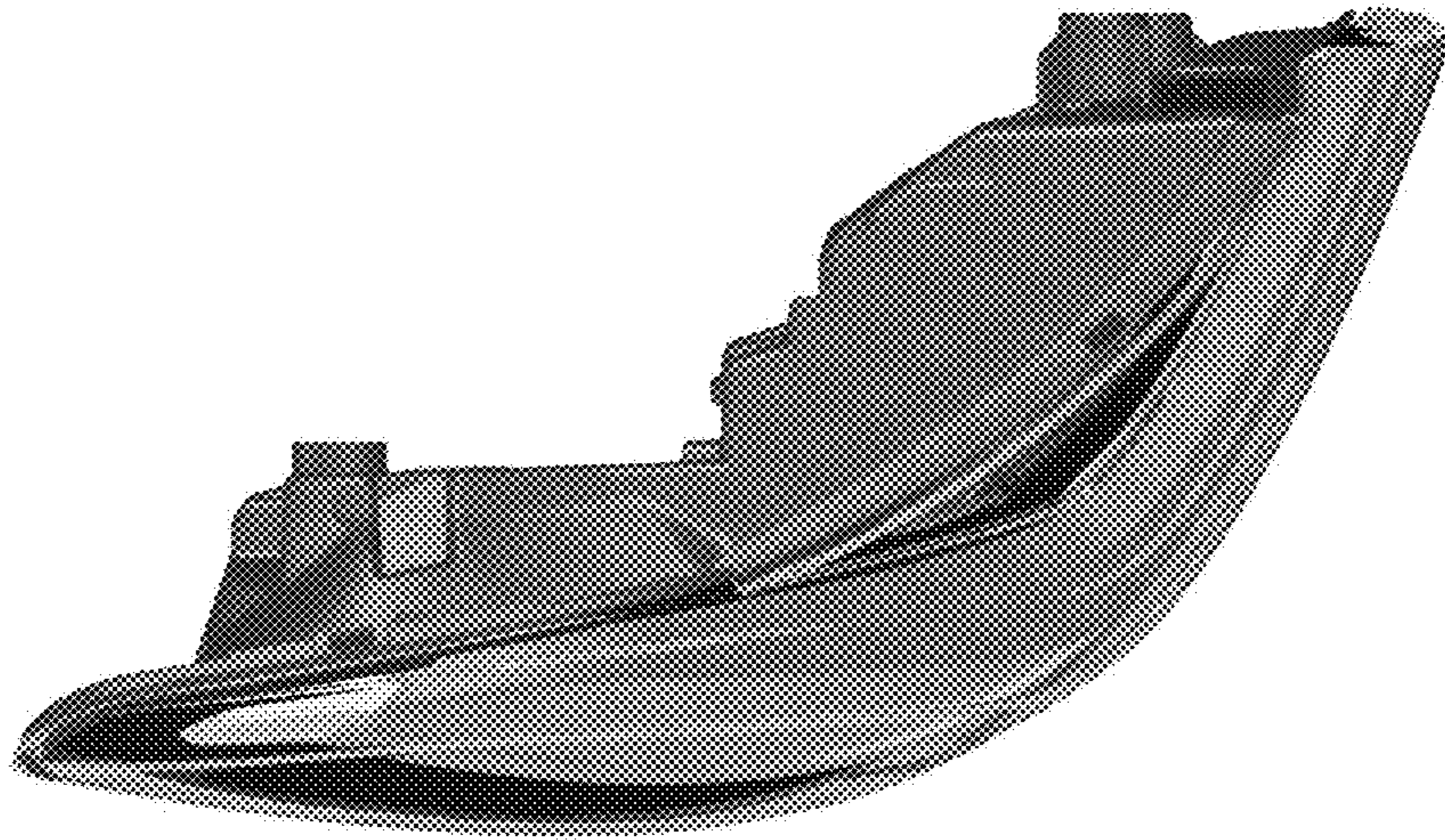


Fig. 6

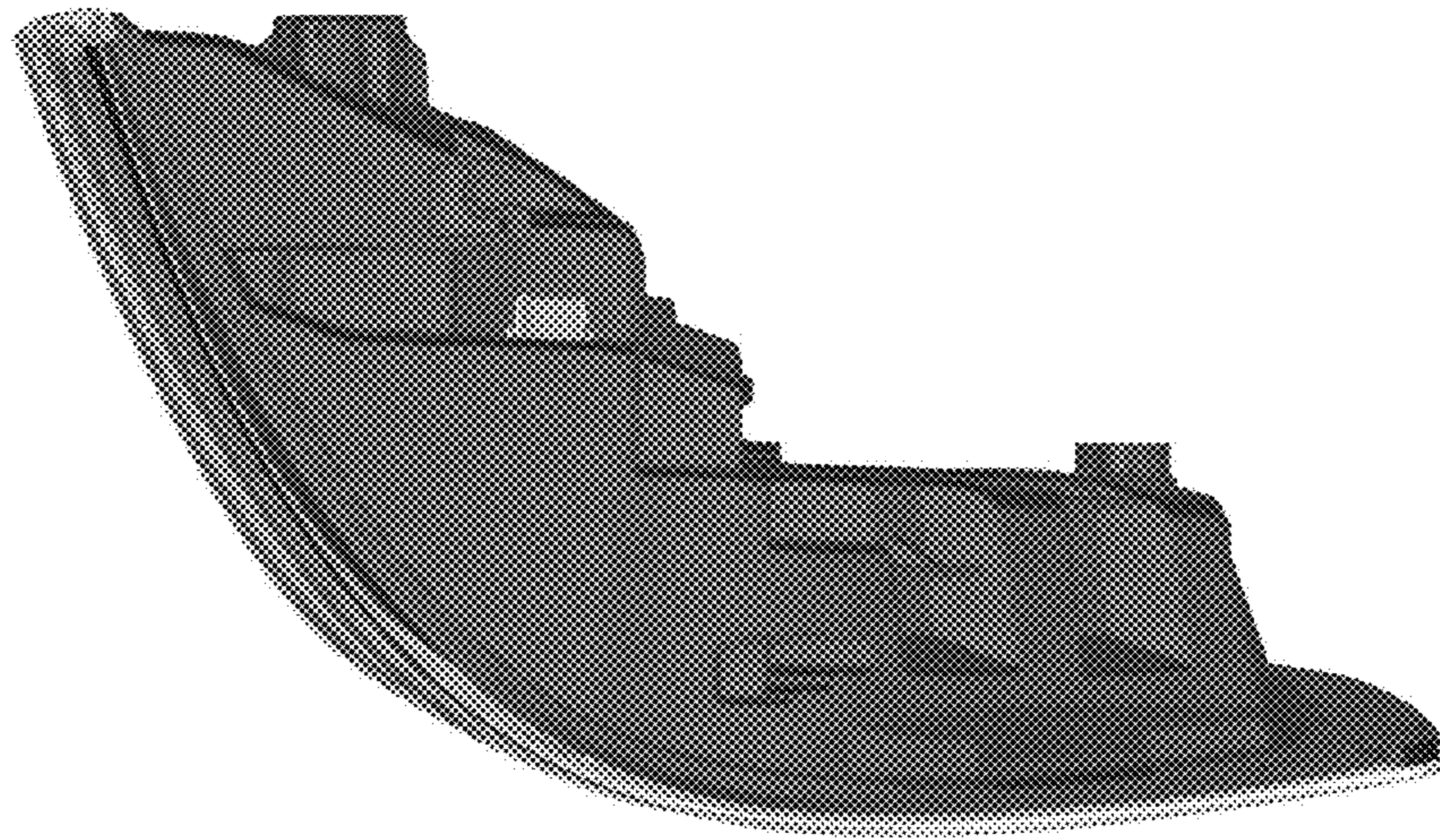


Fig. 7



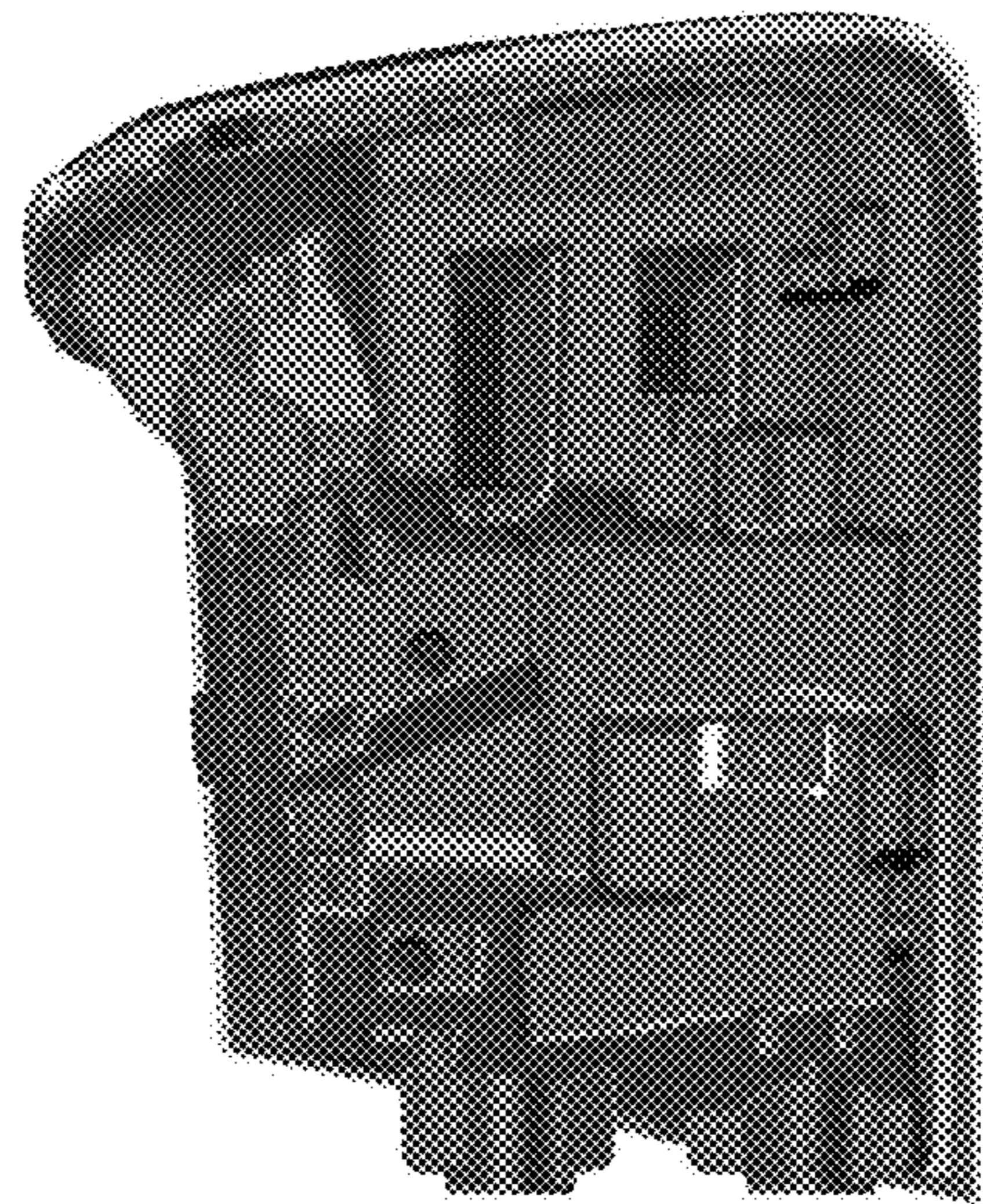


Fig. 8