



US00D866819S

(12) **United States Design Patent** (10) **Patent No.:** **US D866,819 S**  
**Shih** (45) **Date of Patent:** **\*\* Nov. 12, 2019**

(54) **VEHICLE LAMP**  
(71) Applicant: **T.Y.C. BROTHER INDUSTRIAL CO., LTD.**, Tainan (TW)  
(72) Inventor: **Ming-Chih Shih**, Tainan (TW)  
(73) Assignee: **T.Y.C. BROTHER INDUSTRIAL CO., LTD.**, Tainan (TW)  
(\*\*) Term: **15 Years**  
(21) Appl. No.: **29/624,234**  
(22) Filed: **Oct. 31, 2017**  
(51) **LOC (12) Cl.** ..... **26-06**  
(52) **U.S. Cl.**  
USPC ..... **D26/28**  
(58) **Field of Classification Search**  
USPC ..... D12/86, 90-92, 114, 163, 169, 171-173,  
D12/181, 190, 196, 197, 199, 400;  
D26/28-36  
CPC ... B62J 6/02; B62J 6/00; B60Q 3/0279; F21S  
48/00; F21S 48/10; F21S 48/115; F21S  
48/225; F21S 48/1233; F21S 48/1266;  
F21S 48/1388; F21S 48/2268; F21V  
21/04  
See application file for complete search history.

D602,184 S \* 10/2009 Wu ..... D26/28  
D836,804 S \* 12/2018 Zylinski ..... D26/28  
10,260,693 B1 \* 4/2019 Shih ..... F21S 41/141  
2013/0148372 A1 \* 6/2013 Shih ..... B60Q 1/00  
362/511  
2014/0016336 A1 \* 1/2014 Takenaka ..... B60Q 1/0088  
362/473

**OTHER PUBLICATIONS**

Ebay |2013 Swar Motorcycle Turn Signal Indicator Light Ducati Triumph KTM, last updated on May 16, 2019, © 1995-2019 eBay Inc. [online], [site visited Jun. 18, 2019]. Available from Internet, <URL: <https://www.ebay.com/itm/2013-Swar-Motorcycle-Turn-Signal-Indicator-Light-Ducati-Triumph-KTM-/360681688580/>>.\*

\* cited by examiner

*Primary Examiner* — Philip S Hyder  
*Assistant Examiner* — Cary M Robinson

(57) **CLAIM**

The ornamental design for a vehicle lamp, as shown and described.

**DESCRIPTION**

FIG. 1 is a perspective view of a vehicle lamp showing my new design;  
FIG. 2 is a front elevational view thereof;  
FIG. 3 is a left side elevational view thereof;  
FIG. 4 is a right side elevational view thereof;  
FIG. 5 is a top plan view thereof;  
FIG. 6 is a bottom plan view thereof; and,  
FIG. 7 is a sectional view taken along line VII-VII in FIG. 2.

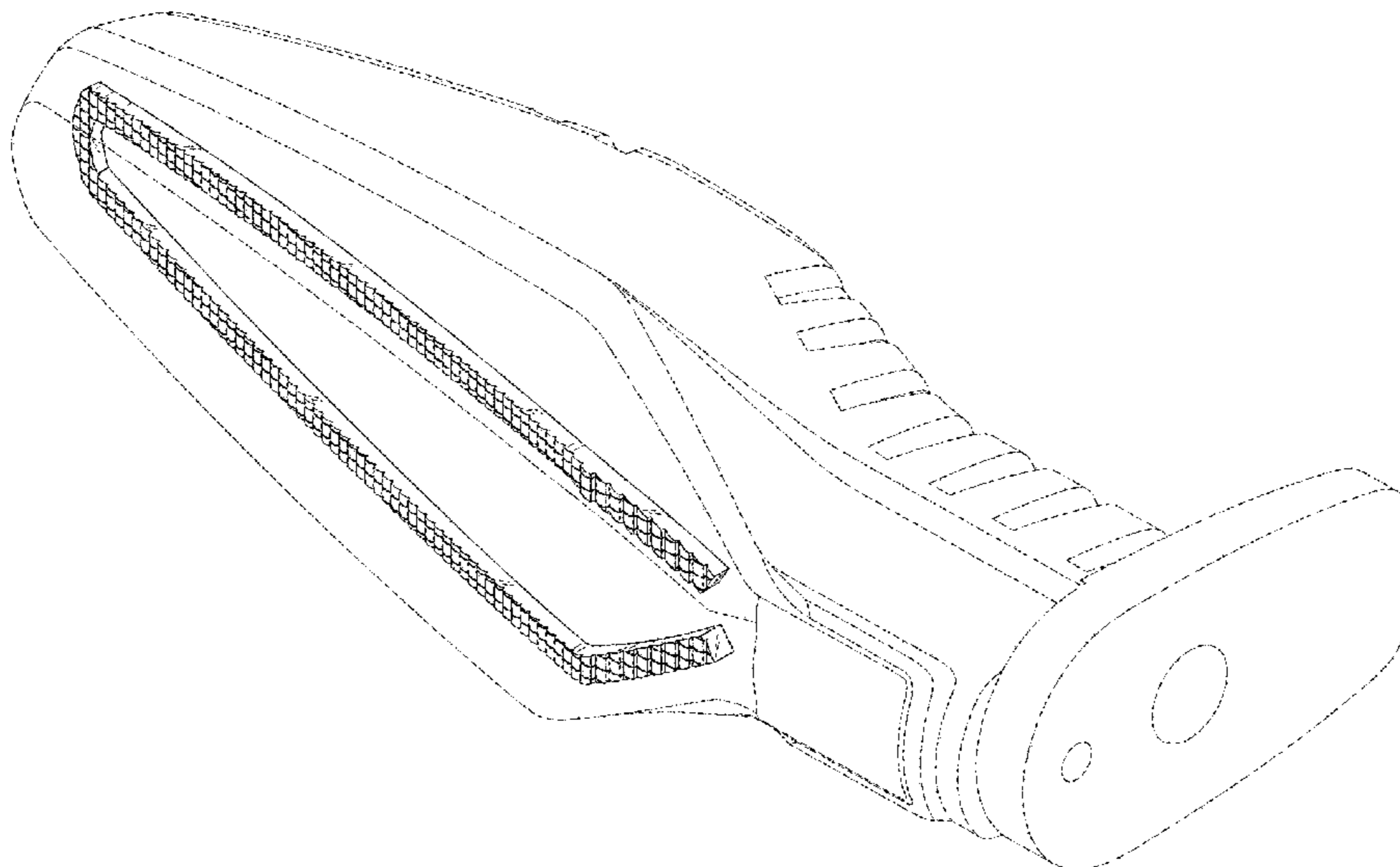
The broken lines depict portions of a vehicle lamp in which the design is embodied that form no part of the claimed design.

**1 Claim, 7 Drawing Sheets**

(56) **References Cited**

**U.S. PATENT DOCUMENTS**

5,820,254 A \* 10/1998 Duenas ..... B60Q 1/0088  
362/473  
D501,571 S \* 2/2005 Kouchi ..... D26/28  
D511,016 S \* 10/2005 Tamura ..... D26/28  
D517,708 S \* 3/2006 Phillips ..... D26/28  
D518,207 S \* 3/2006 Wong ..... D26/28  
D592,328 S \* 5/2009 Chen ..... D26/28



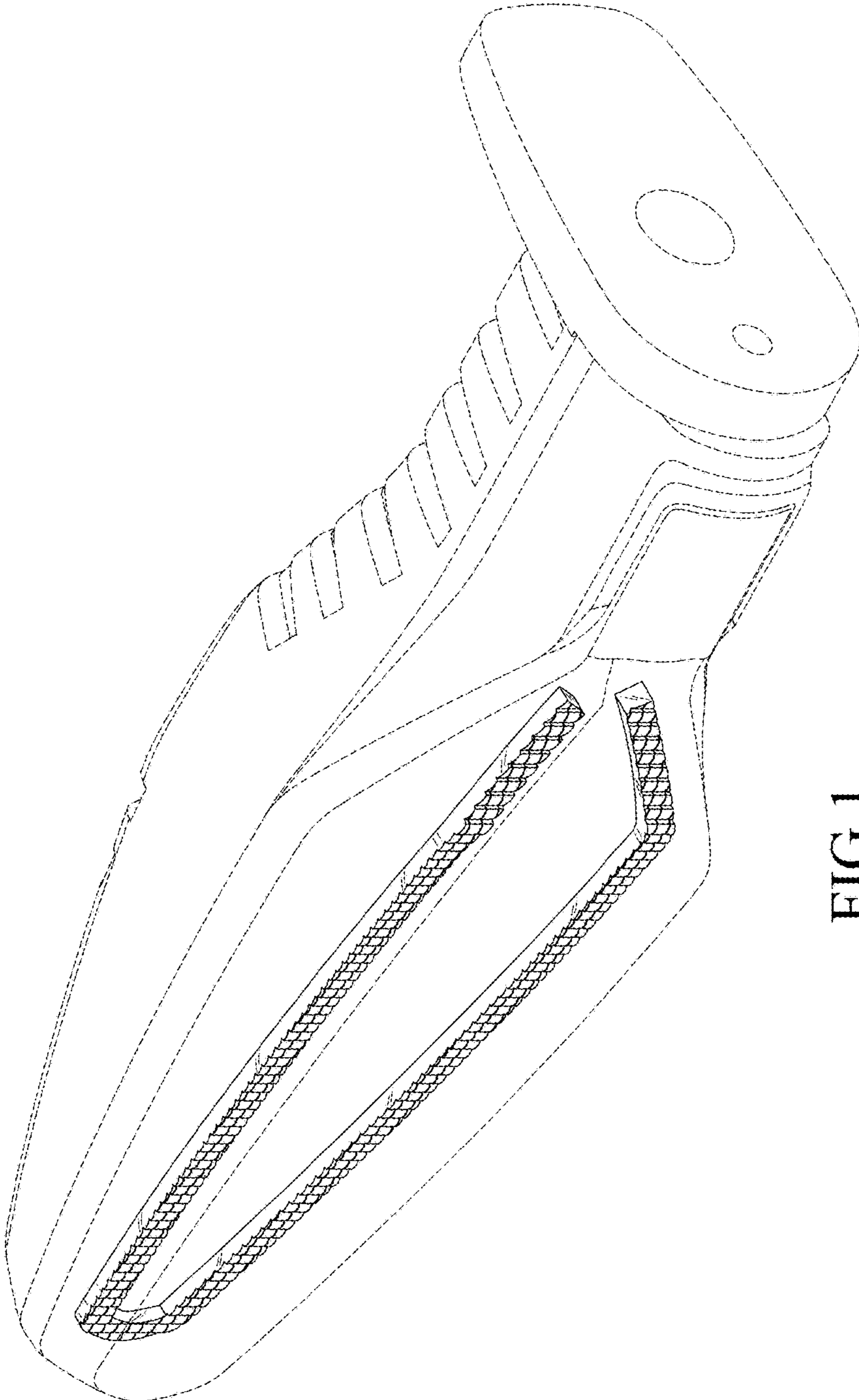


FIG.1

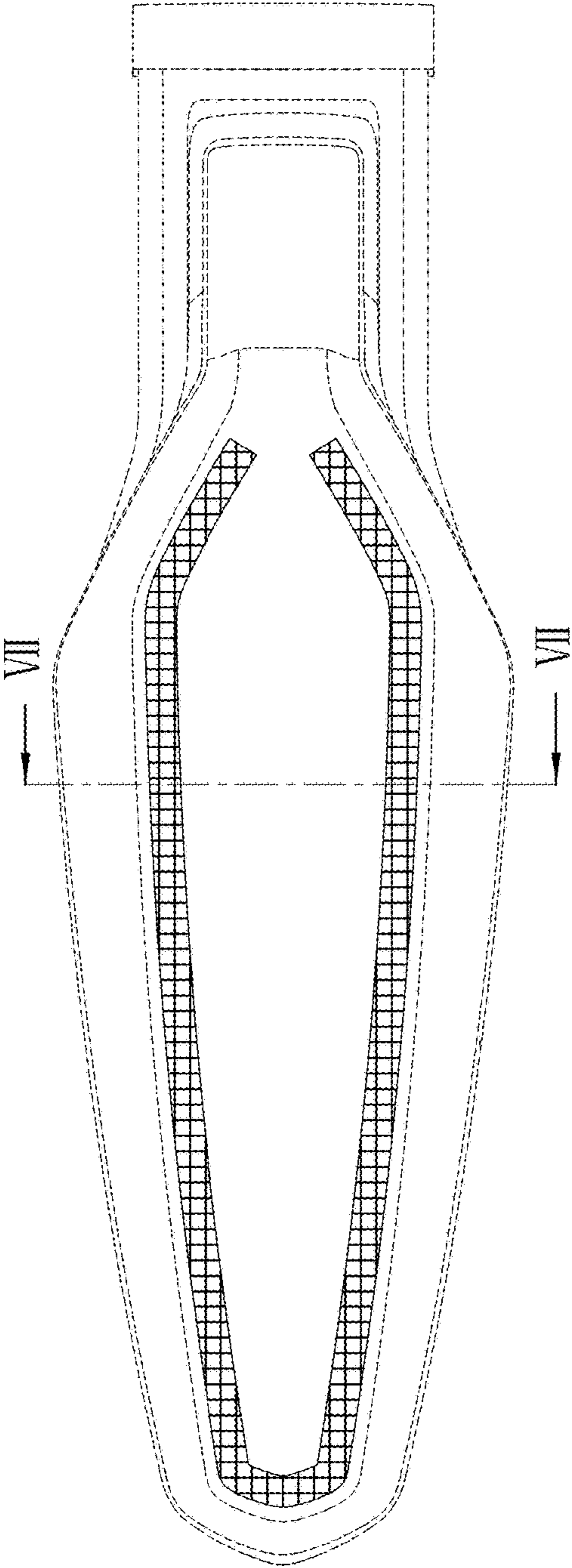


FIG.2

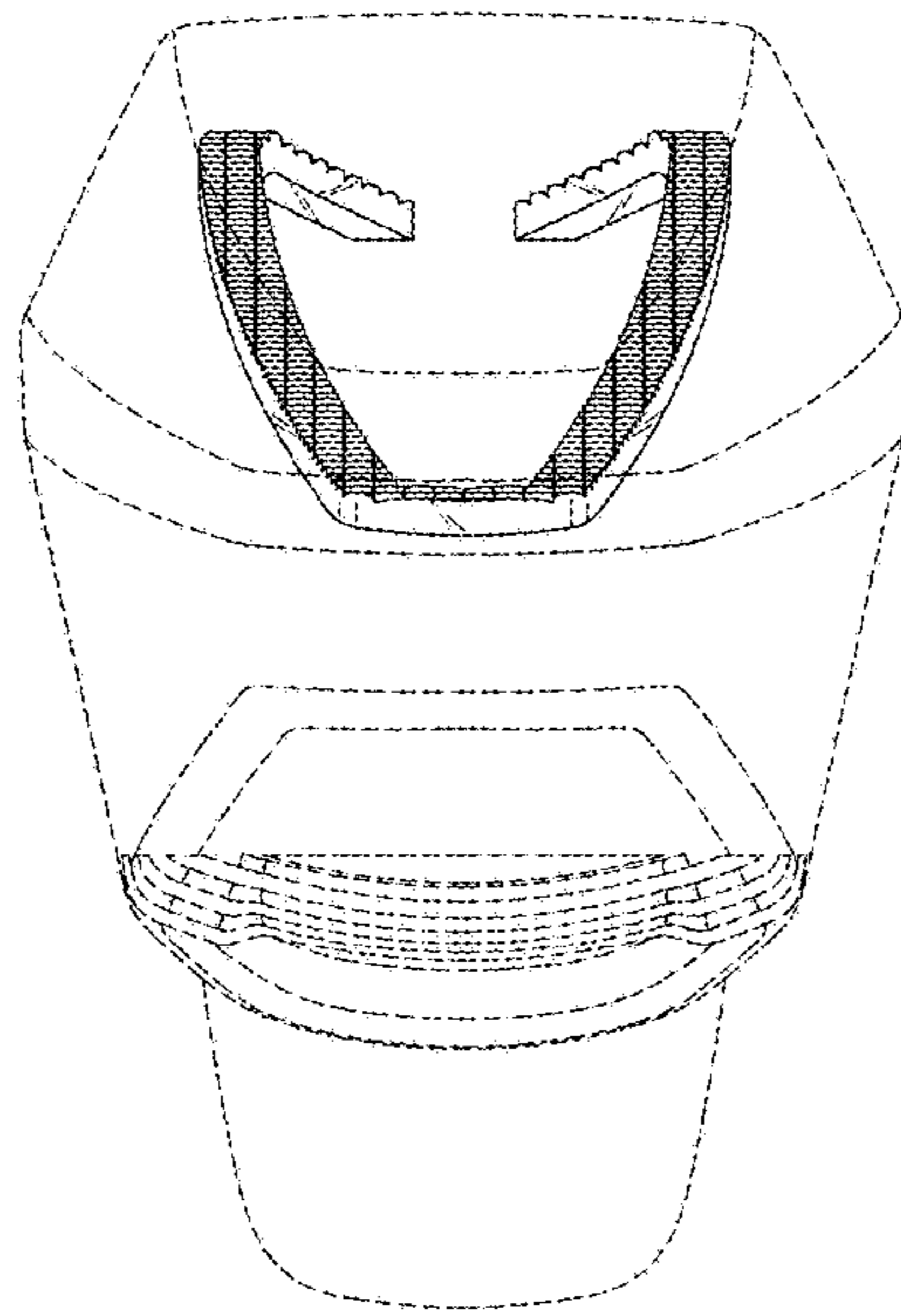


FIG.3

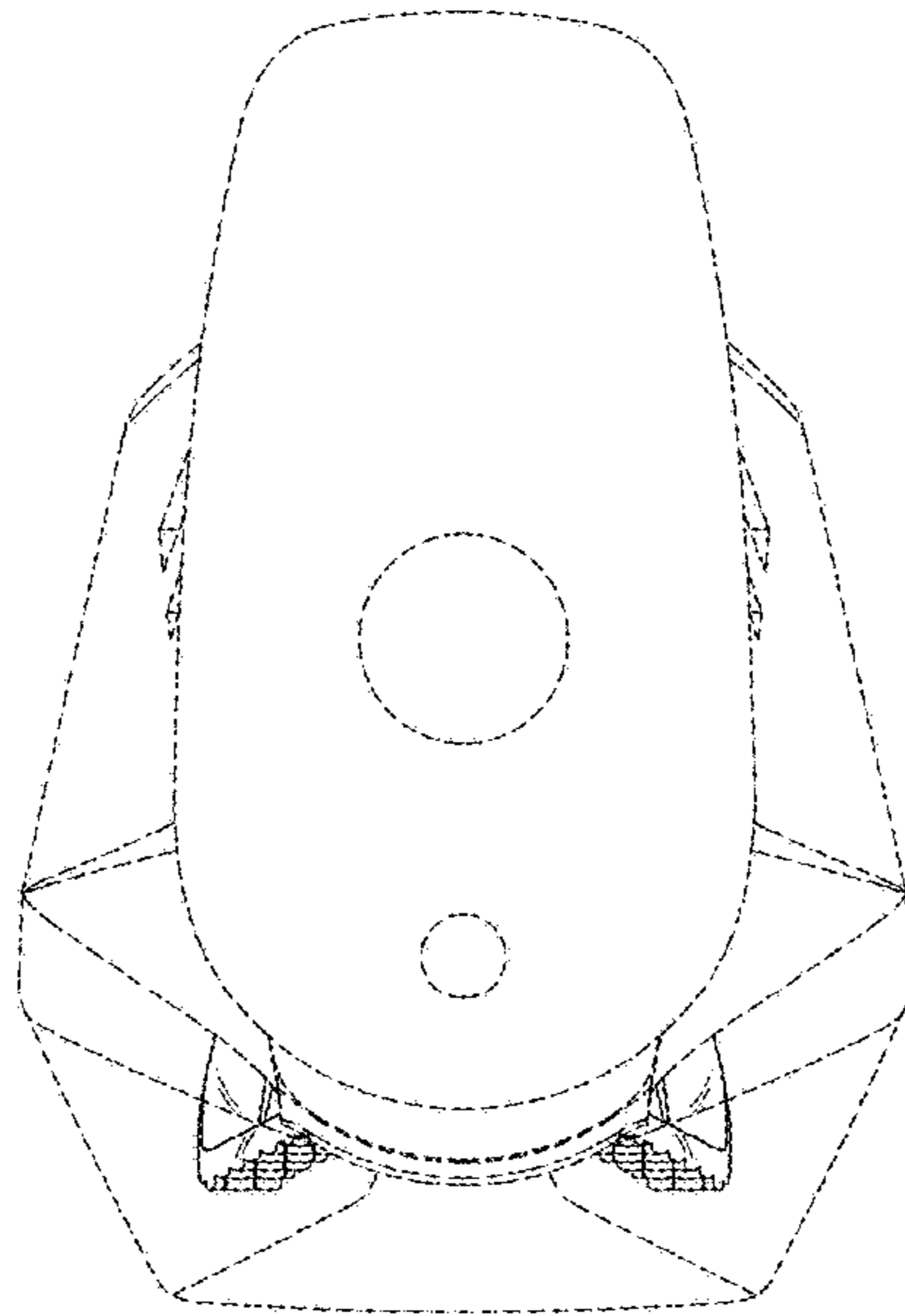


FIG. 4

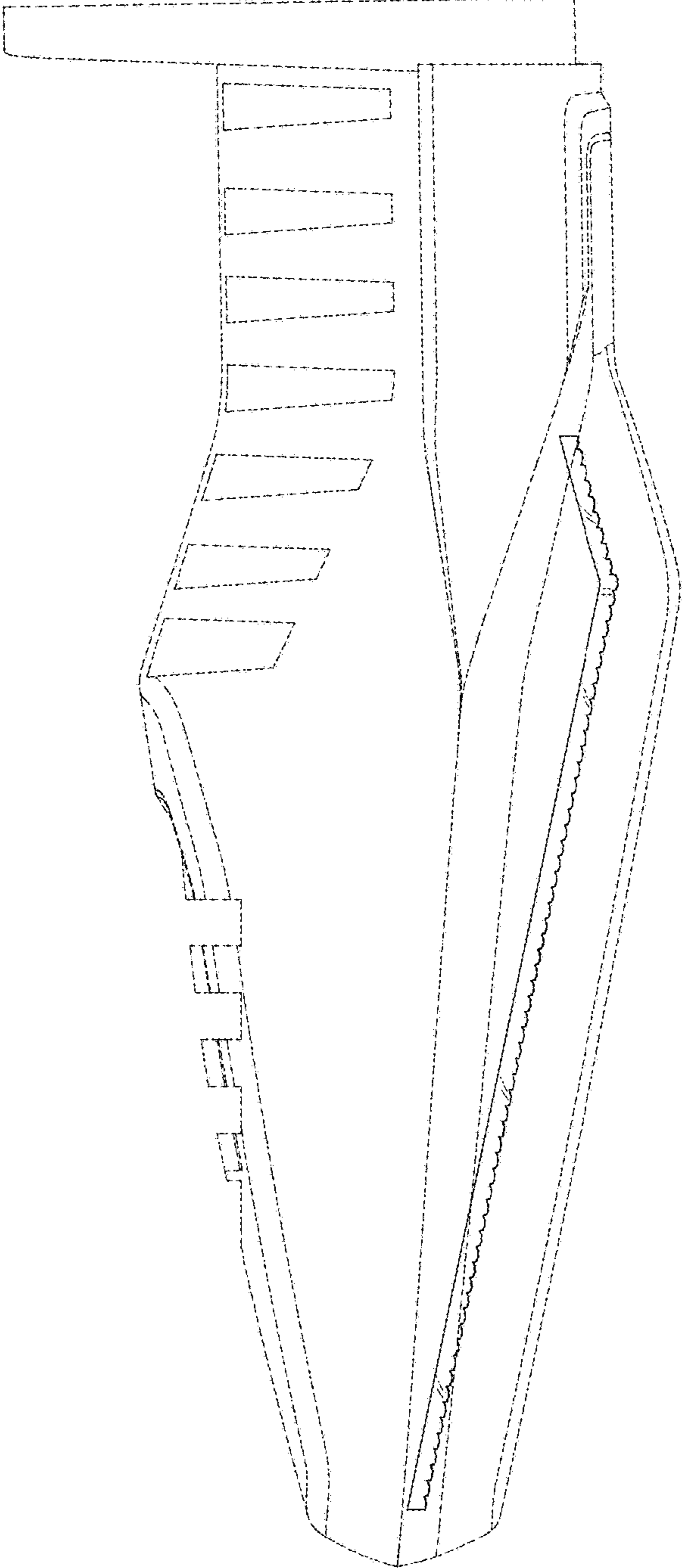


FIG.5

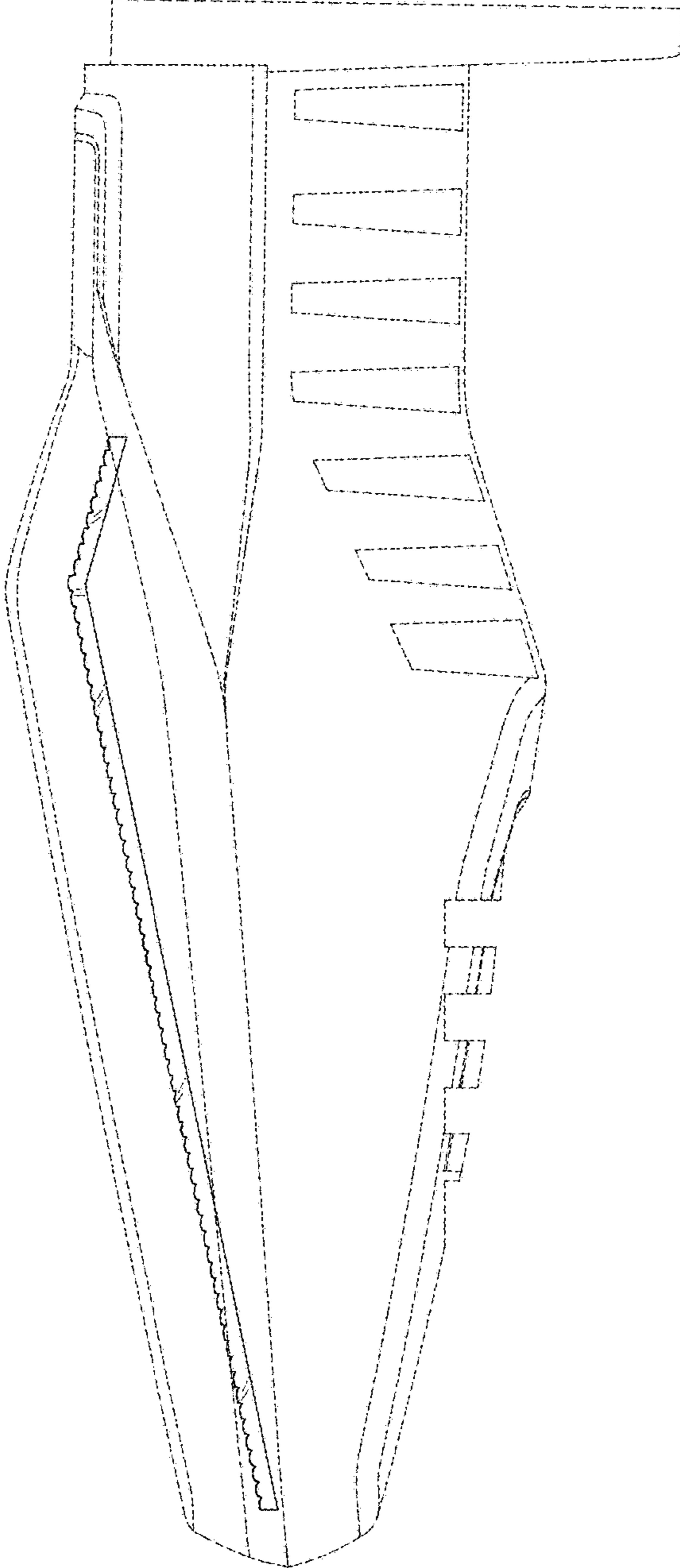


FIG.6

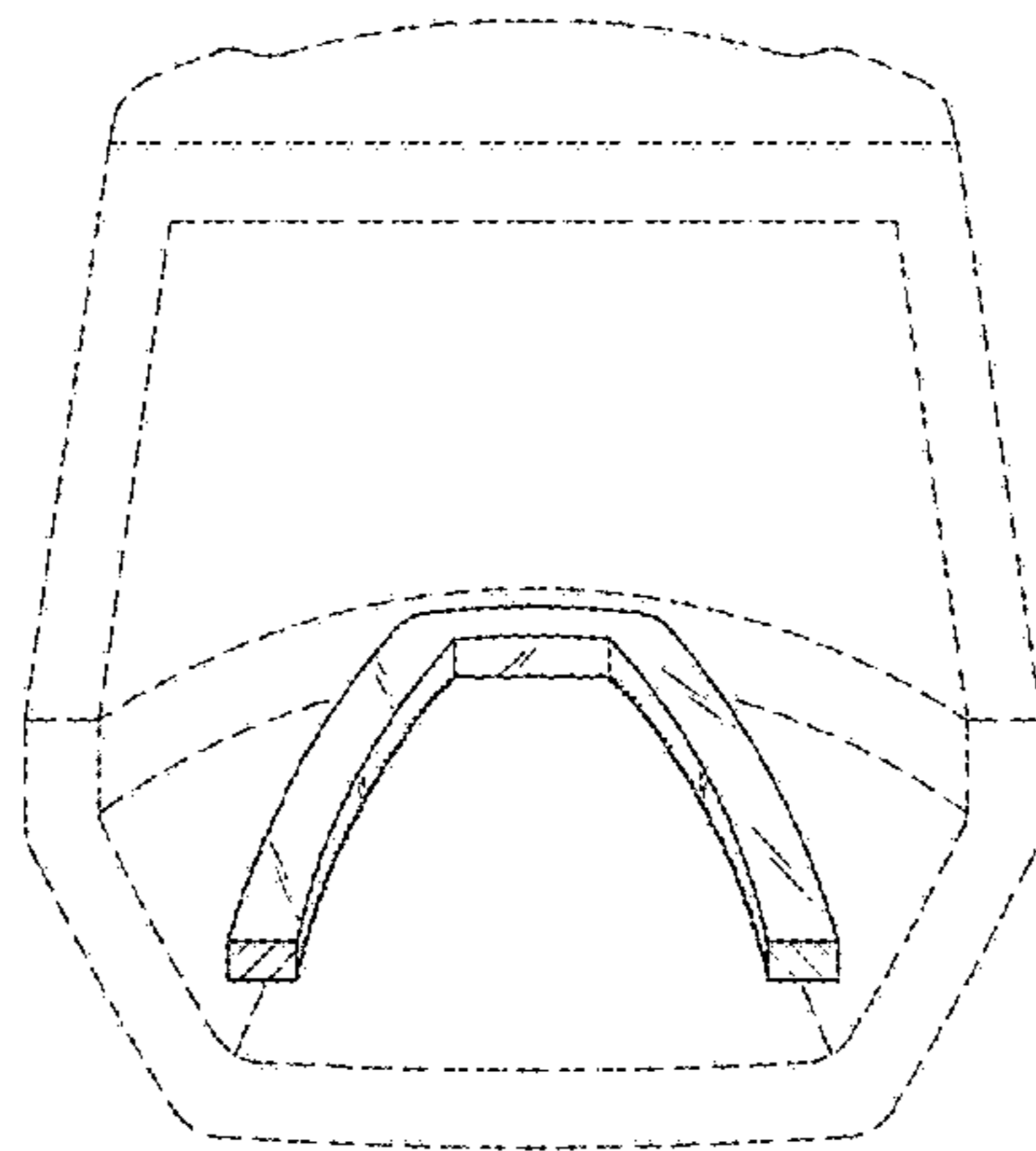


FIG. 7