

US00D866817S

(12) **United States Design Patent**
Markshausen

(10) **Patent No.:** **US D866,817 S**

(45) **Date of Patent:** **** Nov. 12, 2019**

(54) **NIGHT LIGHT**

(71) Applicant: **Kurt Markshausen**, Huntington Beach,
CA (US)

(72) Inventor: **Kurt Markshausen**, Huntington Beach,
CA (US)

(**) Term: **15 Years**

(21) Appl. No.: **29/651,313**

(22) Filed: **Apr. 21, 2018**

(51) **LOC (12) Cl.** **26-05**

(52) **U.S. Cl.**
USPC **D26/26**

(58) **Field of Classification Search**
USPC D26/26, 24, 113, 118, 119, 120;
D23/366, 367, 369; 362/640, 641, 642,
362/643, 644, 650, 651, 652, 653, 659
CPC F21S 8/035; F21V 23/06; F21V 23/0442;
F21W 2121/00; H01R 2103/00
See application file for complete search history.

(56) **References Cited**

U.S. PATENT DOCUMENTS

D291,125 S * 7/1987 Fenne D26/26
D409,317 S * 5/1999 Yuen D26/26

D429,829 S * 8/2000 Doran D13/137.1
D431,660 S * 10/2000 Yuen D26/26
D498,009 S * 11/2004 Donnelly D26/26
D618,833 S * 6/2010 Wei D26/26
D642,708 S * 8/2011 Kaule D26/26
D678,561 S * 3/2013 Rugendyke D26/26
D772,442 S * 11/2016 Lange D26/26
D812,786 S * 3/2018 Xie D26/26

* cited by examiner

Primary Examiner — Angela J Lee

(74) *Attorney, Agent, or Firm* — Gray Law Firm; Gordon
E. Gray, III

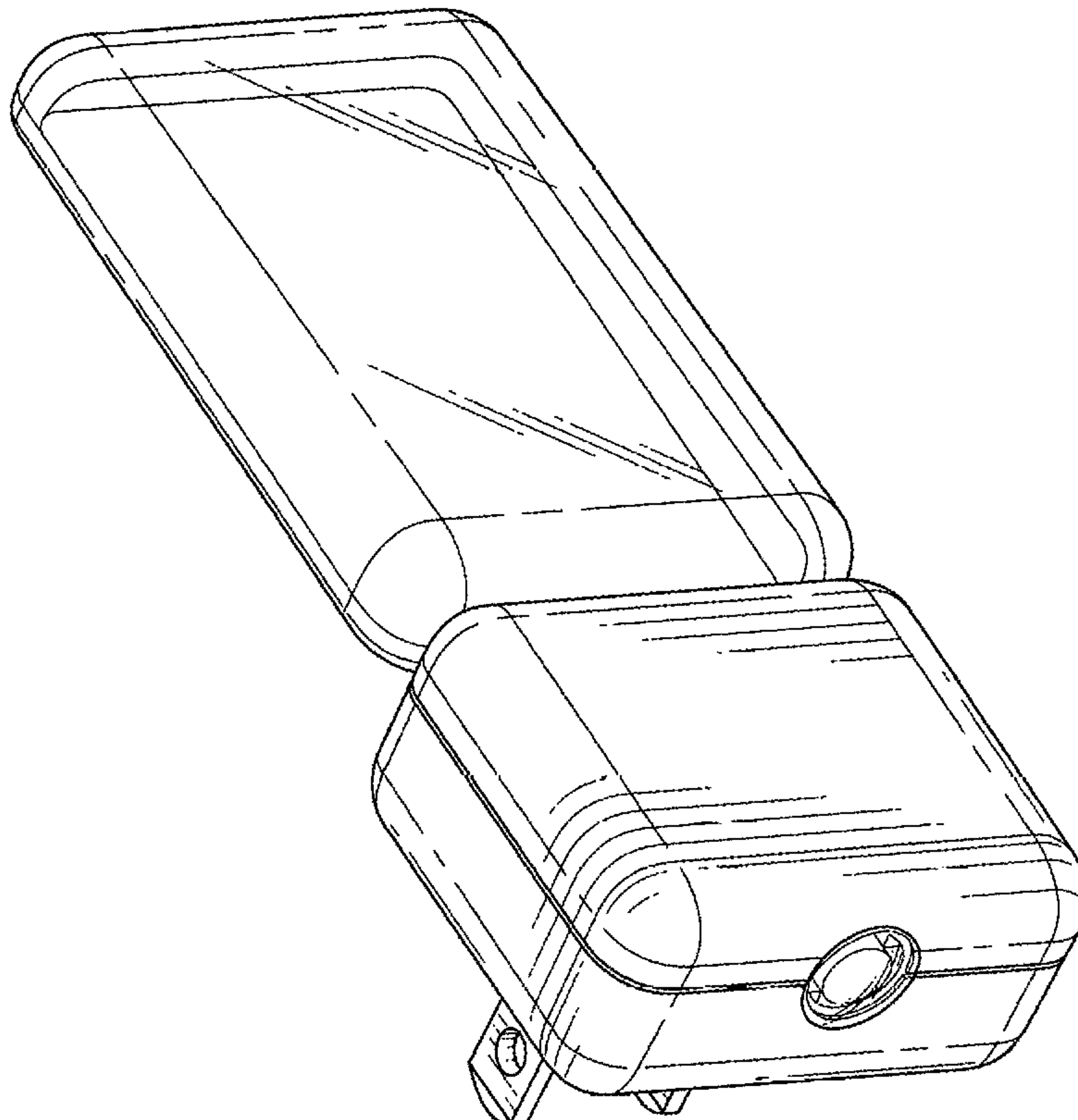
(57) **CLAIM**

What is claimed is the ornamental design for a night light,
as shown and described.

DESCRIPTION

FIG. 1 is a perspective front view of a night light showing
a new design;
FIG. 2 is a front elevation view thereof;
FIG. 3 is a back elevation view thereof;
FIG. 4 is a right side elevation view thereof;
FIG. 5 is a bottom plan view thereof; and,
FIG. 6 is a top plan view thereof.

1 Claim, 5 Drawing Sheets



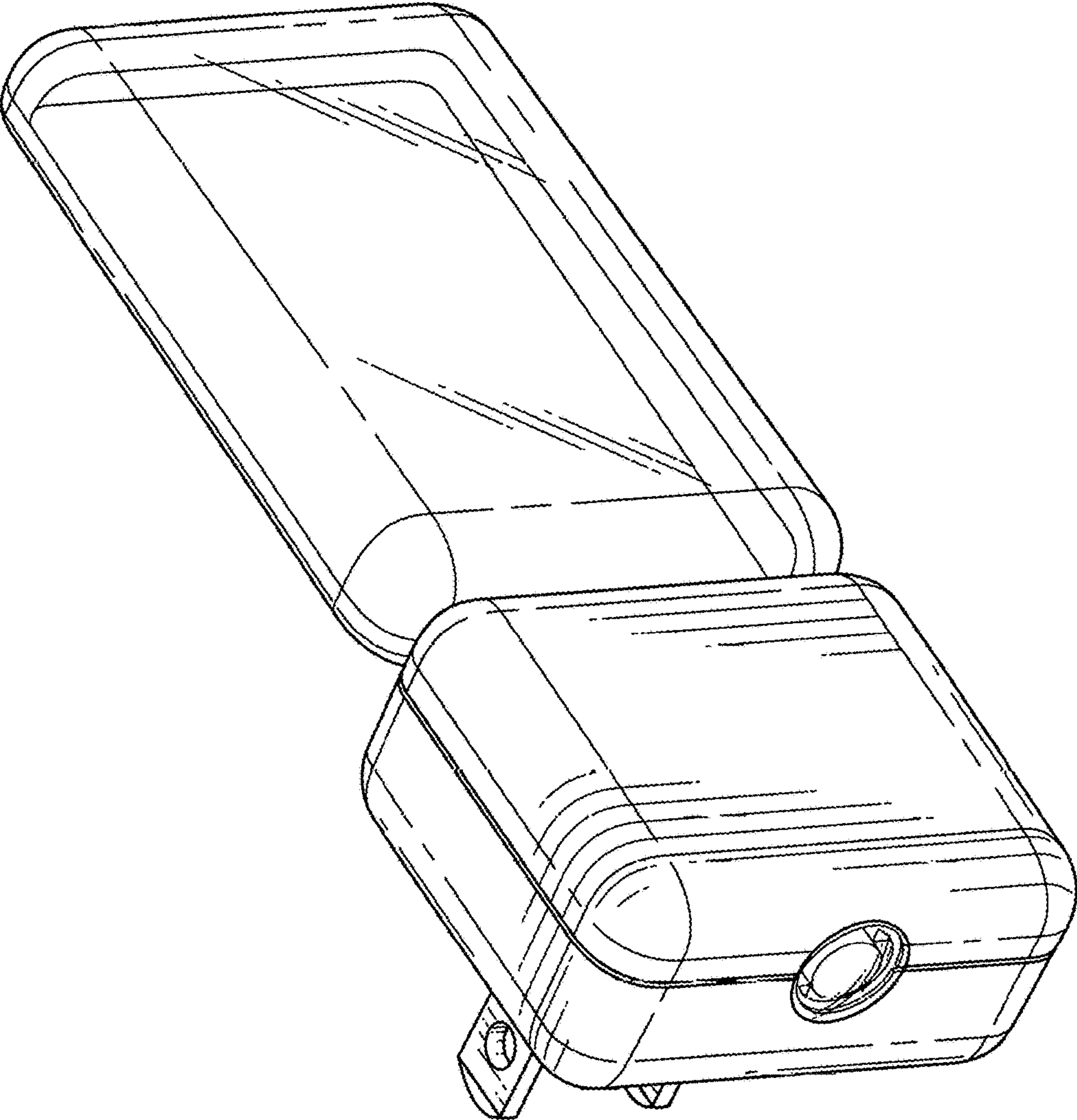


FIG. 1

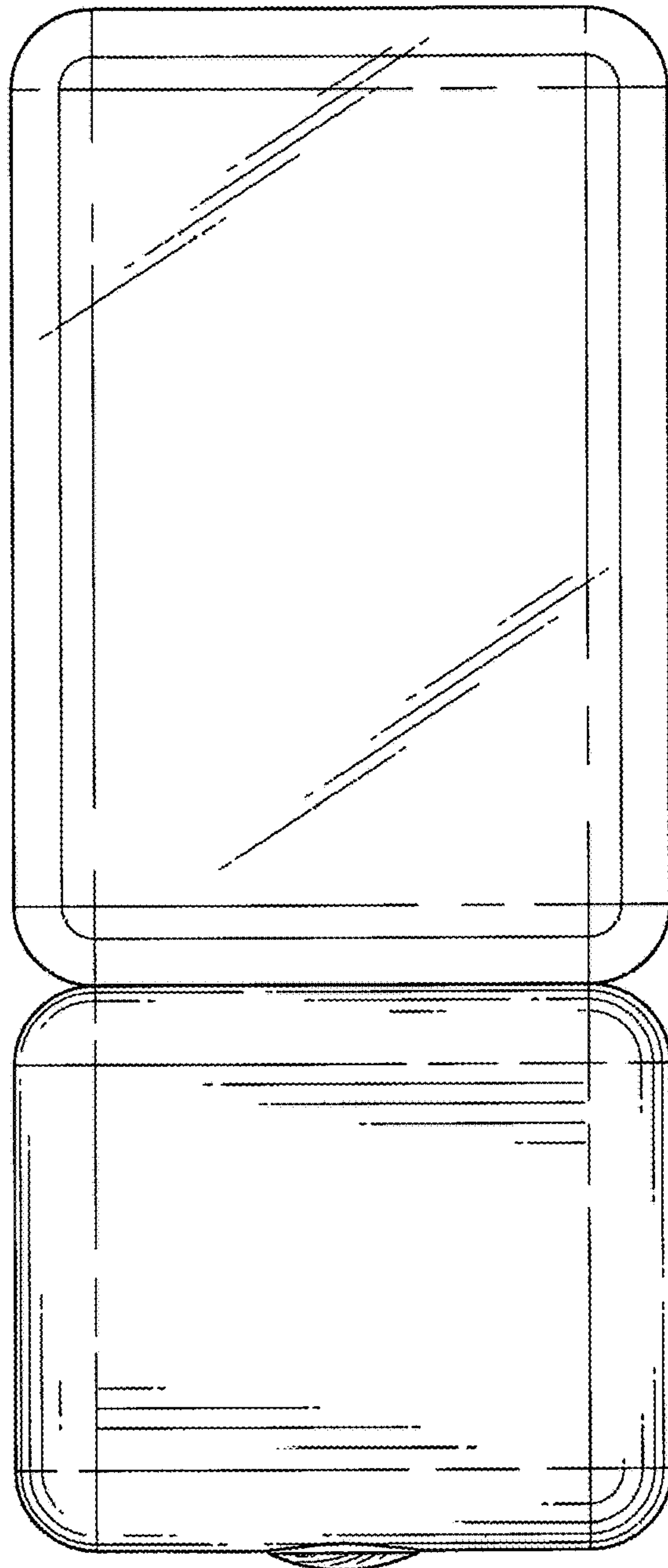


FIG. 2

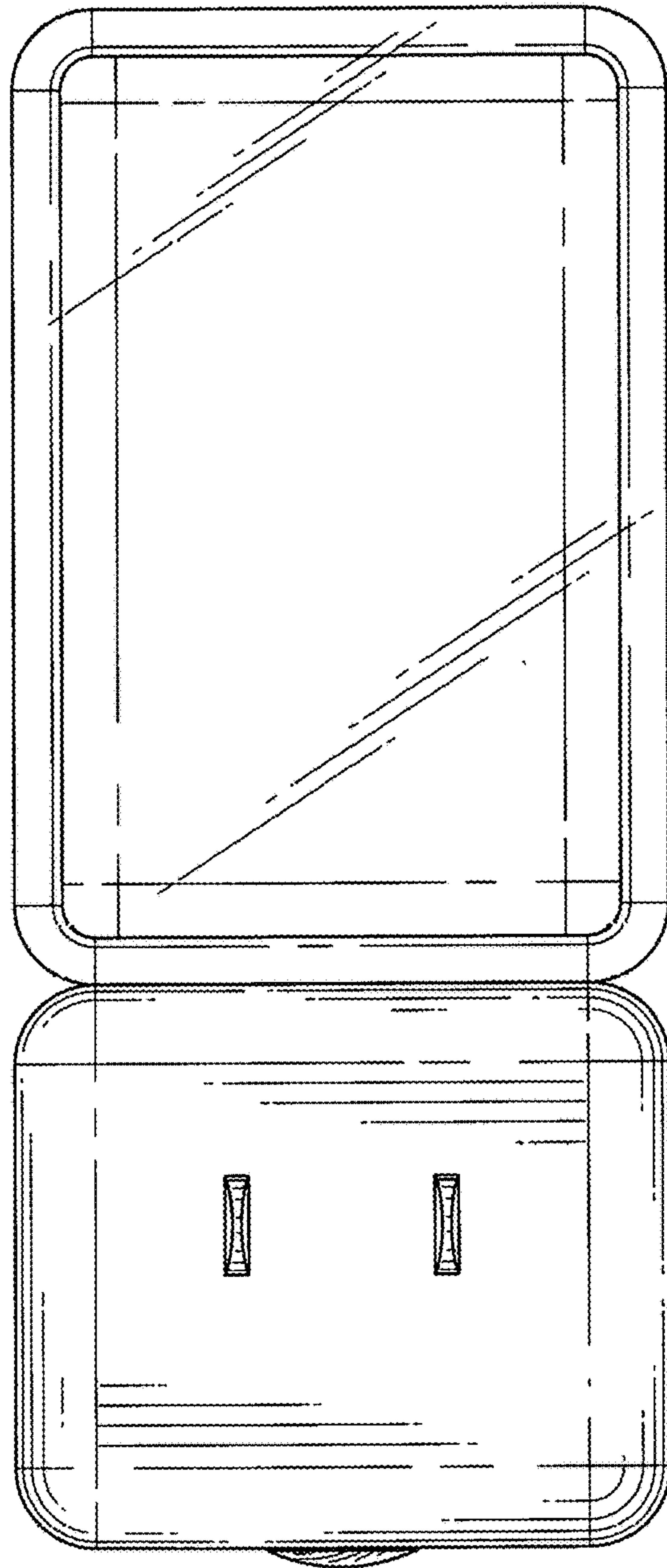


FIG. 3

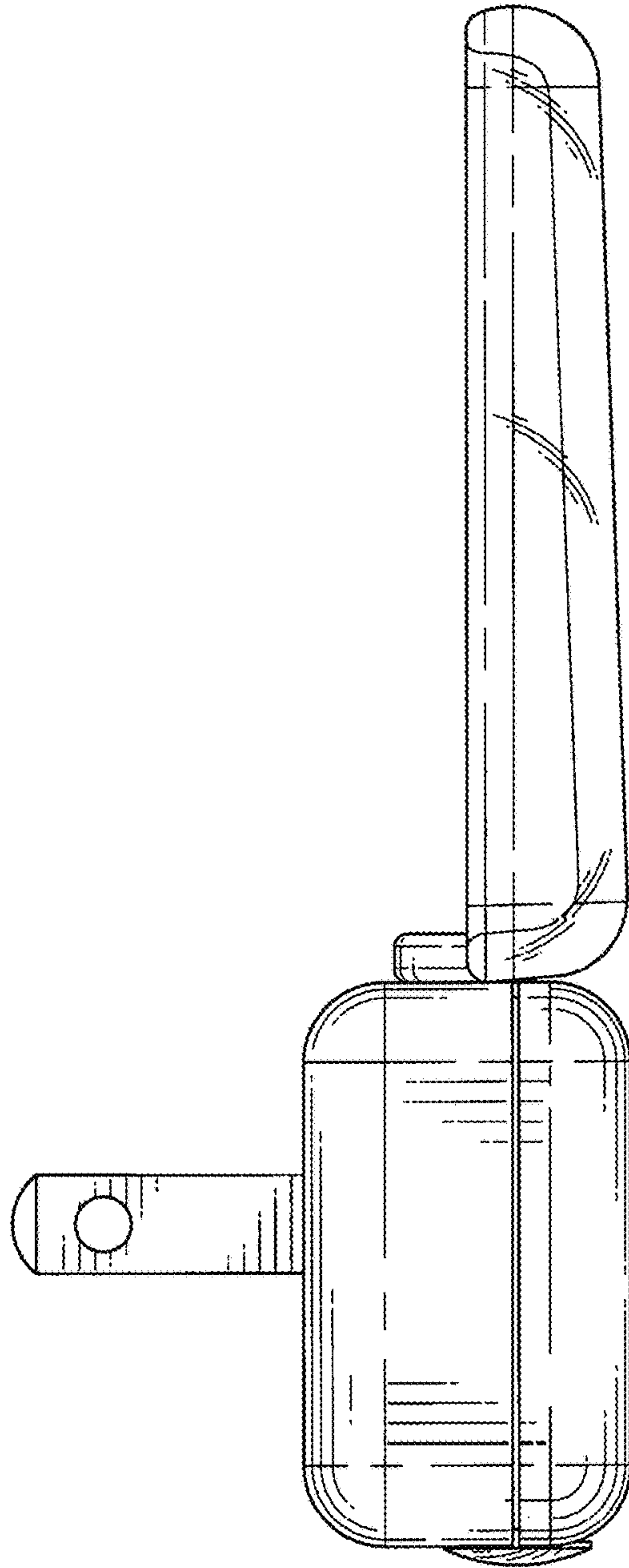


FIG. 4

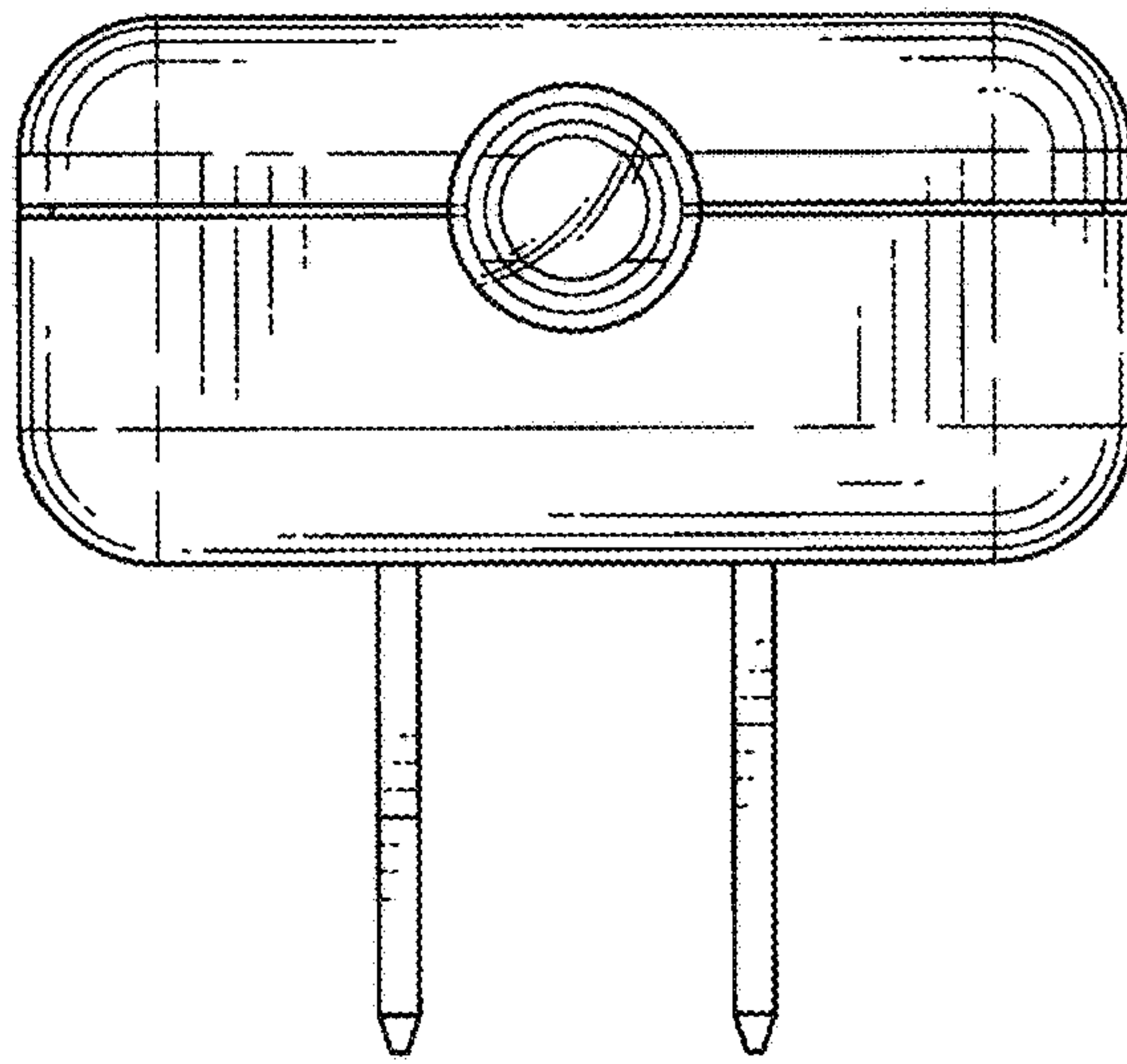


FIG. 5

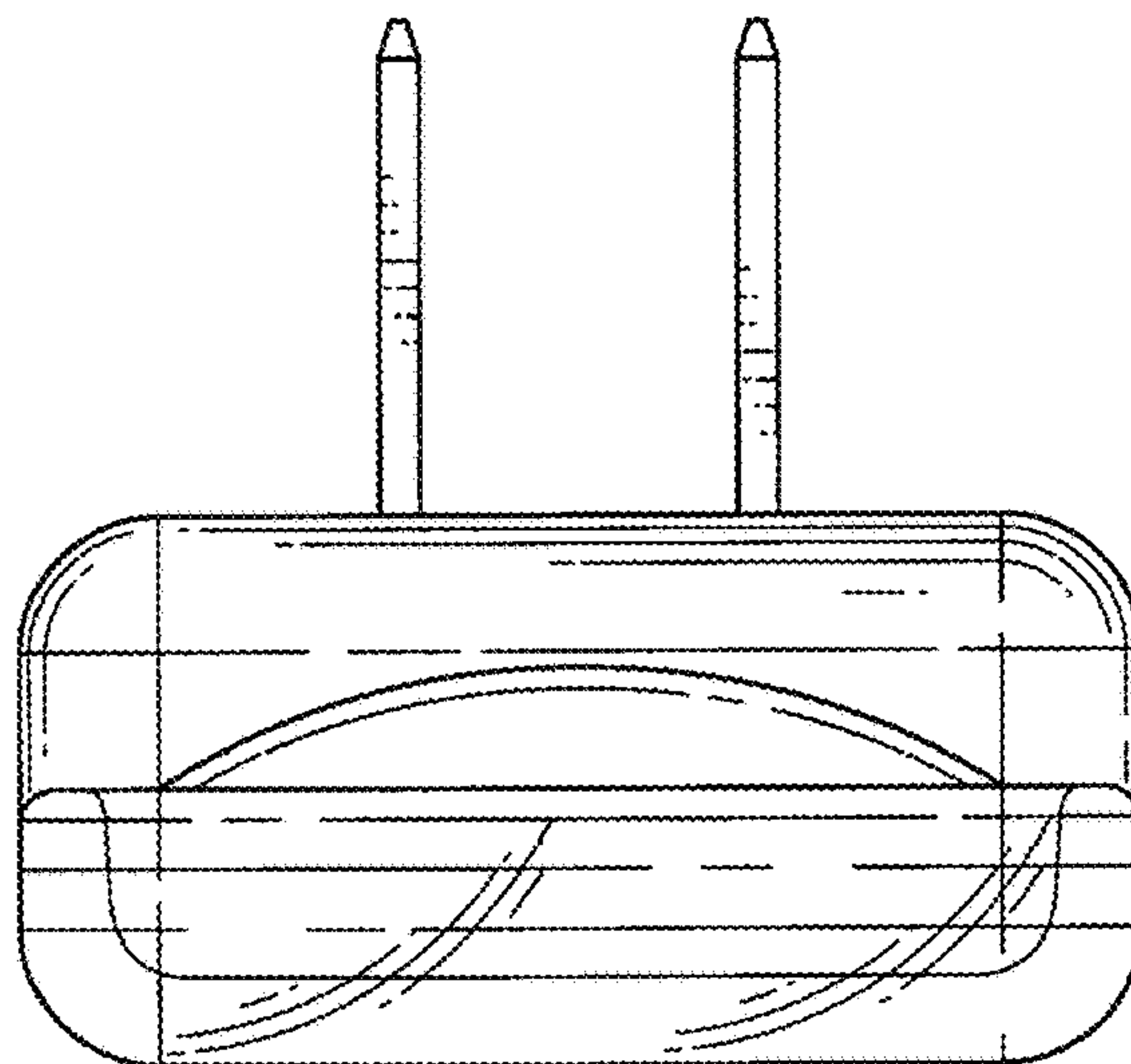


FIG. 6