



US00D866813S

(12) **United States Design Patent**
Nechita

(10) **Patent No.:** **US D866,813 S**

(45) **Date of Patent:** **** Nov. 12, 2019**

(54) **CANDLE JAR**

(71) Applicant: **Niki Nechita**, Sherman Oaks, CA (US)

(72) Inventor: **Niki Nechita**, Sherman Oaks, CA (US)

(**) Term: **15 Years**

(21) Appl. No.: **29/597,973**

(22) Filed: **Mar. 22, 2017**

(51) **LOC (12) Cl.** **26-01**

(52) **U.S. Cl.**
USPC **D26/9**

(58) **Field of Classification Search**
USPC D26/6, 7, 9, 10, 16, 20, 22; D9/430,
D9/454, 414, 516, 560, 715, 719;
D7/305, 513, 514, 560, 563, 589, 590,
D7/600.1, 601; D11/143
CPC F23D 2900/05001; Y10S 206/819; B44F
9/02; B65D 9/00; B65D 9/02; B65D 9/06
See application file for complete search history.

(56) **References Cited**

U.S. PATENT DOCUMENTS

D377,402 S * 1/1997 Perkins D26/135
D436,415 S * 1/2001 Hardy 431/125
D448,867 S * 10/2001 Manochao D26/11
D469,893 S * 2/2003 Shen D26/11
D576,750 S * 9/2008 Adams D26/9

D576,751 S * 9/2008 Adams D26/9
D579,588 S * 10/2008 Adams D26/9
D584,430 S * 1/2009 Furner D26/9
D604,869 S * 11/2009 Kubicek D26/9
D605,315 S * 12/2009 Kubicek D26/9
D667,151 S * 9/2012 Arslanian D26/9
D714,589 S * 10/2014 Uchida D7/523
D825,791 S * 8/2018 Patti D26/9

* cited by examiner

Primary Examiner — Shannon W Morgan

Assistant Examiner — Keith Frank

(74) *Attorney, Agent, or Firm* — One LLP; Joseph K. Liu

(57) **CLAIM**

The ornamental design for a candle jar, as shown and described.

DESCRIPTION

FIG. 1 is a top perspective view of a candle jar, in accordance with the present design.

FIG. 2 is a top view of the candle jar of FIG. 1.

FIG. 3 is a bottom view of the candle jar of FIG. 1.

FIG. 4 is a front view of the candle jar of FIG. 1.

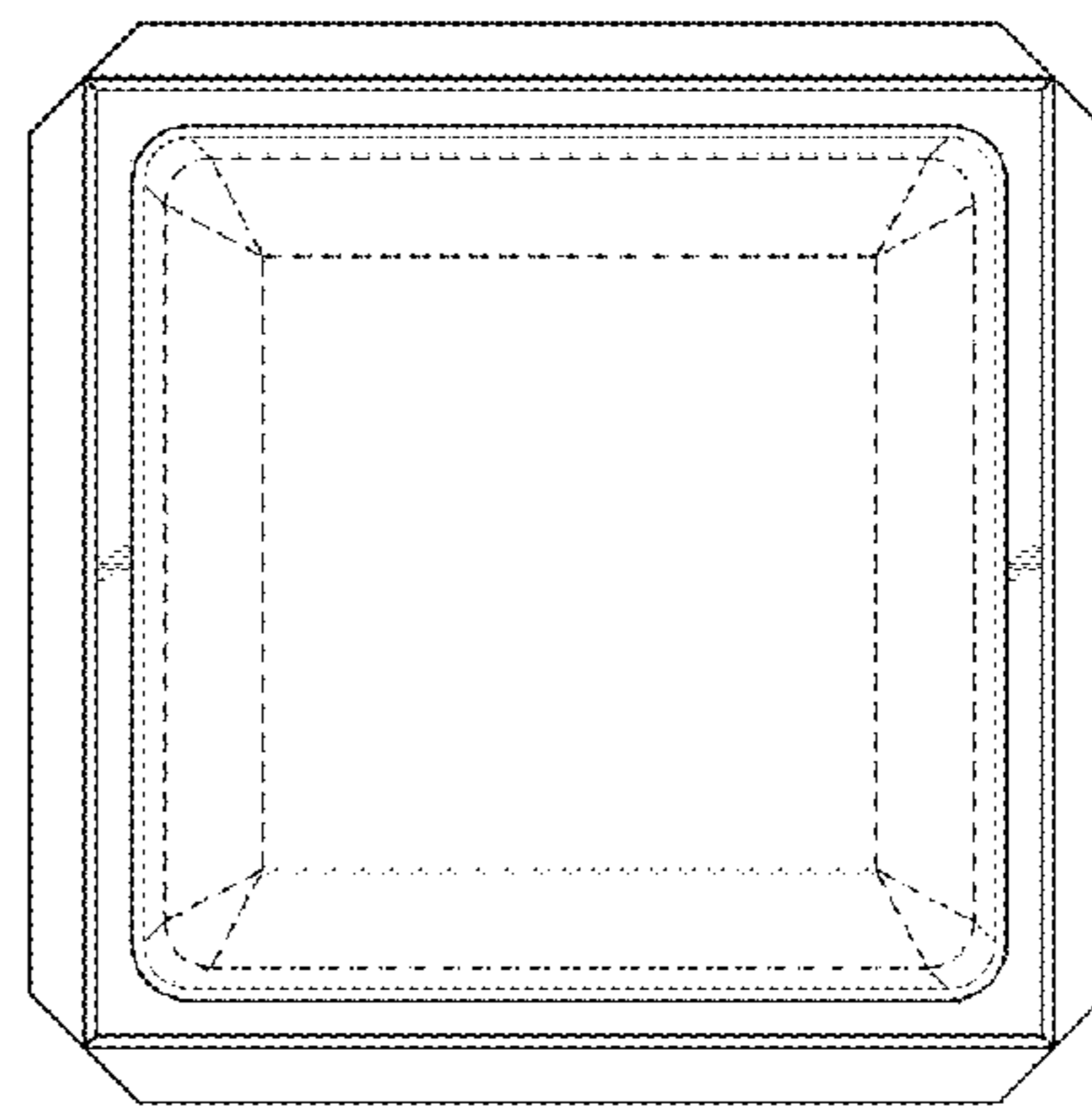
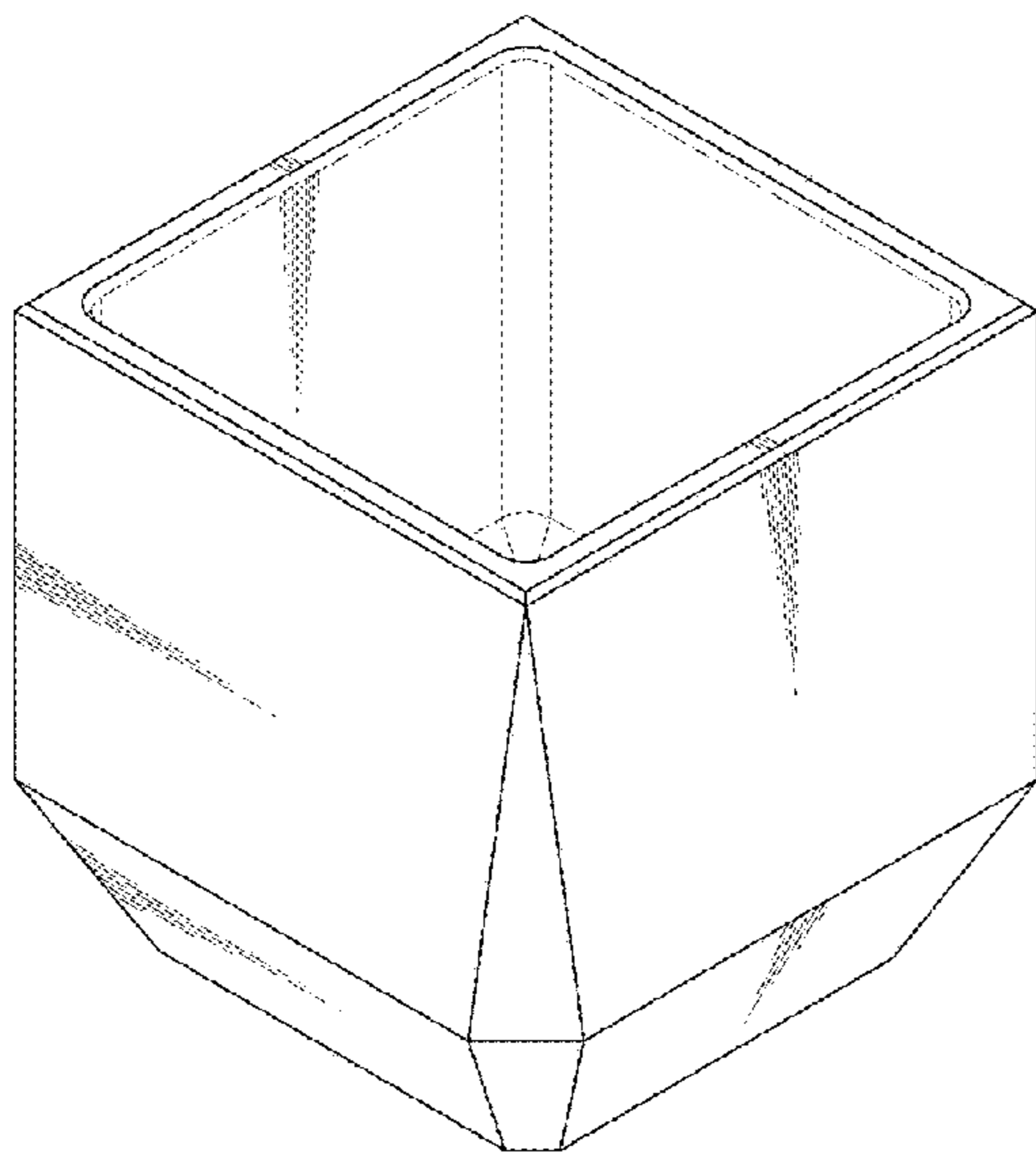
FIG. 5 is a rear view of the candle jar of FIG. 1.

FIG. 6 is a right side view of the candle jar of FIG. 1; and,

FIG. 7 is a left side view of the candle jar of FIG. 1.

The broken lines in the drawings showing the candle jar illustrate the portions of the candle jar that form no part of the claimed design.

1 Claim, 4 Drawing Sheets



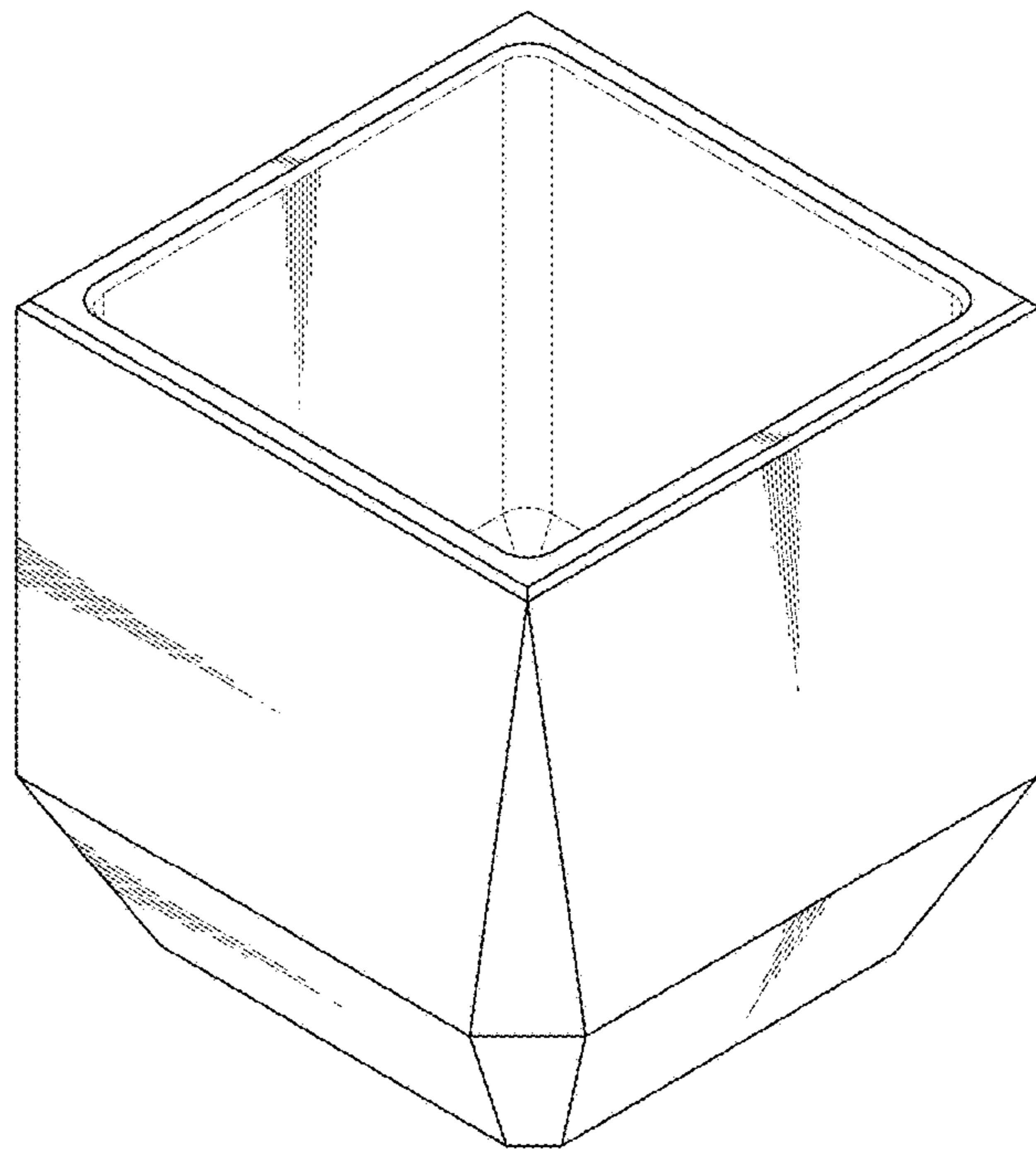


FIG. 1

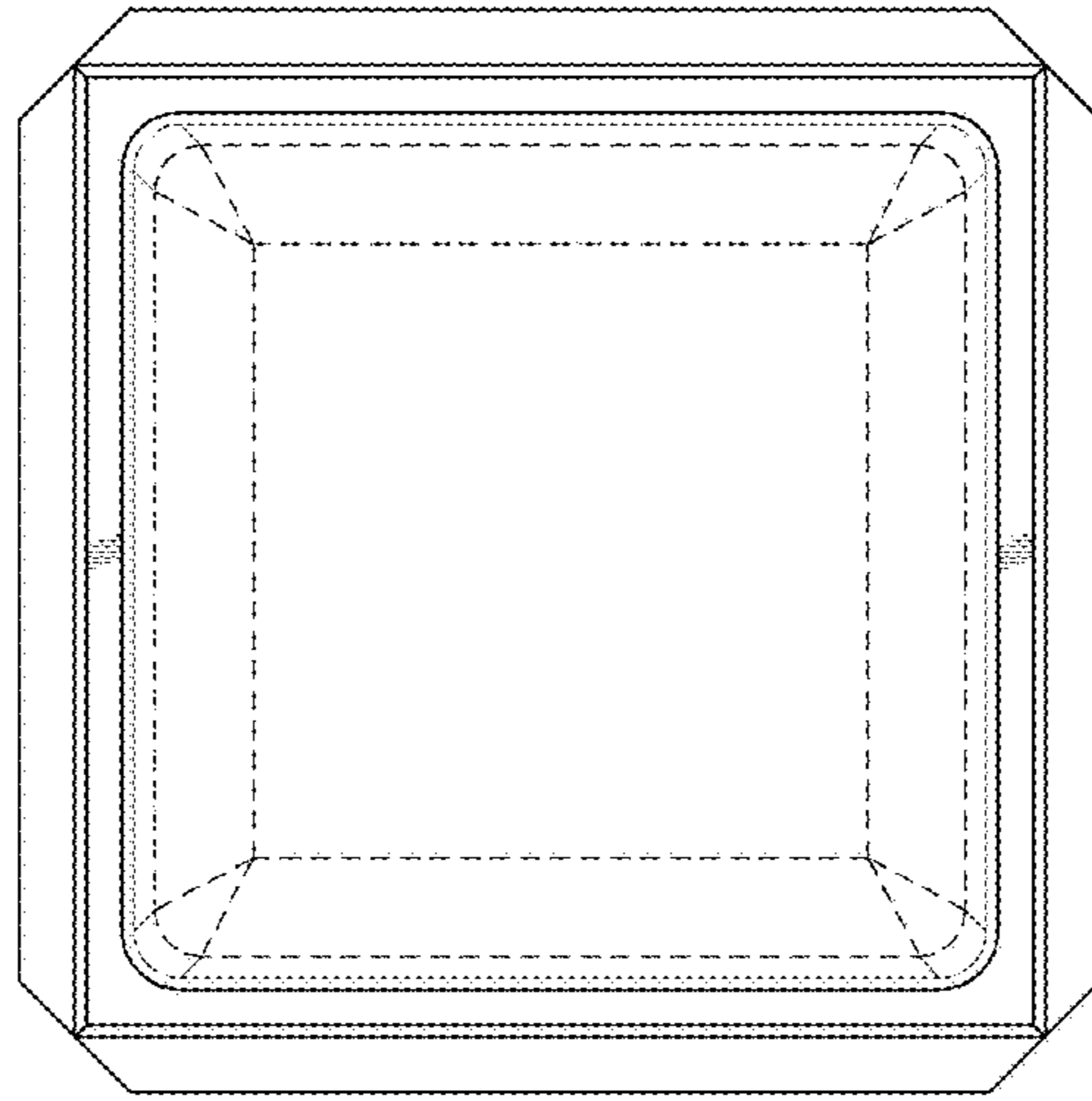


FIG. 2

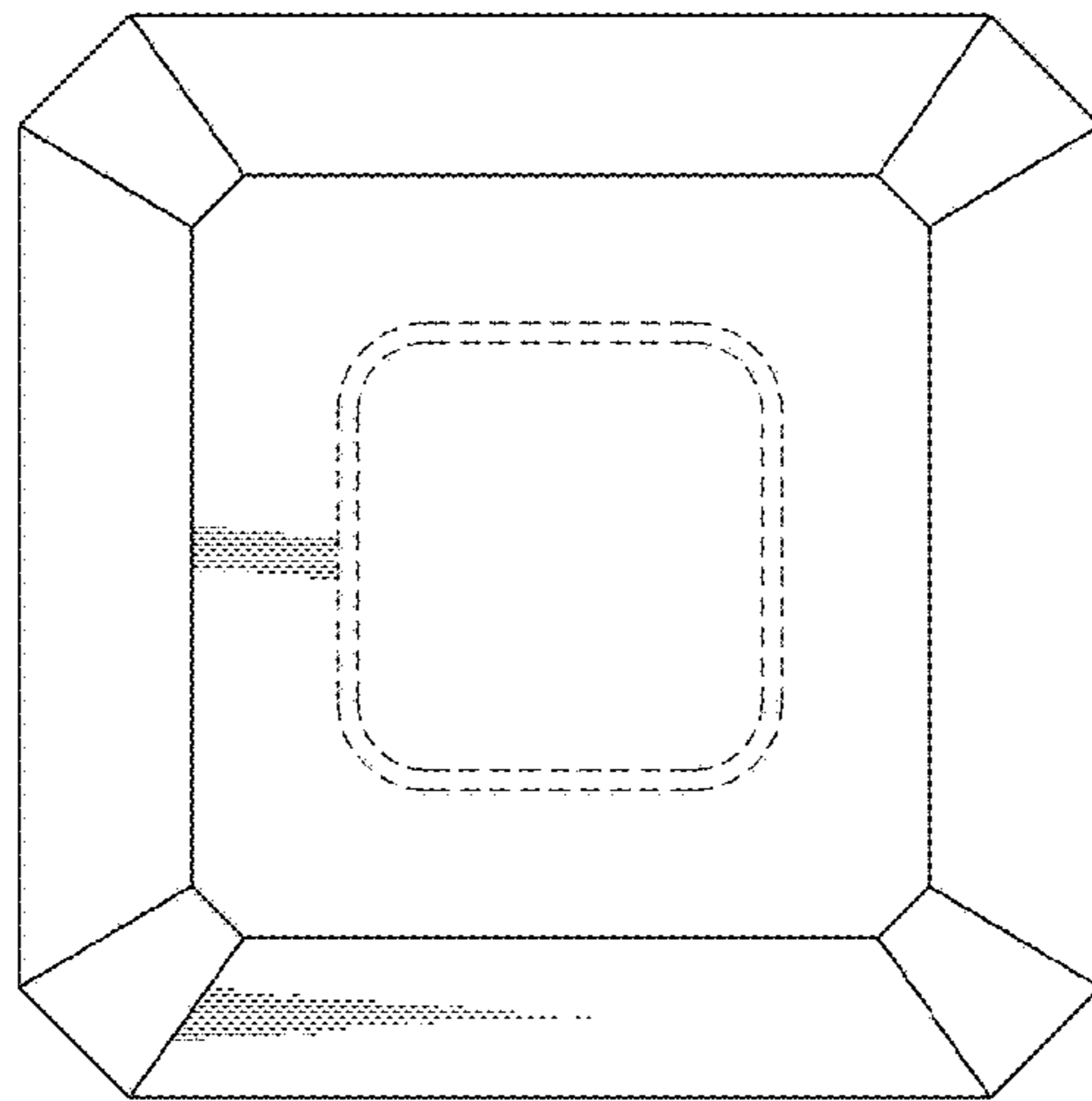


FIG. 3

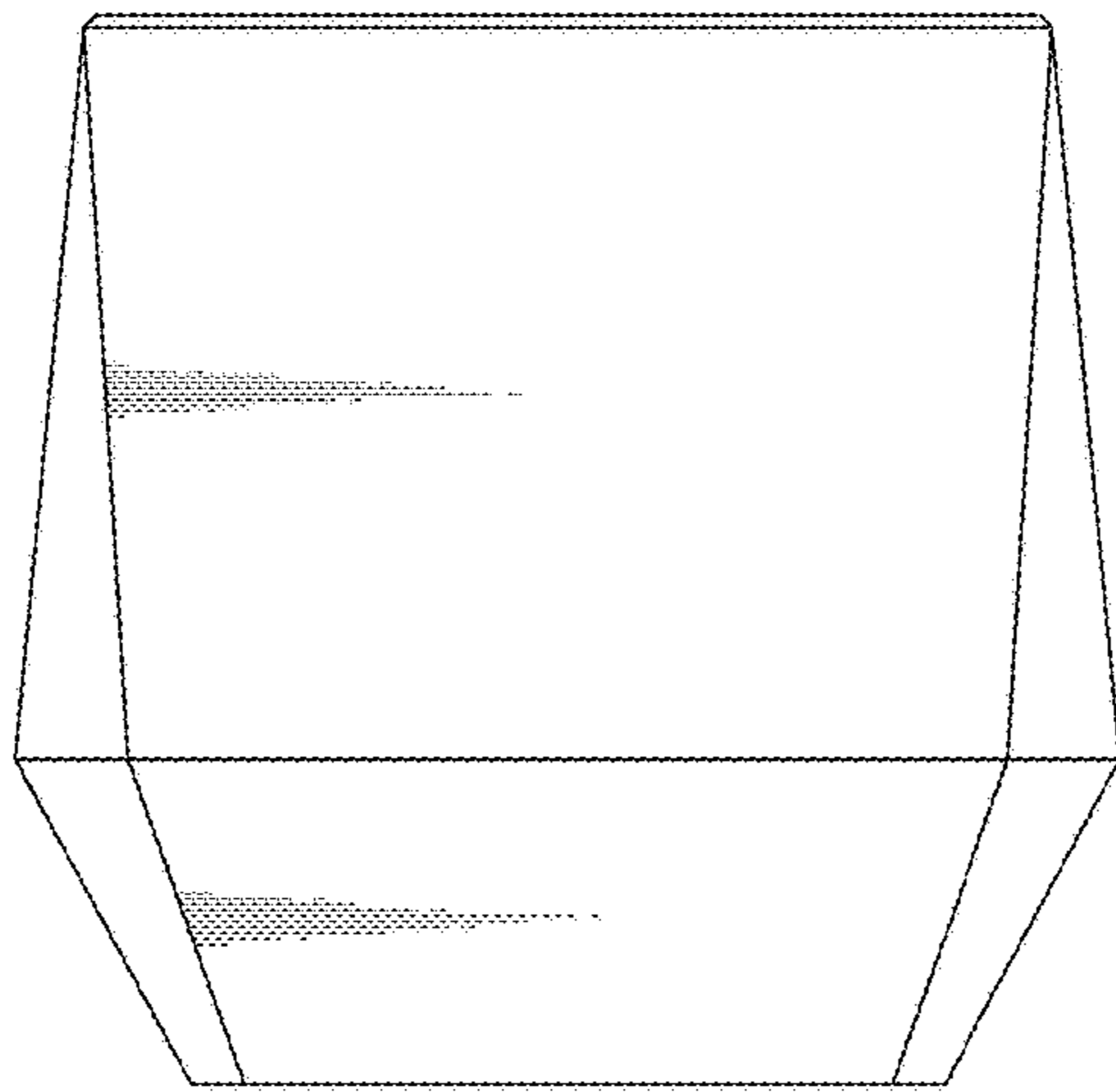


FIG. 4

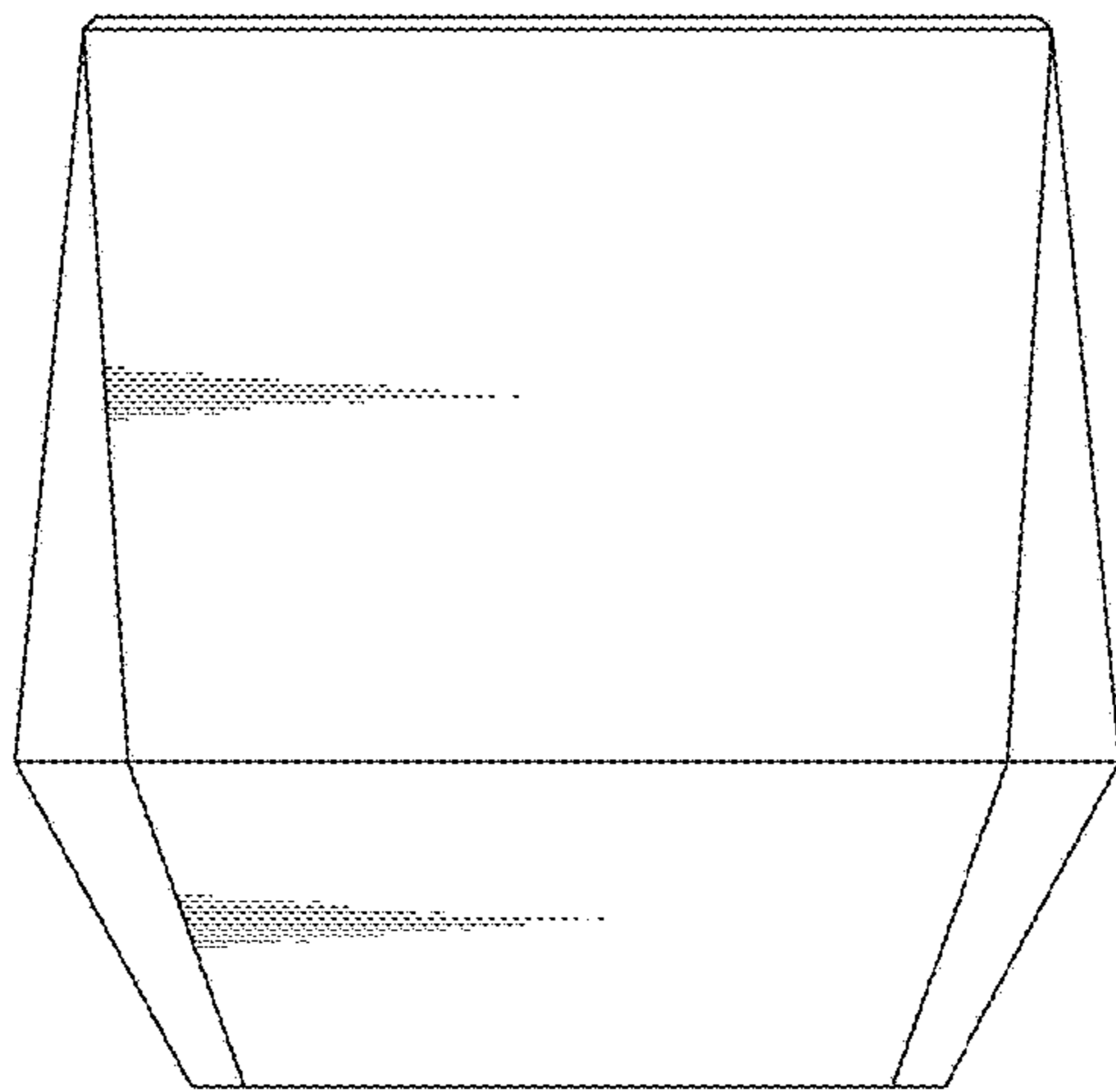


FIG. 5

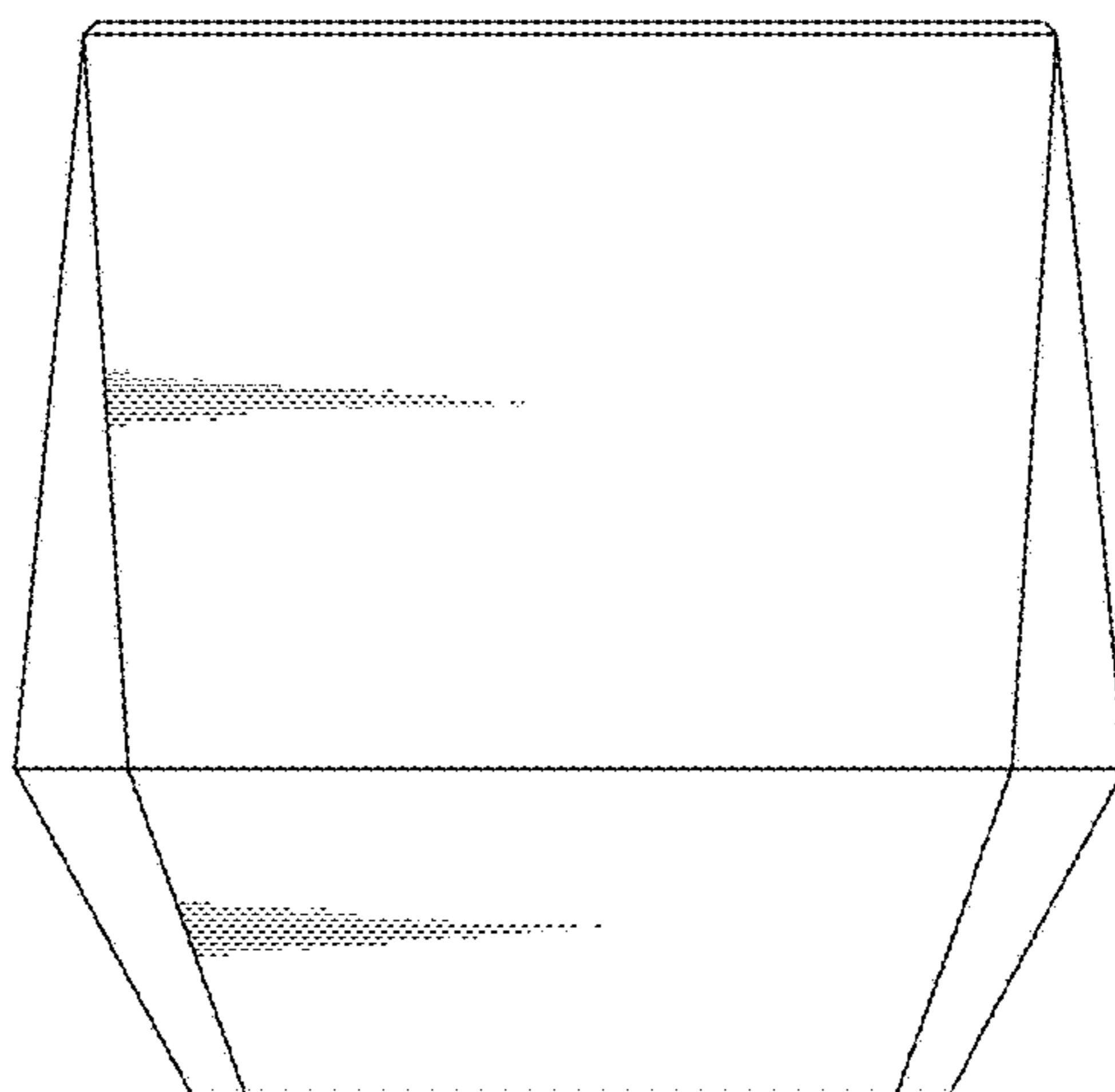


FIG. 6

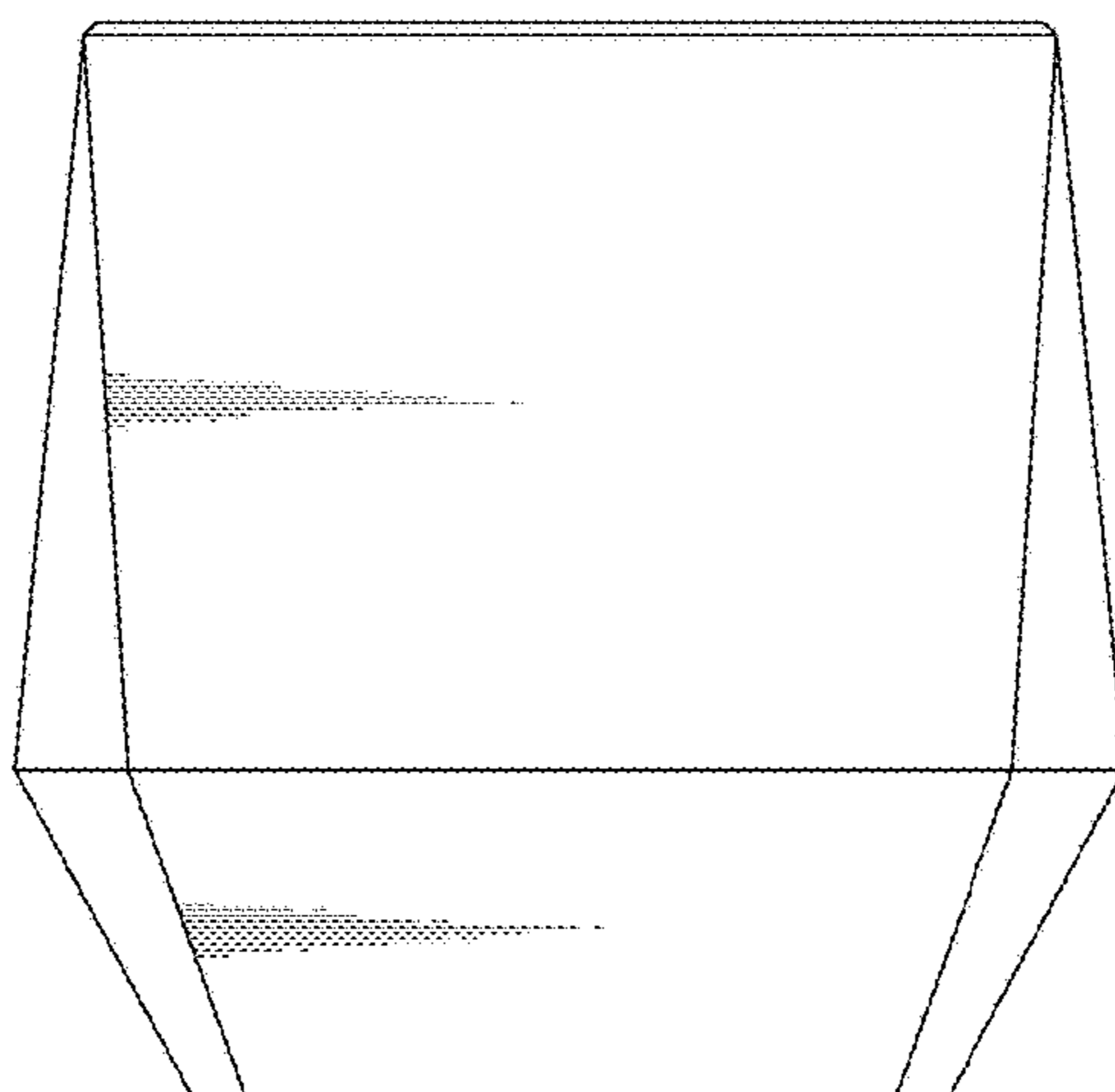


FIG. 7