

US00D866812S

(12) **United States Design Patent**  
**Wang et al.**

(10) **Patent No.:** **US D866,812 S**

(45) **Date of Patent:** **\*\* Nov. 12, 2019**

(54) **LAMP**

(71) Applicant: **SIGNIFY HOLDING B.V.**, Eindhoven (NL)

(72) Inventors: **Prince Wang**, Shanghai (CN); **Miel Wellens**, Peer (BE); **Jordin Guo**, Shanghai (CN); **Qing Guo**, Shanghai (CN); **Yi Li Liu**, Shanghai (CN)

(73) Assignee: **SIGNIFY HOLDING B.V.**, Eindhoven (NL)

(\*\*) Term: **15 Years**

(21) Appl. No.: **29/648,860**

(22) Filed: **May 24, 2018**

(30) **Foreign Application Priority Data**

Nov. 24, 2017 (EM) ..... 004521177-0002

(51) **LOC (12) Cl.** ..... **26-04**

(52) **U.S. Cl.**  
USPC ..... **D26/2**

(58) **Field of Classification Search**  
USPC ..... D26/1-4  
CPC ..... H01R 5/00; H01R 13/46; H01R 13/514;  
H01R 31/048; H01R 31/02; H01J 5/00;  
H01J 5/16; H01J 1/02; H01J 15/00; H01J  
5/48; H01J 5/50; H01J 19/54; F21V 5/00;  
F21K 9/00; F21K 13/00; F21K 9/13;  
F21K 9/135; F21K 9/1375

See application file for complete search history.

(56) **References Cited**

U.S. PATENT DOCUMENTS

D410,554 S *	6/1999	Guyton	.....	D26/2
D422,099 S *	3/2000	Kracke	.....	D26/2
D549,360 S *	8/2007	An	.....	D26/2
D550,864 S *	9/2007	Hernandez, Jr.	.....	D26/2
D689,215 S *	9/2013	Xue	.....	D26/2

\* cited by examiner

*Primary Examiner* — Marcus A Jackson

(74) *Attorney, Agent, or Firm* — Daniel J. Piotrowski

(57) **CLAIM**

The ornamental design for a “lamp,” as shown and described.

**DESCRIPTION**

FIG. 1 is a perspective view showing my design;

FIG. 2 is a front elevational view thereof;

FIG. 3 is a rear elevational view thereof;

FIG. 4 is a right side elevational view thereof;

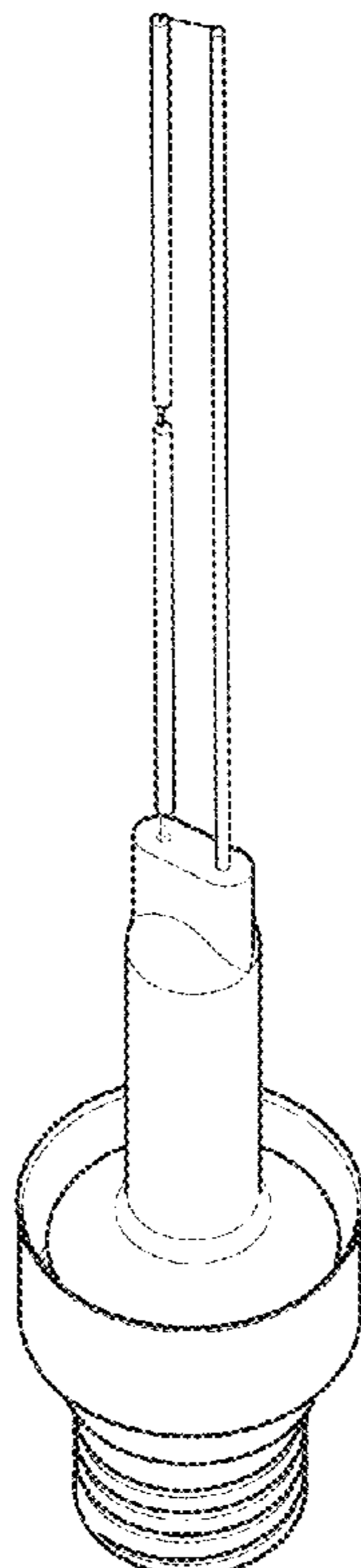
FIG. 5 is a left side elevational view thereof;

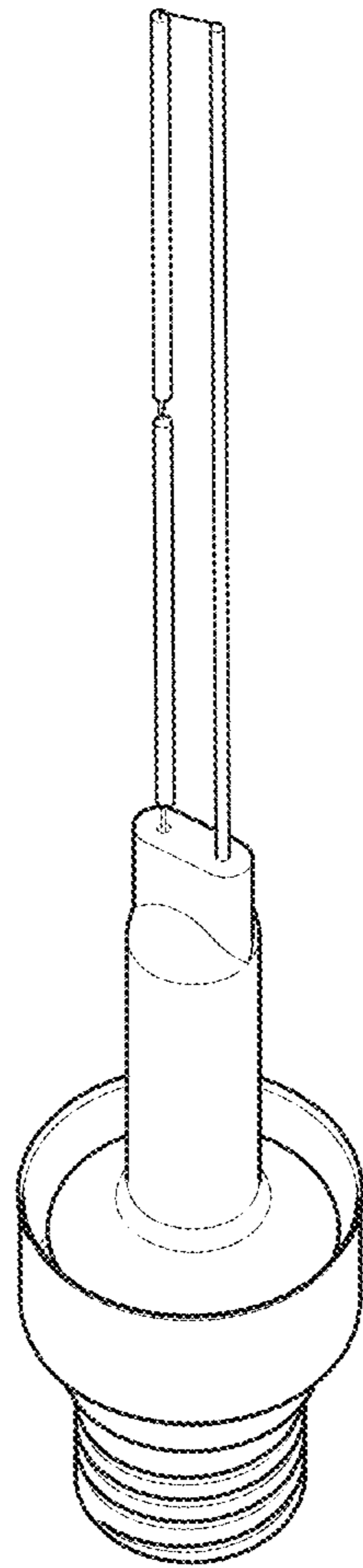
FIG. 6 is a top plan view thereof; and,

FIG. 7 is a bottom plan view thereof.

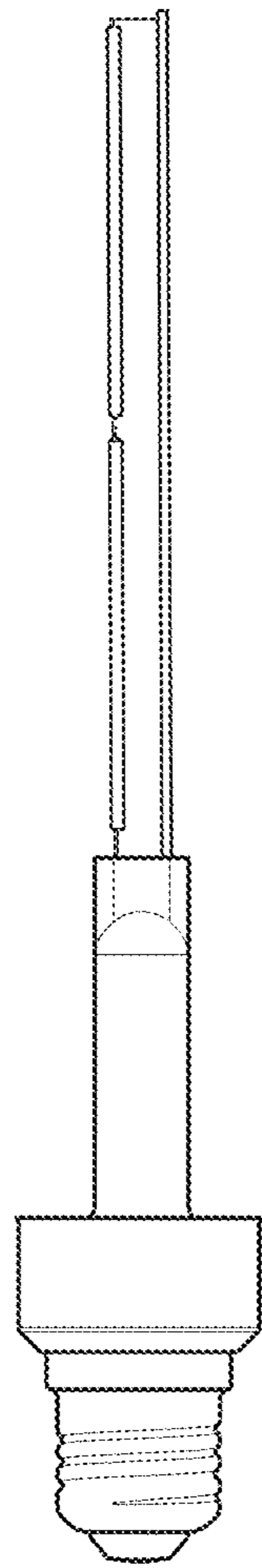
The dash-dot-dash broken lines shown represent the bounds of the claim and forms no part thereof and the dashed broken lines shown therein illustrate portions of the lamp that form no part of the claimed design.

**1 Claim, 4 Drawing Sheets**

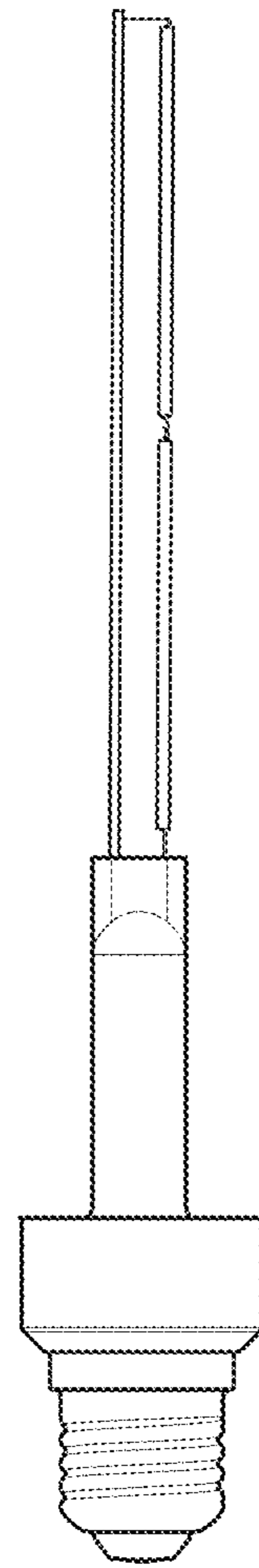




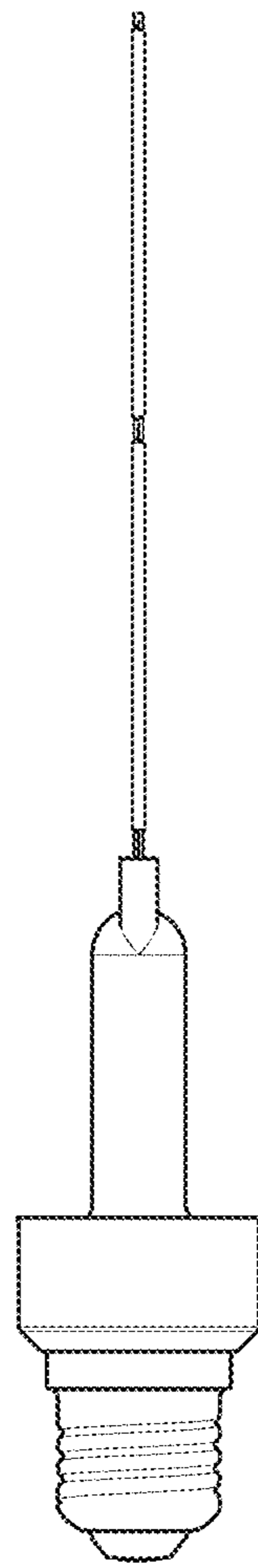
1.1



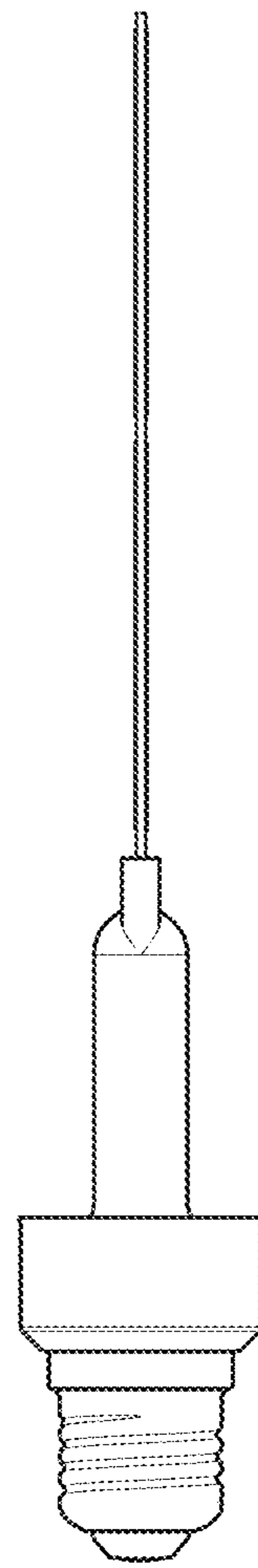
1.2



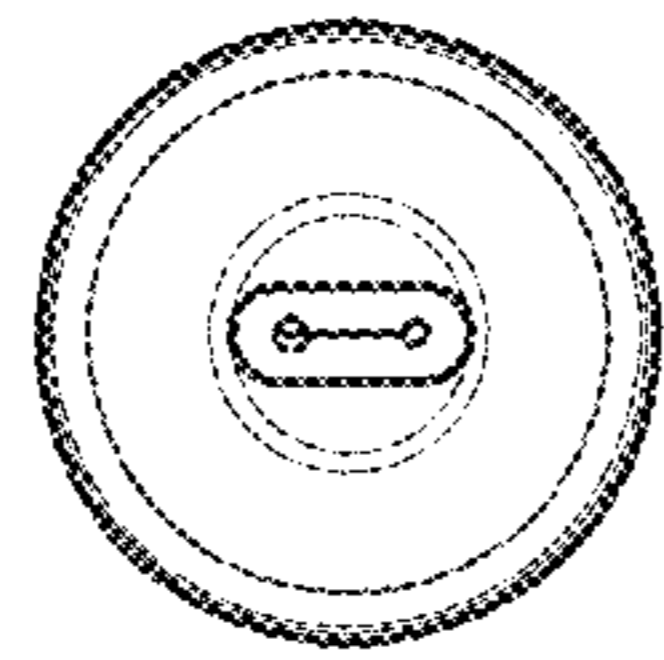
1.3



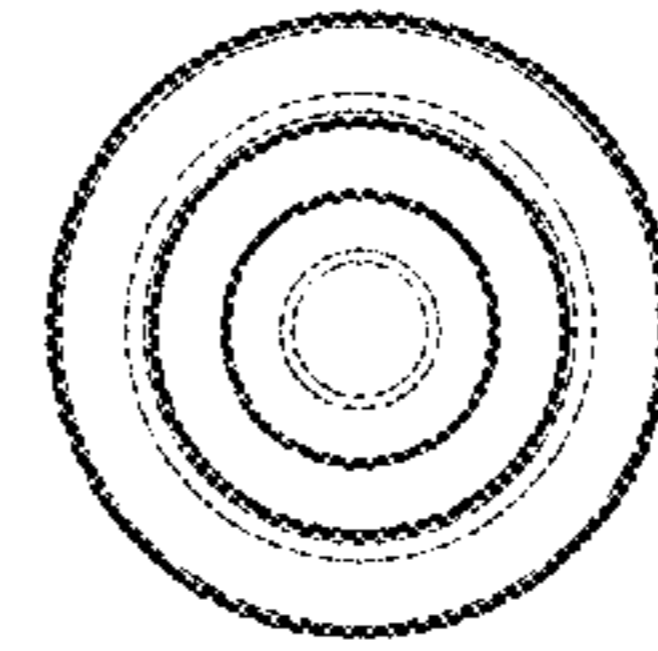
1.4



1.5



1.6



1.7