



US00D866801S

(12) **United States Design Patent**
Zombek

(10) **Patent No.:** **US D866,801 S**

(45) **Date of Patent:** **** Nov. 12, 2019**

(54) **ARCHITECTURAL METAL BUILDING
PANEL**

(71) Applicant: **NCI Group, Inc.**, Houston, TX (US)

(72) Inventor: **Thomas J. Zombek**, Canonsburg, PA
(US)

(73) Assignee: **NCI GROUP, INC.**, Houston, TX (US)

(**) Term: **15 Years**

(21) Appl. No.: **29/588,545**

(22) Filed: **Dec. 21, 2016**

Related U.S. Application Data

(62) Division of application No. 29/494,091, filed on Jun.
17, 2014, now Pat. No. Des. 778,465, which is a
(Continued)

(51) **LOC (12) Cl.** **25-01**

(52) **U.S. Cl.**
USPC **D25/141**

(58) **Field of Classification Search**
USPC D25/141, 38.1, 39, 119, 121, 125
(Continued)

(56) **References Cited**

U.S. PATENT DOCUMENTS

308,826 A 12/1884 Butz
520,371 A 5/1894 Mullins
(Continued)

OTHER PUBLICATIONS

Cascade—Centria (on-line), no date available. Retrieved from
Internet Apr. 13, 2018, URL: <https://www.centria.com/products/rainscreens/concealed-fastener-panels/cascade-metal-panels> (6 pages).*

(Continued)

Primary Examiner — Kevin K Rudzinski

Assistant Examiner — Kimberly Barnes

(74) *Attorney, Agent, or Firm* — Foley & Lardner LLP

(57) **CLAIM**

The ornamental design for an architectural metal building panel, as shown and described.

DESCRIPTION

FIG. 1 is an upper left front perspective view of an architectural metal building panel showing my new design in accordance with a first embodiment of the present invention; FIG. 2 is a left side view thereof; FIG. 3 is a front view thereof;

FIG. 4 is an upper left front perspective view of an architectural metal building panel showing my new design in accordance with a second embodiment of the present invention;

FIG. 5 is a left side view thereof;

FIG. 6 is a front view thereof;

FIG. 7 is an upper left front perspective view of an architectural metal building panel showing my new design in accordance with a third embodiment of the present invention;

FIG. 8 is a left side view thereof;

FIG. 9 is a front view thereof;

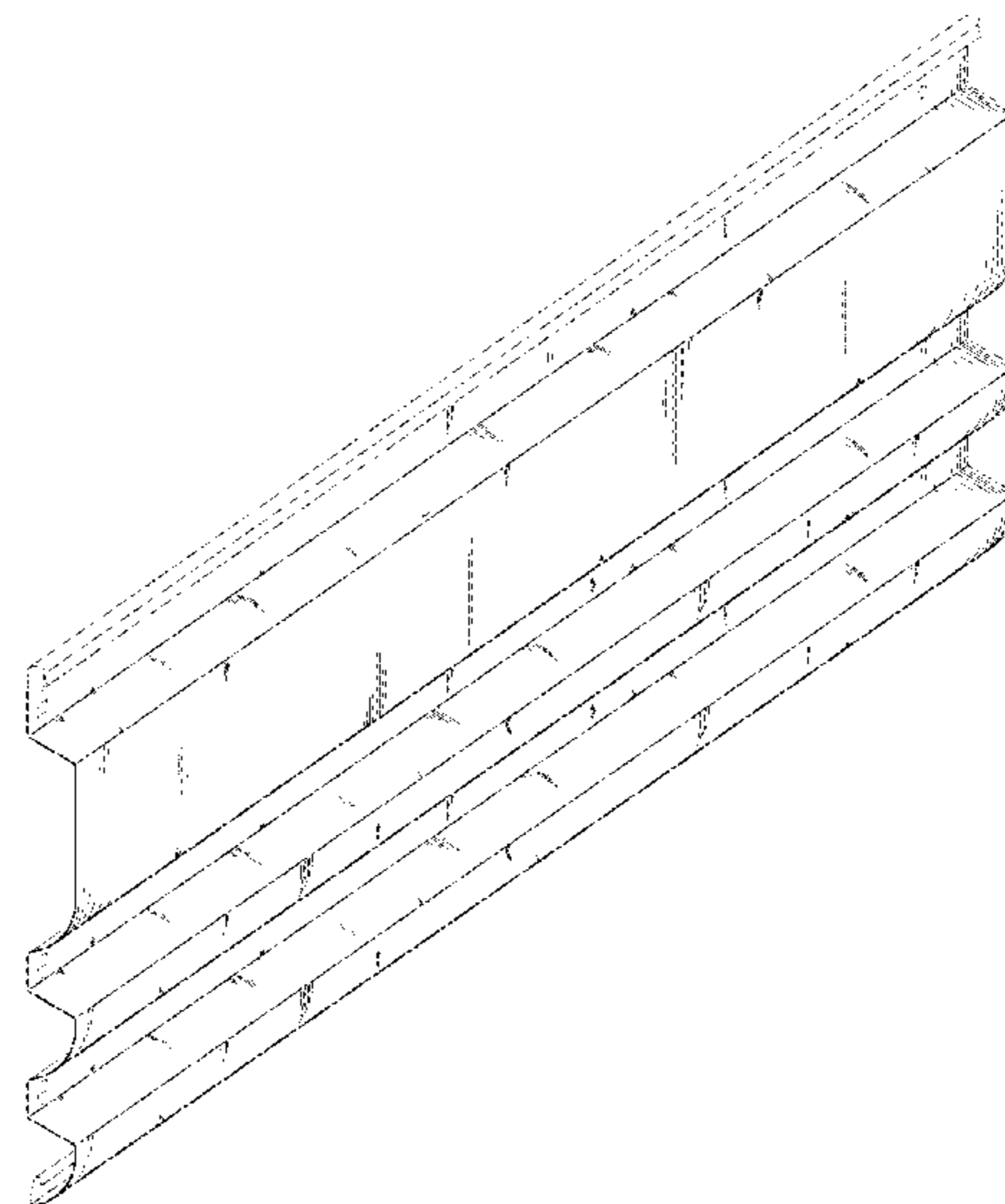
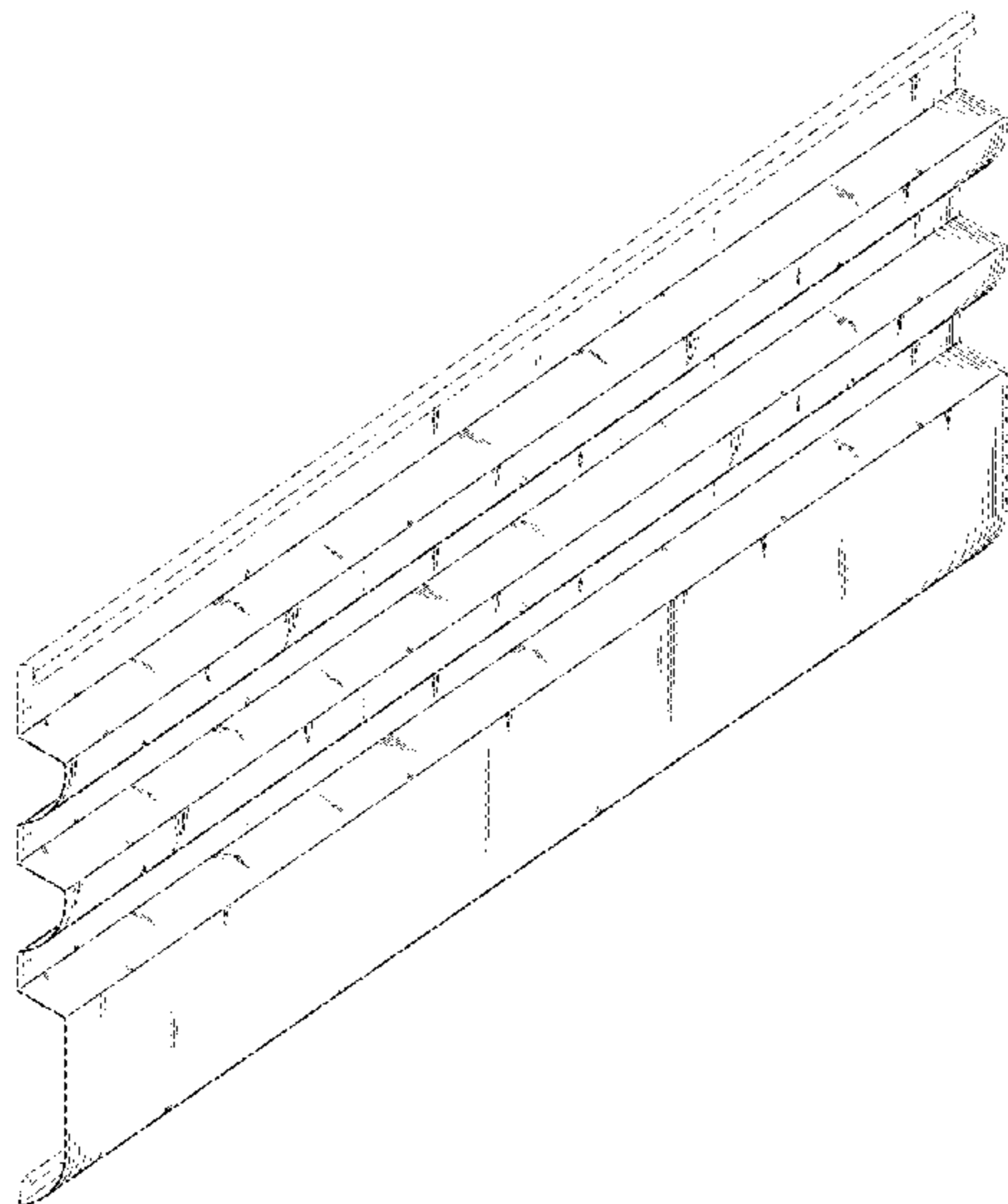
FIG. 10 is an upper left front perspective view of an architectural metal building panel showing my new design in accordance with a fourth embodiment of the present invention;

FIG. 11 is a left side view thereof; and,

FIG. 12 is a front view thereof.

The evenly broken lines in FIGS. 1-12 depict portions of the architectural metal building panel that form no part of the claimed design. The dash-dot-dash lines depict the boundaries of the architectural metal building panel and form no part thereof.

1 Claim, 8 Drawing Sheets



Related U.S. Application Data

division of application No. 29/434,163, filed on Oct. 10, 2012, now Pat. No. Des. 713,978.

(58) **Field of Classification Search**

CPC E04D 3/30; E04D 3/362; E04D 11/02; E04D 13/165; E04D 13/1643; E04B 1/6141; E04B 2/96; E04B 5/40; E04G 21/3261; E04G 23/0218; E04C 2/322; E04F 13/0864

See application file for complete search history.

(56) **References Cited**

U.S. PATENT DOCUMENTS

1,329,794 A * 2/1920 Moomaw E04D 3/362
52/522

2,406,863 A 9/1946 Swann

2,809,017 A * 10/1957 Wong E04H 17/143
256/24

3,041,784 A 7/1962 Facer et al.

3,218,772 A 11/1965 Martin

3,305,994 A 2/1967 Amrhein et al.

4,178,731 A 12/1979 Petersson

4,188,762 A 2/1980 Tellman

D259,143 S 5/1981 Aktinson

4,486,998 A * 12/1984 Hague E04D 3/3607
52/478

4,570,404 A * 2/1986 Knudson E04D 3/364
52/394

4,651,493 A * 3/1987 Carey E04D 3/3608
52/22

5,465,543 A 11/1995 Seifert

5,524,409 A 6/1996 Kaiser

5,651,227 A 7/1997 Anderson

5,752,355 A 5/1998 Sahramaa

5,775,042 A 7/1998 Mowery et al.

5,875,592 A 3/1999 Allman et al.

5,911,663 A 6/1999 Eidson

D421,137 S 2/2000 Marshall

6,141,932 A 11/2000 Tarrant

D449,120 S 10/2001 Kulik

D479,751 S 9/2003 Schofield

D497,434 S 10/2004 Brabeck

6,823,799 B2 11/2004 Gleave

D527,834 S 9/2006 Thimons et al.

D538,948 S 3/2007 Thimons et al.

7,186,457 B1 3/2007 Zehner et al.

7,698,865 B2 * 4/2010 Pringle E04F 13/0864
52/520

7,856,790 B2 * 12/2010 Jambois E04F 13/0864
52/519

7,908,814 B2 3/2011 Wilson et al.

7,954,292 B2 6/2011 Holt et al.

7,984,597 B2 * 7/2011 Mollinger B29C 47/0019
52/518

8,029,913 B2 10/2011 Mann

8,069,629 B2 * 12/2011 Rockwell D04H 1/4382
442/334

8,091,313 B2 1/2012 Wilson et al.

D667,963 S 9/2012 Griffiths

D668,353 S 10/2012 Griffiths

D668,354 S 10/2012 Griffiths

D668,356 S 10/2012 Griffiths

D668,357 S 10/2012 Griffiths

D677,401 S * 3/2013 Griffiths D25/119

D677,402 S 3/2013 Griffiths

D677,403 S 3/2013 Griffiths

D677,404 S 3/2013 Griffiths

D679,834 S 4/2013 Griffiths

D687,976 S 8/2013 Griffiths

D687,977 S 8/2013 Griffiths

D690,442 S 9/2013 Griffiths

D690,838 S 10/2013 Griffiths

D698,046 S 1/2014 Griffiths

8,621,810 B2 1/2014 Manser et al.

D698,944 S 2/2014 Griffiths

D698,946 S 2/2014 Griffiths

D698,947 S 2/2014 Griffiths

D700,364 S 2/2014 Griffiths

D700,365 S 2/2014 Griffiths

D700,366 S 2/2014 Griffiths

D704,862 S 5/2014 Boccuzzi et al.

8,756,892 B2 * 6/2014 Wilson E04F 13/007
52/302.3

D713,978 S 9/2014 Zombek

D732,701 S 6/2015 Griffiths

D733,328 S 6/2015 Griffiths

D733,329 S 6/2015 Griffiths

D734,501 S 7/2015 Bodwell et al.

D734,502 S 7/2015 Bodwell et al.

D735,355 S 7/2015 Bodwell et al.

9,091,078 B2 7/2015 Desch Nes

D736,953 S 8/2015 Griffiths

D736,962 S 8/2015 Bodwell et al.

D750,278 S 2/2016 Bodwell et al.

D778,465 S * 2/2017 Zombek D25/141

2004/0003566 A1 * 1/2004 Sicuranza E04F 13/0864
52/518

2005/0193674 A1 9/2005 Hatkoff

2010/0205883 A1 8/2010 Carson

2017/0089077 A1 3/2017 Olvey et al.

OTHER PUBLICATIONS

Cascade Metal Panel System—YouTube (on-line), dated Oct. 21, 2013. Retrieved from Internet Apr. 13, 2018, URL: <https://www.youtube.com/watch?v=XG4nRBSLuhg> (1 page).*

Cascade Horizontal/Vertical Metal Panels CC-662 Centria (on-line), dated Aug. 4, 2016. Retrieved from Internet Apr. 13, 2018, URL: <https://bimobject.com/en-us/centria/product/centria-662> (2 pages).*

ATAS, Inc., BKR 160 Panel, 2002, 3 pages.

Centria, FWDS 59 Panel, 2002, 4 pages.

Centria, IW 60A Panel, 1996, 2 pages.

ATAS, Inc., MPH 080 Panel, 2000, 6 pages.

ATAS, Inc, MPS 120 Panel, 2000, 6 pages.

“Commercial & Industrial Metal Wall Systems,” Robertson Product Brochure, 1994, 16 pages.

Firestone Building Products Delta CFP-162C (on-line), dated Apr. 26, 2013. Retrieved from Internet Sep. 30, 2016, URL: <https://web.archive.org/web/20130426150101/http://firestonebpc.com/wall/profile-panels/concealed-fastener-panels/delta-cfp-162c/> (2 pages).

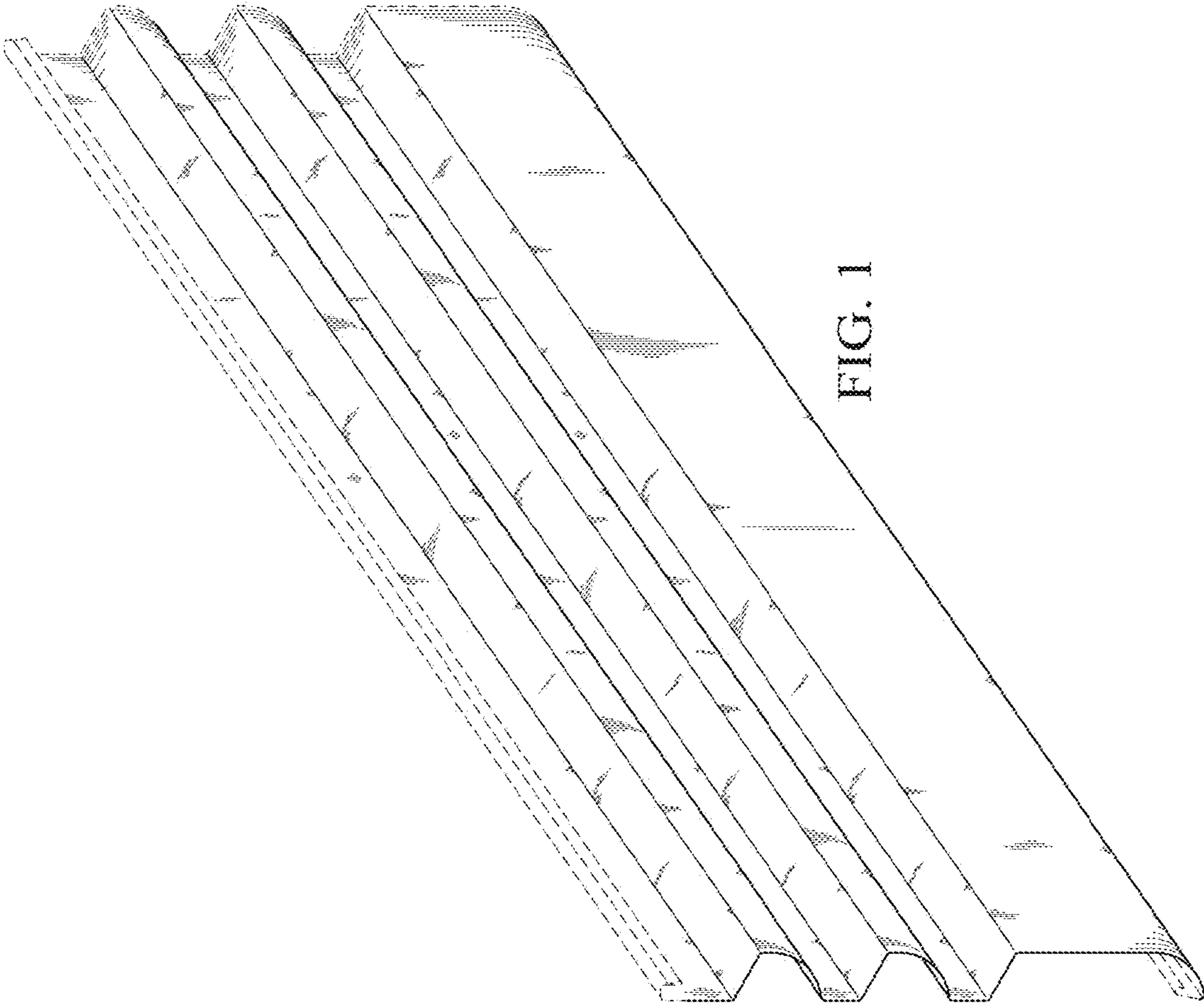
Parkpanel Metal Cladding (on-line), dated Jul. 6, 2012. Retrieved from Internet Sep. 30, 2016, URL: http://parkpanels.en.ec21.com/Metal_Cladding--6856293.html (2 pages).

Pacific Erectors Centria Concept Series Wall Panel Systems (on-line), dated Sep. 1, 2015. Retrieved from Internet Sep. 30, 2016, URL: <https://web.archive.org/web/20150901124618/http://www.pacificerectors.com/centria-concept-series-metal-wall-panels/> (2 pages).

Design U.S. Appl. No. 29/654,492, Non-Final Office Action, dated Feb. 11, 2019, 6 pgs.

U.S. Appl. No. 29/654,492, Notice of Allowance, dated Jul. 10, 2019, 7 pgs.

* cited by examiner



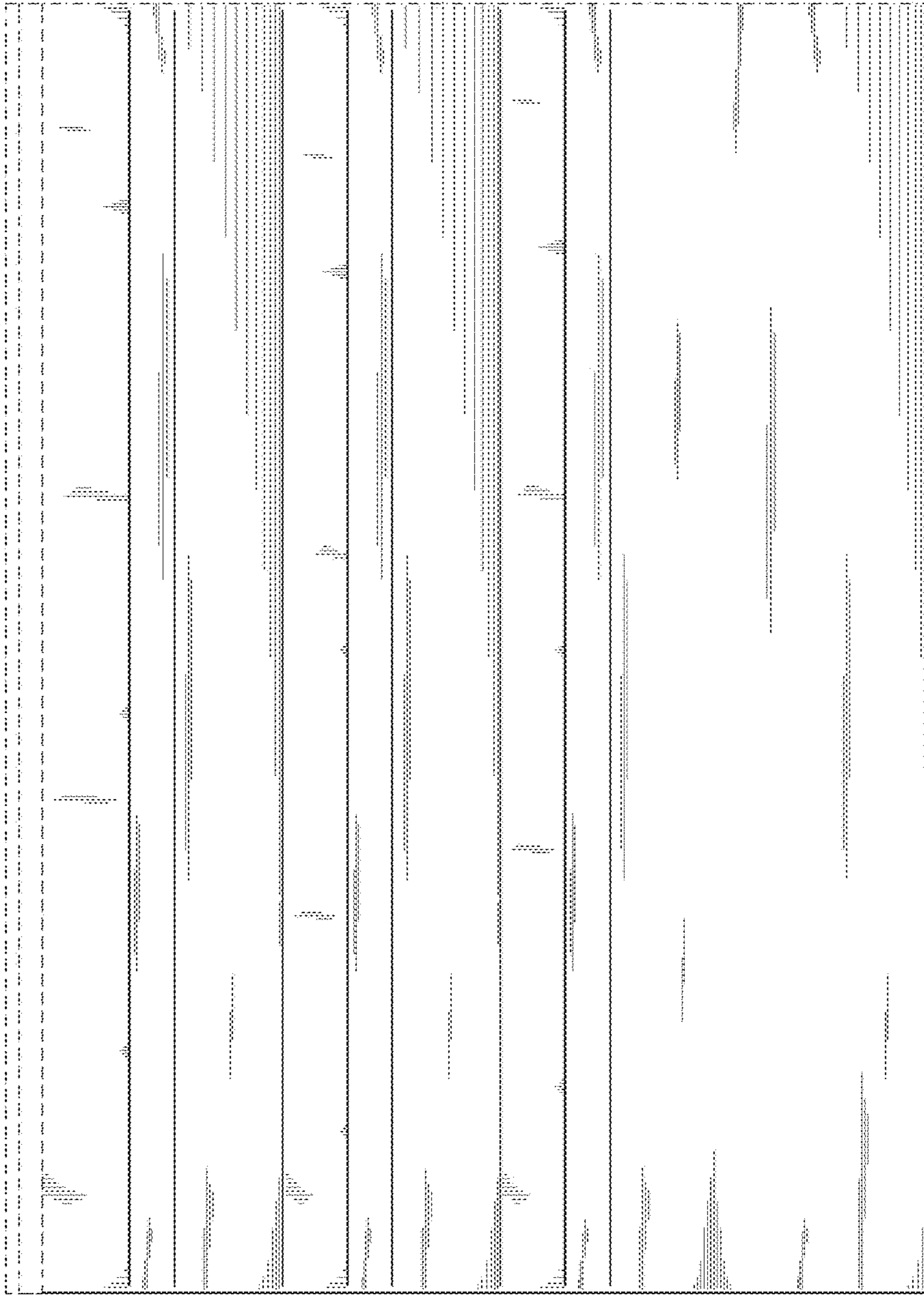


FIG. 2

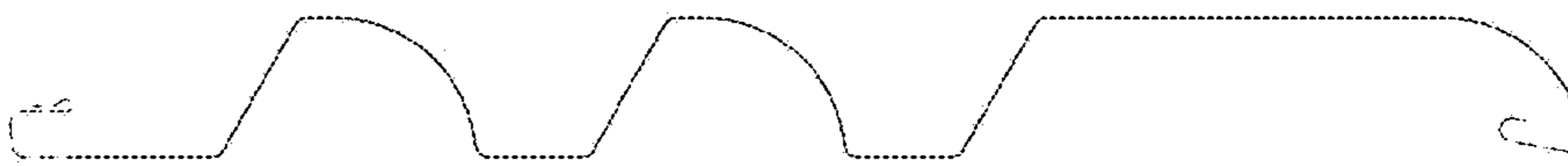


FIG. 3

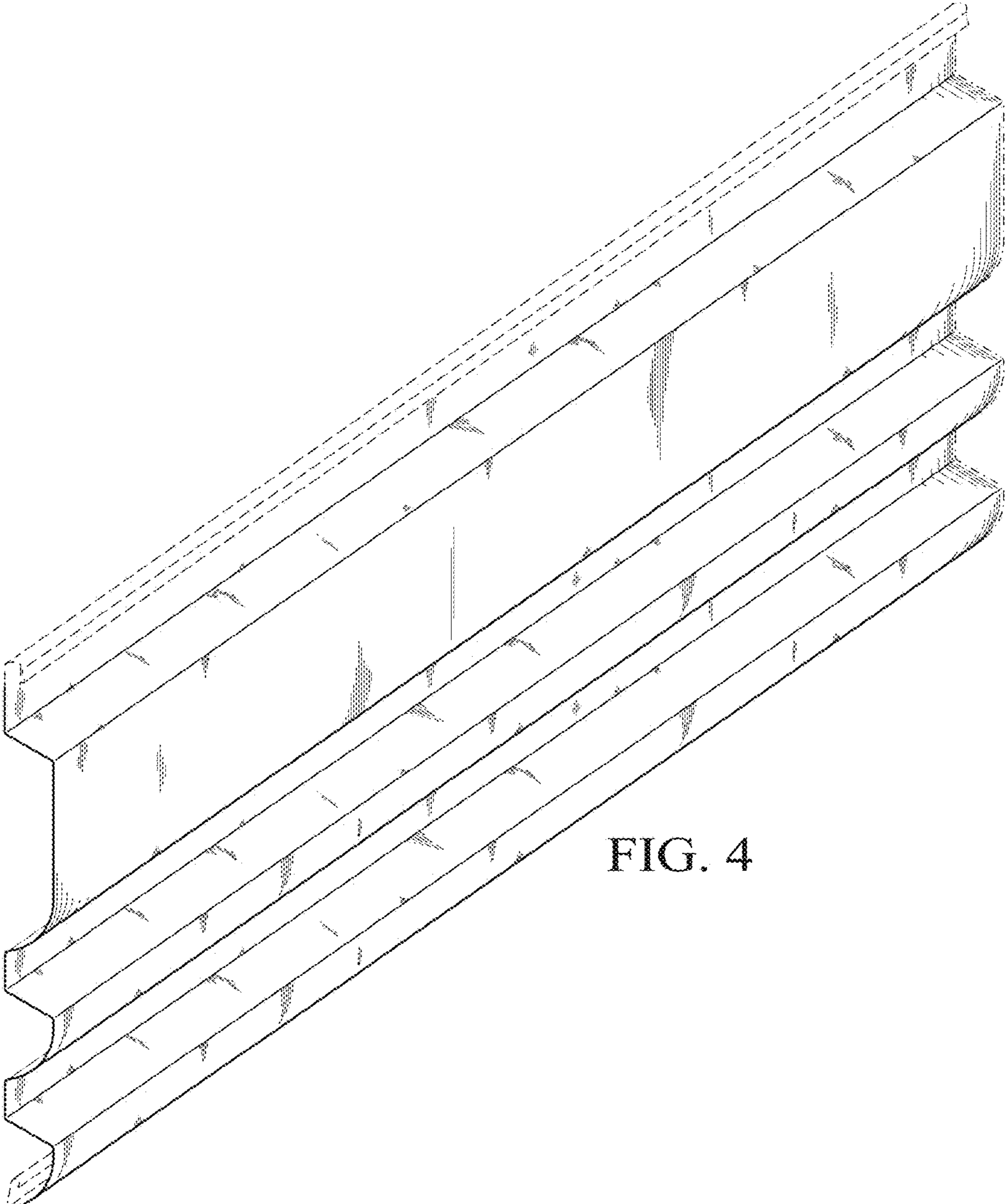


FIG. 4

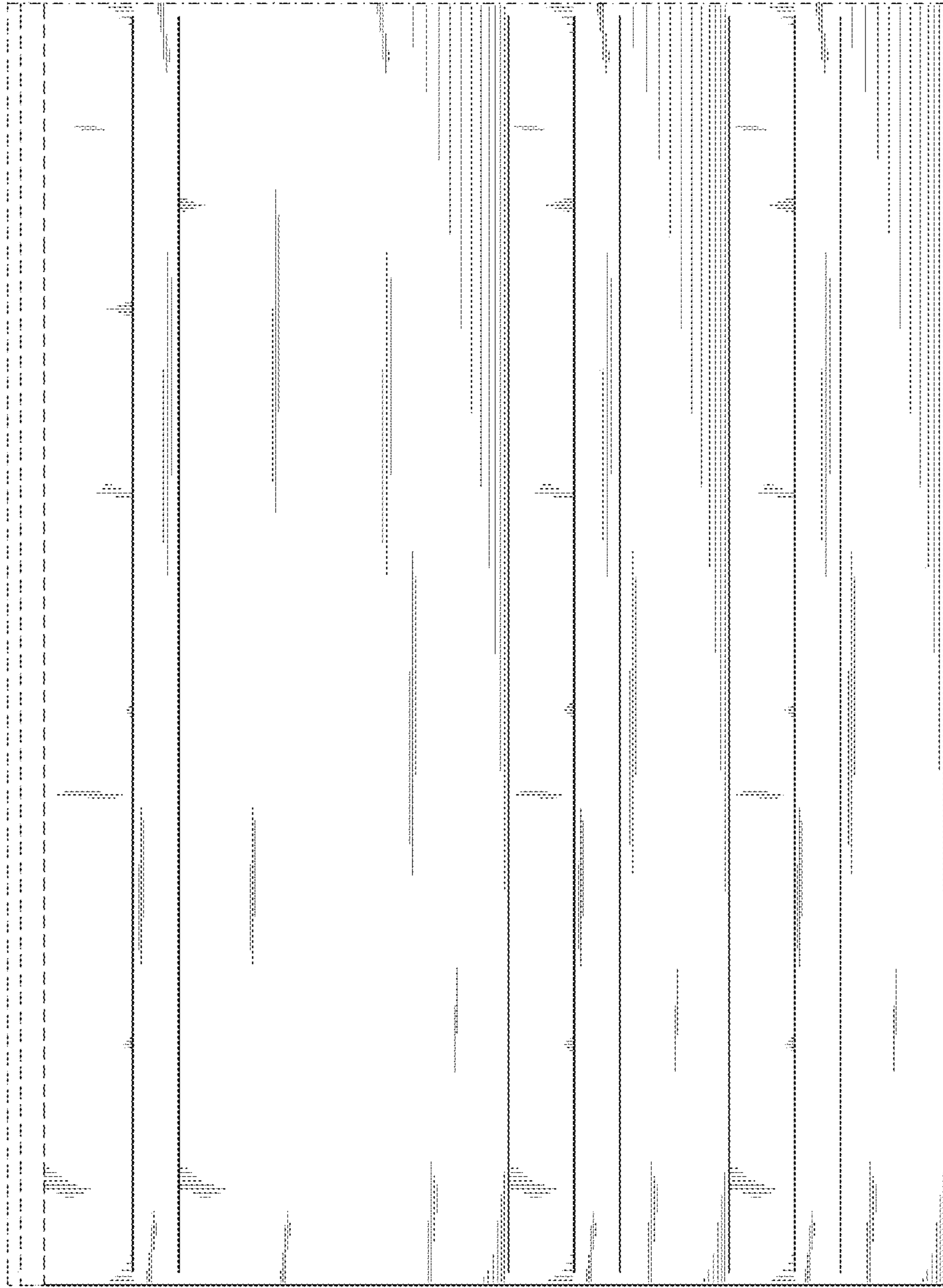


FIG. 5

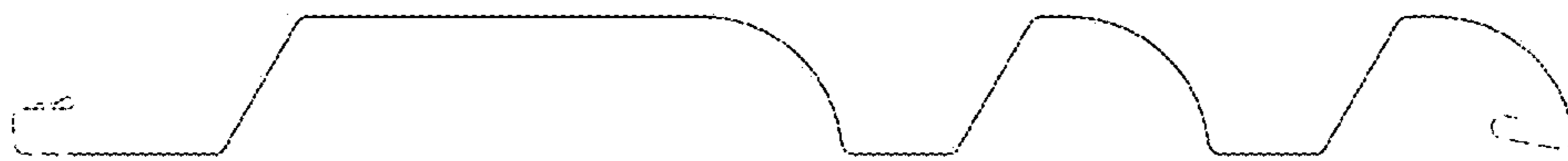


FIG. 6

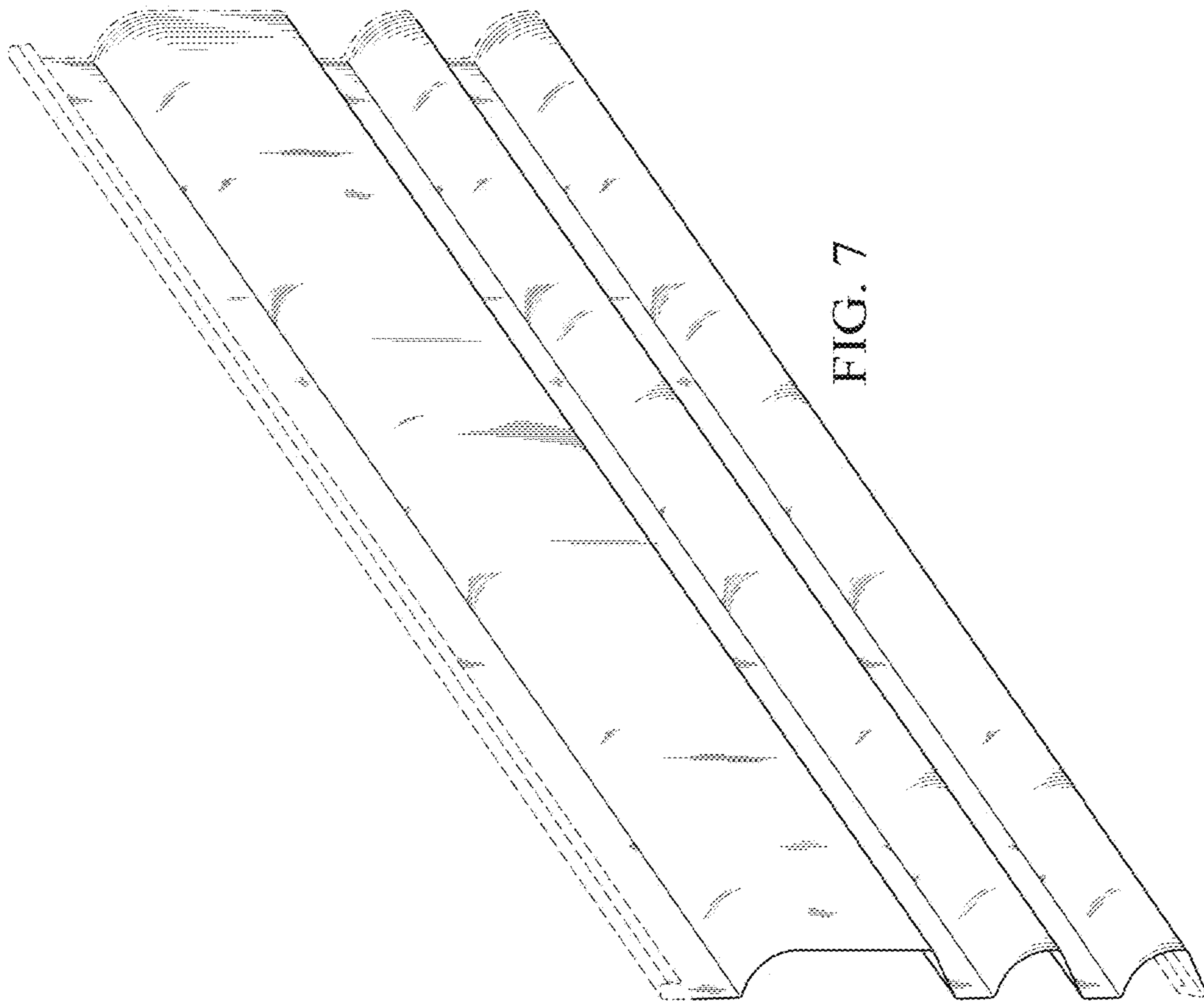


FIG. 7

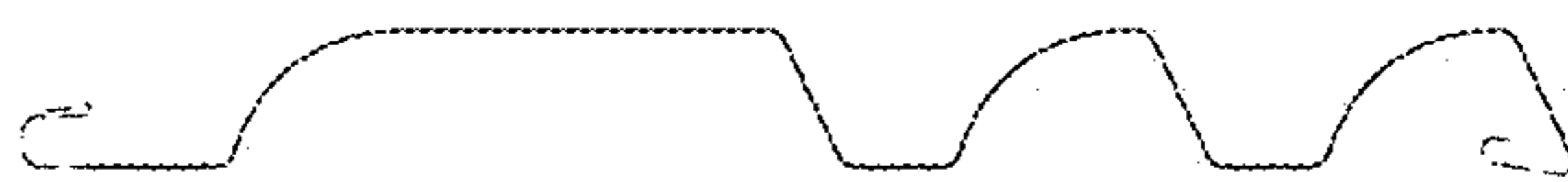


FIG. 8

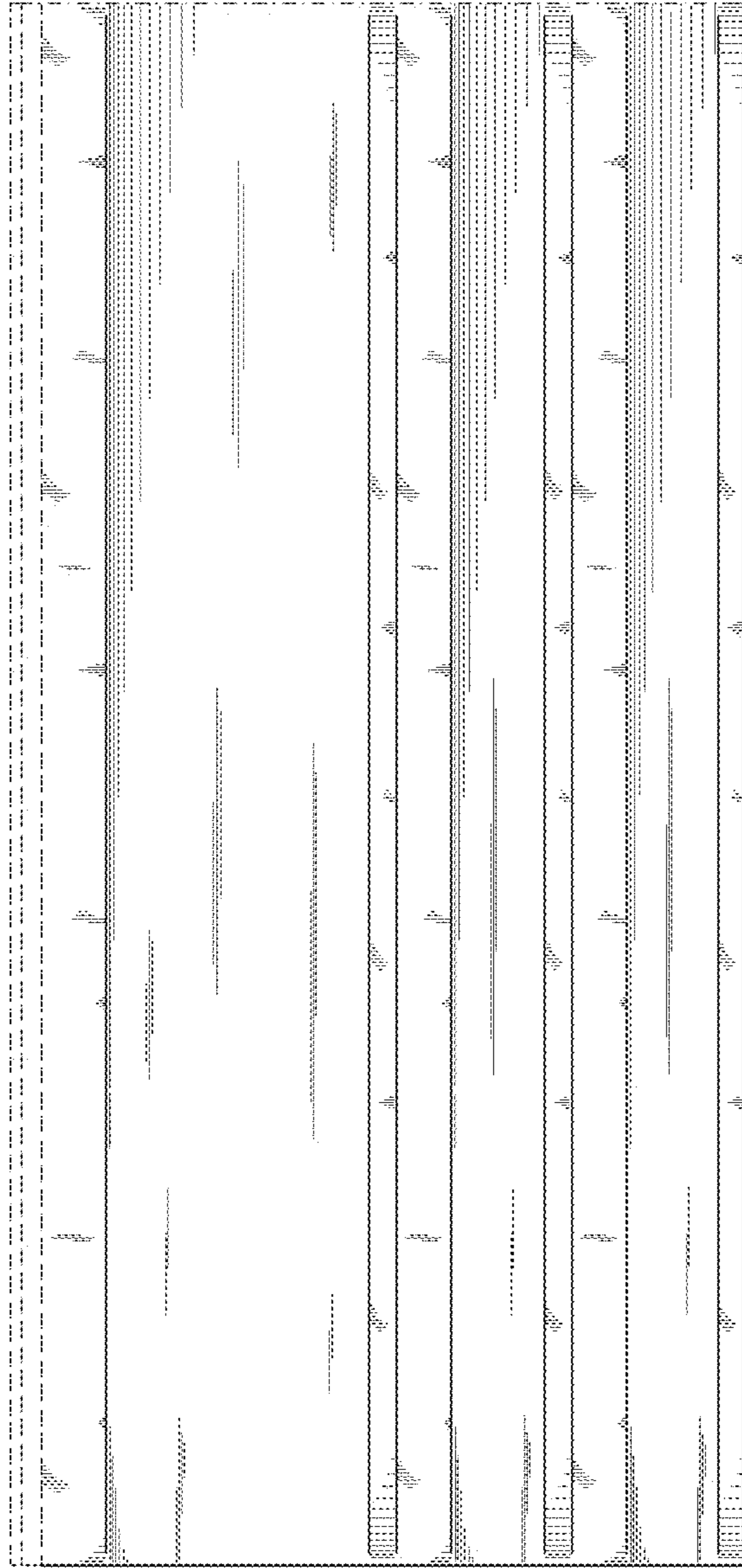


FIG. 9

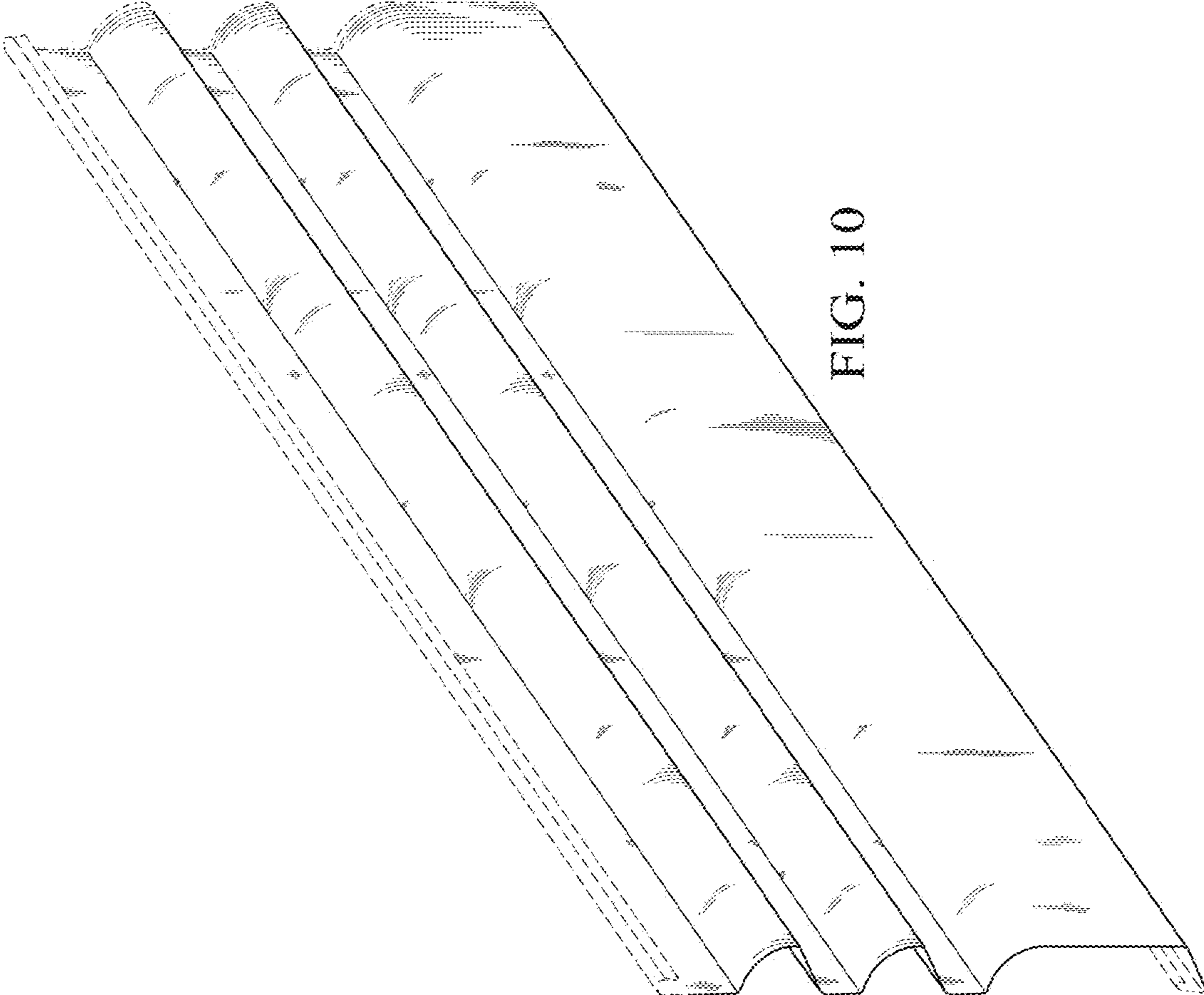


FIG. 10



FIG. 11

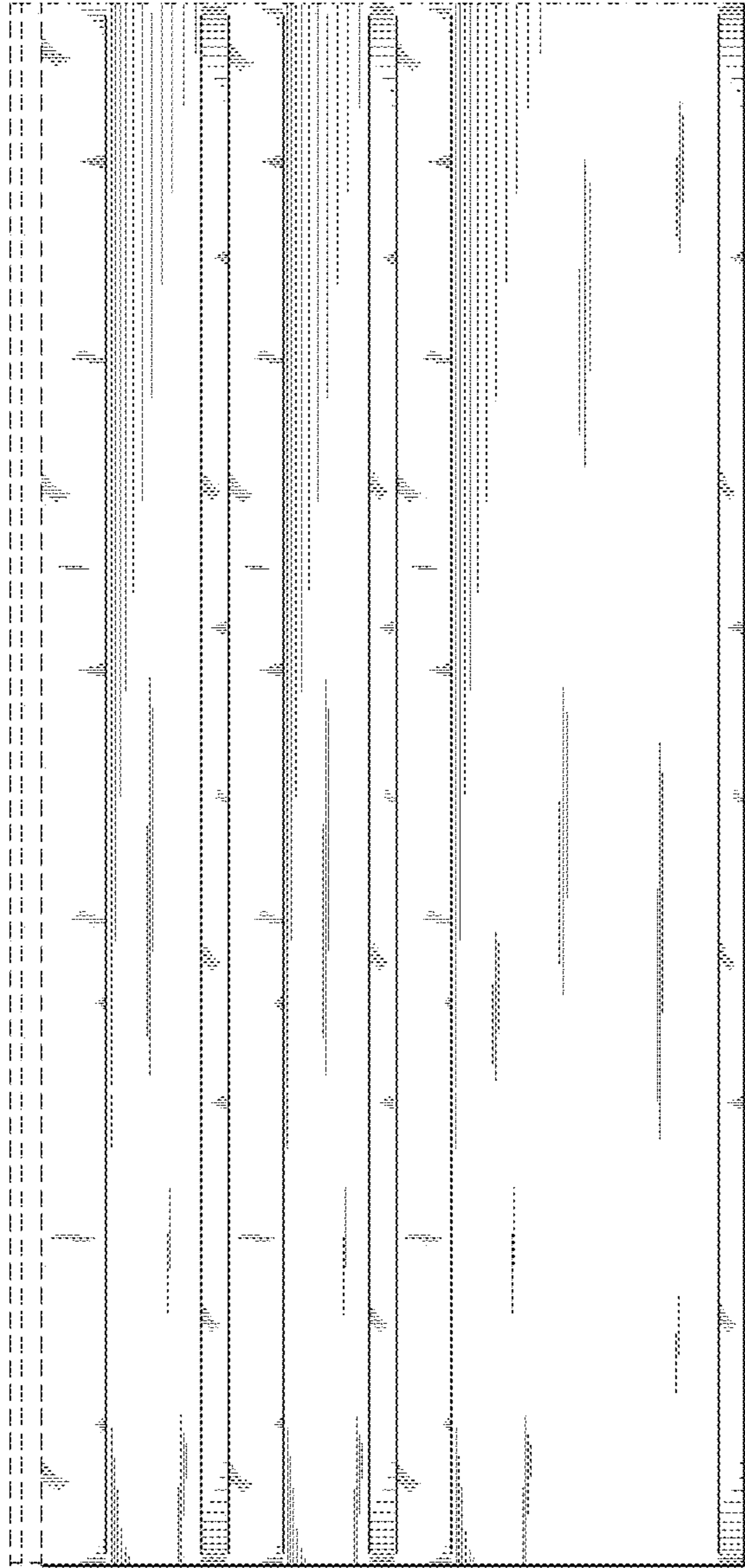


FIG. 12