

US00D866799S

(12) **United States Design Patent** (10) **Patent No.:** **US D866,799 S**
Riccobene et al. (45) **Date of Patent:** **** Nov. 12, 2019**

(54) **LANDSCAPING BLOCK**

(71) Applicants: **Dominic T. Riccobene**, Los Ranchos, NM (US); **Thomas S. Riccobene**, Albuquerque, NM (US); **David M. LaCroix**, St. Paul, MN (US)

(72) Inventors: **Dominic T. Riccobene**, Los Ranchos, NM (US); **Thomas S. Riccobene**, Albuquerque, NM (US); **David M. LaCroix**, St. Paul, MN (US)

(73) Assignee: **KEYSTONE RETAINING WALL SYSTEMS LLC**, West Chester, OH (US)

(**) Term: **15 Years**

(21) Appl. No.: **29/643,566**

(22) Filed: **Apr. 10, 2018**

Related U.S. Application Data

(63) Continuation of application No. 29/639,866, filed on Mar. 9, 2018.

(51) **LOC (12) Cl.** **25-01**

(52) **U.S. Cl.**
USPC **D25/113**

(58) **Field of Classification Search**
USPC D21/484-491, 499-502; D25/112-118
(Continued)

(56) **References Cited**

U.S. PATENT DOCUMENTS

2,315,418 A 3/1943 Haaker
2,344,302 A 3/1944 Harza
(Continued)

FOREIGN PATENT DOCUMENTS

KR 300462839.0000 * 9/2007

Primary Examiner — Leanne Was-Englehart
(74) *Attorney, Agent, or Firm* — Popovich, Wiles & O'Connell, P.A.

(57) **CLAIM**

The ornamental design for a landscaping block, as shown and described.

DESCRIPTION

FIG. 1 is a top front perspective view of an embodiment of a landscaping block;
FIG. 2 is a top rear perspective view thereof;
FIG. 3 is a front elevational view thereof;
FIG. 4 is a rear elevational view thereof;
FIG. 5 is a top plan view thereof;
FIG. 6 is a bottom plan view thereof;
FIG. 7 is a first side elevational view thereof;
FIG. 8 is a second side elevational view thereof;
FIG. 9 is a top front perspective view of a first variant of the landscaping block of FIGS. 1 to 8;
FIG. 10 is a top rear perspective view thereof;
FIG. 11 is a front elevational view thereof;
FIG. 12 is a rear elevational view thereof;
FIG. 13 is a top plan view thereof;
FIG. 14 is a bottom plan view thereof;
FIG. 15 is a first side elevational view thereof;
FIG. 16 is a second side elevational view thereof;
FIG. 17 is a top front perspective view of a second variant of the landscaping block of FIGS. 1 to 8;
FIG. 18 is a top rear perspective view thereof;
FIG. 19 is a front elevational view thereof;
FIG. 20 is a rear elevational view thereof;
FIG. 21 is a top plan view thereof;
FIG. 22 is a bottom plan view thereof;
FIG. 23 is a first side elevational view thereof;
FIG. 24 is a second side elevational view thereof;
FIG. 25 is a top front perspective view of a third variant of the landscaping block of FIGS. 1 to 8;
FIG. 26 is a top rear perspective view thereof;
FIG. 27 is a front elevational view thereof;
FIG. 28 is a rear elevational view thereof;
FIG. 29 is a top plan view thereof;
FIG. 30 is a bottom plan view thereof;
FIG. 31 is a first side elevational view thereof;
FIG. 32 is a second side elevational view thereof;

(Continued)

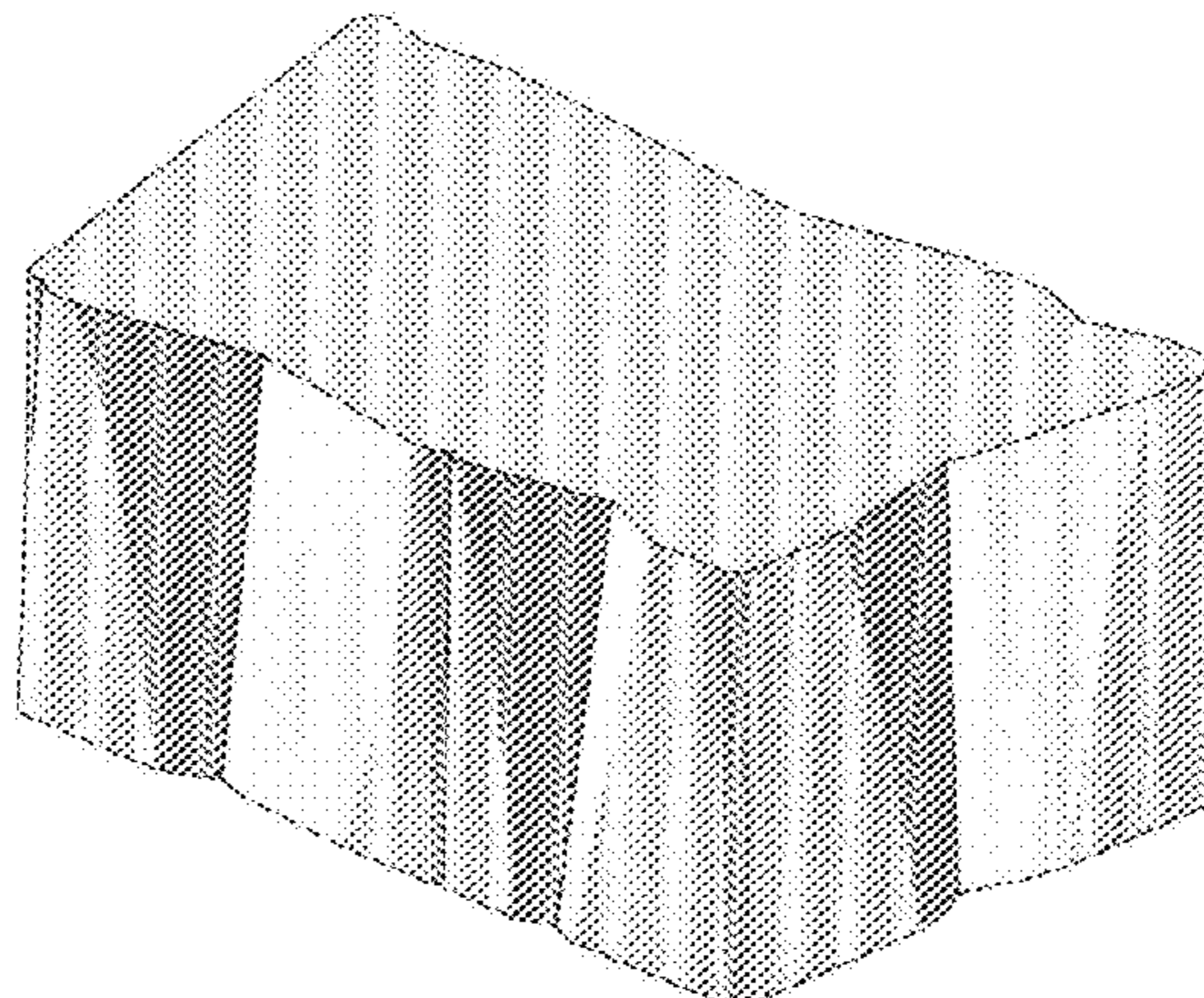
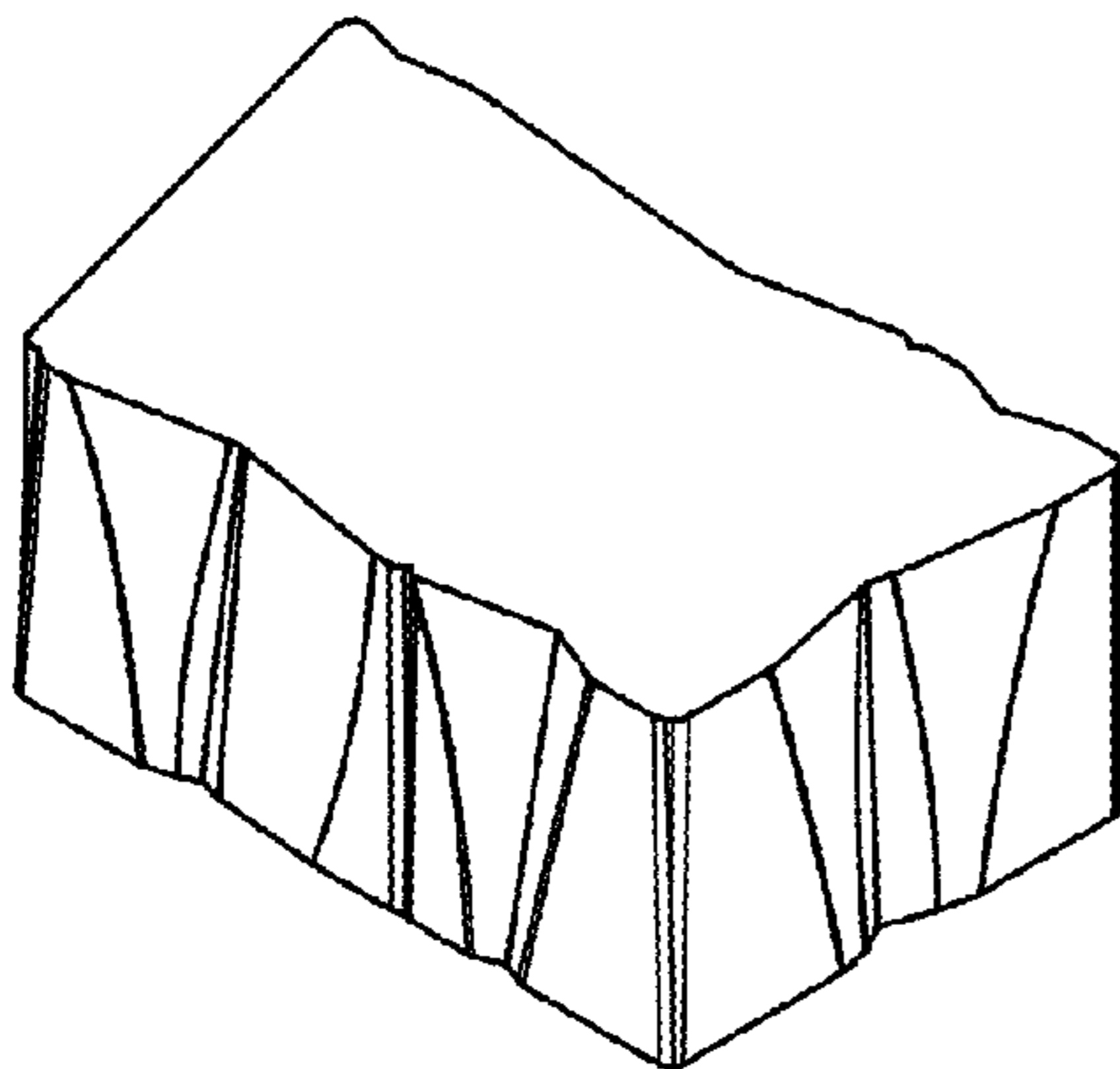


FIG. 33 is a top front perspective view of a second embodiment of a landscaping block;
 FIG. 34 is a top rear perspective view thereof;
 FIG. 35 is a front elevational view thereof;
 FIG. 36 is a rear elevational view thereof;
 FIG. 37 is a top plan view thereof;
 FIG. 38 is a bottom plan view thereof;
 FIG. 39 is a first side elevational view thereof;
 FIG. 40 is a second side elevational view thereof;
 FIG. 41 is a top front perspective view of a first variant of the landscaping block of FIGS. 33 to 40;
 FIG. 42 is a top rear perspective view thereof;
 FIG. 43 is a front elevational view thereof;
 FIG. 44 is a rear elevational view thereof;
 FIG. 45 is a top plan view thereof;
 FIG. 46 is a bottom plan view thereof;
 FIG. 47 is a first side elevational view thereof;
 FIG. 48 is a second side elevational view thereof;
 FIG. 49 is a top front perspective view of a second variant of the landscaping block of FIGS. 33 to 40;
 FIG. 50 is a top rear perspective view thereof;
 FIG. 51 is a front elevational view thereof;
 FIG. 52 is a rear elevational view thereof;
 FIG. 53 is a top plan view thereof;
 FIG. 54 is a bottom plan view thereof;
 FIG. 55 is a first side elevational view thereof;
 FIG. 56 is a second side elevational view thereof;
 FIG. 57 is a top front perspective view of a third variant of the landscaping block of FIGS. 33 to 40;
 FIG. 58 is a top rear perspective view thereof;
 FIG. 59 is a front elevational view thereof;
 FIG. 60 is a rear elevational view thereof;
 FIG. 61 is a top plan view thereof;
 FIG. 62 is a bottom plan view thereof;
 FIG. 63 is a first side elevational view thereof; and,
 FIG. 64 is a second side elevational view thereof.

1 Claim, 8 Drawing Sheets

(58) **Field of Classification Search**
 CPC E04F 13/007; E04F 13/0871; E04F 13/14;

E04F 13/22; E04F 13/24; E04B 1/625;
 E04B 1/5837; E04B 2001/5887

See application file for complete search history.

(56)

References Cited

U.S. PATENT DOCUMENTS

2,957,278	A	10/1960	Woodworth	
4,335,549	A	6/1982	Dean, Jr.	
4,532,748	A	8/1985	Rotherham	
4,738,059	A	4/1988	Dean, Jr.	
D340,772	S	10/1993	Harrison	
5,348,417	A	9/1994	Scheiwiller	
5,732,518	A	3/1998	Roberts	
6,471,440	B1	10/2002	Scheiwiller	
6,907,705	B2	6/2005	Dean et al.	
7,140,867	B2	11/2006	Scherer et al.	
7,208,112	B2	4/2007	Scherer	
D578,224	S *	10/2008	Lacas	D25/113
D579,576	S *	10/2008	Lacas	D25/113
D584,834	S *	1/2009	Lacas	D25/113
D601,267	S *	9/2009	Merault	D25/113
D646,400	S *	10/2011	Harris	D25/113
D646,401	S *	10/2011	Harris	D25/113
8,101,113	B2	1/2012	Castonguay et al.	
D661,407	S	6/2012	Riccobene	
8,268,223	B2	9/2012	Manthei	
D674,510	S	1/2013	Riccobene	
D680,233	S	4/2013	Riccobene	
D680,663	S	4/2013	Riccobene	
D680,664	S	4/2013	Riccobene	
8,425,146	B2	4/2013	Merriam	
8,434,971	B2	5/2013	Dawson et al.	
D686,346	S *	7/2013	Riccobene	D25/113
D695,918	S *	12/2013	Dignard	D25/113
D695,919	S *	12/2013	Dignard	D25/113
9,021,761	B2	5/2015	Riccobene et al.	
D743,055	S	11/2015	MacDonald et al.	
D765,270	S	8/2016	MacDonald et al.	
D765,880	S	9/2016	MacDonald et al.	
9,832,934	B2	12/2017	Riccobene et al.	
9,834,902	B2	12/2017	MacDonald et al.	
2003/0007834	A1	1/2003	Bolduc et al.	
2008/0307740	A1	12/2008	MacDonald	
2014/0140766	A1	5/2014	Riccobene et al.	
2015/0097312	A1	4/2015	MacDonald et al.	

* cited by examiner

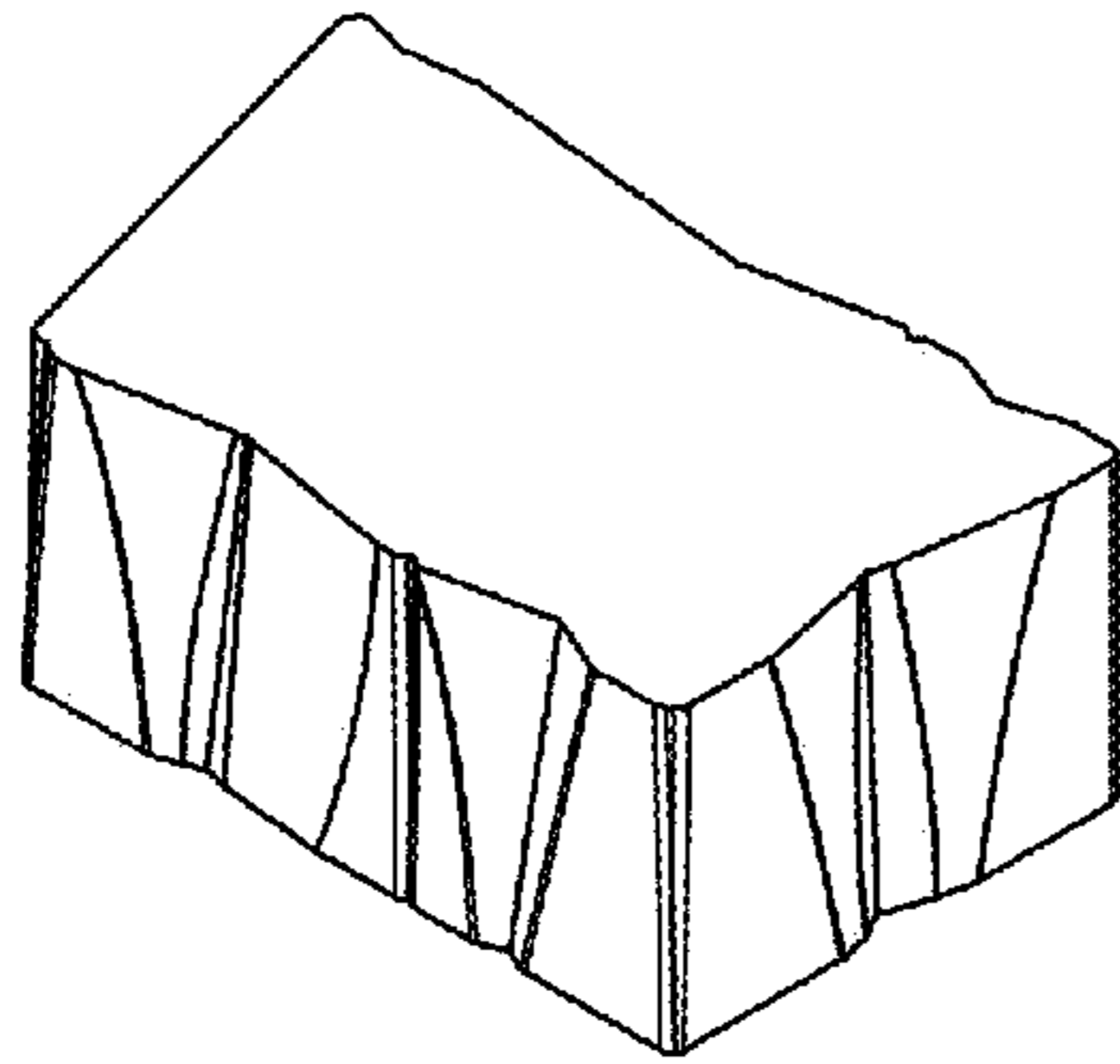


FIG. 1

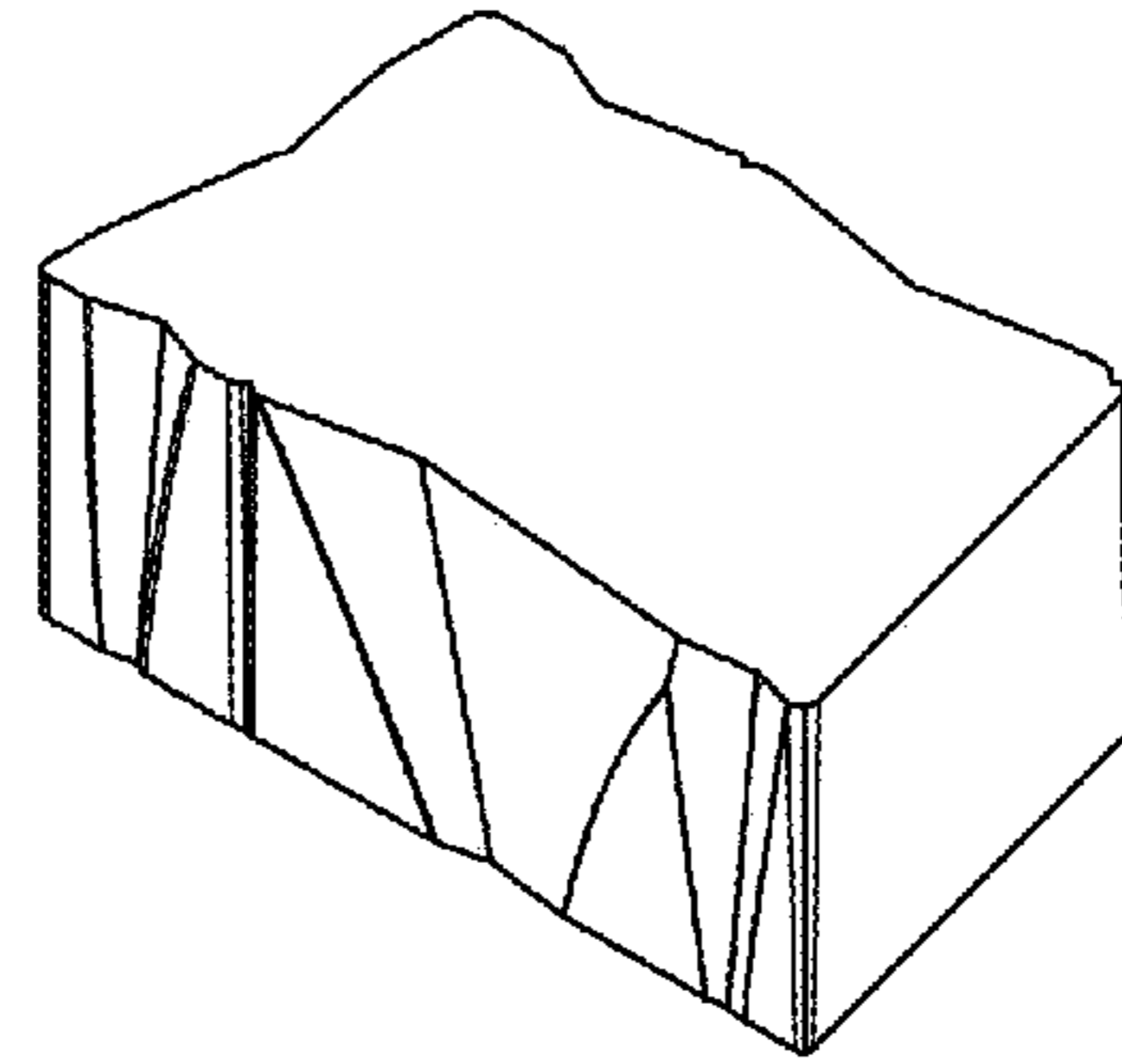


FIG. 2

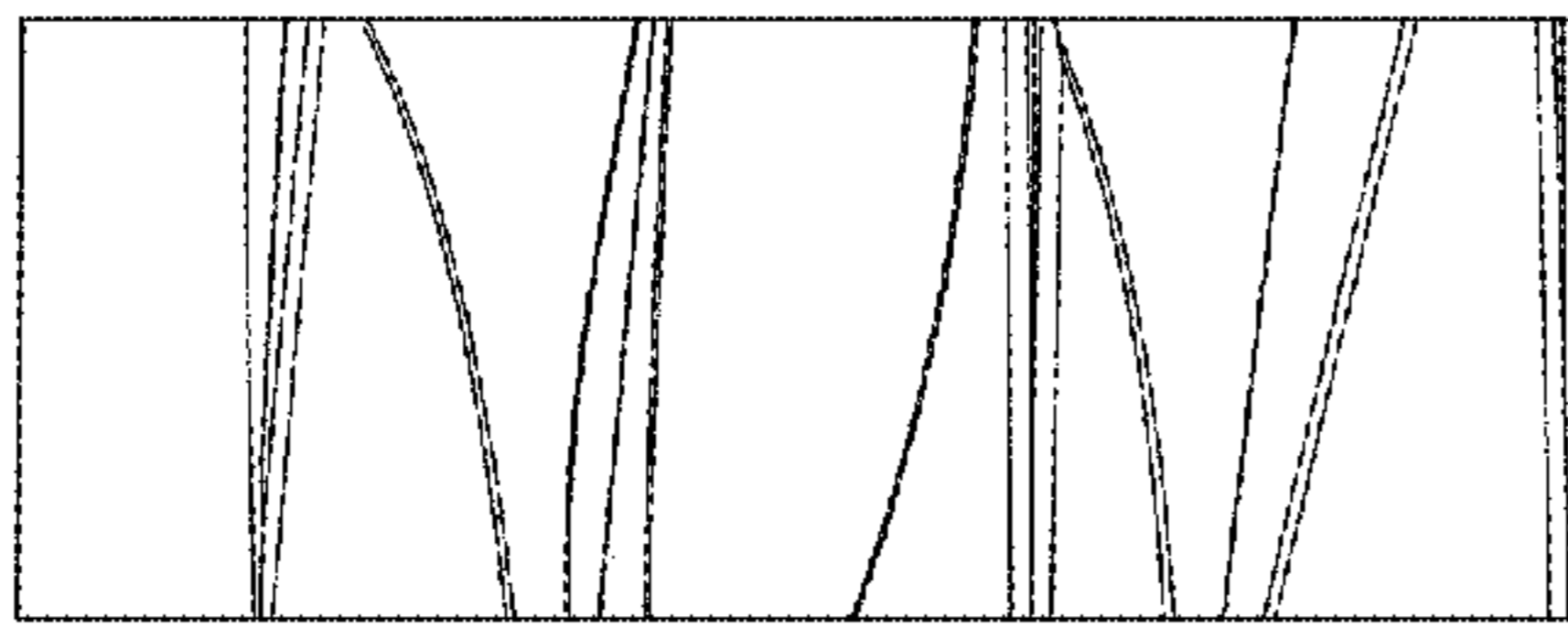


FIG. 3

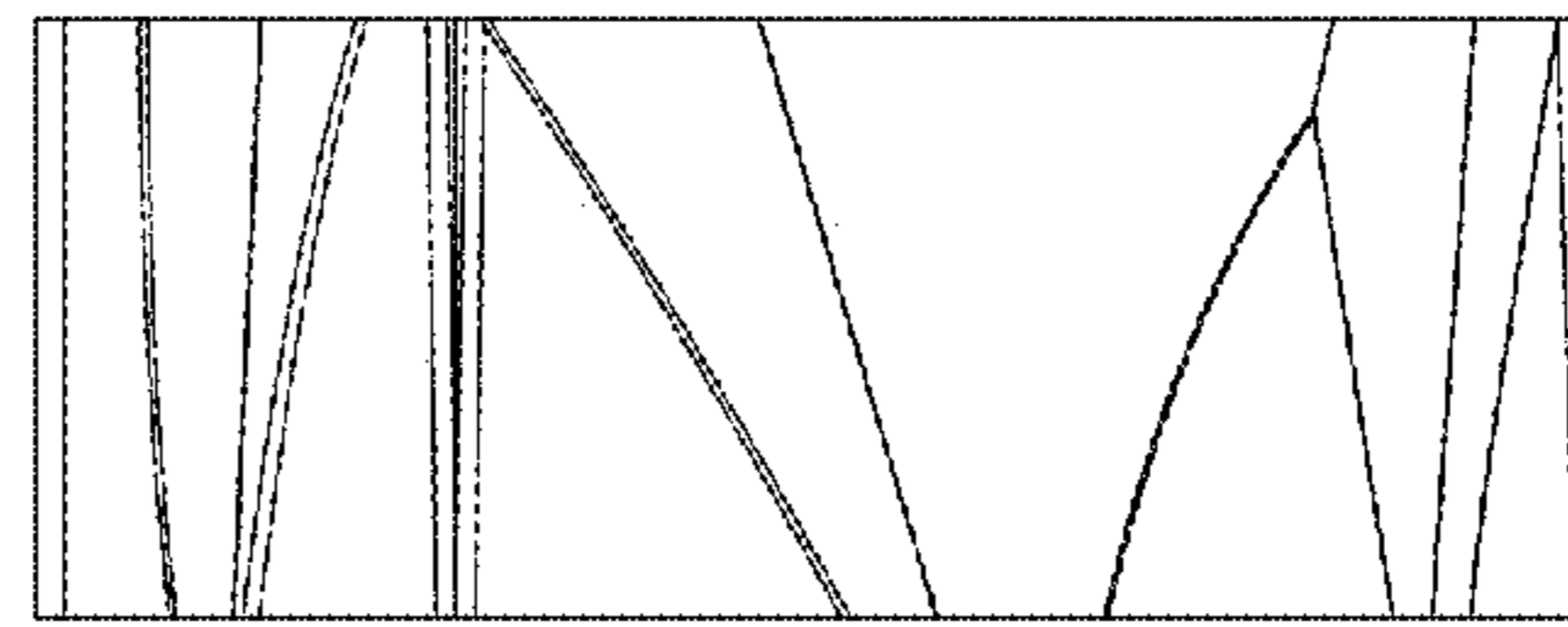


FIG. 4

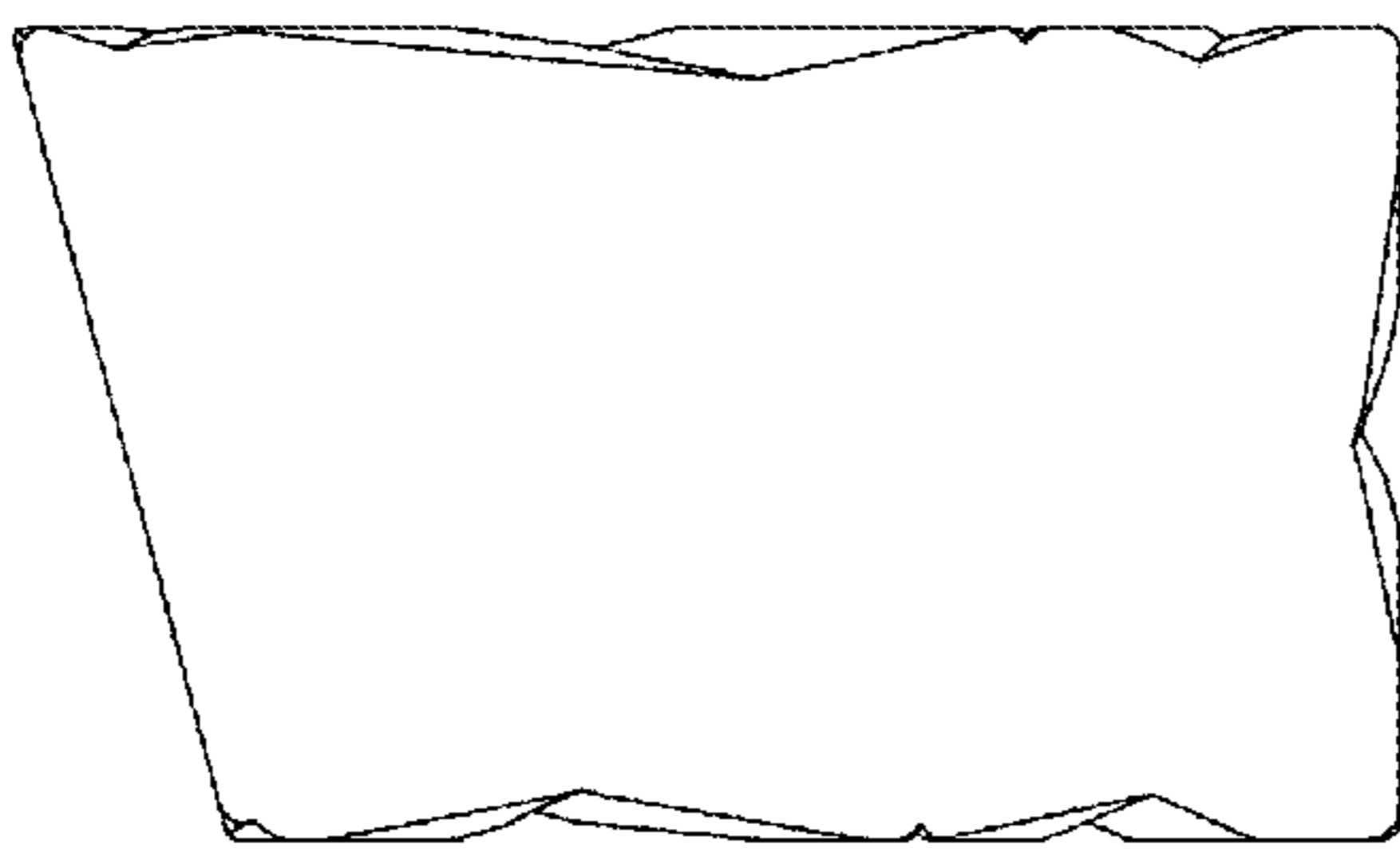


FIG. 5

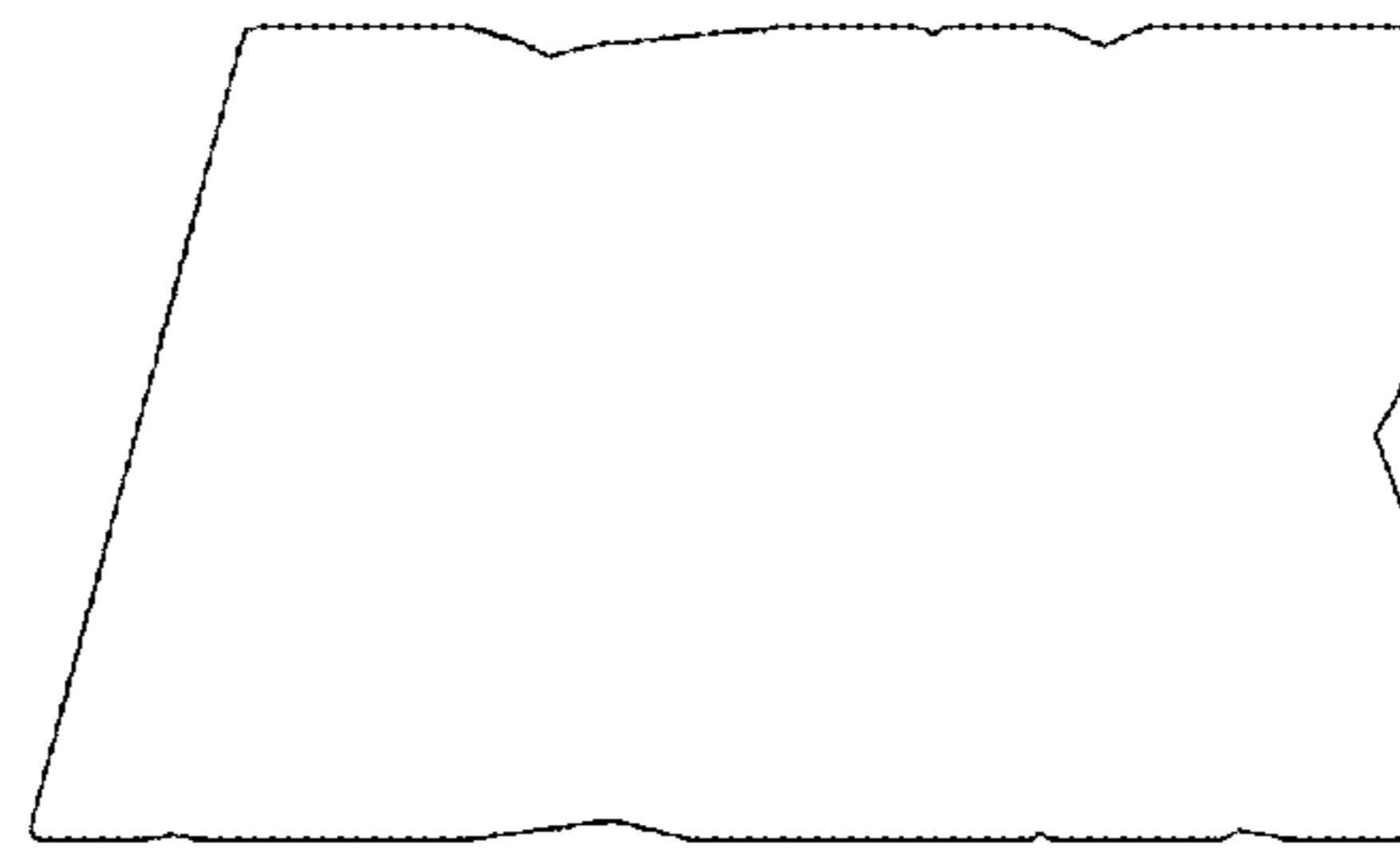


FIG. 6

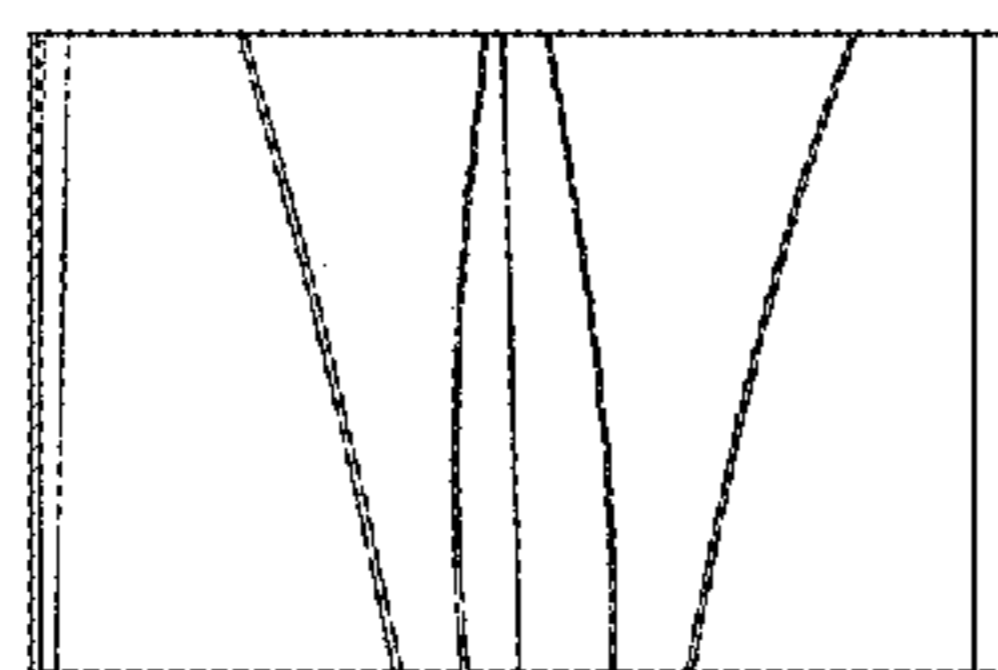


FIG. 7

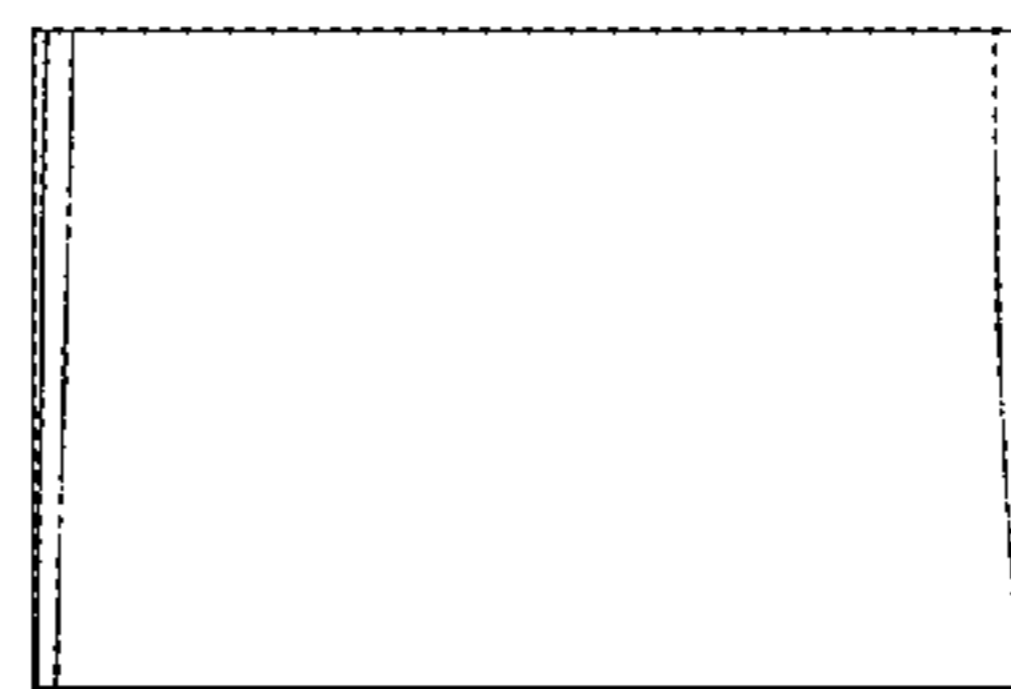


FIG. 8

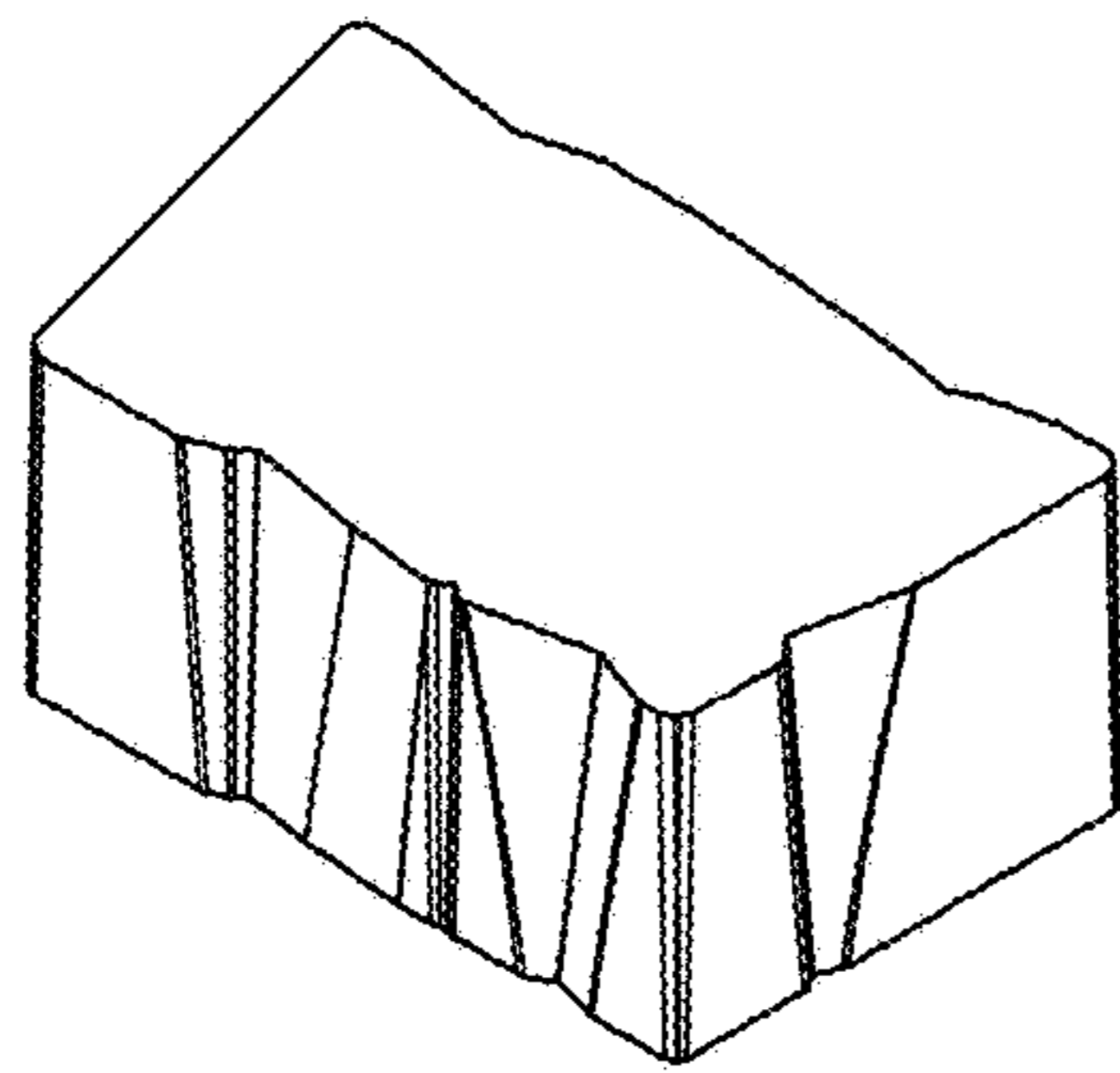


FIG. 9

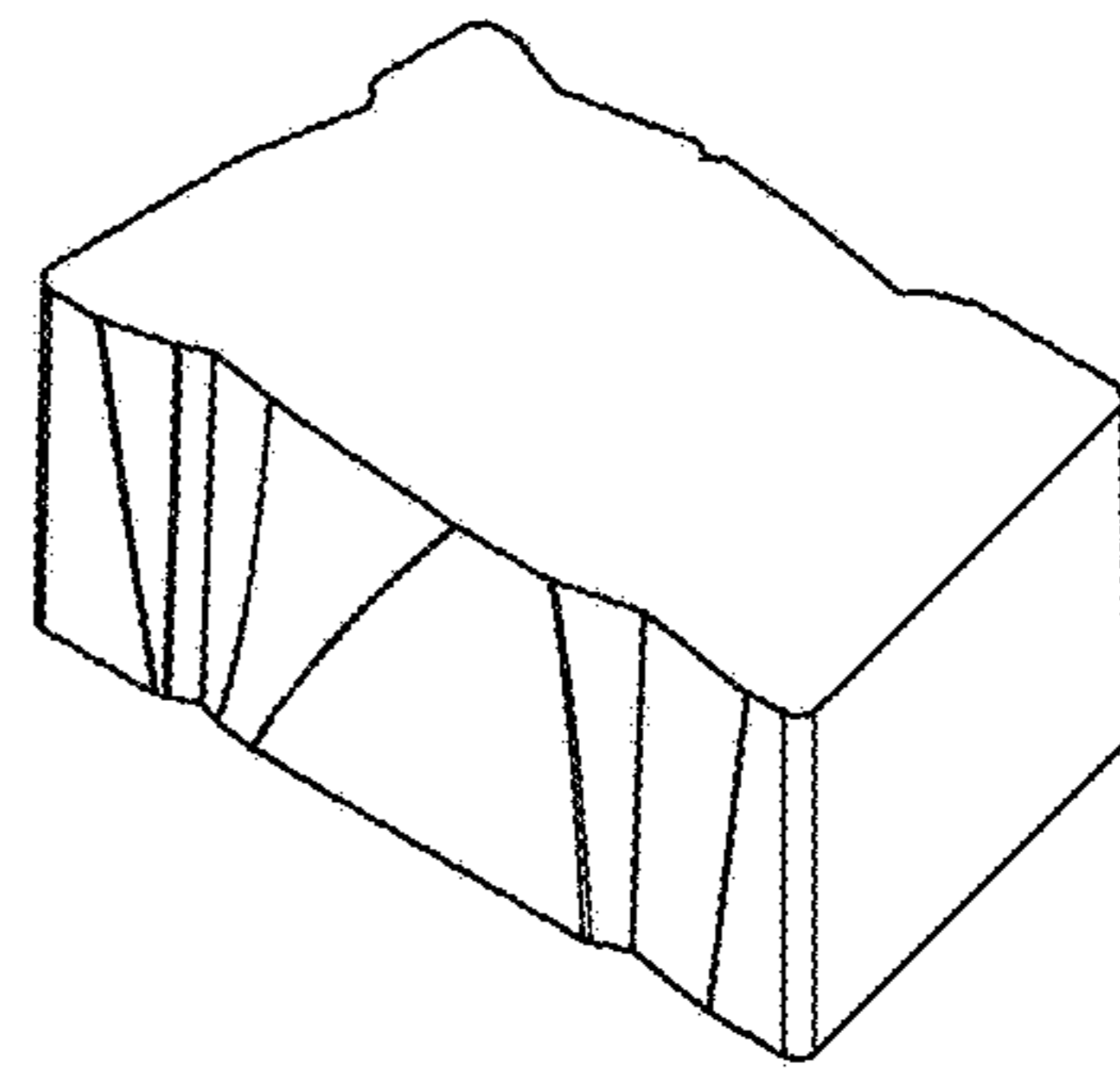


FIG. 10

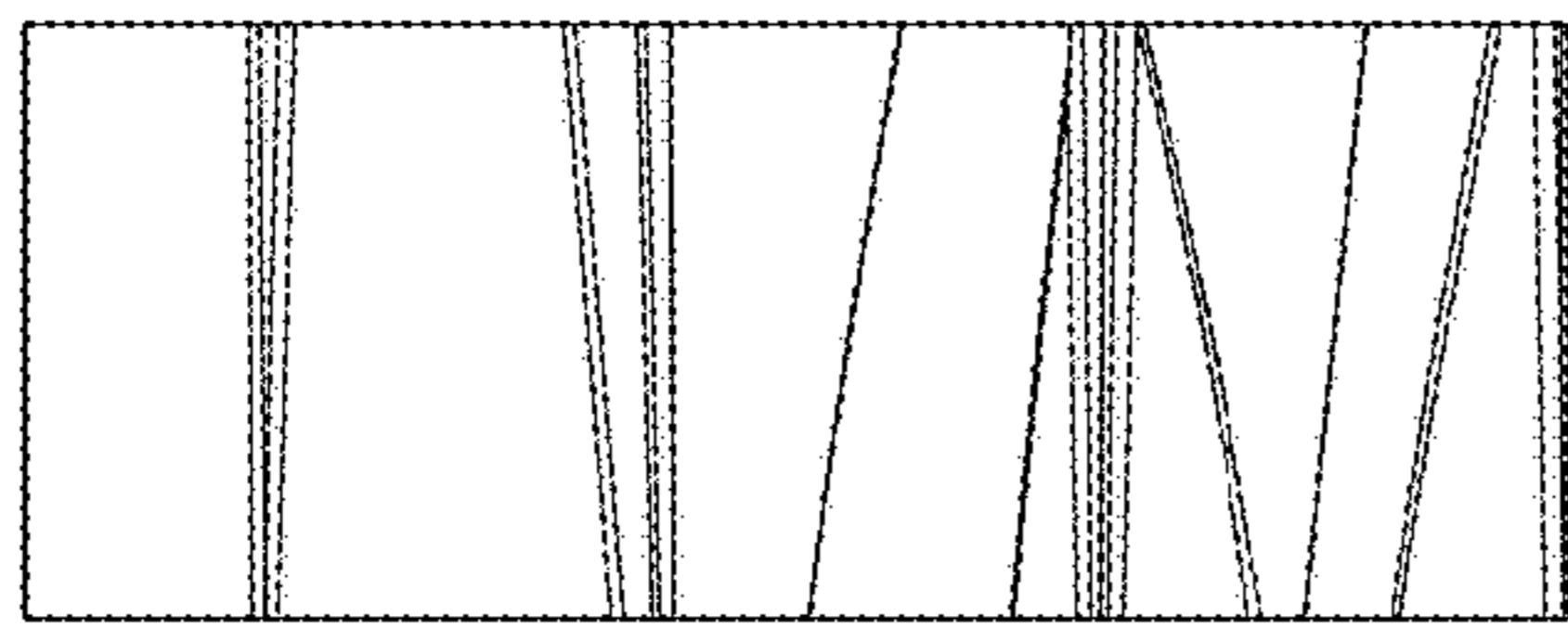


FIG. 11

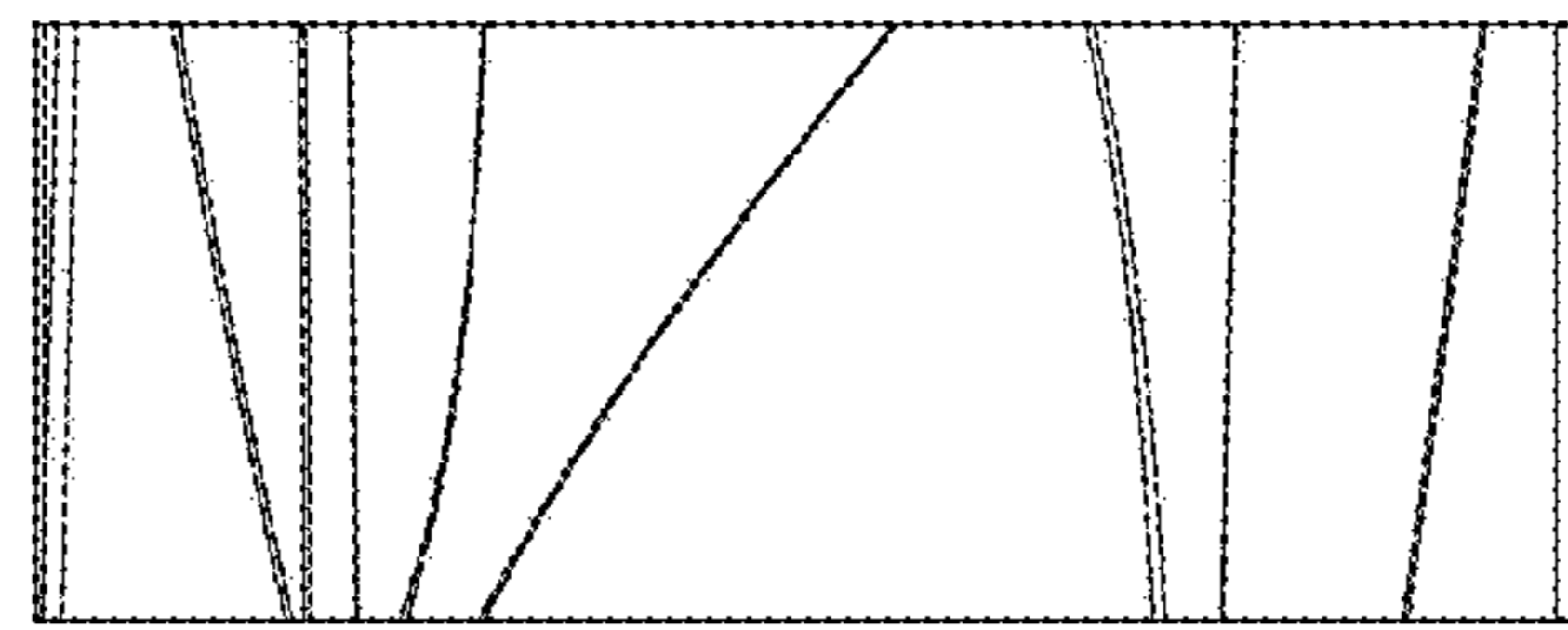


FIG. 12

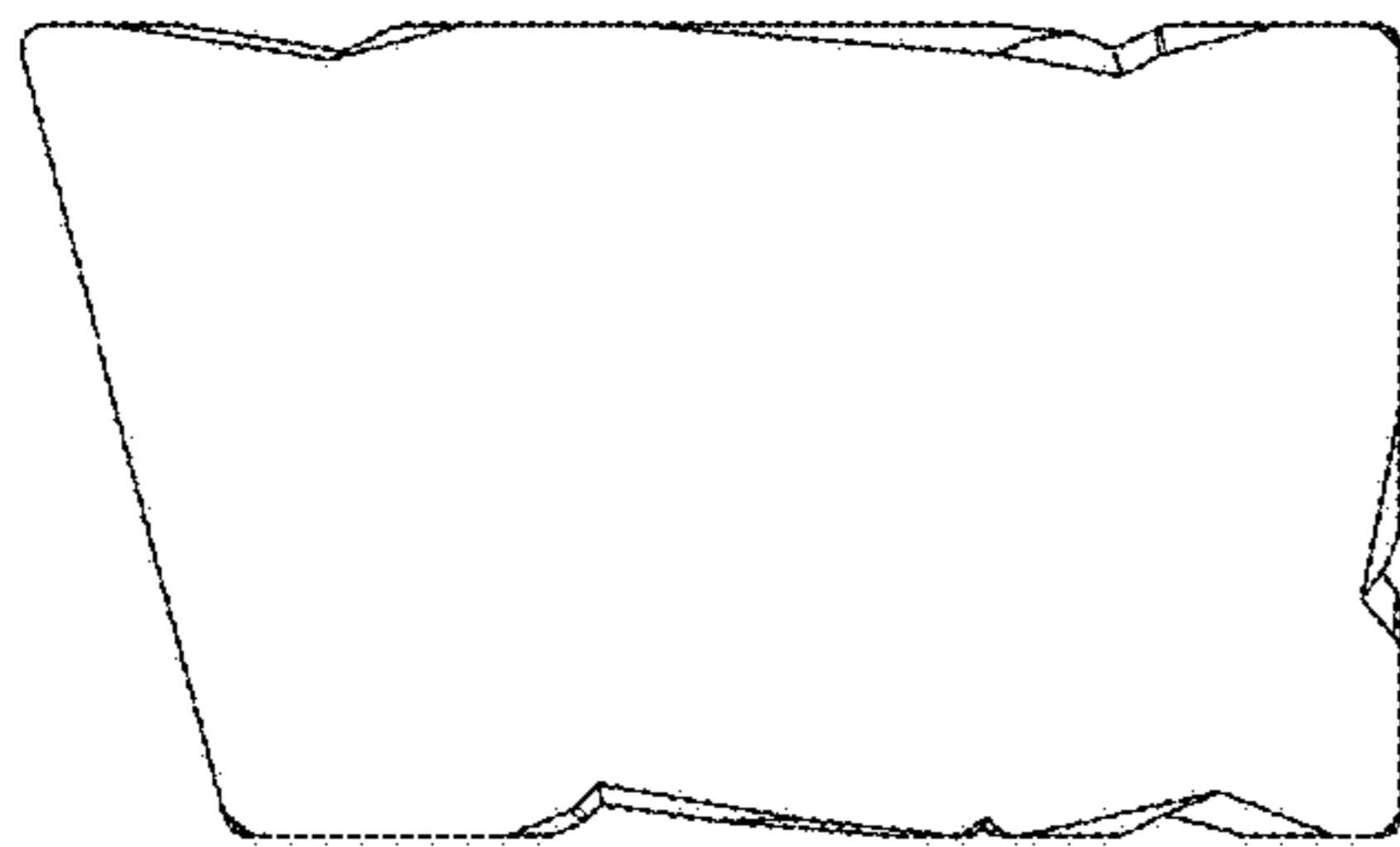


FIG. 13

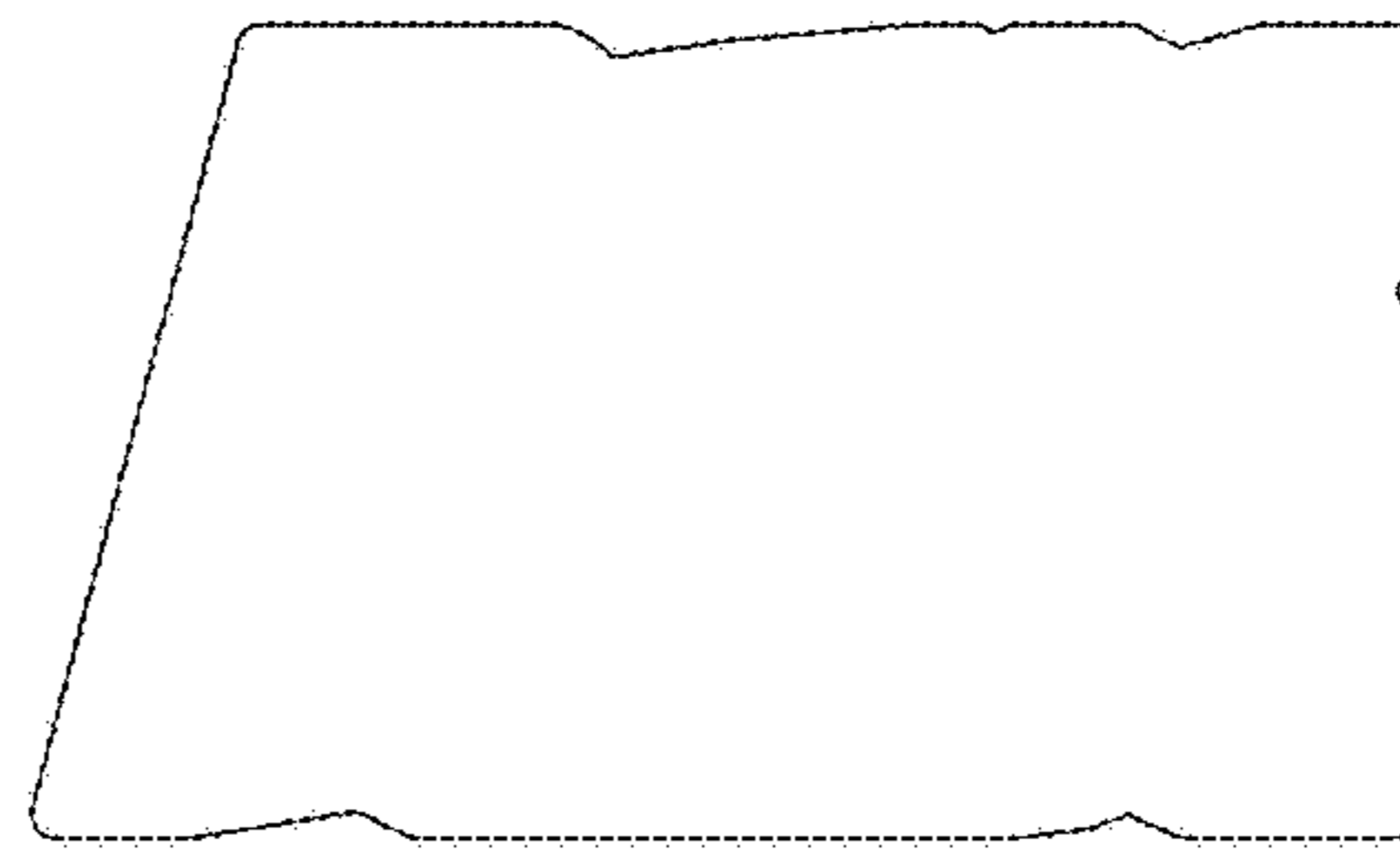


FIG. 14

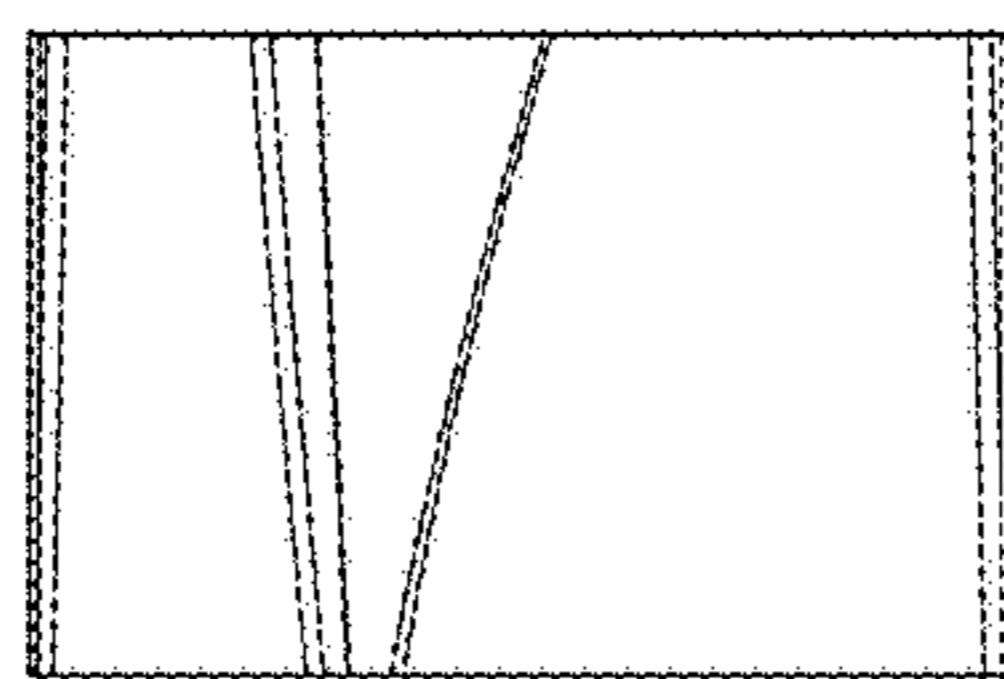


FIG. 15

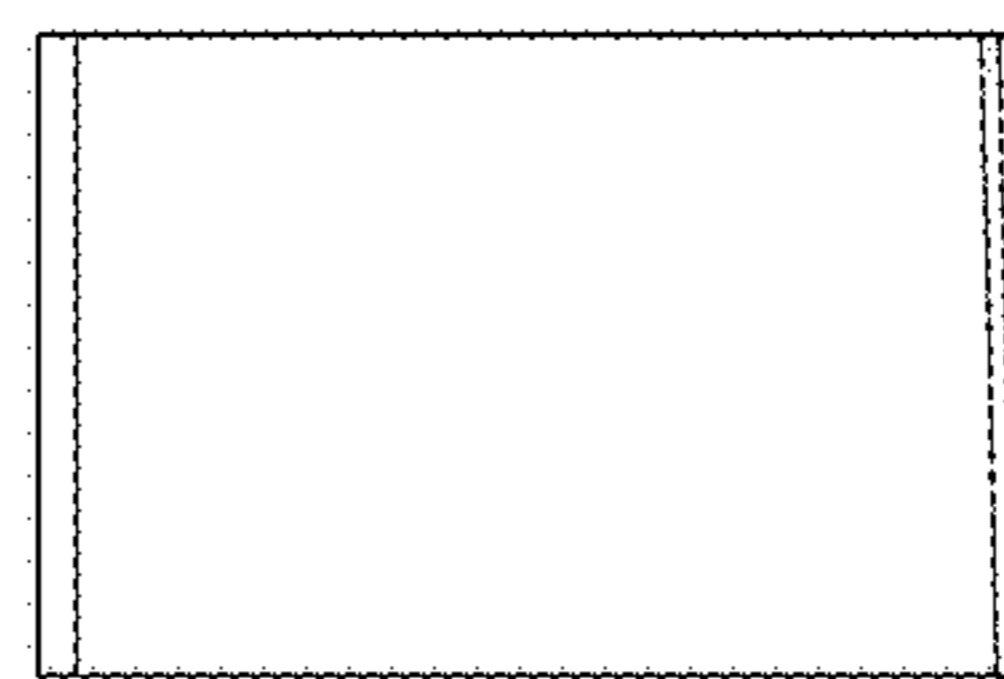


FIG. 16

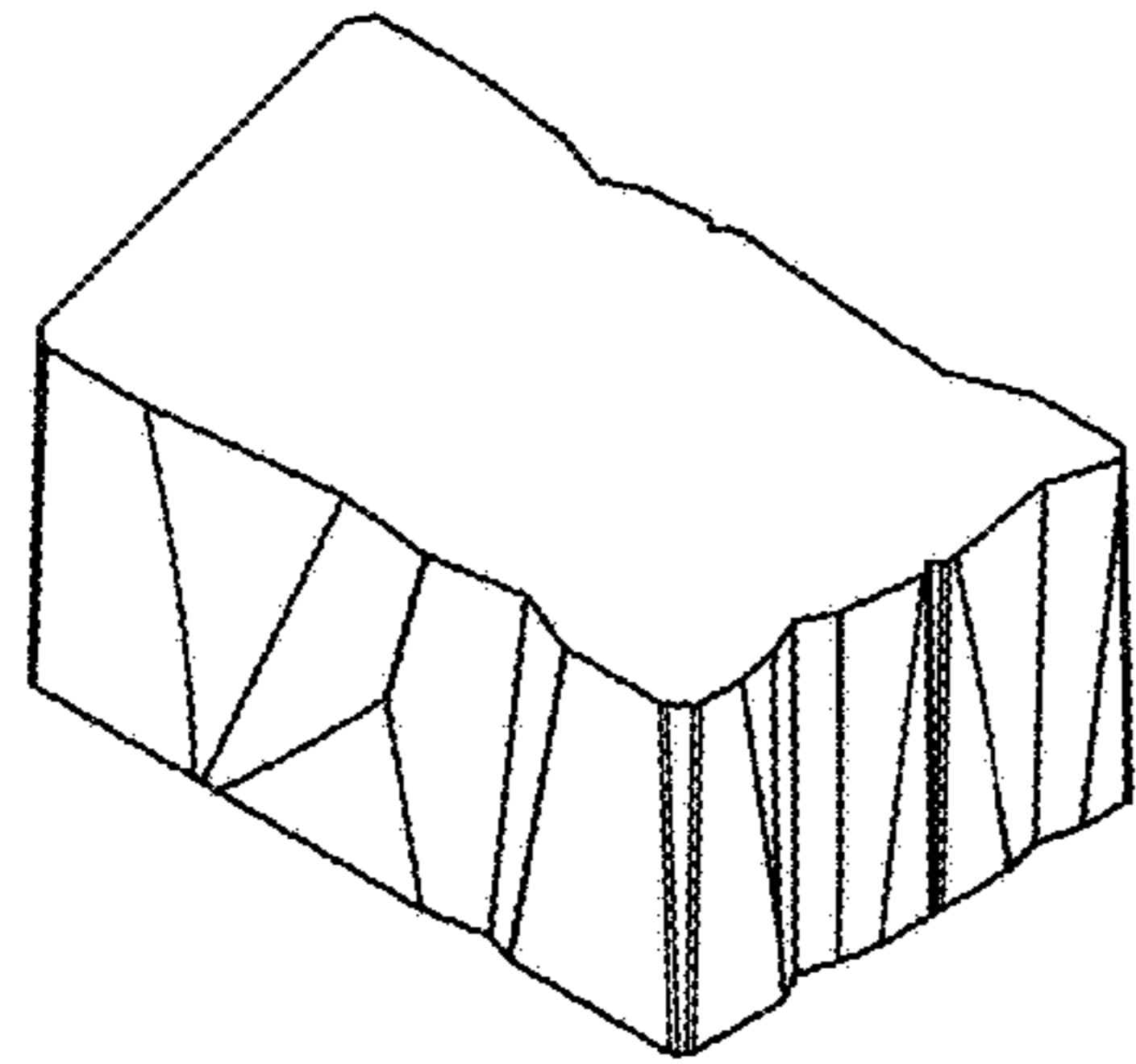


FIG. 17

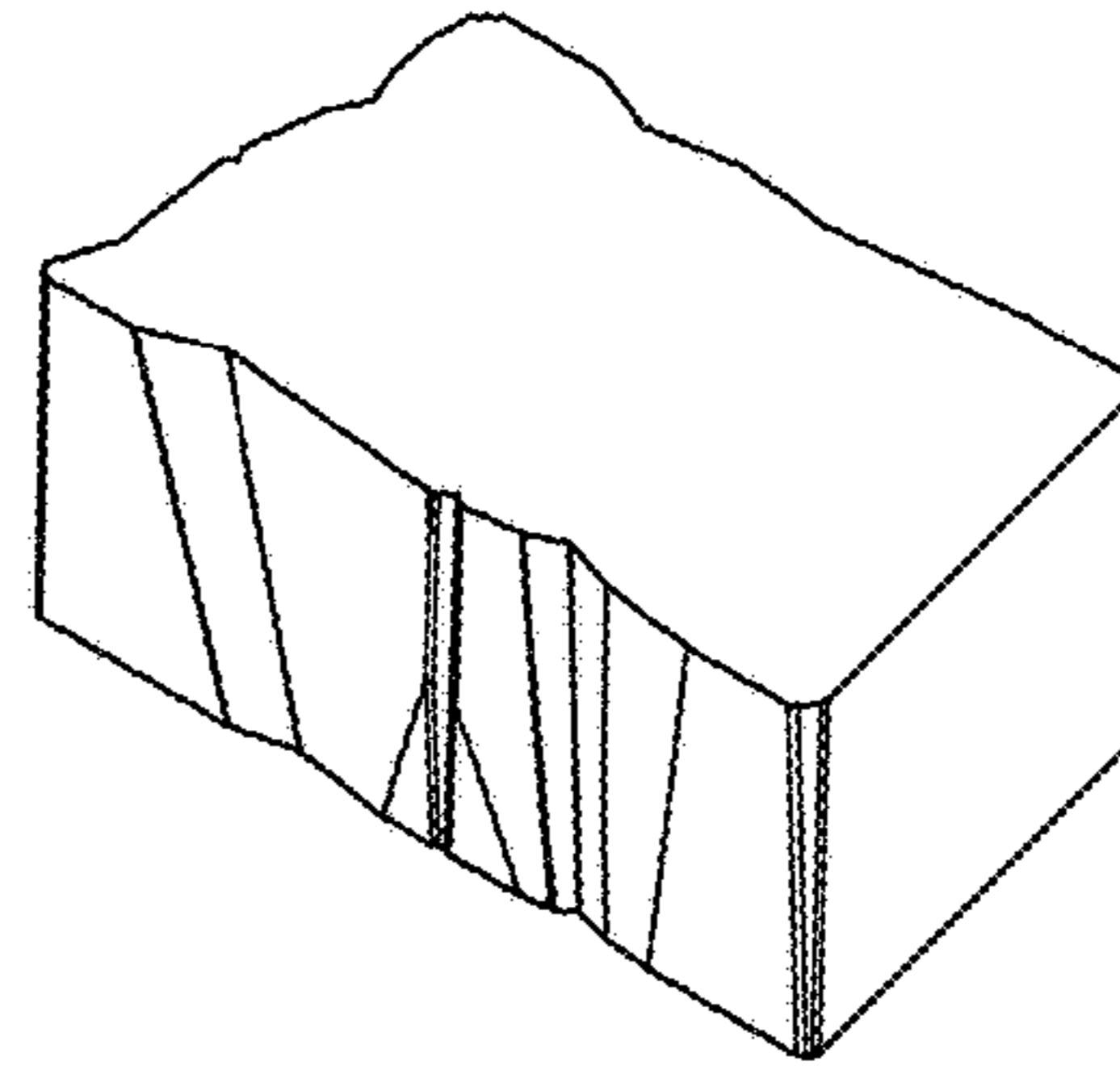


FIG. 18

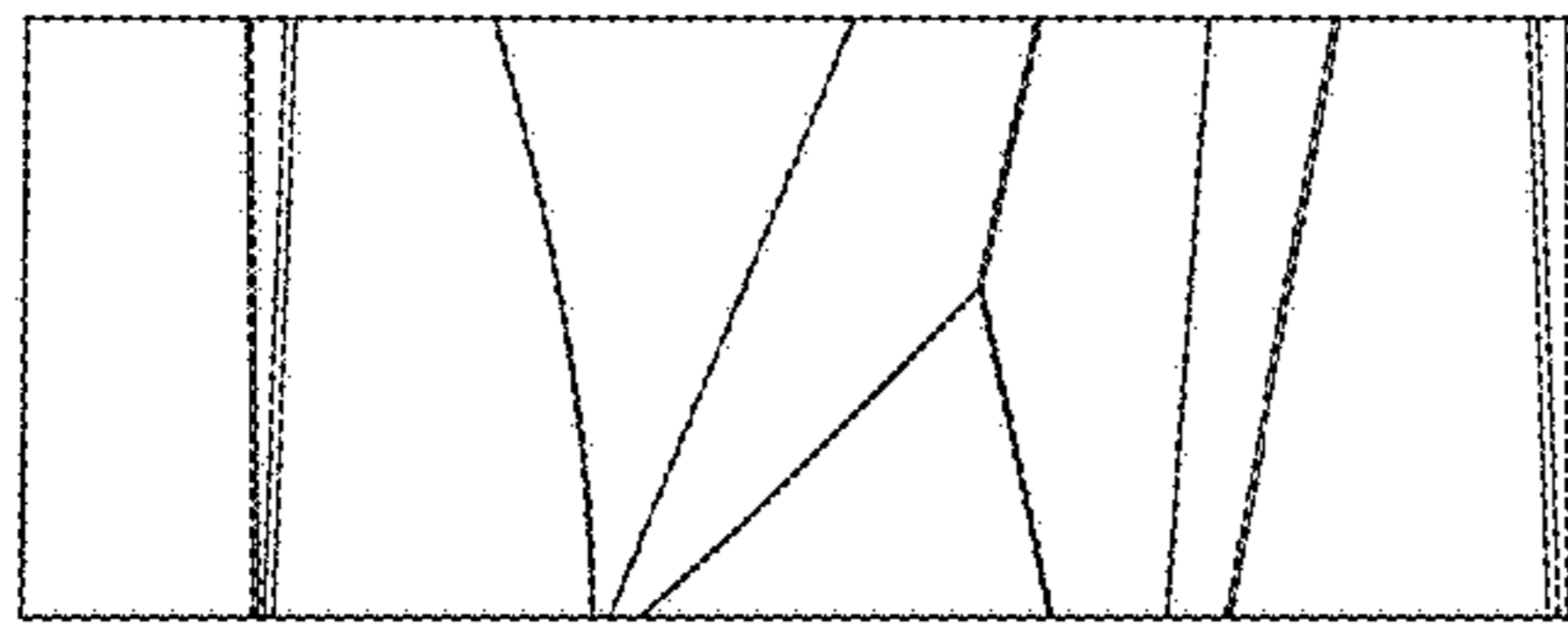


FIG. 19

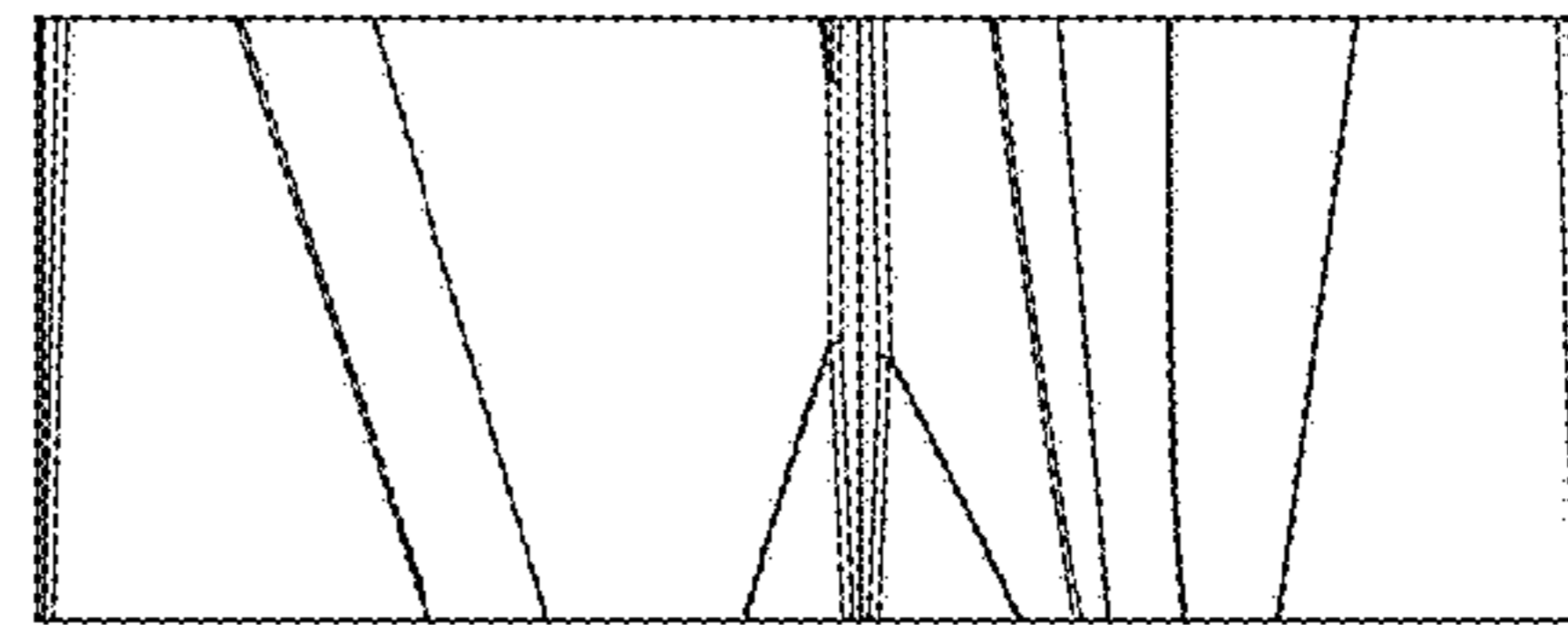


FIG. 20

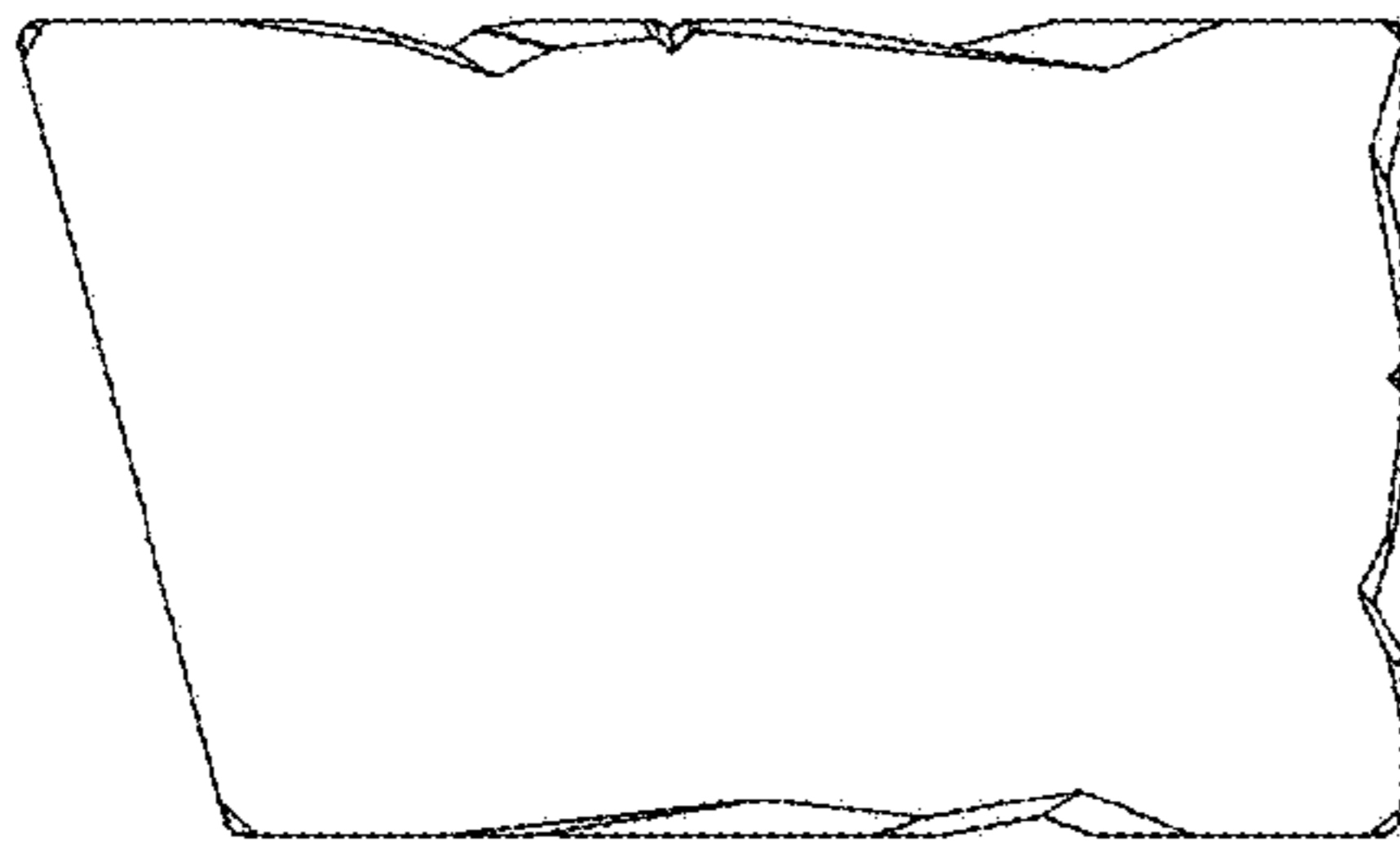


FIG. 21

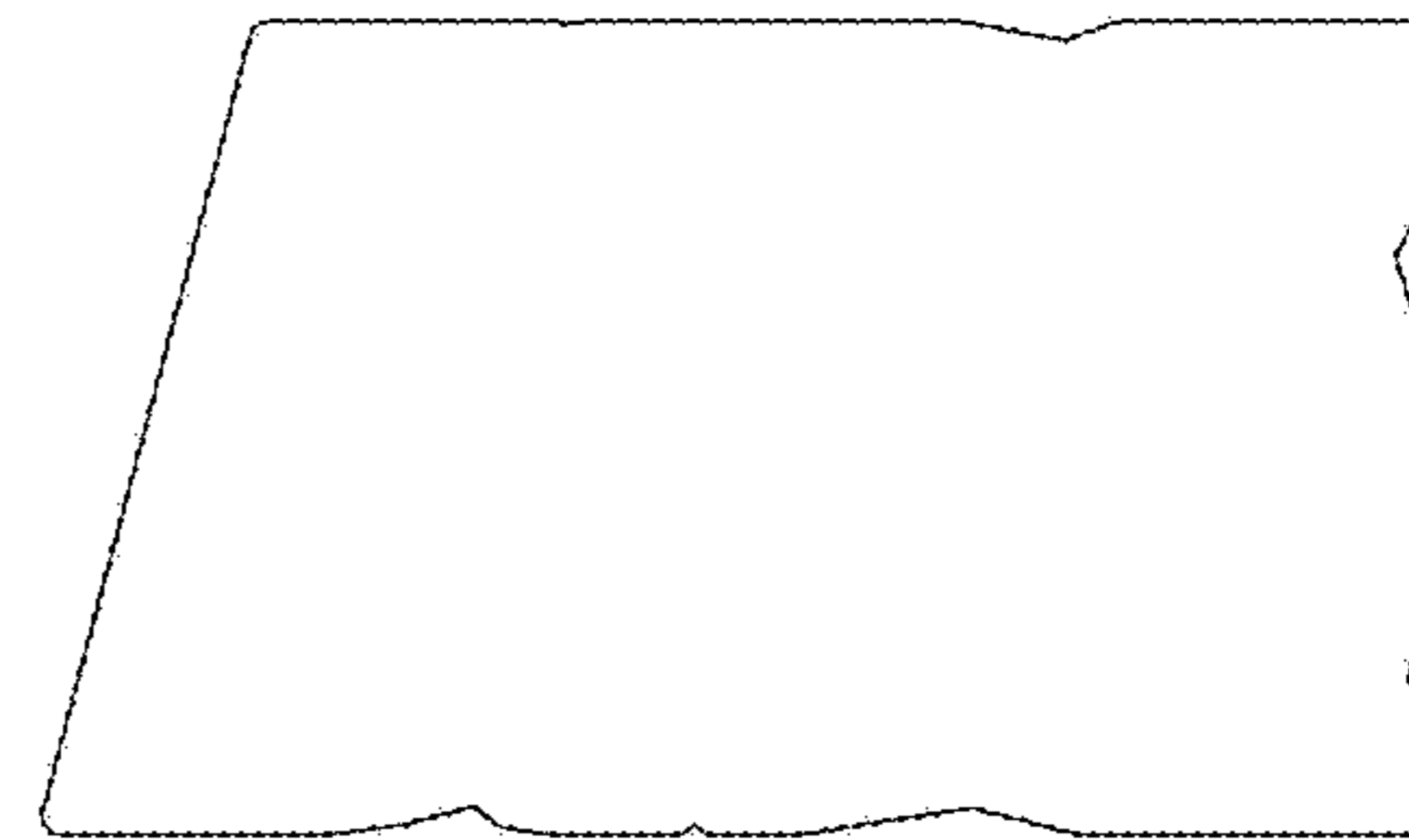


FIG. 22

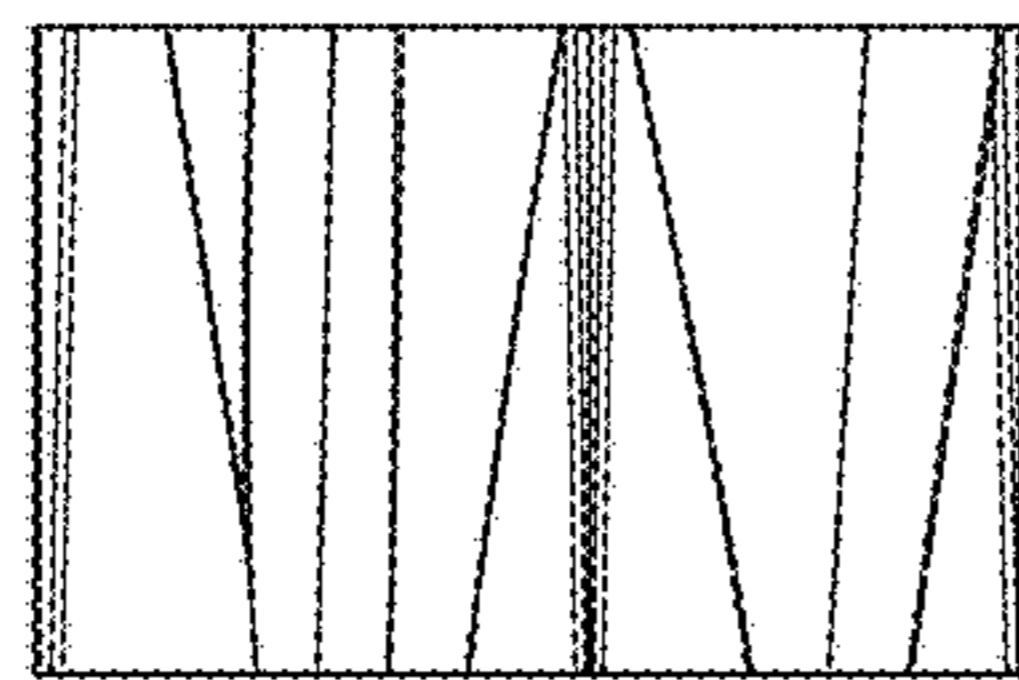


FIG. 23

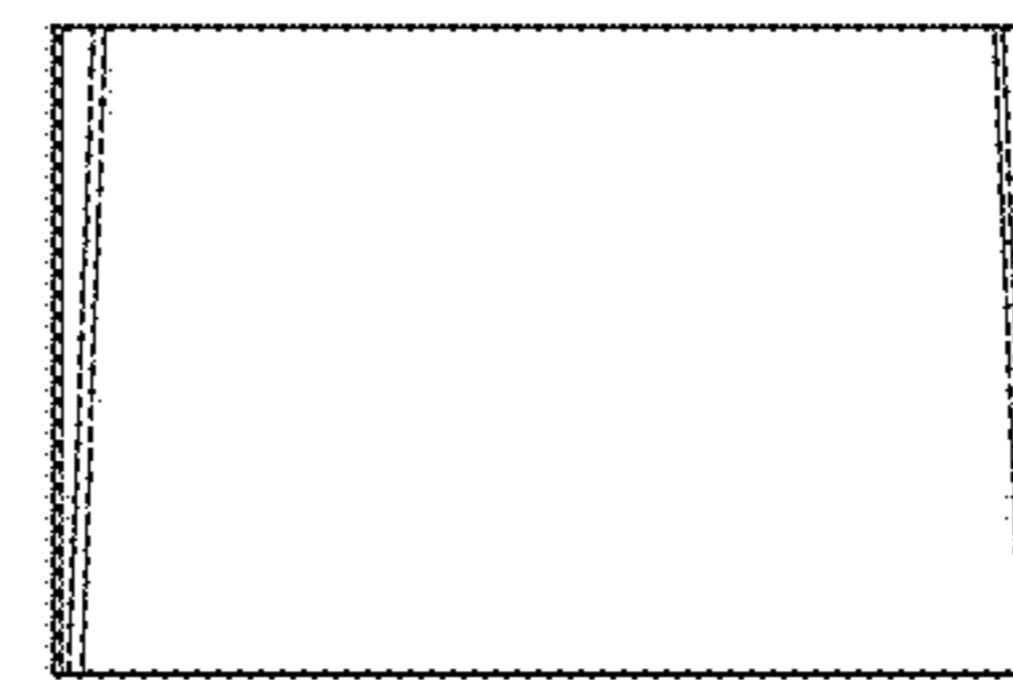


FIG. 24

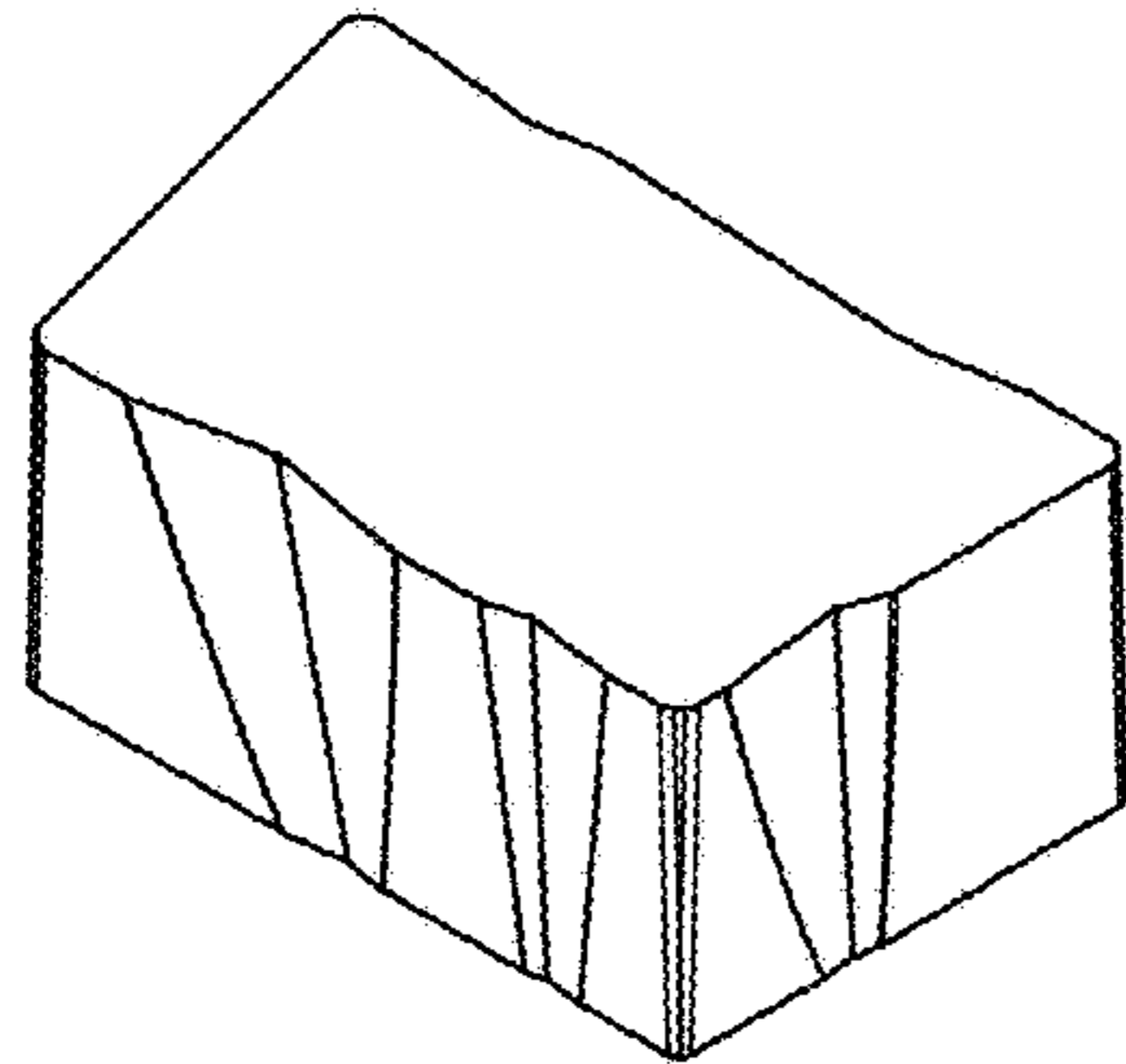


FIG. 25

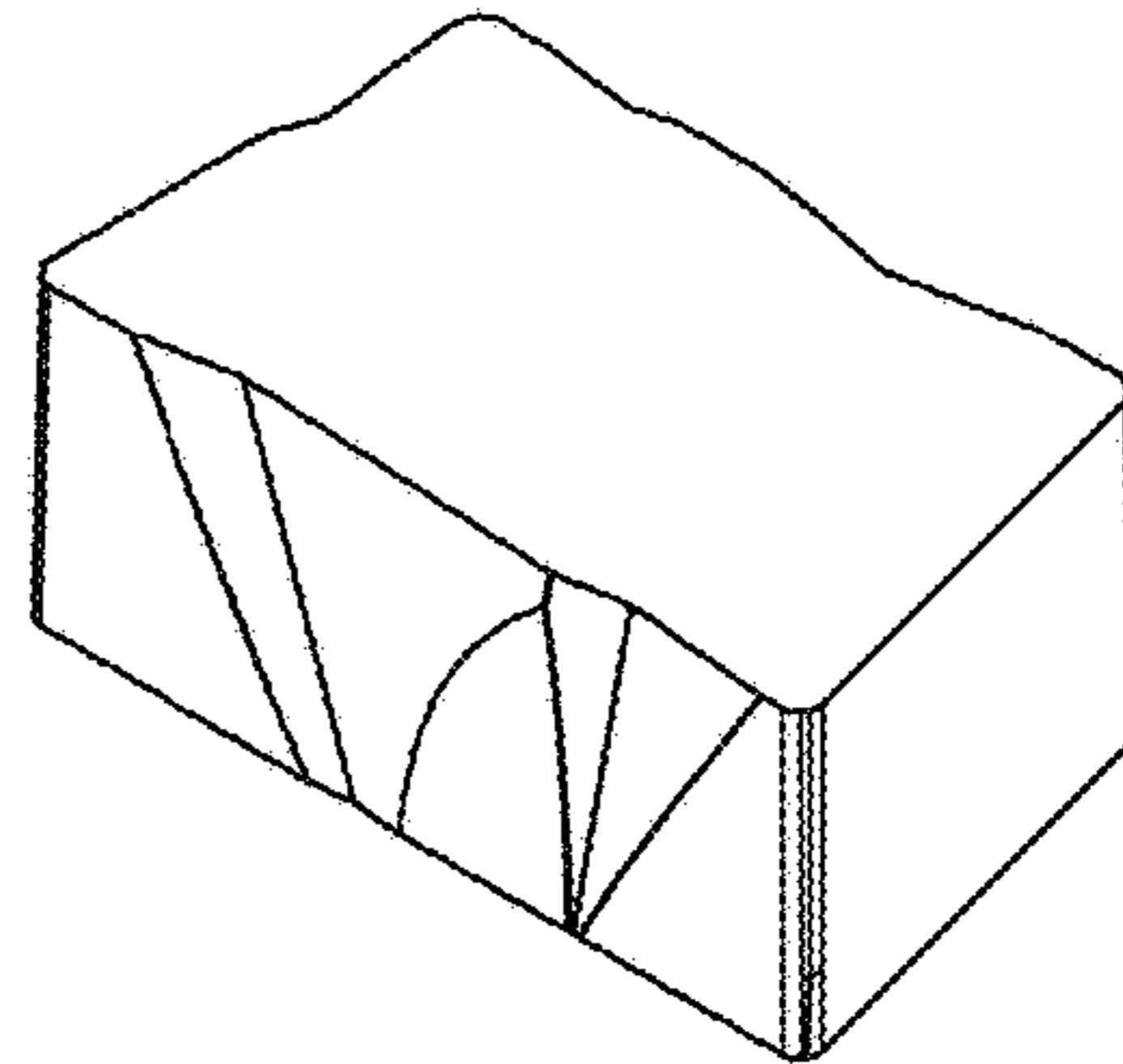


FIG. 26

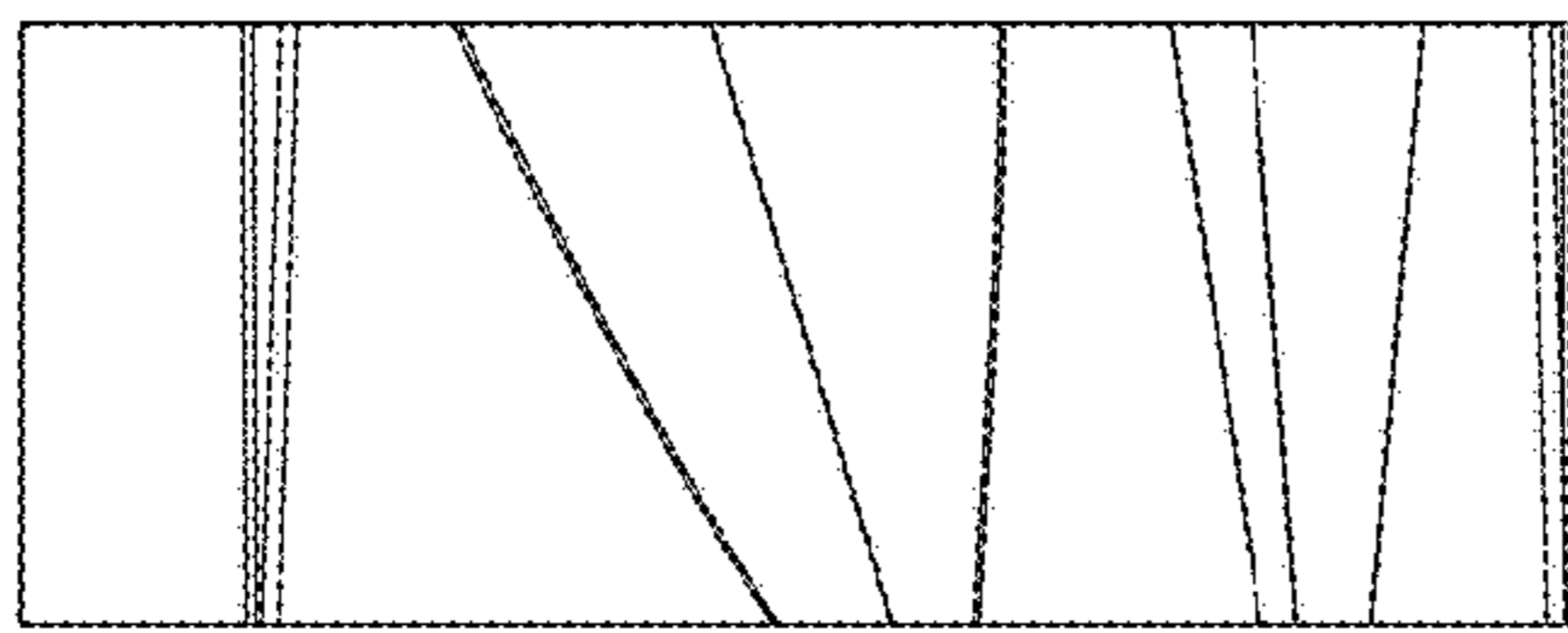


FIG. 27

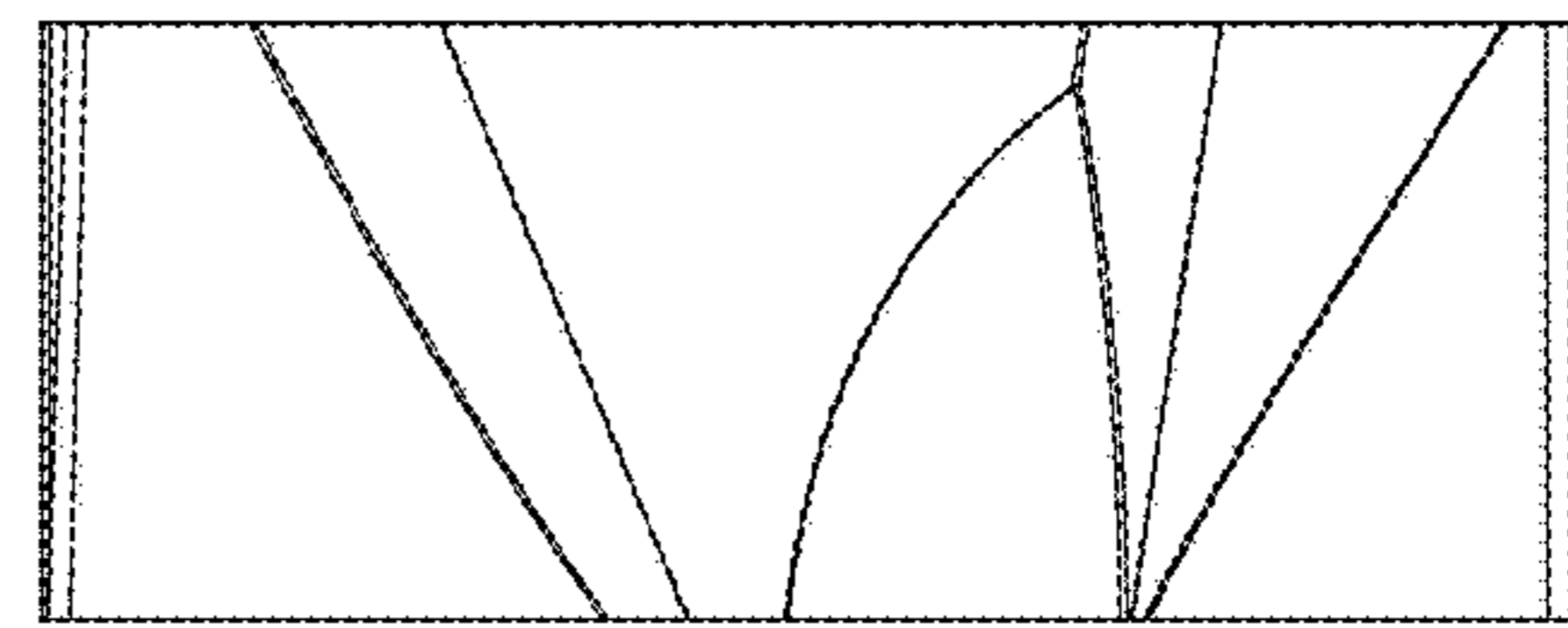


FIG. 28

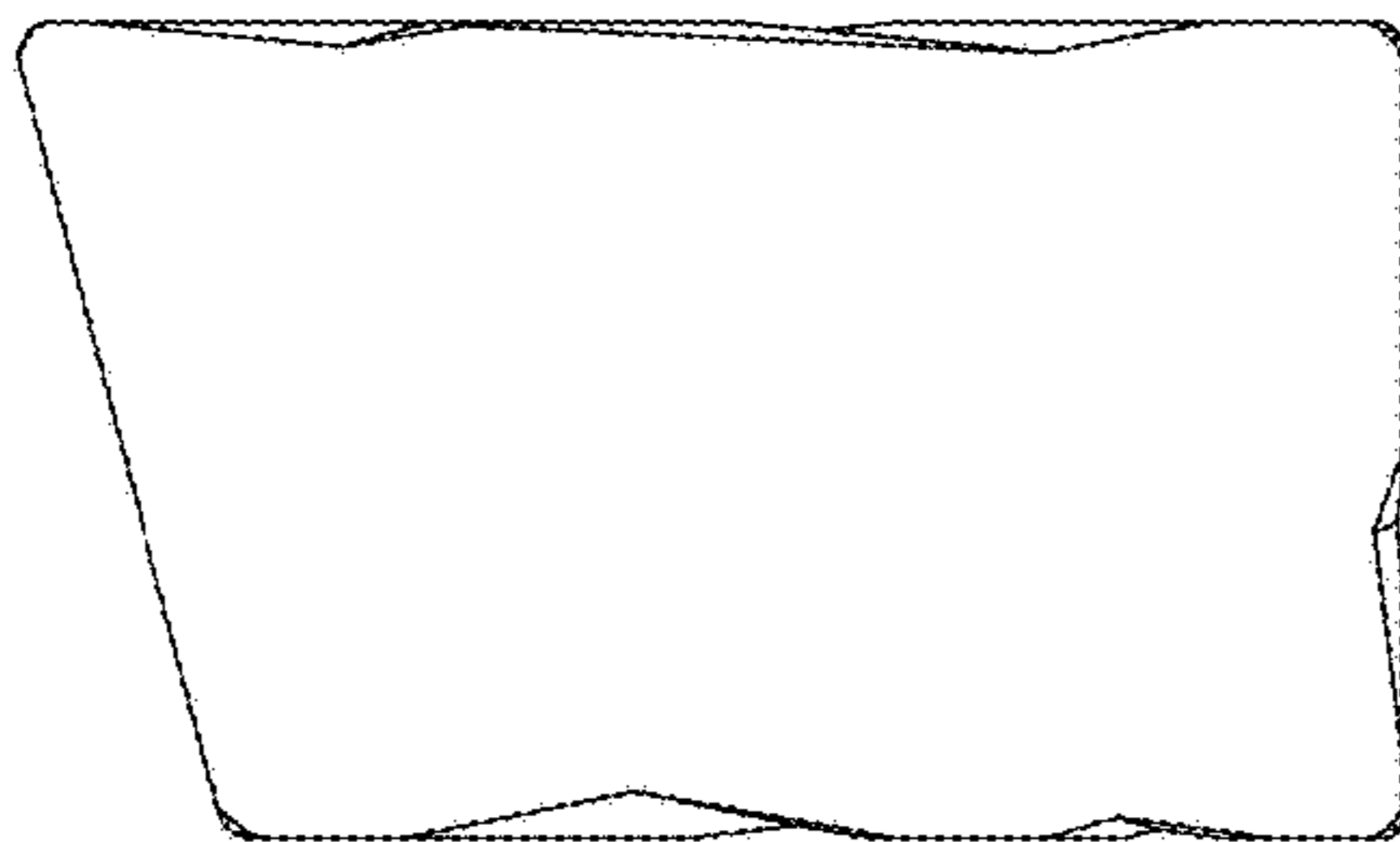


FIG. 29

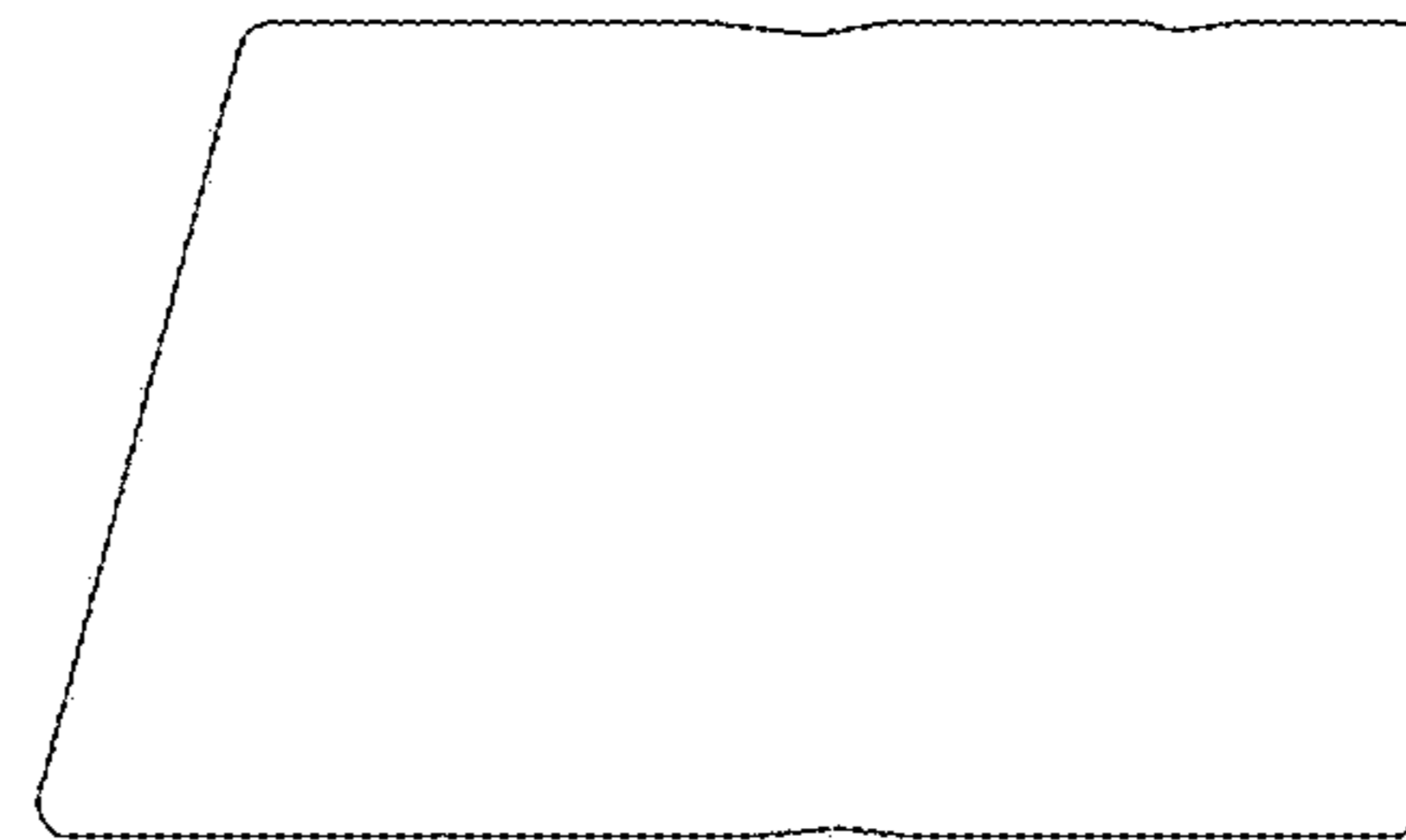


FIG. 30

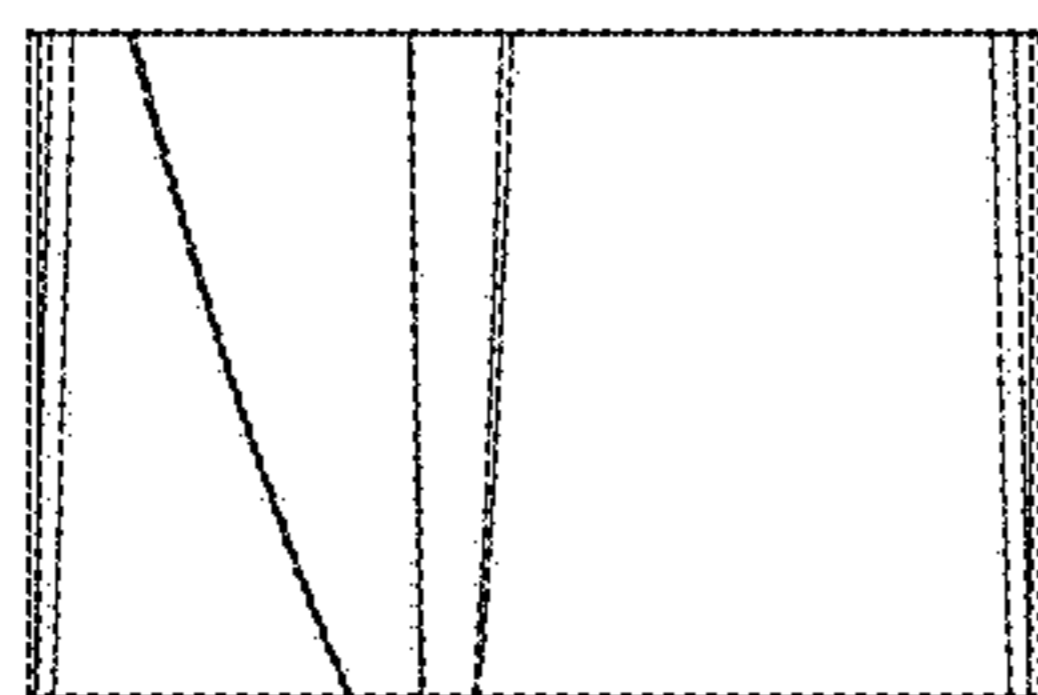


FIG. 31

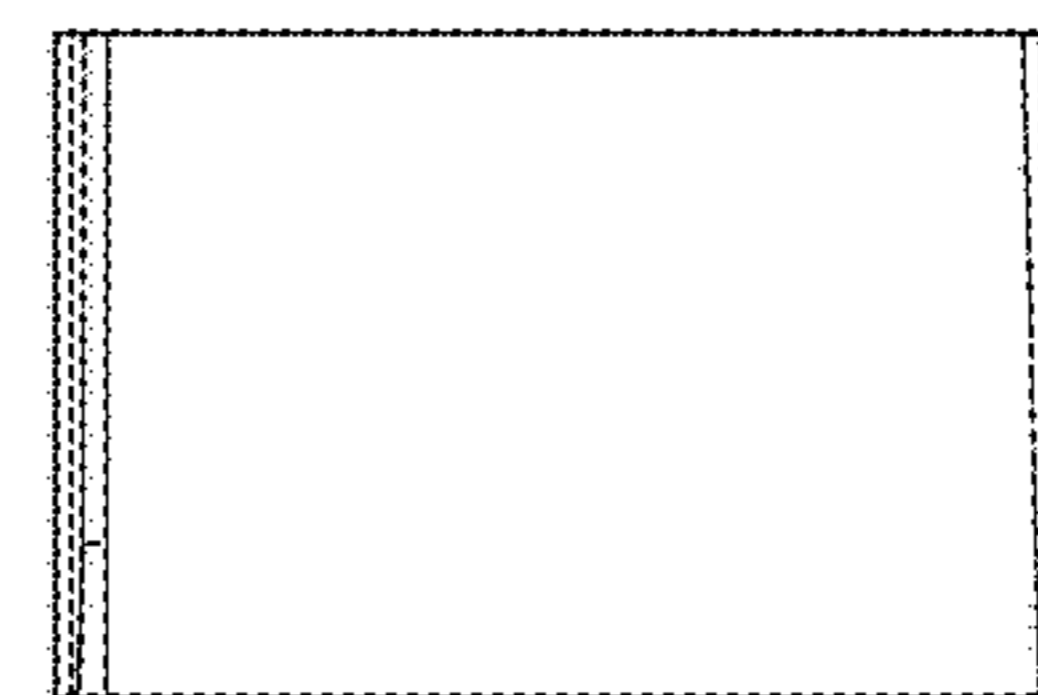


FIG. 32

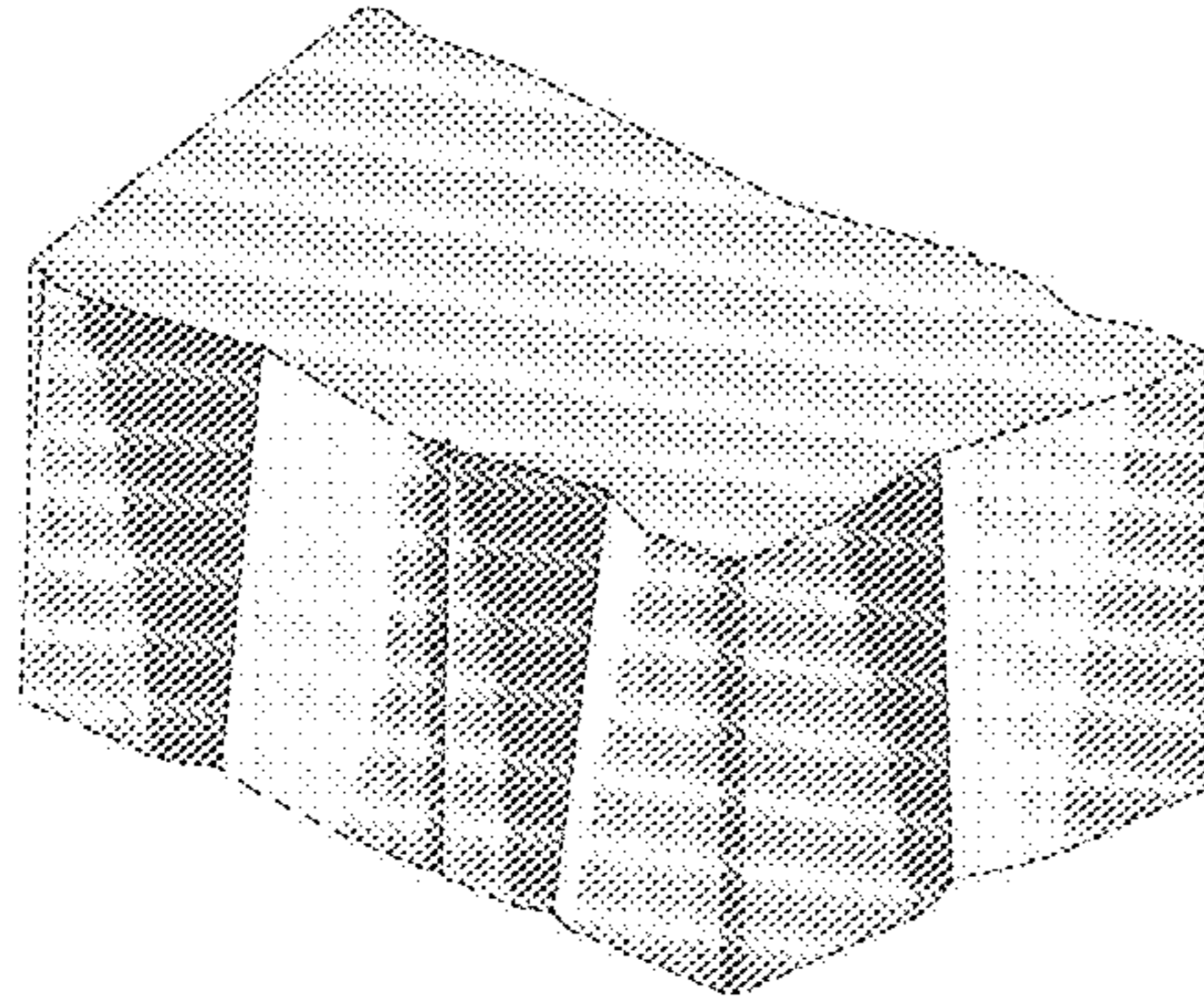


FIG. 33

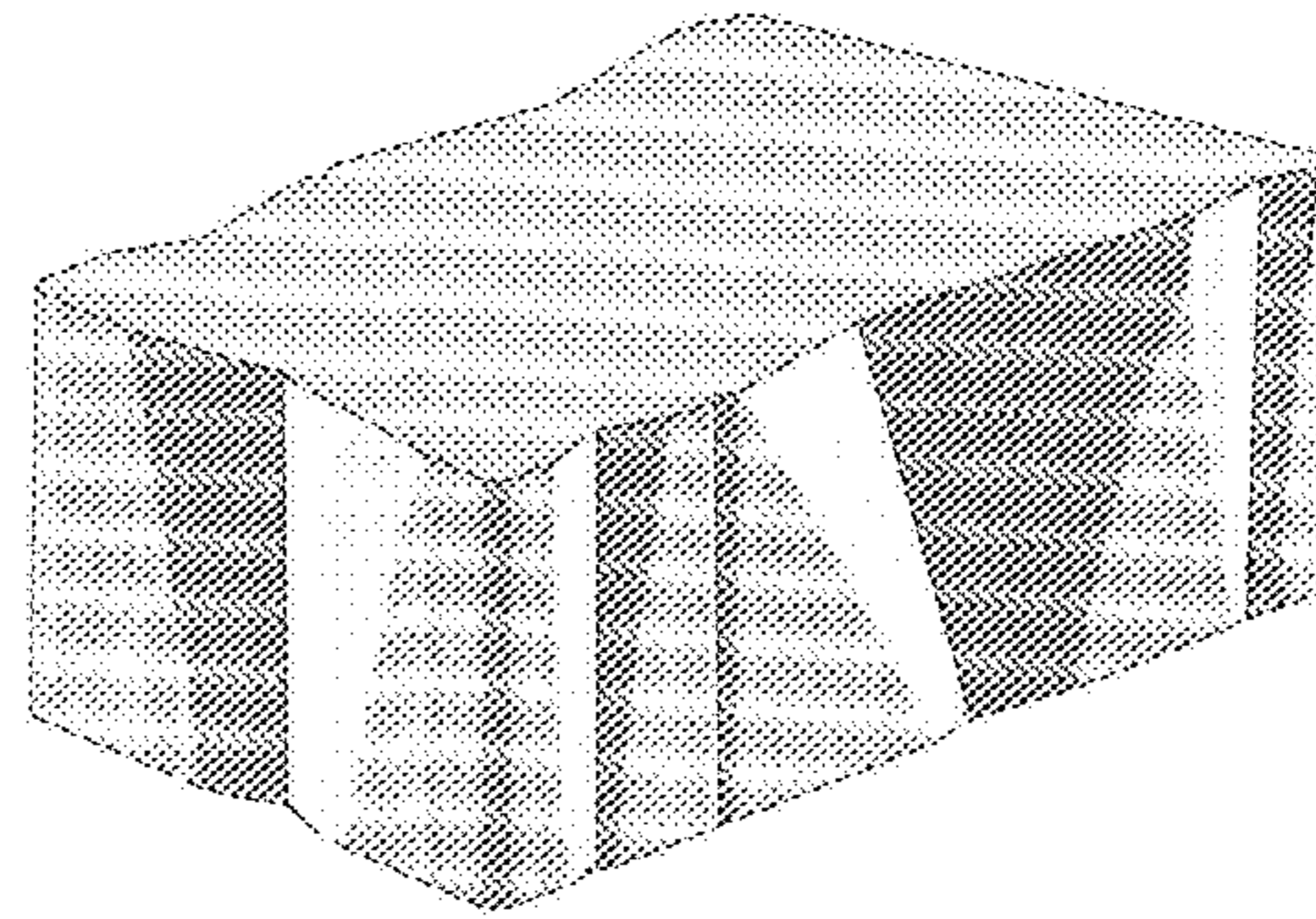


FIG. 34

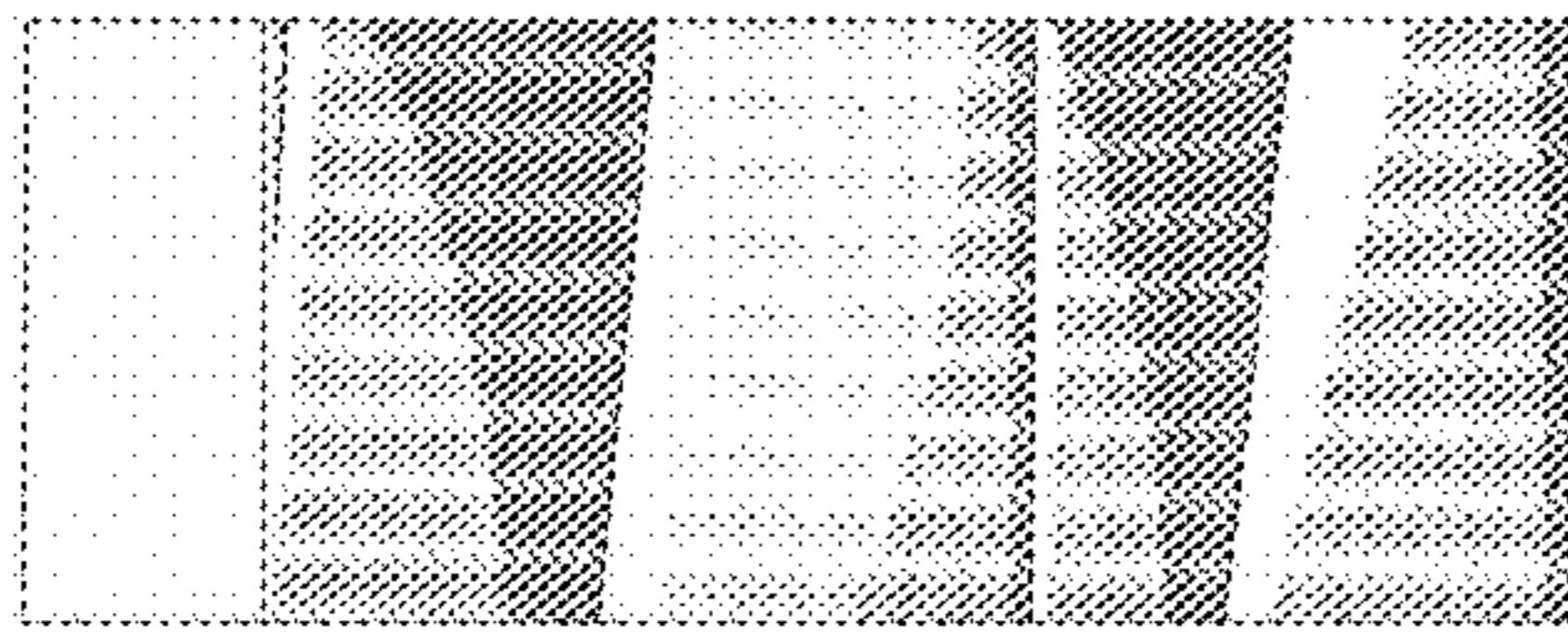


FIG. 35

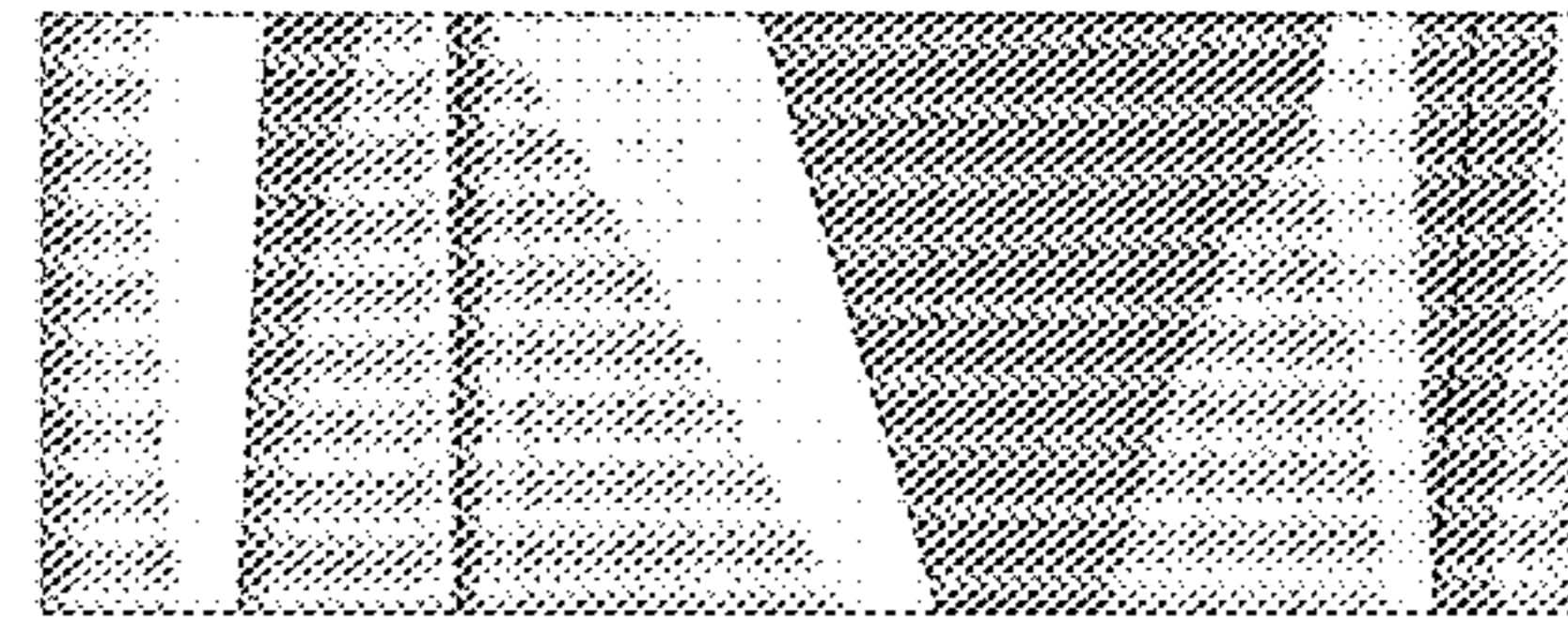


FIG. 36

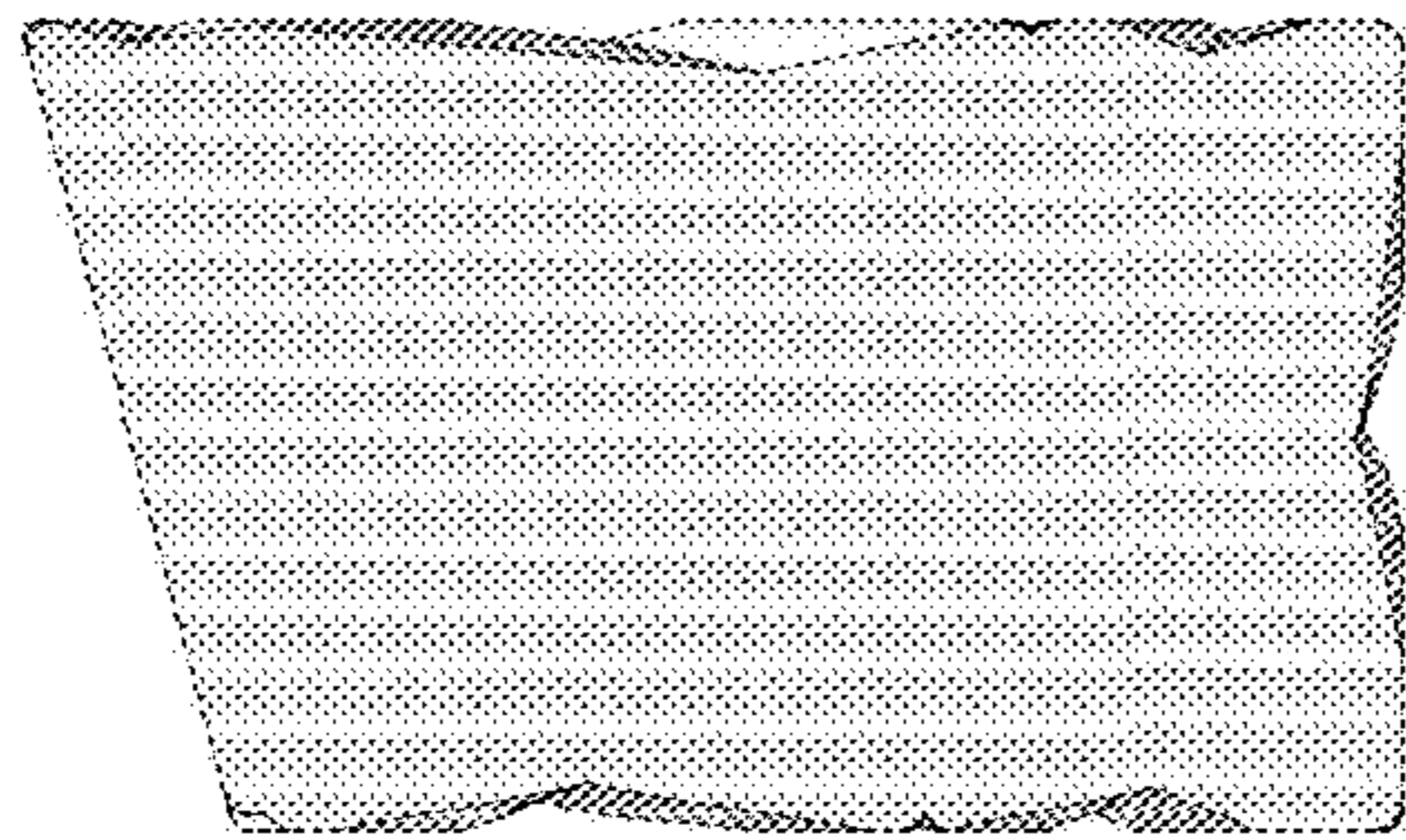


FIG. 37

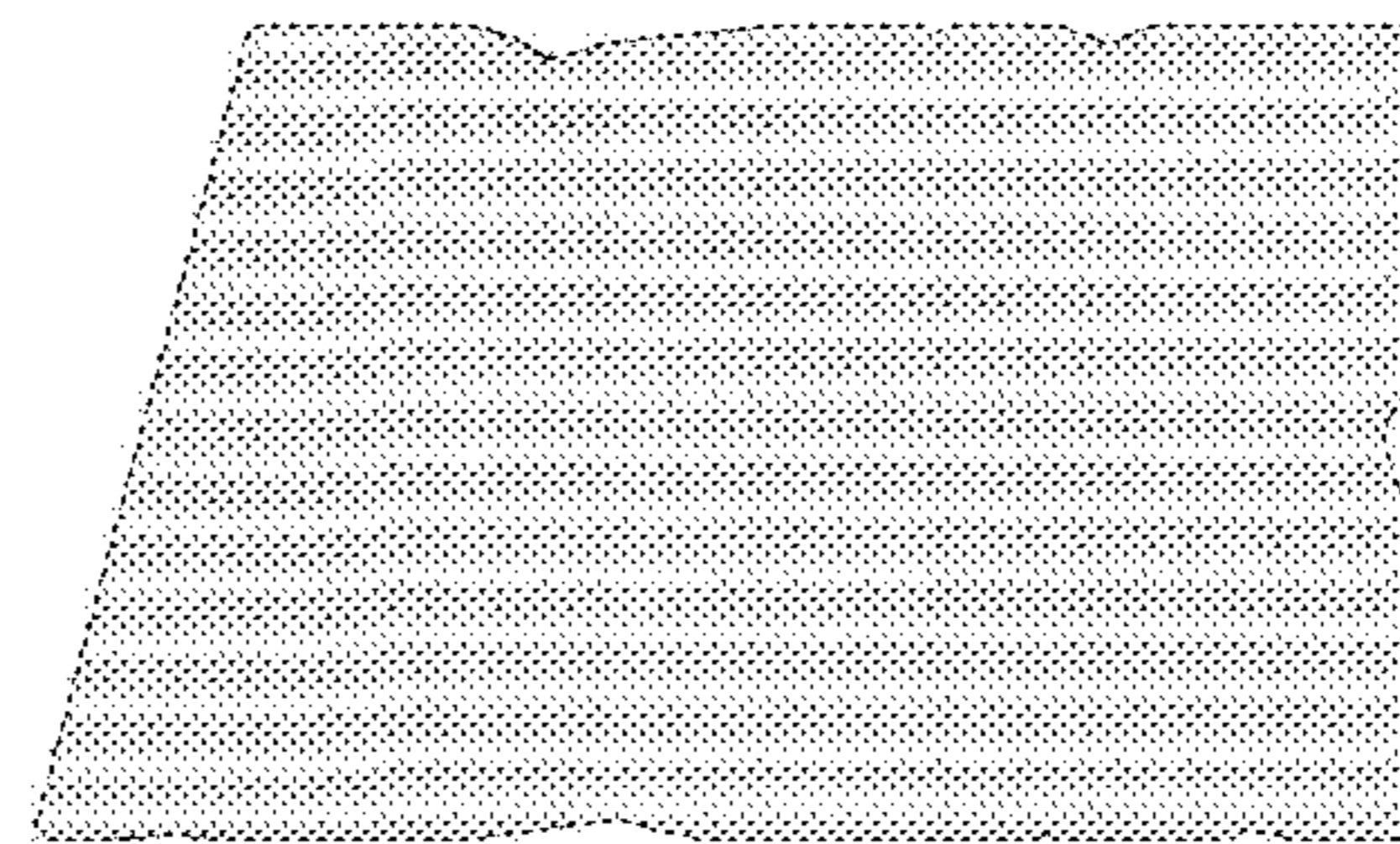


FIG. 38

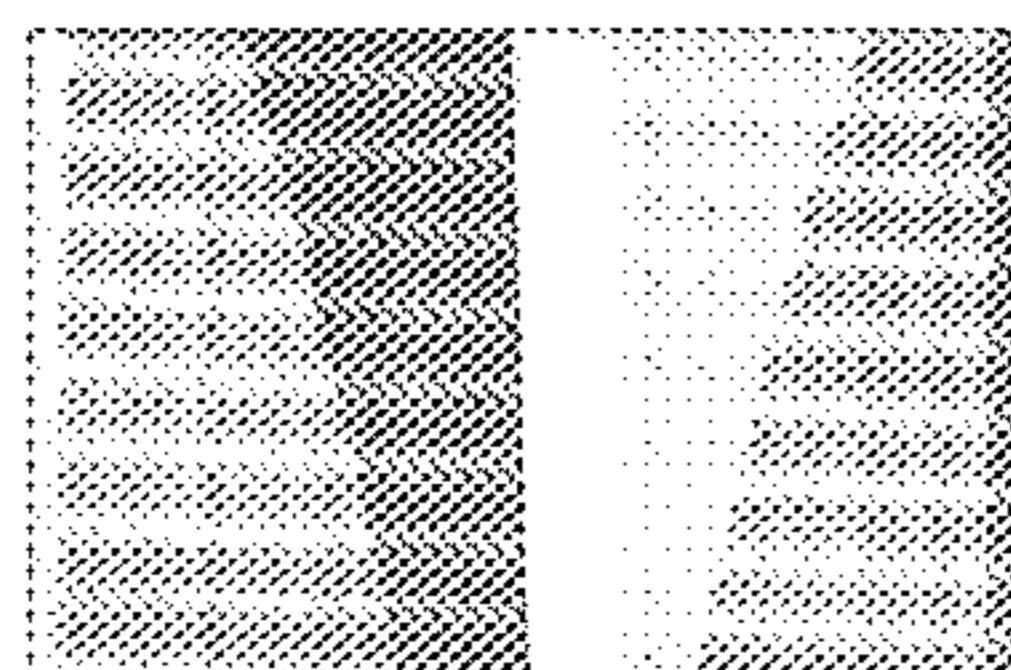


FIG. 39

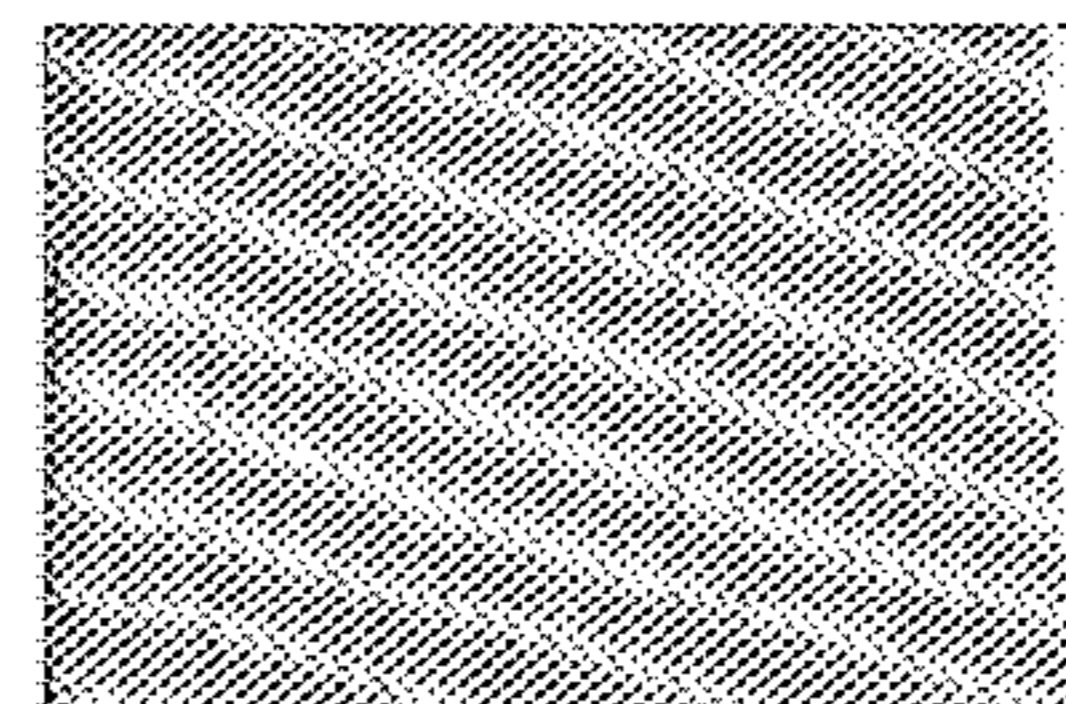


FIG. 40

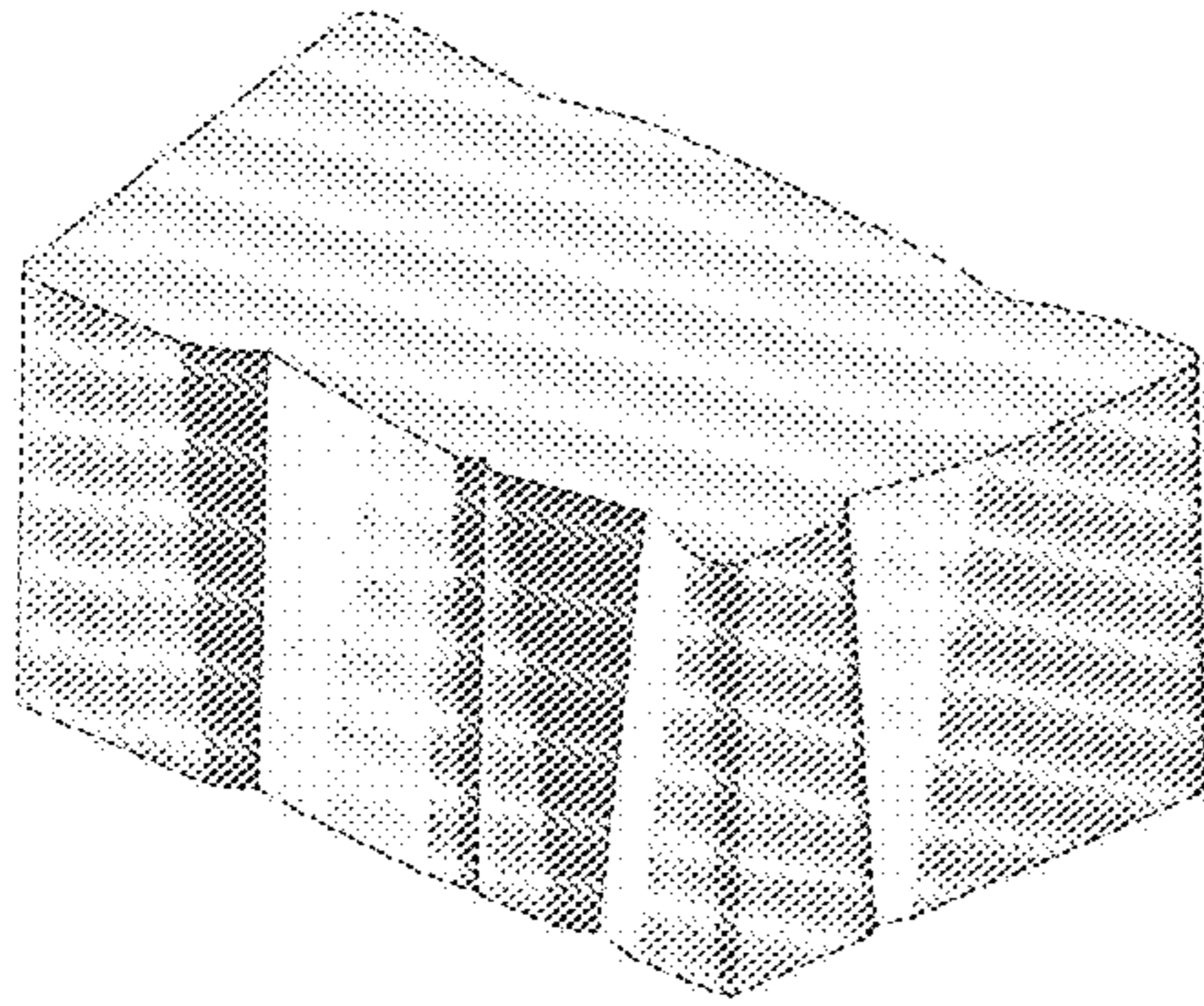


FIG. 41

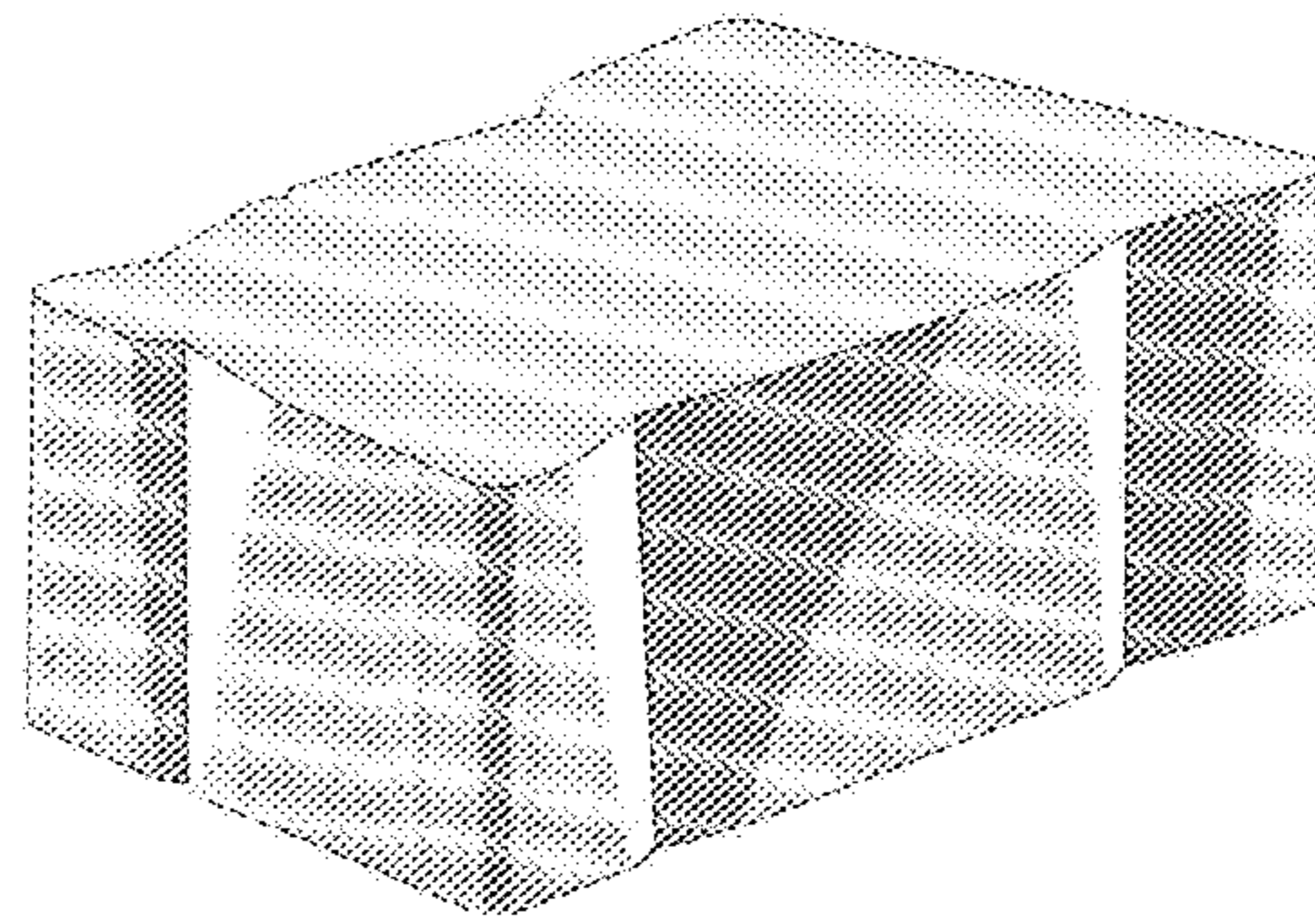


FIG. 42

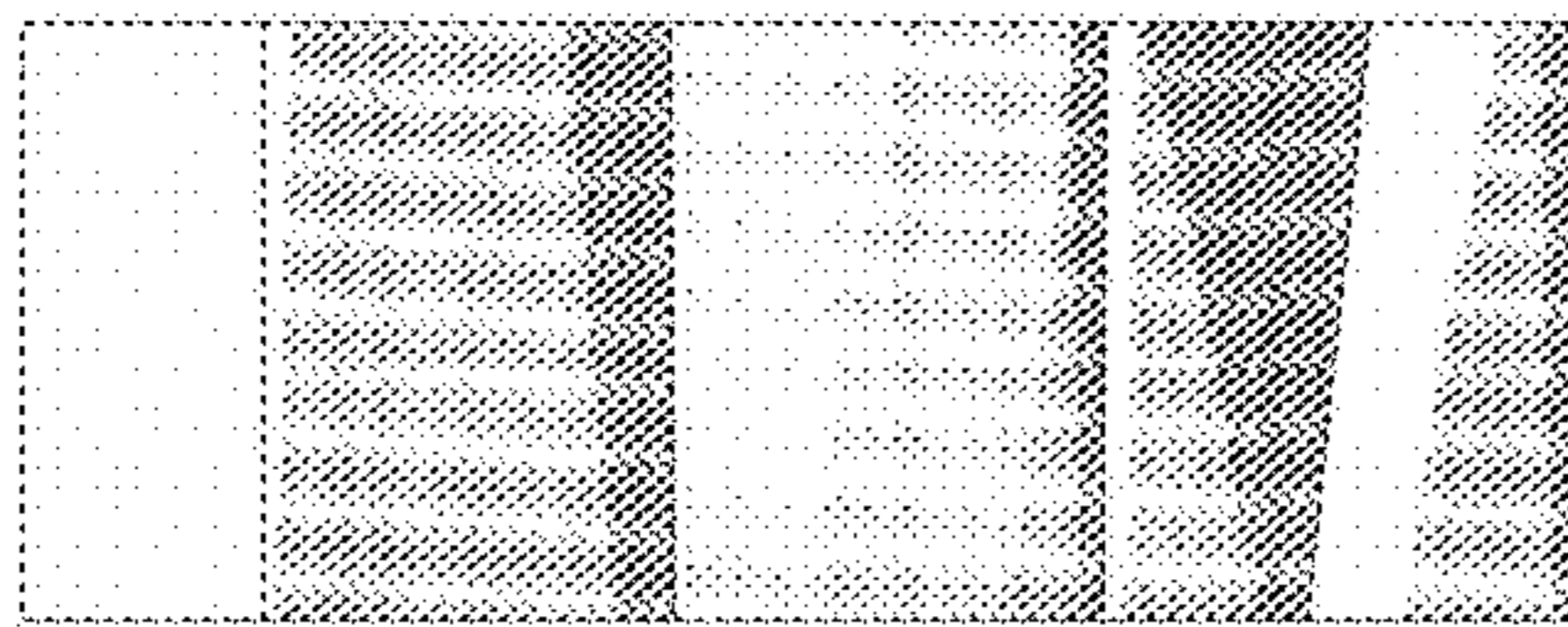


FIG. 43

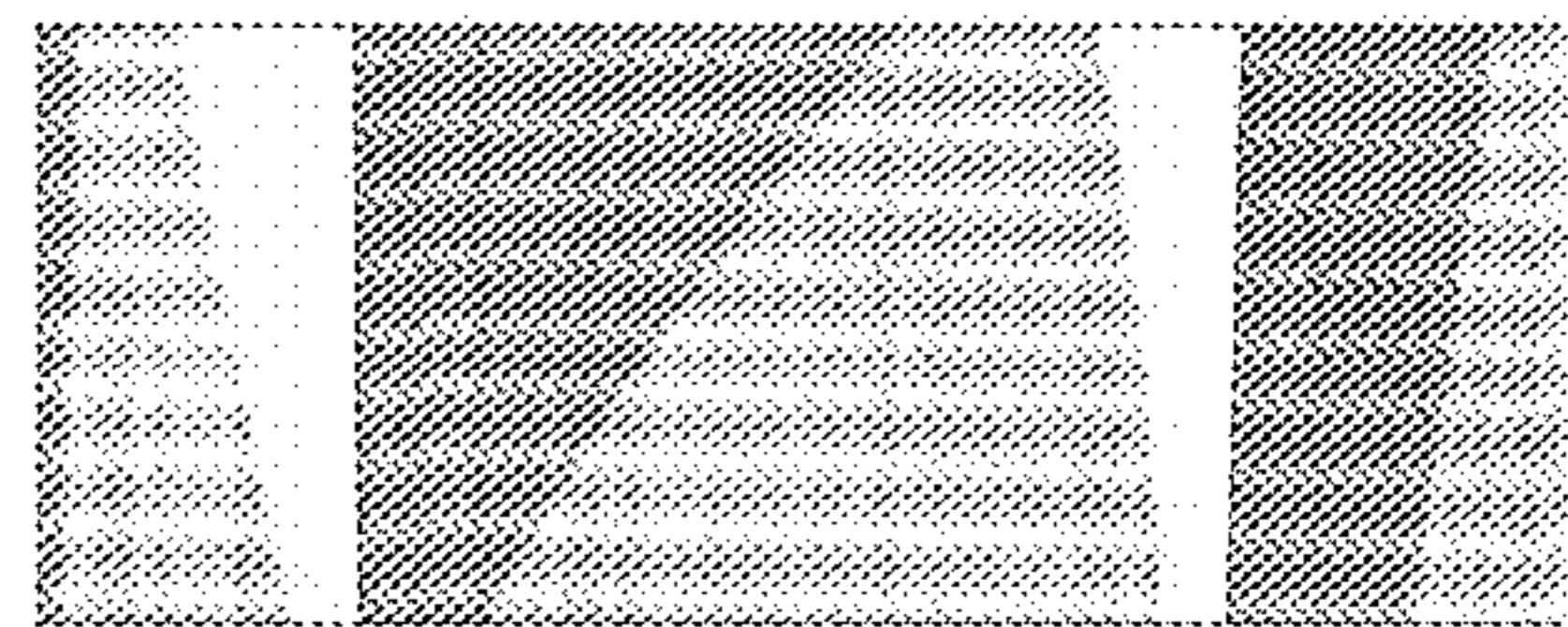


FIG. 44

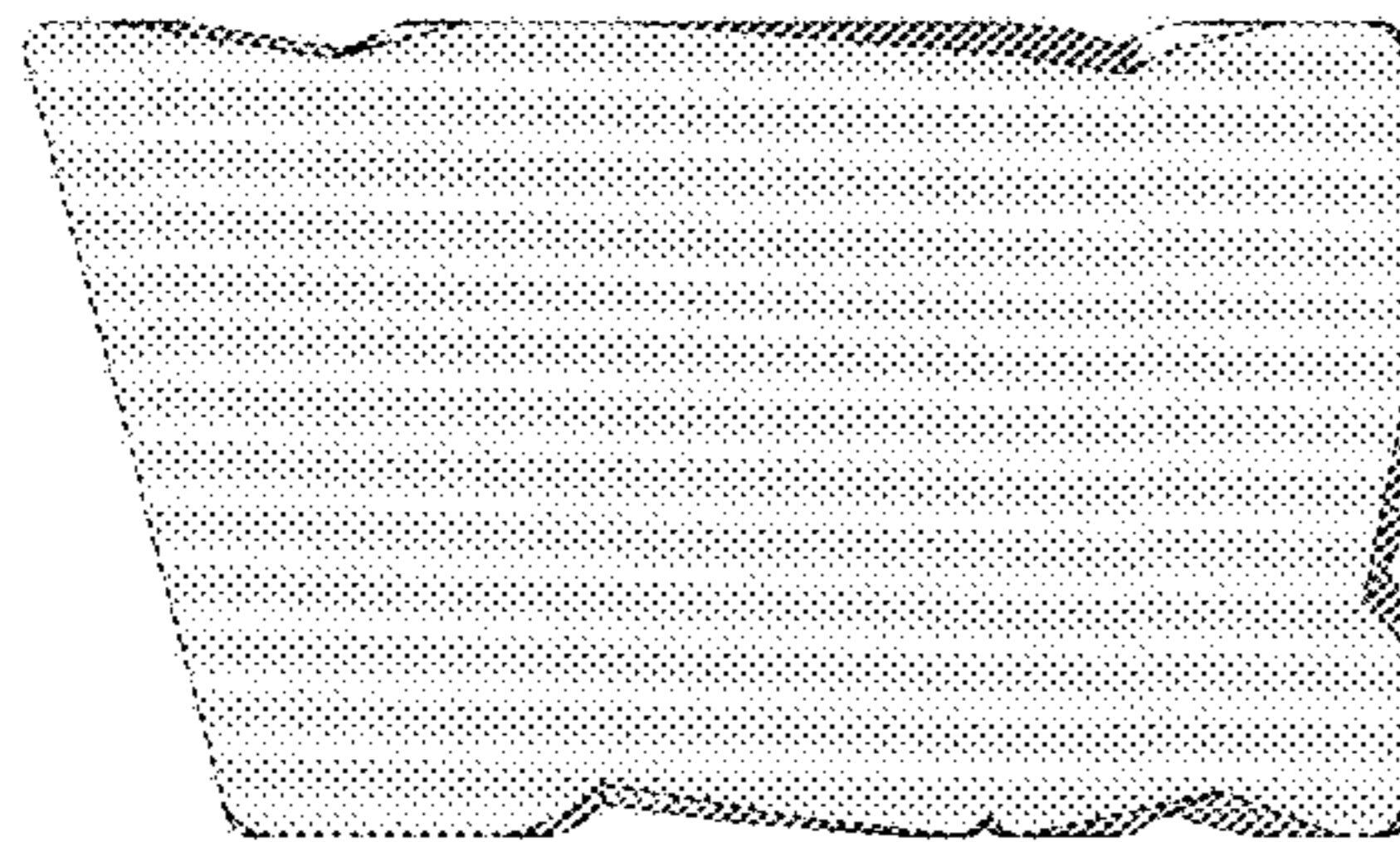


FIG. 45

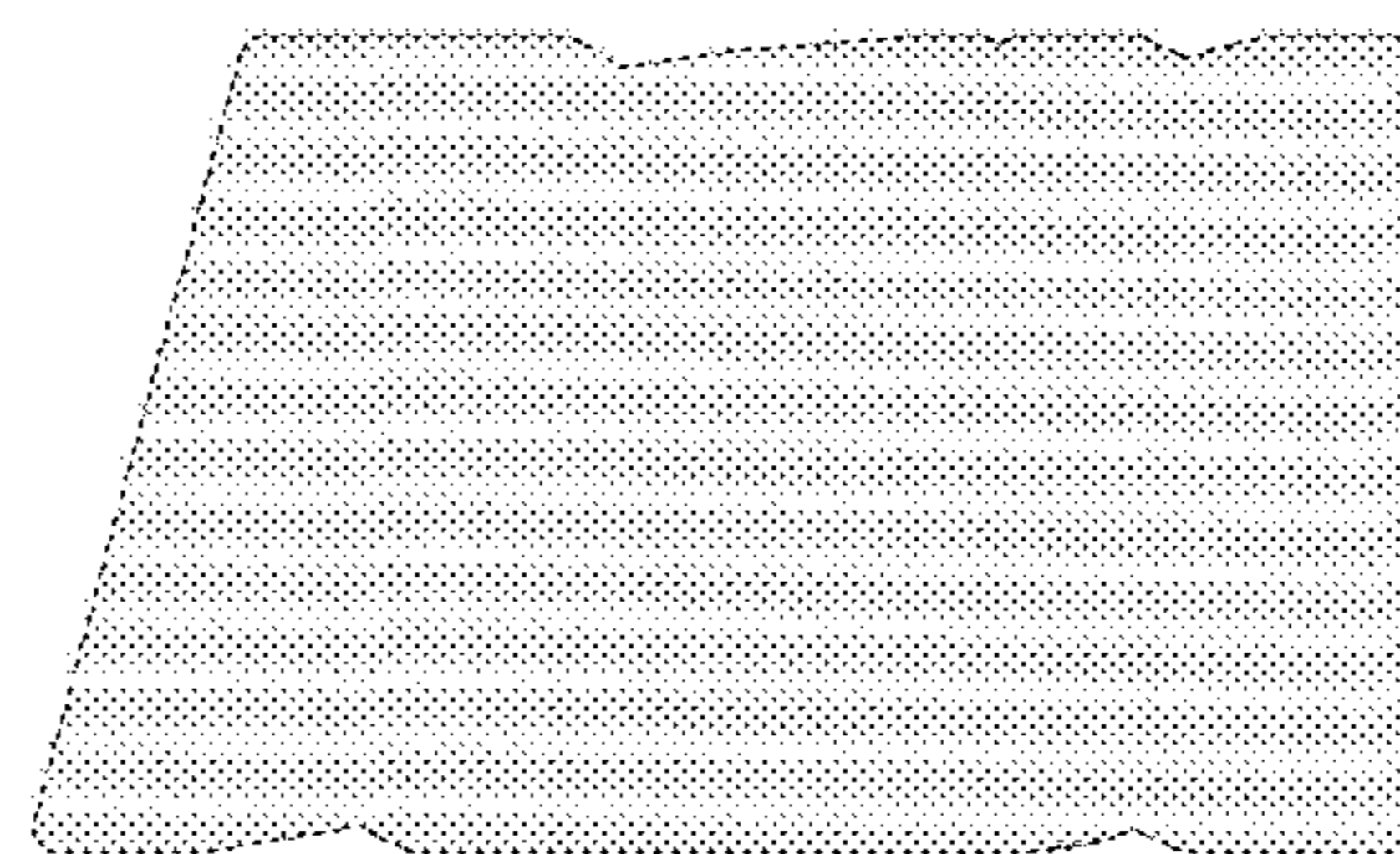


FIG. 46

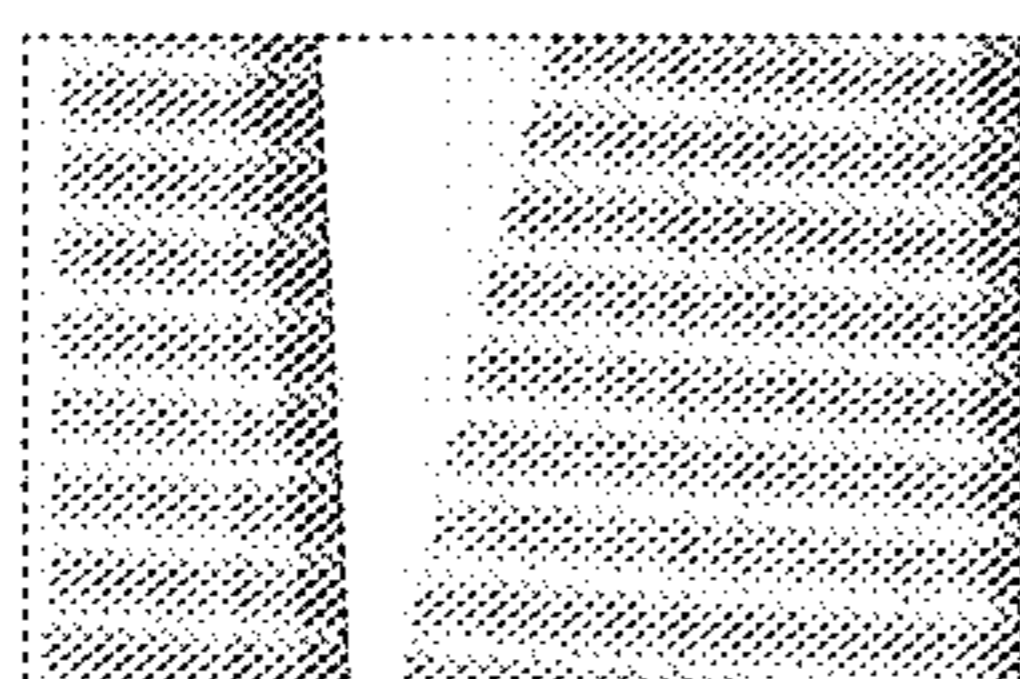


FIG. 47

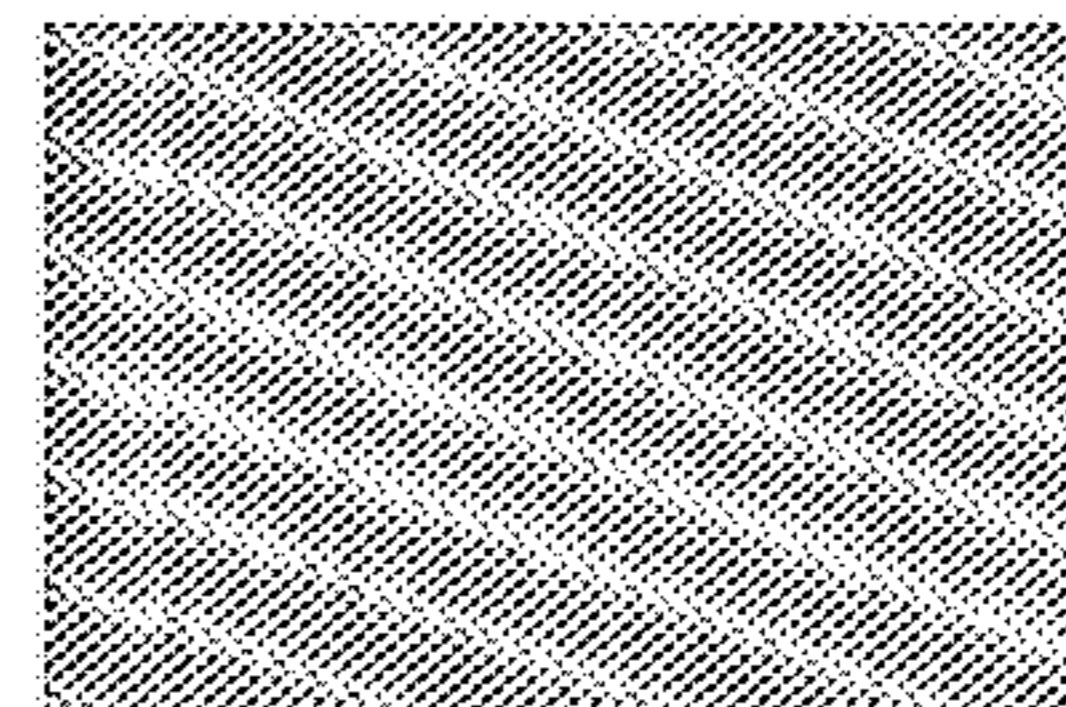


FIG. 48

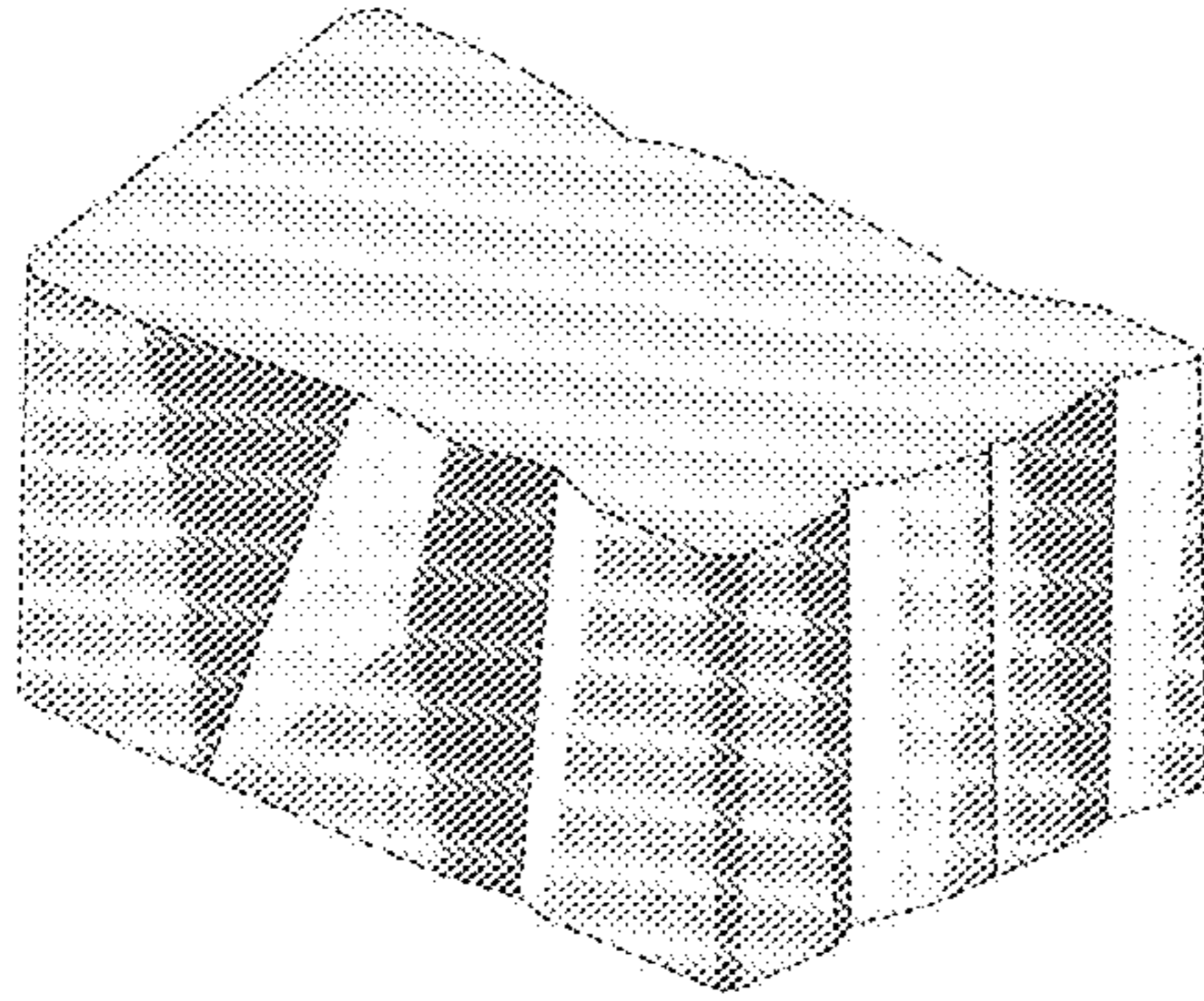


FIG. 49

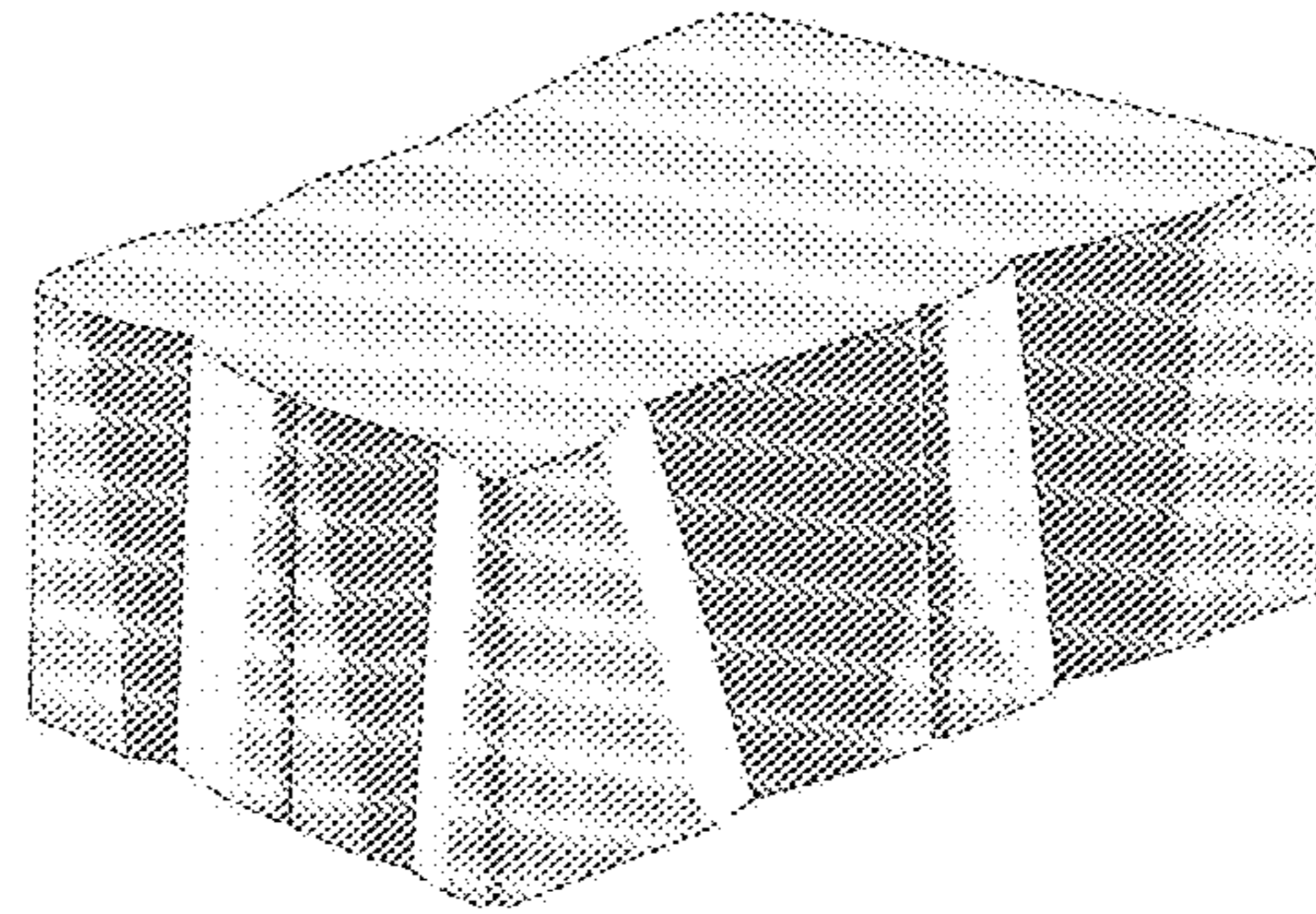


FIG. 50

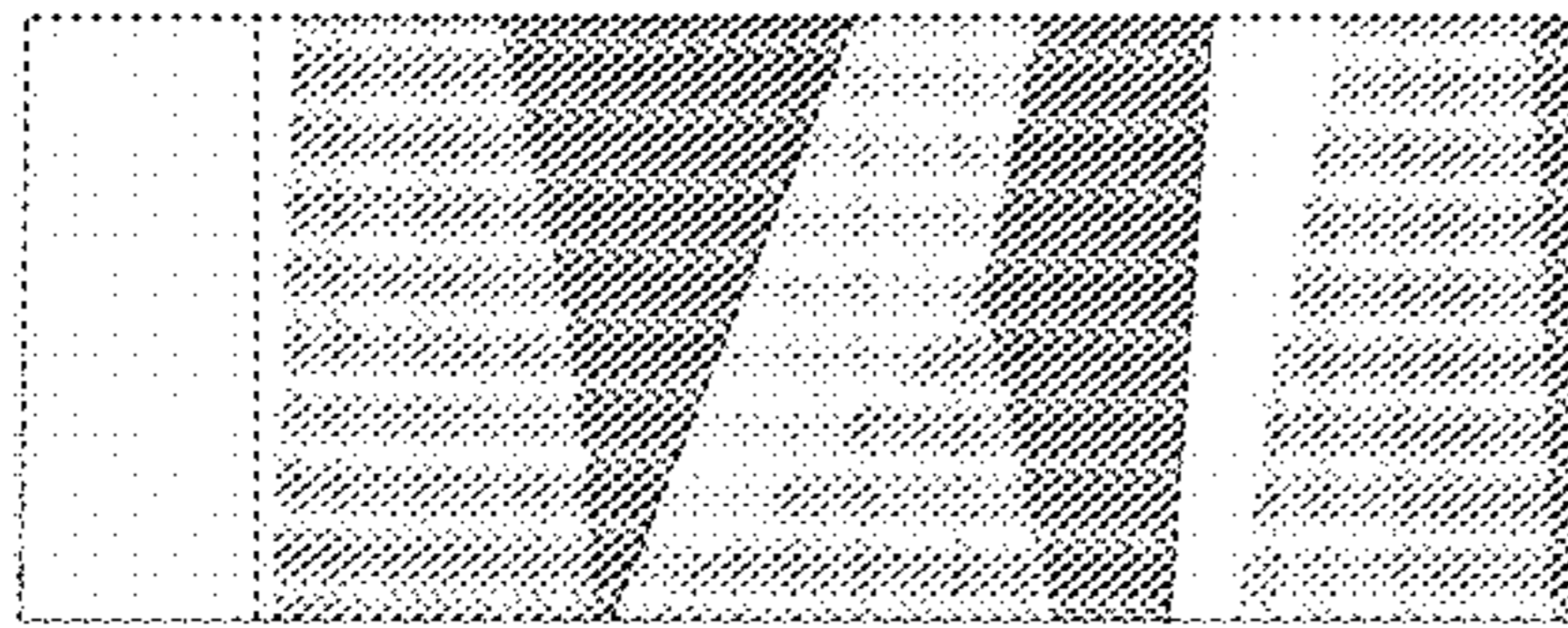


FIG. 51

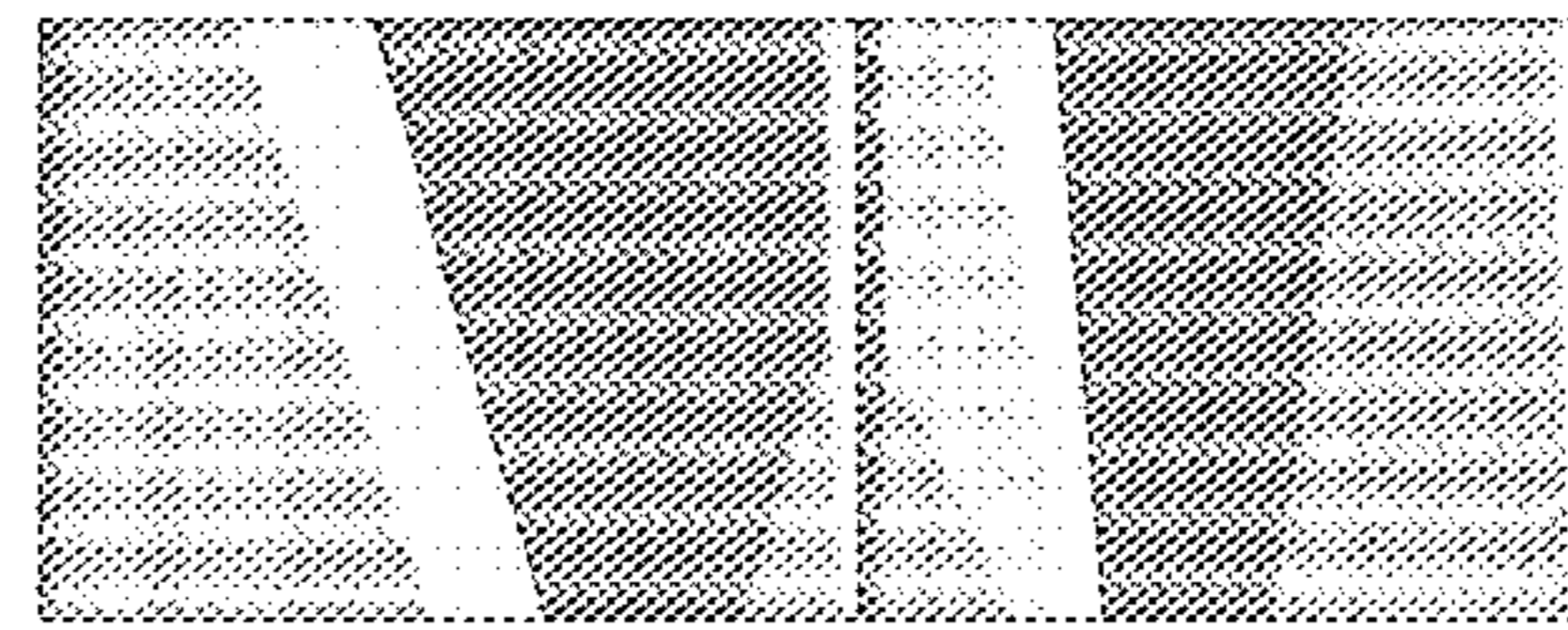


FIG. 52

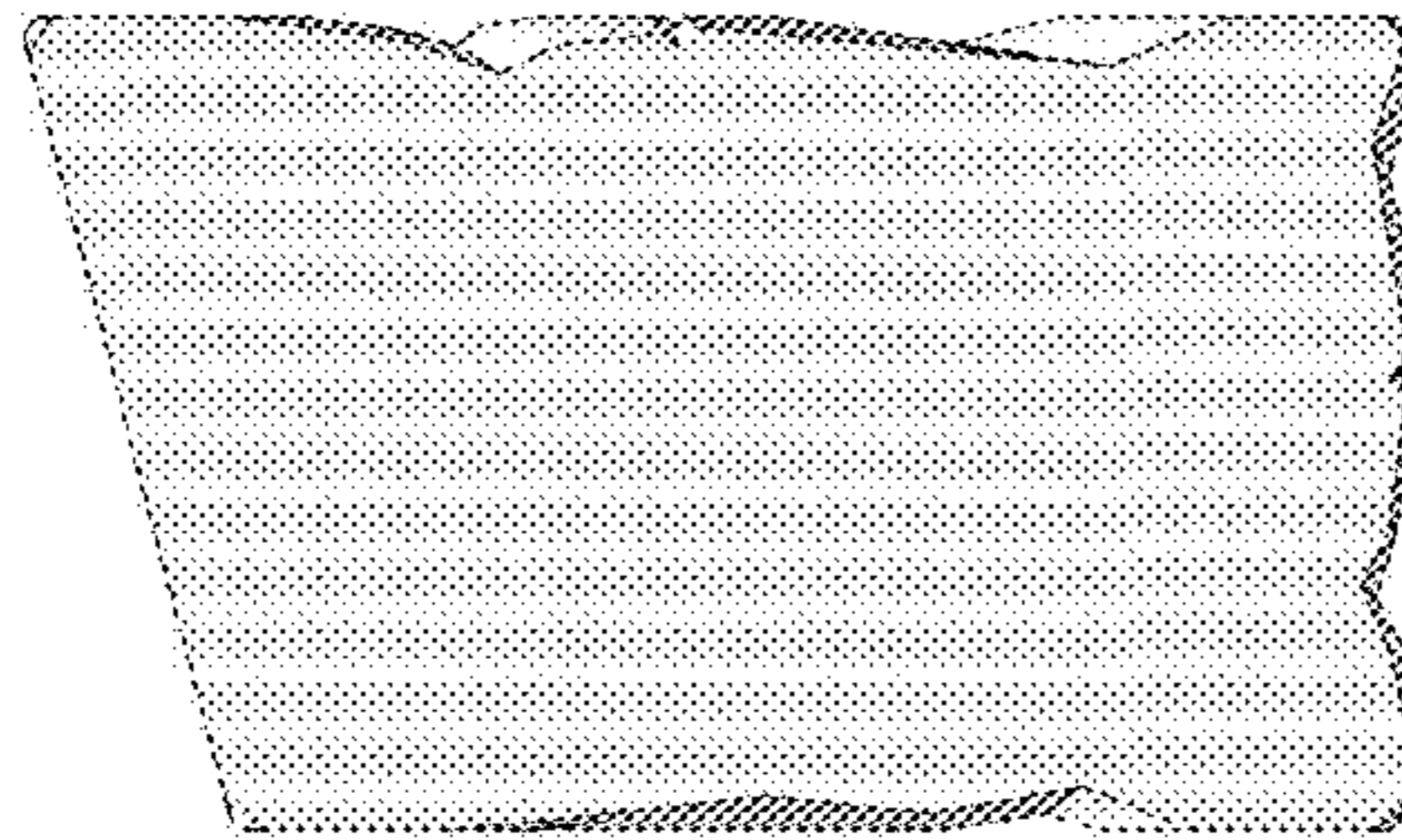


FIG. 53

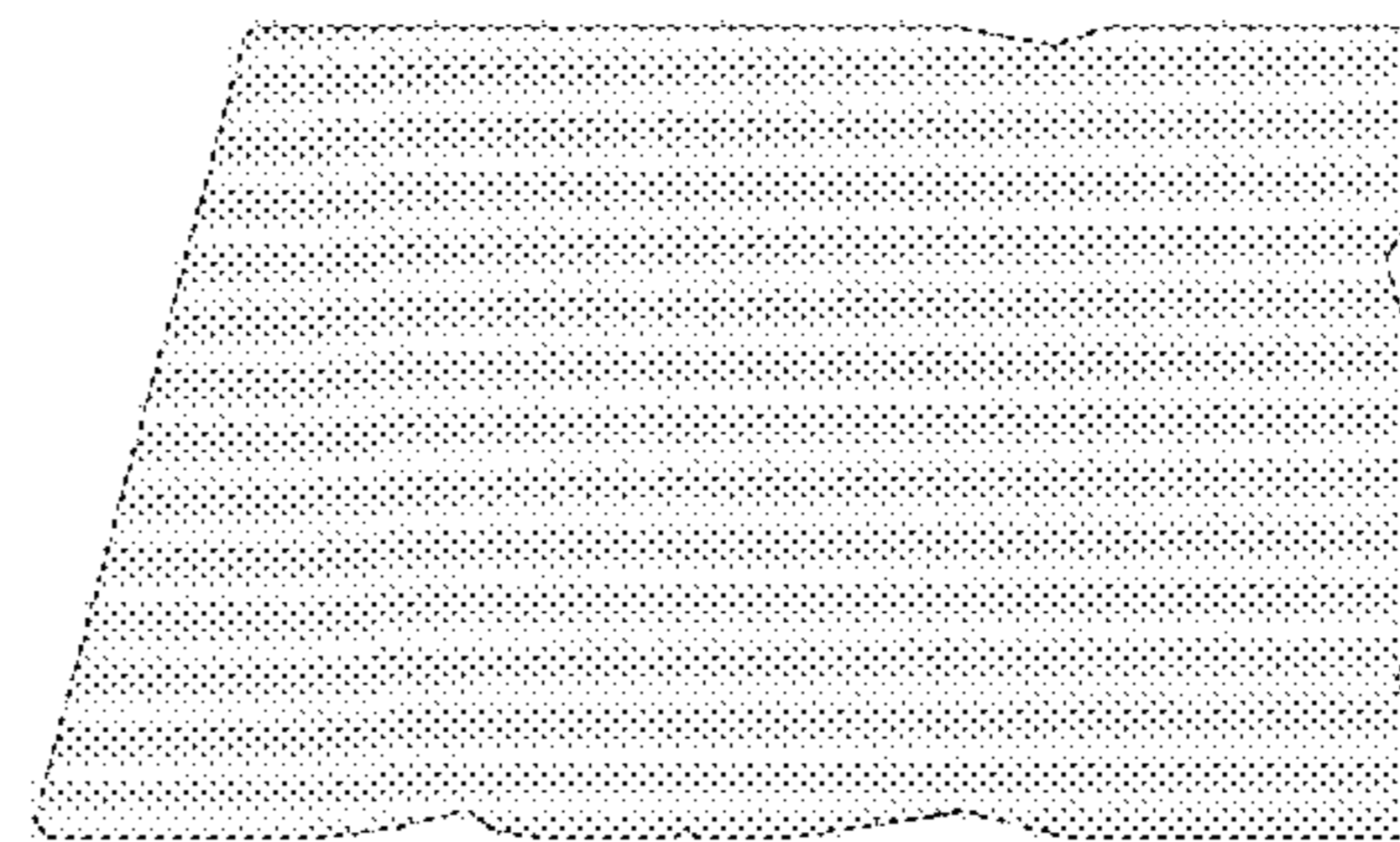


FIG. 54

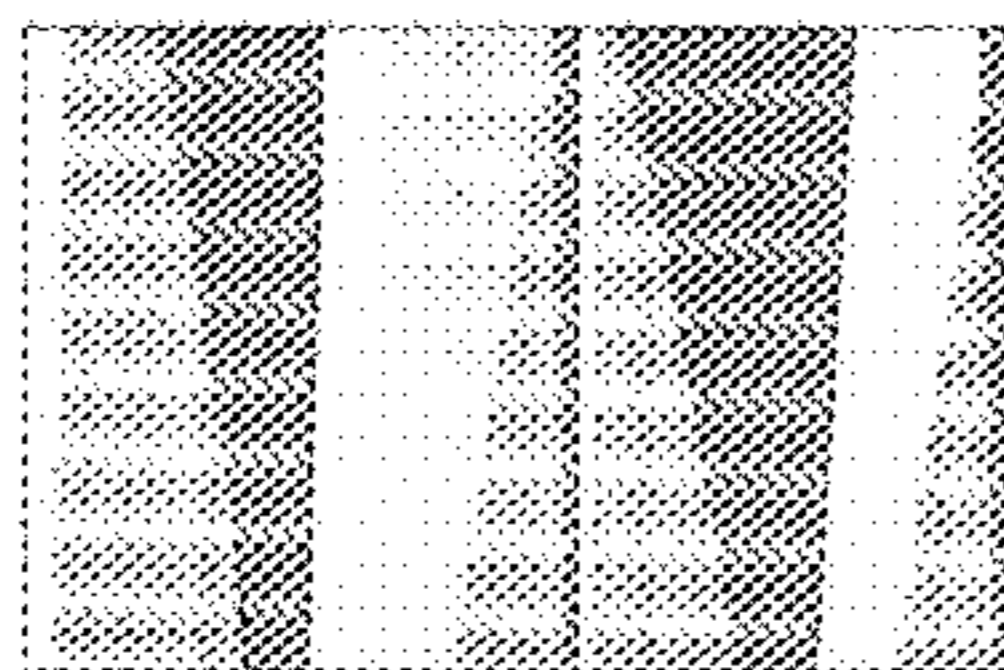


FIG. 55

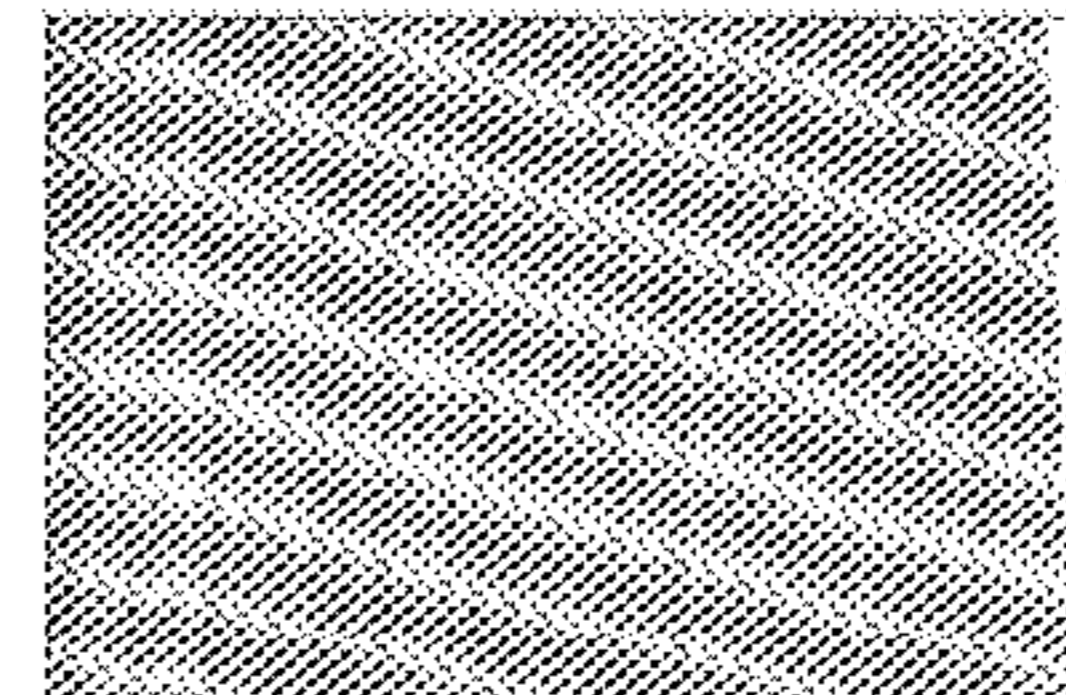


FIG. 56

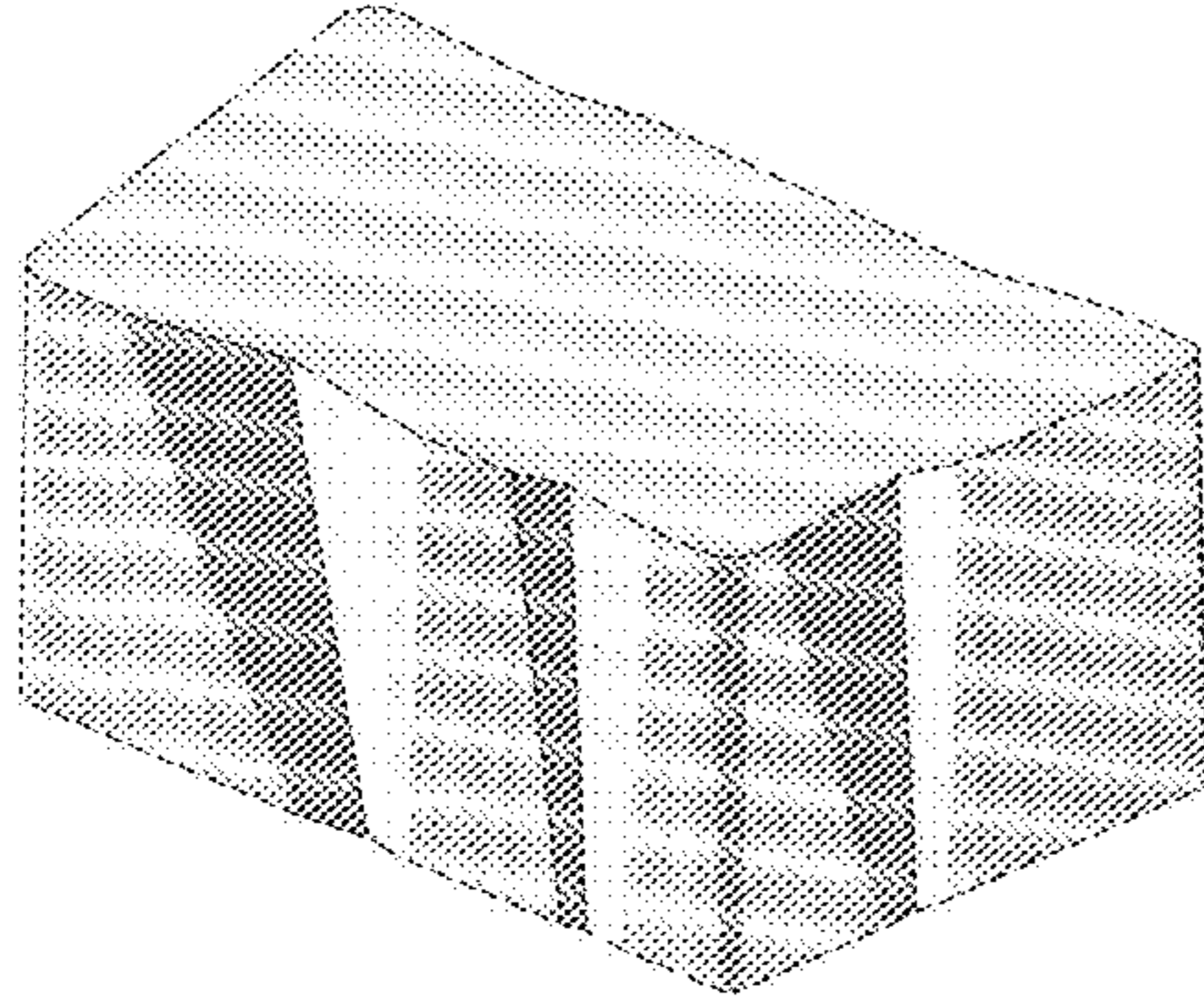


FIG. 57

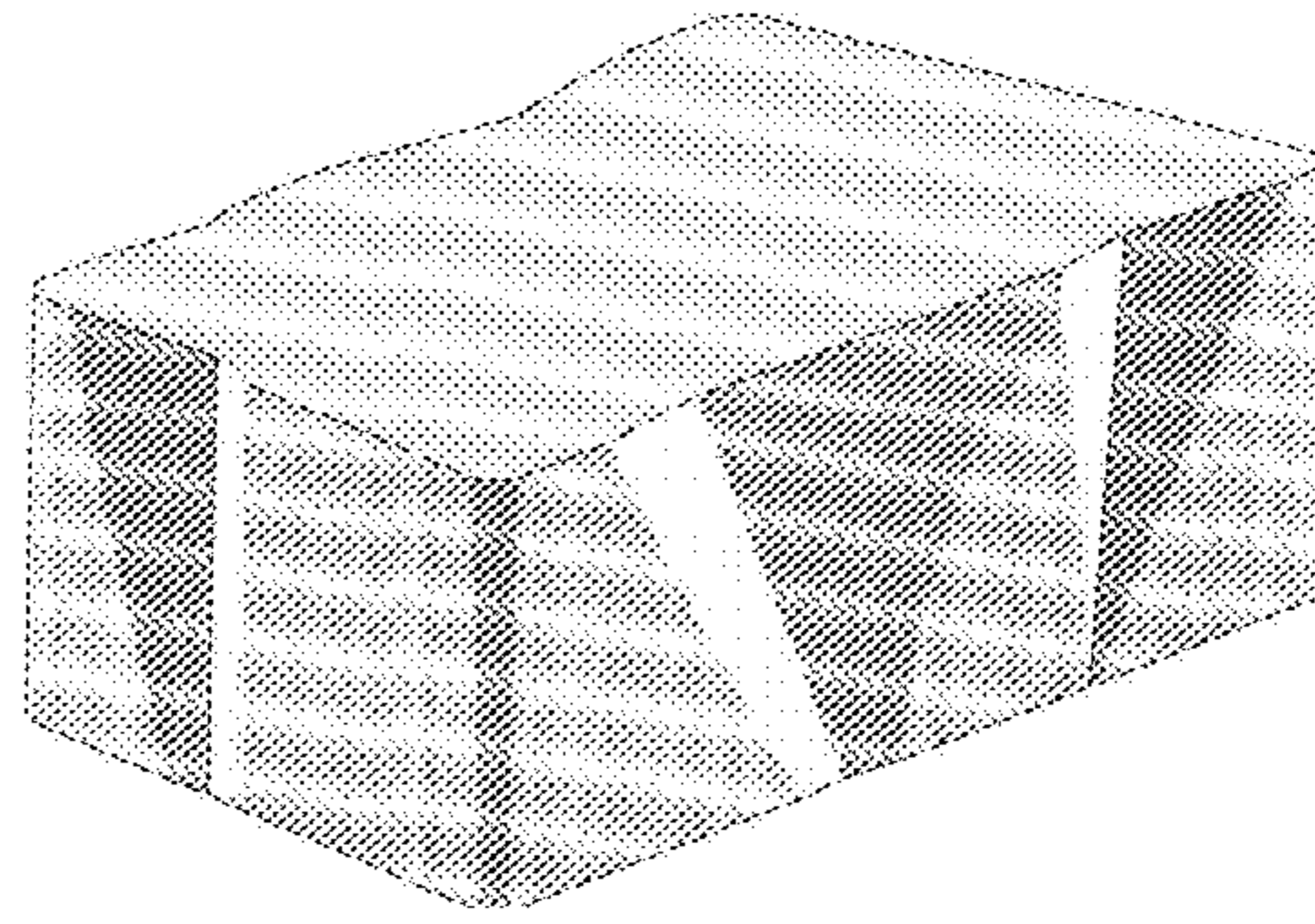


FIG. 58

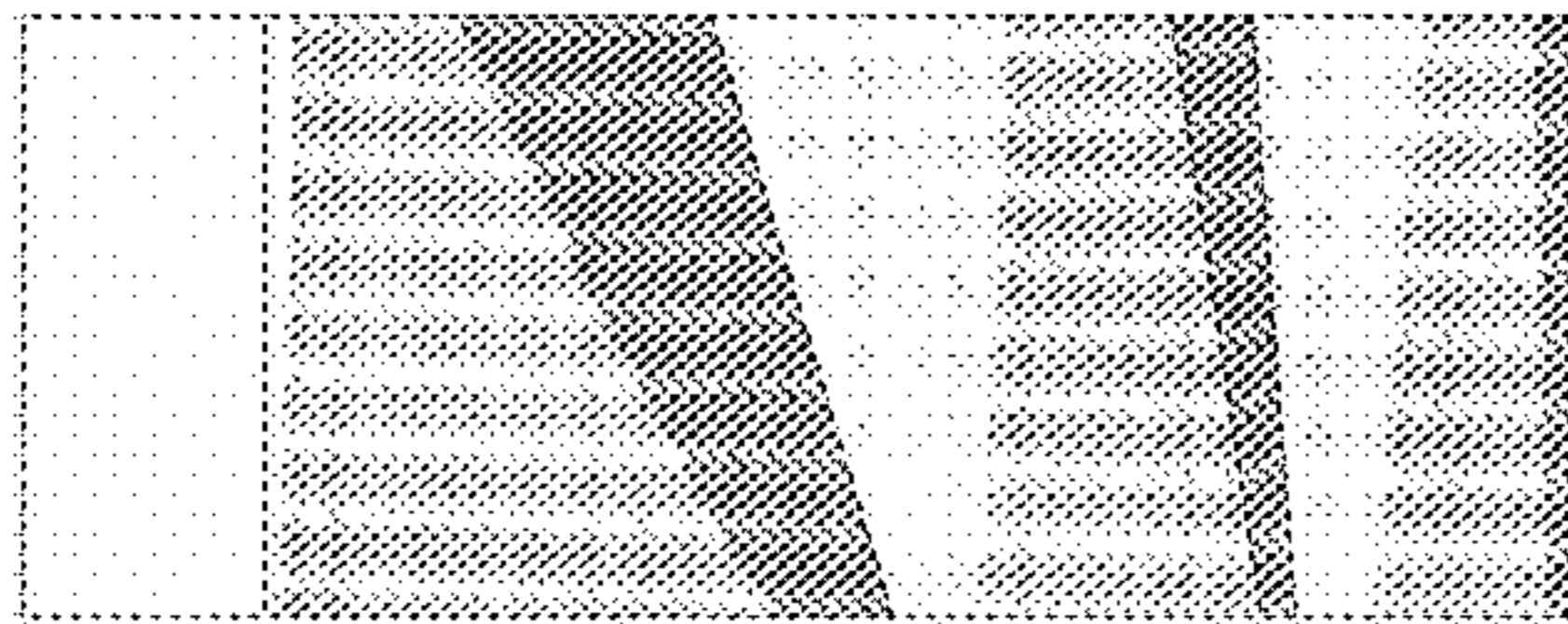


FIG. 59

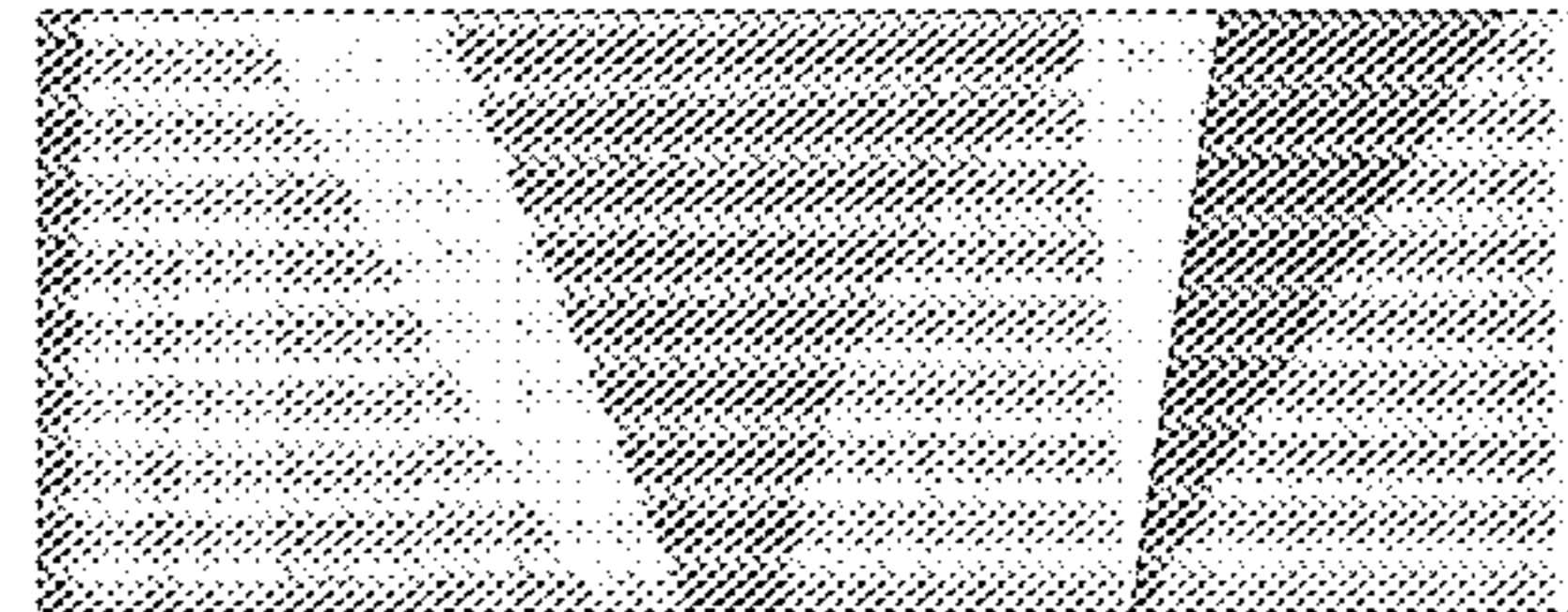


FIG. 60

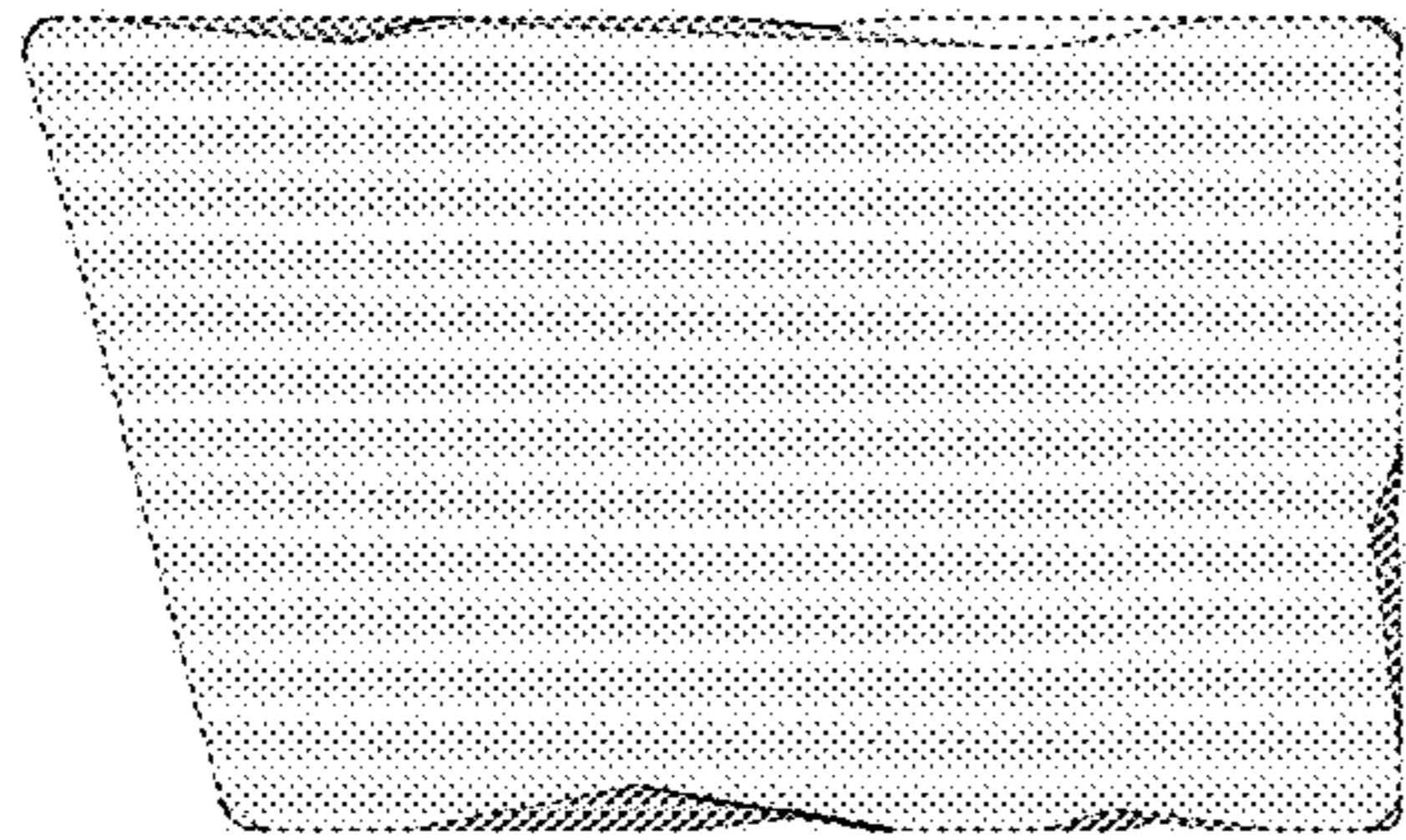


FIG. 61

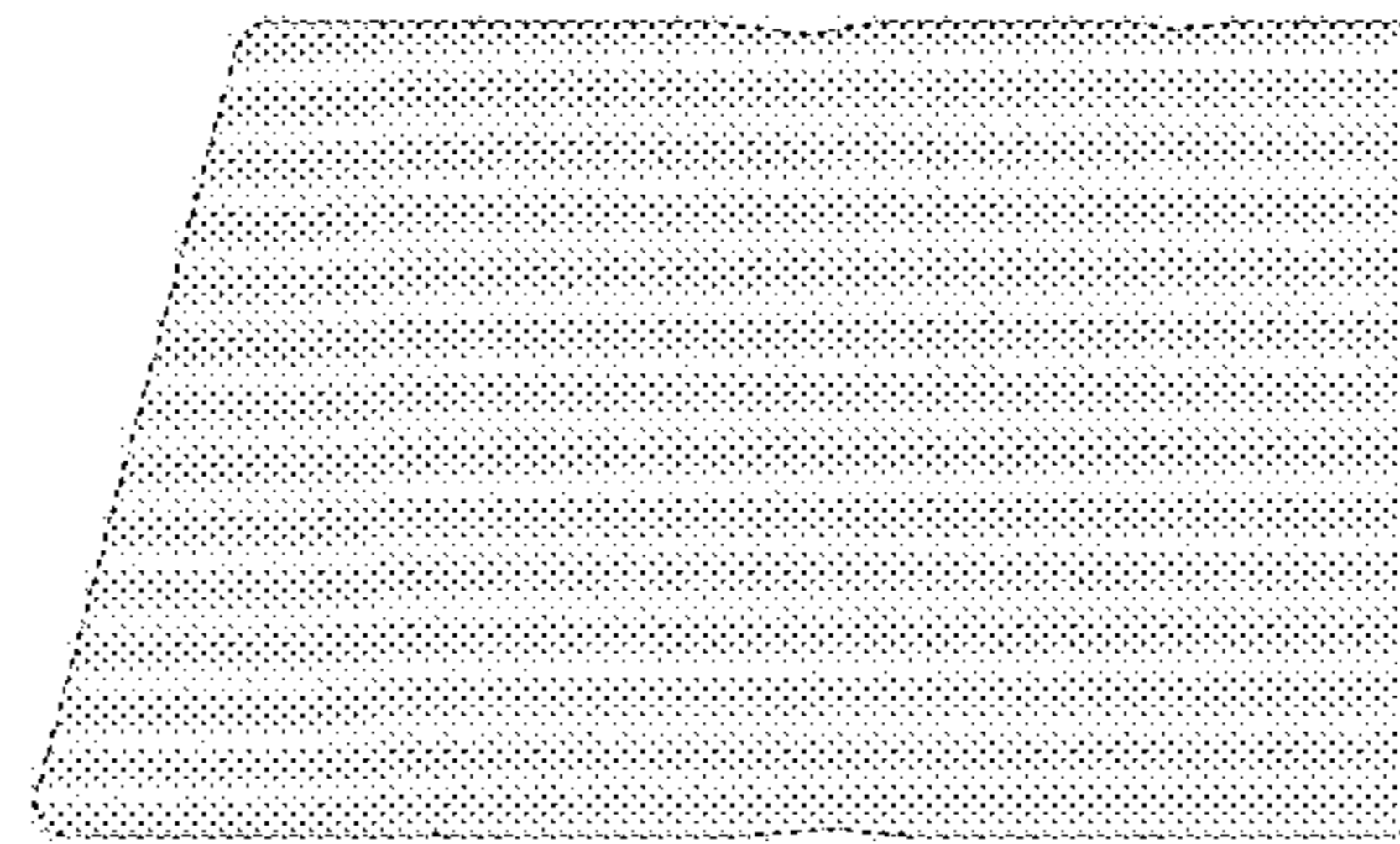


FIG. 62

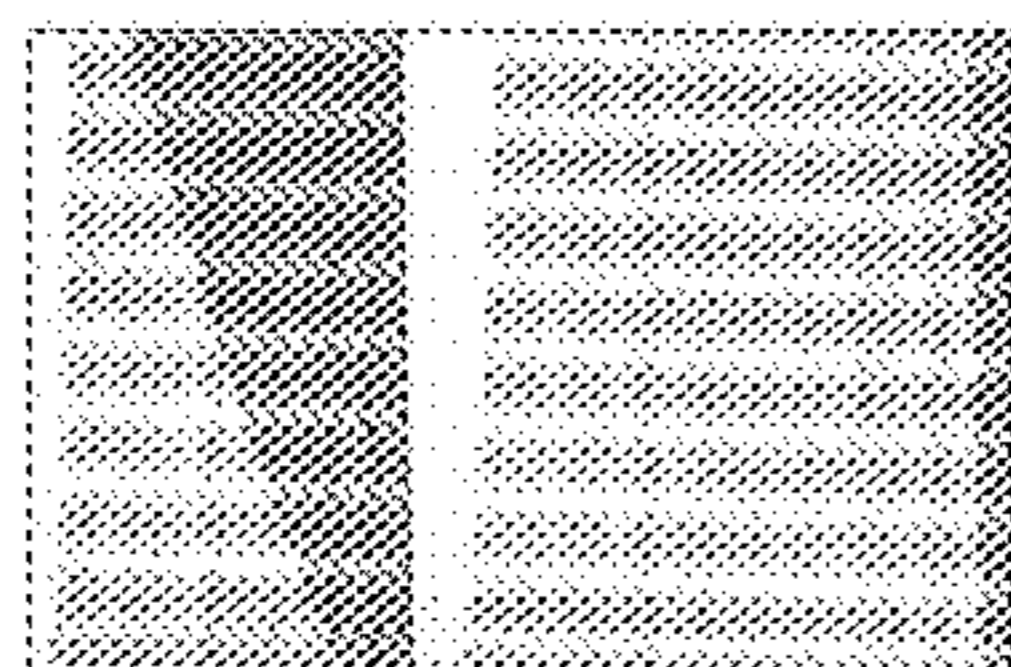


FIG. 63

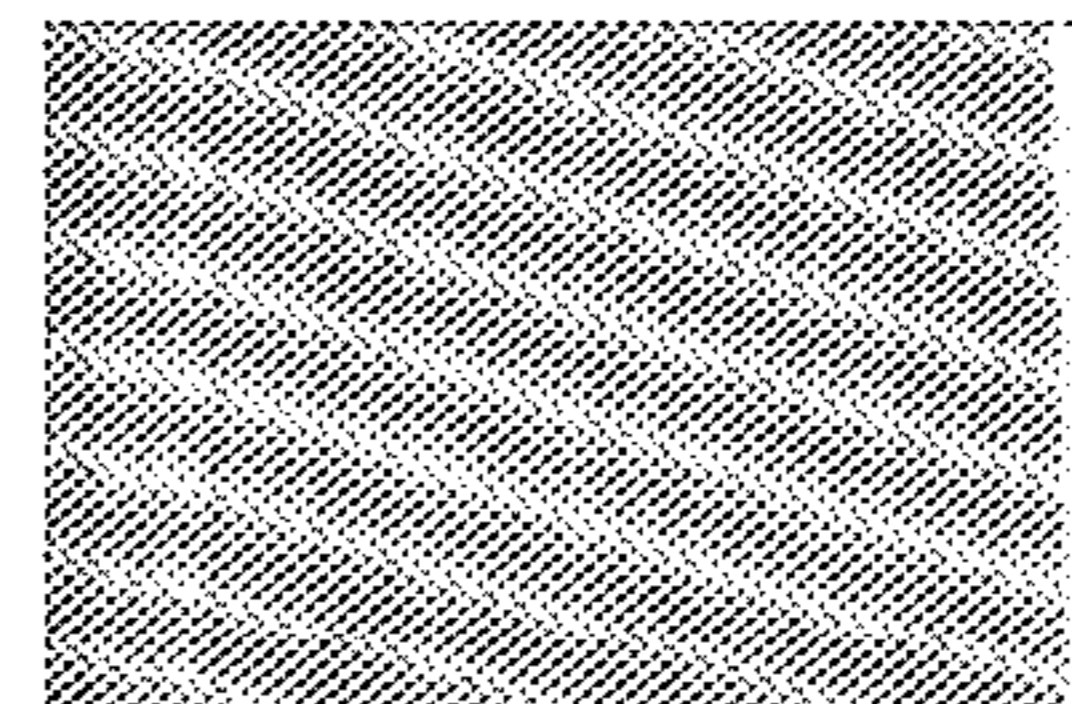


FIG. 64