



US00D866797S

(12) **United States Design Patent** (10) **Patent No.:** **US D866,797 S**
Bickel et al. (45) **Date of Patent:** **** Nov. 12, 2019**

(54) **SCREEN DOOR**

(71) Applicants: **Randy A. Bickel**, Elkhart, IN (US);
Grant James Mikosz, Edwardsburg,
MI (US)

(72) Inventors: **Randy A. Bickel**, Elkhart, IN (US);
Grant James Mikosz, Edwardsburg,
MI (US)

(**) Term: **15 Years**

(21) Appl. No.: **29/620,952**

(22) Filed: **Sep. 1, 2017**

(51) **LOC (12) Cl.** **12-16**

(52) **U.S. Cl.**
USPC **D25/48.8**

(58) **Field of Classification Search**
USPC D8/322, 339, 343, 346, 400, 499;
D12/183, 196, 100-106; D25/48.7, 48.8,
D25/60
CPC B60J 1/2011; B60J 5/0484; B60J 5/0486;
Y10S 160/02; B60P 3/36; E06B 7/30;
E06B 7/32; E05Y 2900/512
See application file for complete search history.

(56) **References Cited**

U.S. PATENT DOCUMENTS

2,827,739 A * 3/1958 Florian B29C 53/04
156/102
5,406,687 A * 4/1995 Caine E05F 1/1066
16/72
D378,420 S * 3/1997 Holby, Jr. D25/35
2015/0292257 A1* 10/2015 Kondo B60J 1/005
49/139
2017/0320380 A1* 11/2017 Requa B60J 5/049
2018/0100349 A1* 4/2018 Anderson B60J 5/0486

FOREIGN PATENT DOCUMENTS

CN 303452705 * 11/2015
CN 304227839 * 8/2017
CN 304227840 * 8/2017

OTHER PUBLICATIONS

<https://www.ebay.com/itm/153208428365> Oct. 6, 2018 (Year: 2018).*
<https://www.sunnyislandrv.com/rv/rockford+il/thormotorcoach+classc/1304/thor+motor+coach+four+winds+26b> Oct. 9, 2018 (Year: 2018).*

* cited by examiner

Primary Examiner — Leanne Was-Englehart

(74) *Attorney, Agent, or Firm* — Botkin & Hall, LLP

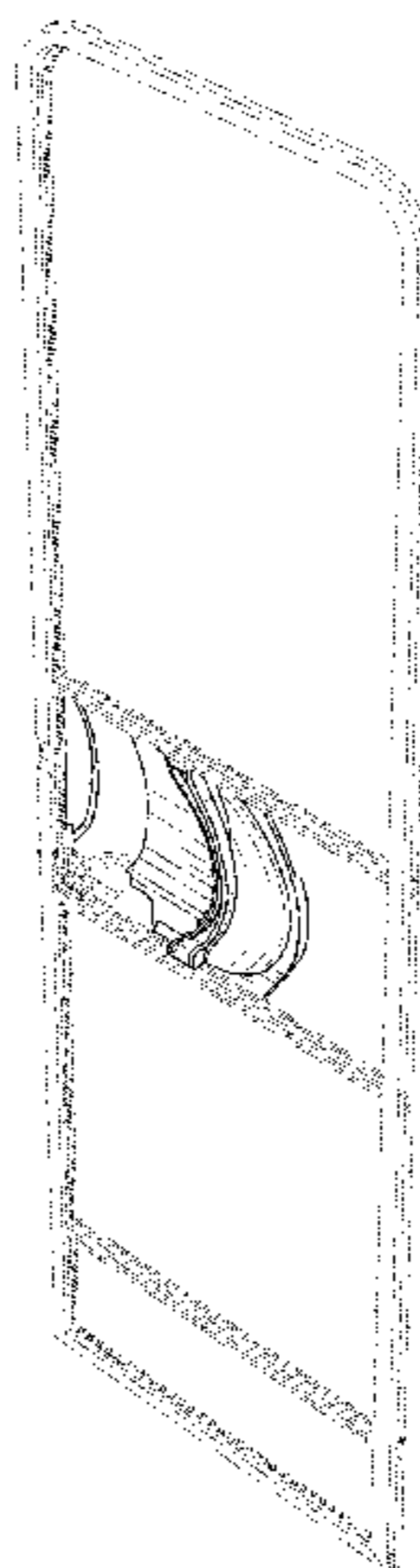
(57) **CLAIM**

The ornamental design for a screen door, as shown and described.

DESCRIPTION

FIG. 1 is an overall isometric view of the screen door showing a back side;
FIG. 2 is an enlarged isometric back view of the screen door shown in FIG. 1;
FIG. 3 is an enlarged isometric front view of the screen door shown in FIGS. 1 and 2;
FIG. 4 is an enlarged back view of the screen door shown in FIGS. 1-3;
FIG. 5 is an enlarged front view of the screen door shown in FIGS. 1-4;
FIG. 6 is a top view of the screen door shown in FIGS. 1-5;
FIG. 7 is a bottom view of the screen door shown in FIGS. 1-6;
FIG. 8 is right side view of the screen door shown in FIGS. 1-7; and,
FIG. 9 is a left side view of the screen door shown in FIGS. 1-8.
The broken lines illustrate features that form no part of the claimed design.

1 Claim, 7 Drawing Sheets



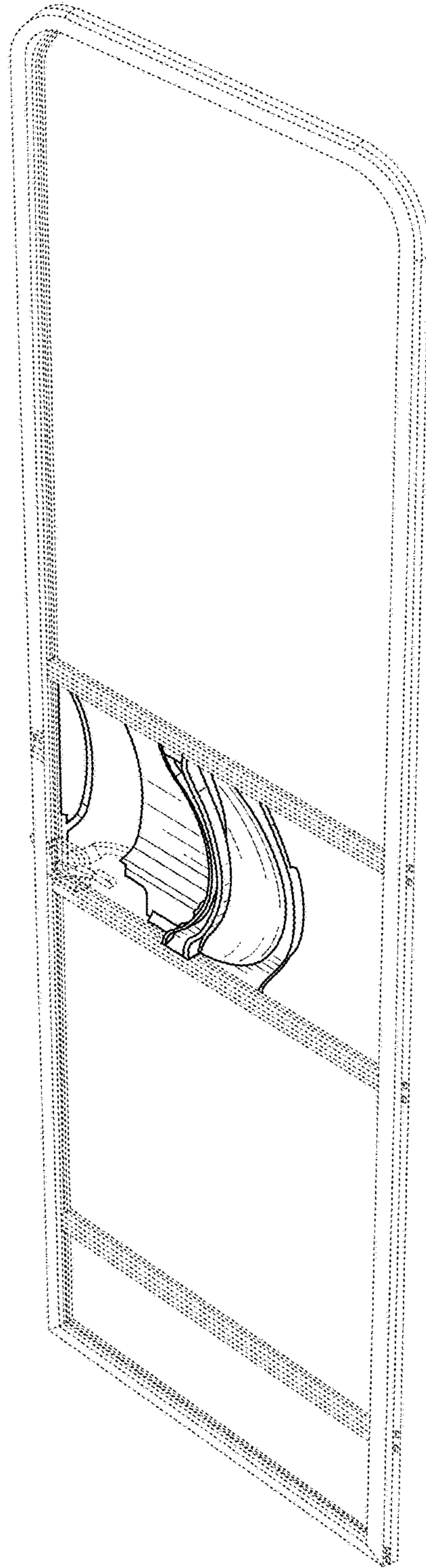


FIG. 1

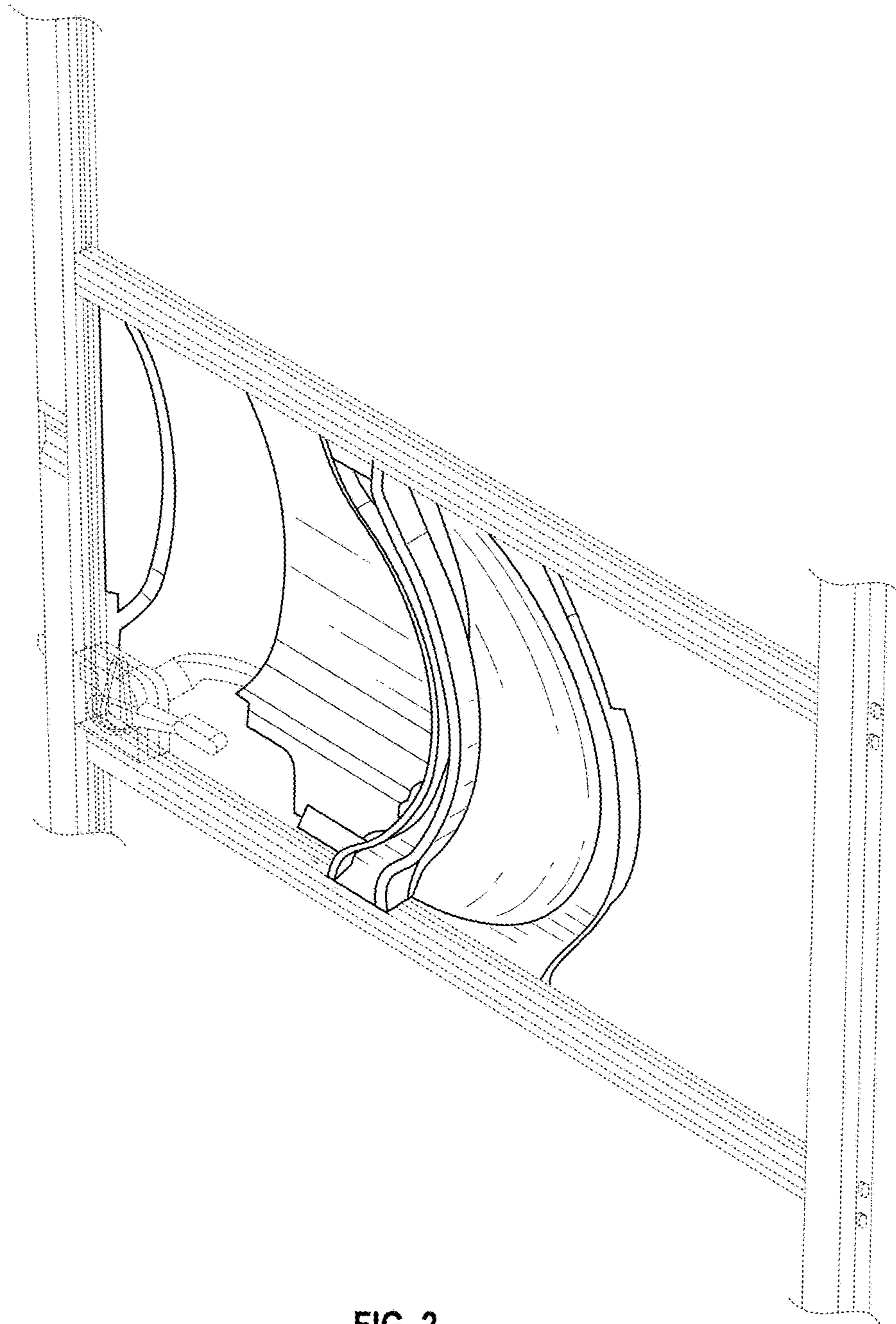


FIG. 2

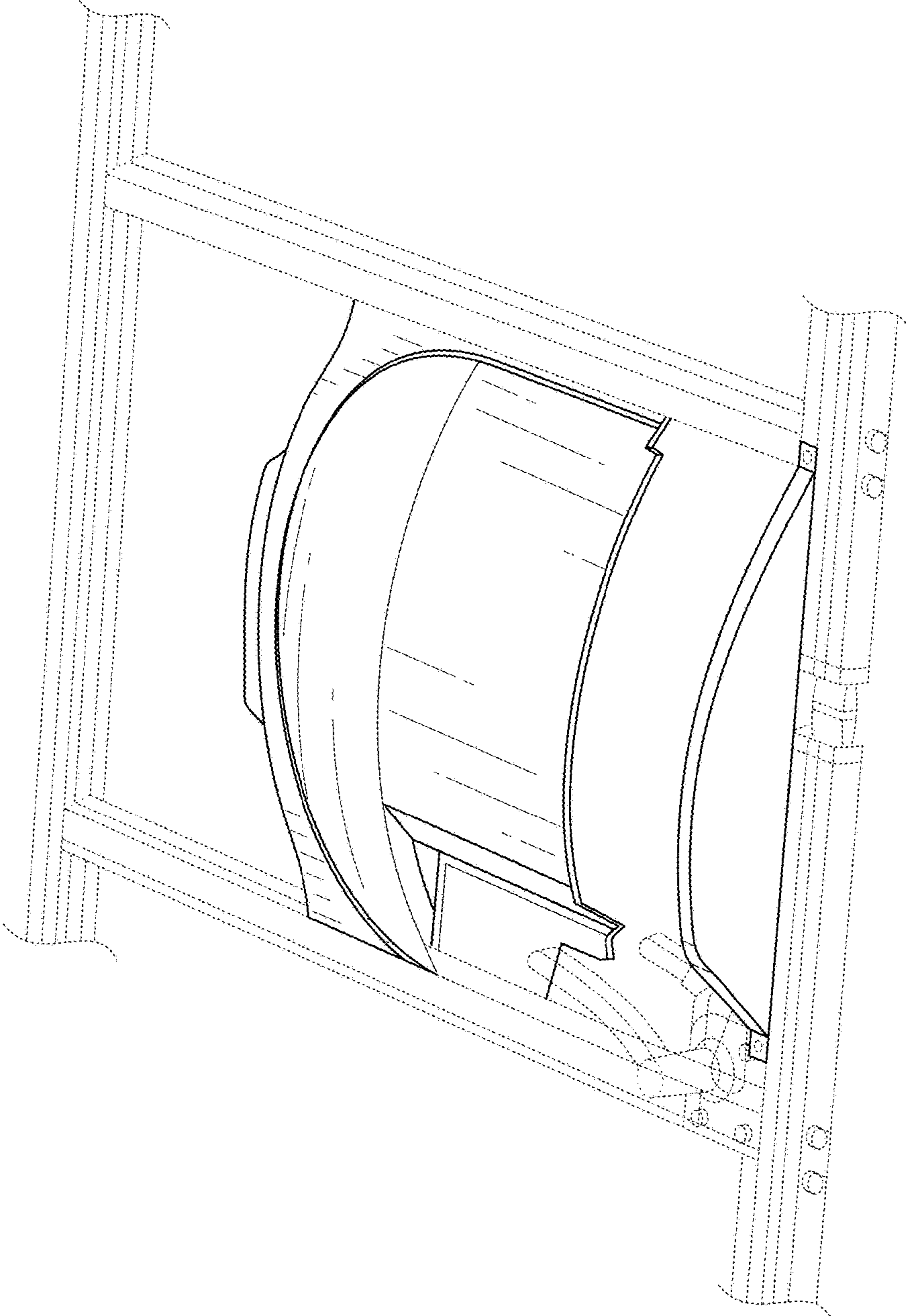


FIG. 3

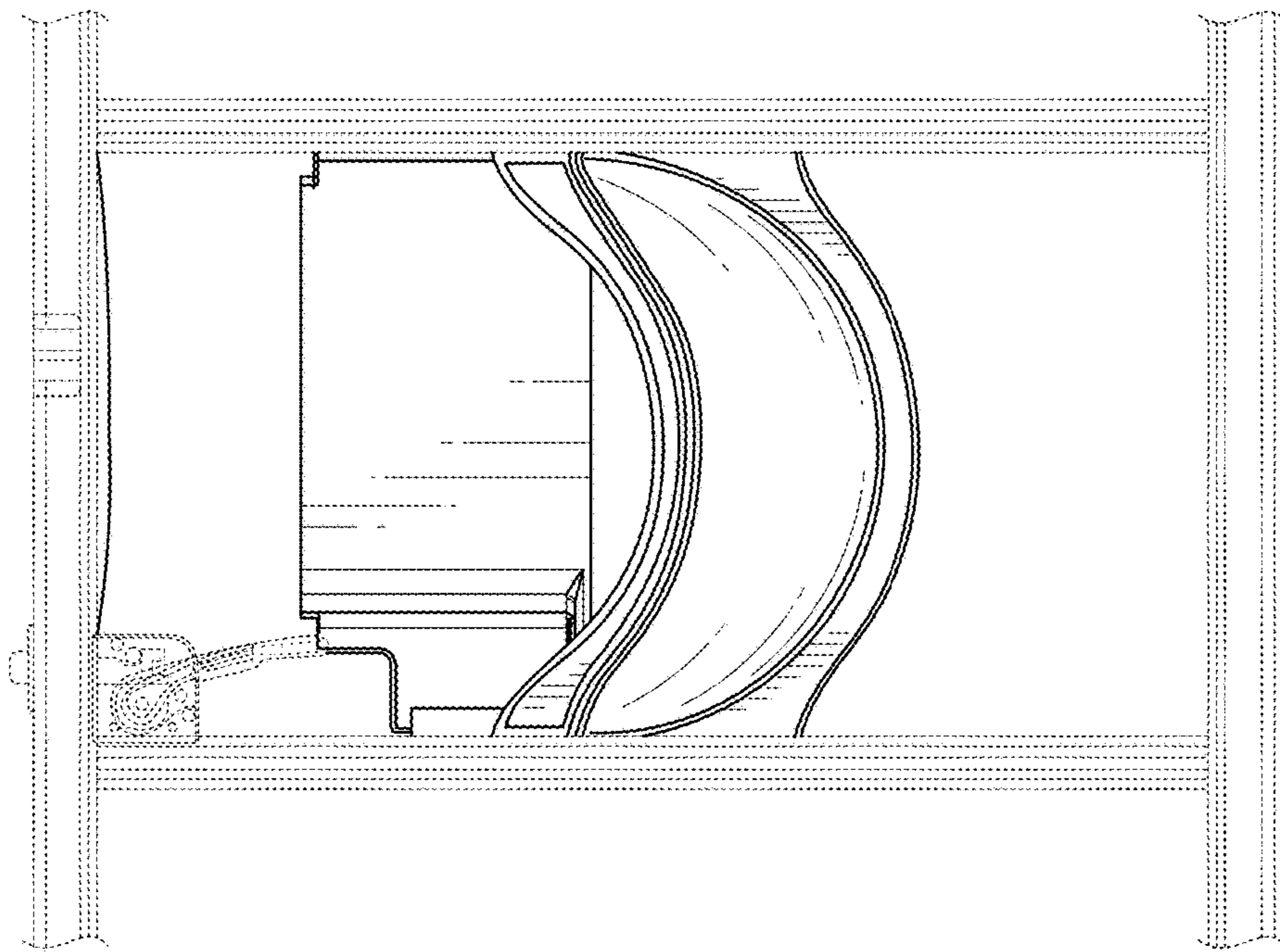


FIG. 4

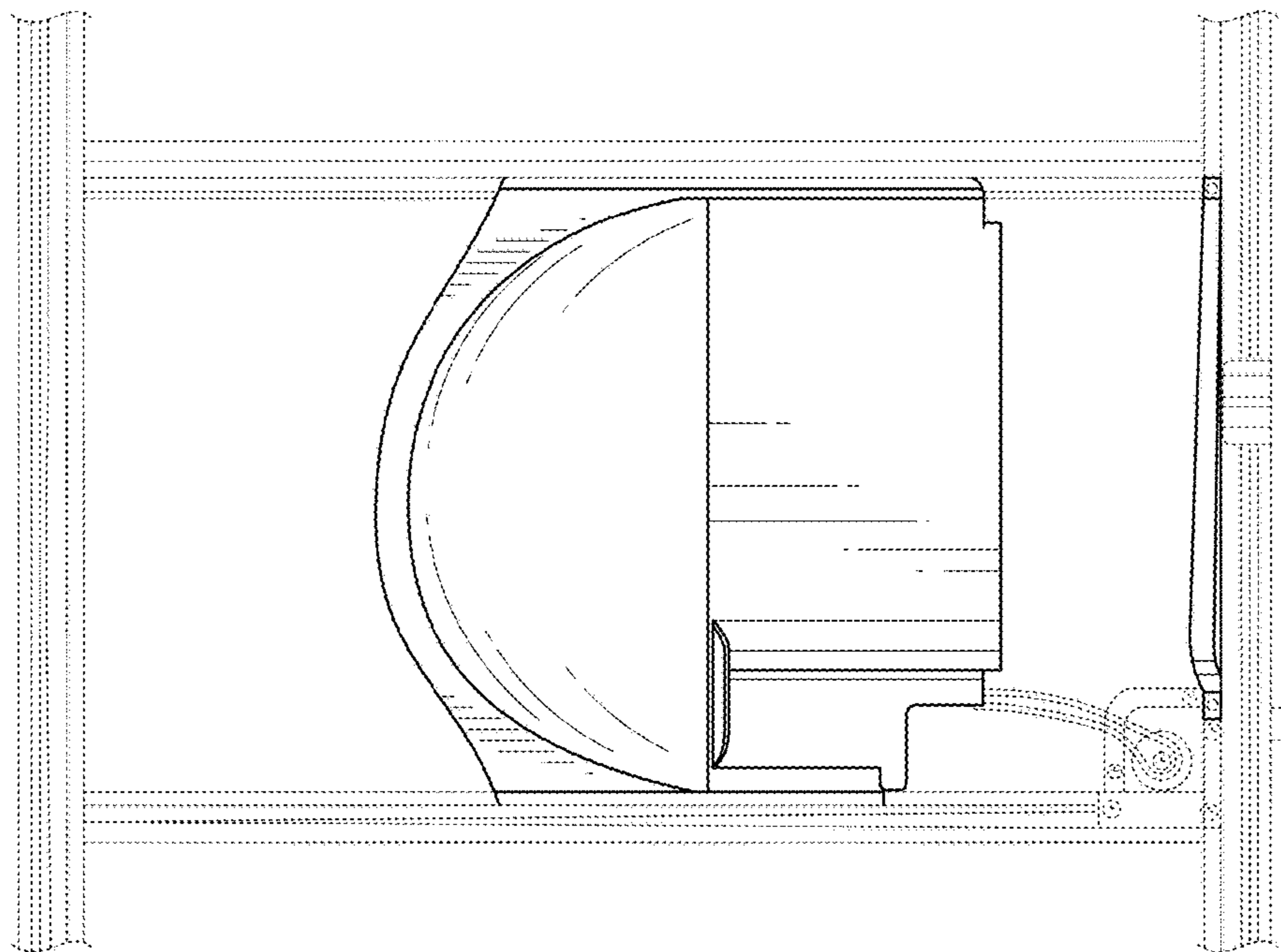


FIG. 5

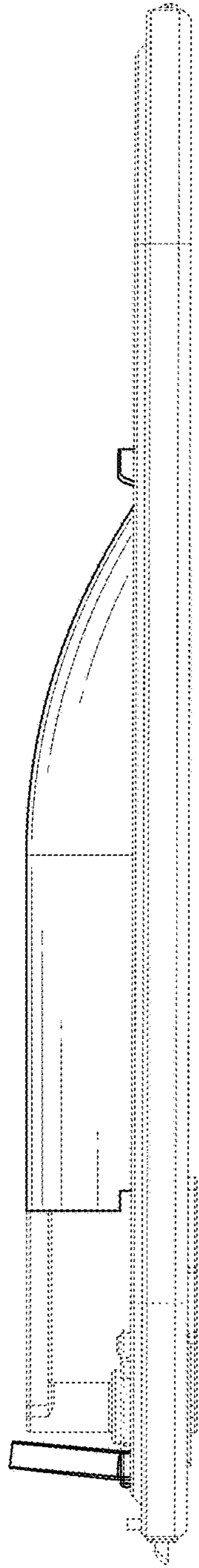


FIG. 6

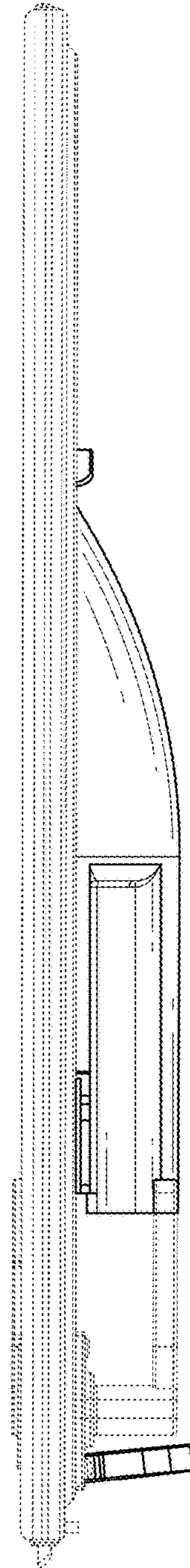


FIG. 7

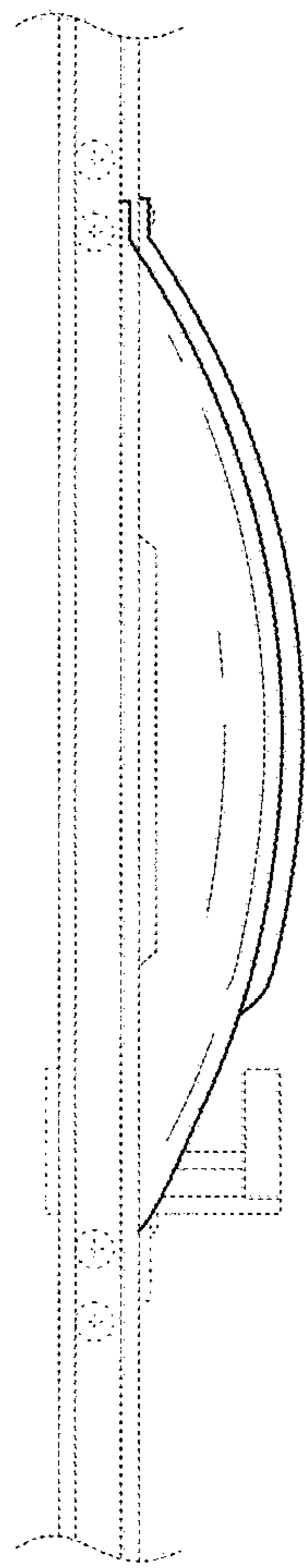


FIG. 8

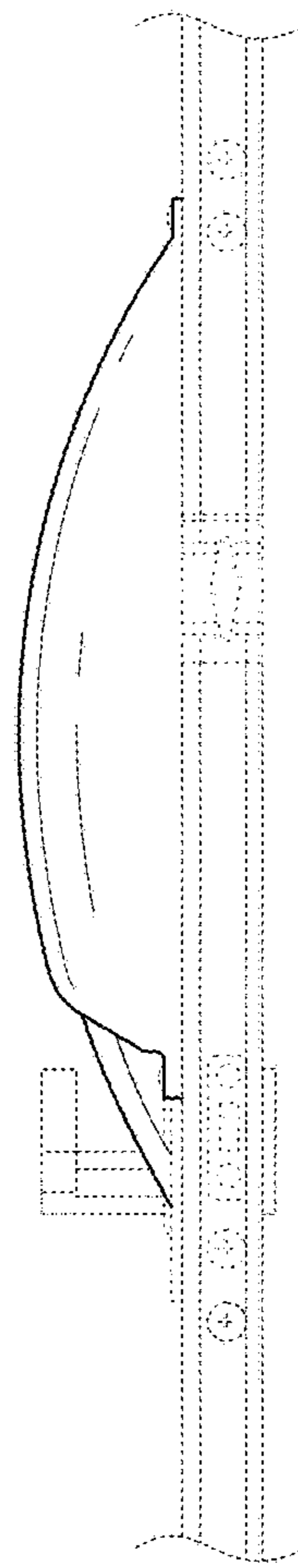


FIG. 9