



US00D866792S

(12) **United States Design Patent**
Latchman-Bloom

(10) **Patent No.:** **US D866,792 S**

(45) **Date of Patent:** **** Nov. 12, 2019**

(54) **STERILIZATION APPARATUS**
(71) Applicant: **Rose Latchman-Bloom**, London (GB)
(72) Inventor: **Rose Latchman-Bloom**, London (GB)
(**) Term: **15 Years**
(21) Appl. No.: **29/656,689**
(22) Filed: **Jul. 16, 2018**

6,242,753 B1 * 6/2001 Sakurai A61L 2/08
250/504 R
D485,364 S * 1/2004 Lee D24/217
7,888,657 B1 * 2/2011 Zadro A61L 2/10
250/455.11
8,105,532 B2 * 1/2012 Harmon A61L 2/10
250/455.11
D672,048 S * 12/2012 Datema D24/210
D759,264 S * 6/2016 Latchman-Bloom D24/217

(Continued)

(30) **Foreign Application Priority Data**

Feb. 6, 2018 (EM) 004696888-0001

(51) **LOC (12) Cl.** **24-01**

(52) **U.S. Cl.**
USPC **D24/217**

(58) **Field of Classification Search**
USPC D24/200, 209-213, 217-219, 224-232,
D24/186, 107, 108; D23/366; D32/1,
D32/25; D28/44, 73; 422/24, 26, 27,
422/307; 250/455.11
CPC A61L 2/26; A61L 2/24; A61L 2/17; A61L
2/18; A61L 2/025; A61L 2/10; A61L
2/084; A61L 2202/122; A61L 2202/10;
A61L 2202/11; A61L 2202/14; A61L
2202/23; A61L 2202/24; A61L 2202/182;
C02F 1/32; C02F 1/325; A61H 15/00;
A61H 15/0007; A61H 2015/0042; A63B
43/06

See application file for complete search history.

(56) **References Cited**

U.S. PATENT DOCUMENTS

D140,141 S * 1/1945 Glatthar et al. D24/217
D250,543 S * 12/1978 Lewis D24/217
4,896,042 A * 1/1990 Humphreys A61L 2/10
250/435
5,920,075 A * 7/1999 Whitehead A61L 2/10
250/492.1

FOREIGN PATENT DOCUMENTS

EM 001417042-0001 7/2014
EM 001417042-0002 7/2014

(Continued)

Primary Examiner — Barbara Fox

Assistant Examiner — Mary Shannon Malley

(74) *Attorney, Agent, or Firm* — Cooper Legal Group,
LLC; Ronald M. Kachmarik

(57) **CLAIM**

The ornamental design for a sterilization apparatus, as shown and described.

DESCRIPTION

FIG. 1 is a perspective view of the sterilization apparatus, with the arm in a first position, showing the new design; FIG. 2 is a top view thereof, with the arm shown in a second position;

FIG. 3 is a bottom view thereof;

FIG. 4 is a front side view thereof;

FIG. 5 is a back side view thereof;

FIG. 6 is a right view thereof;

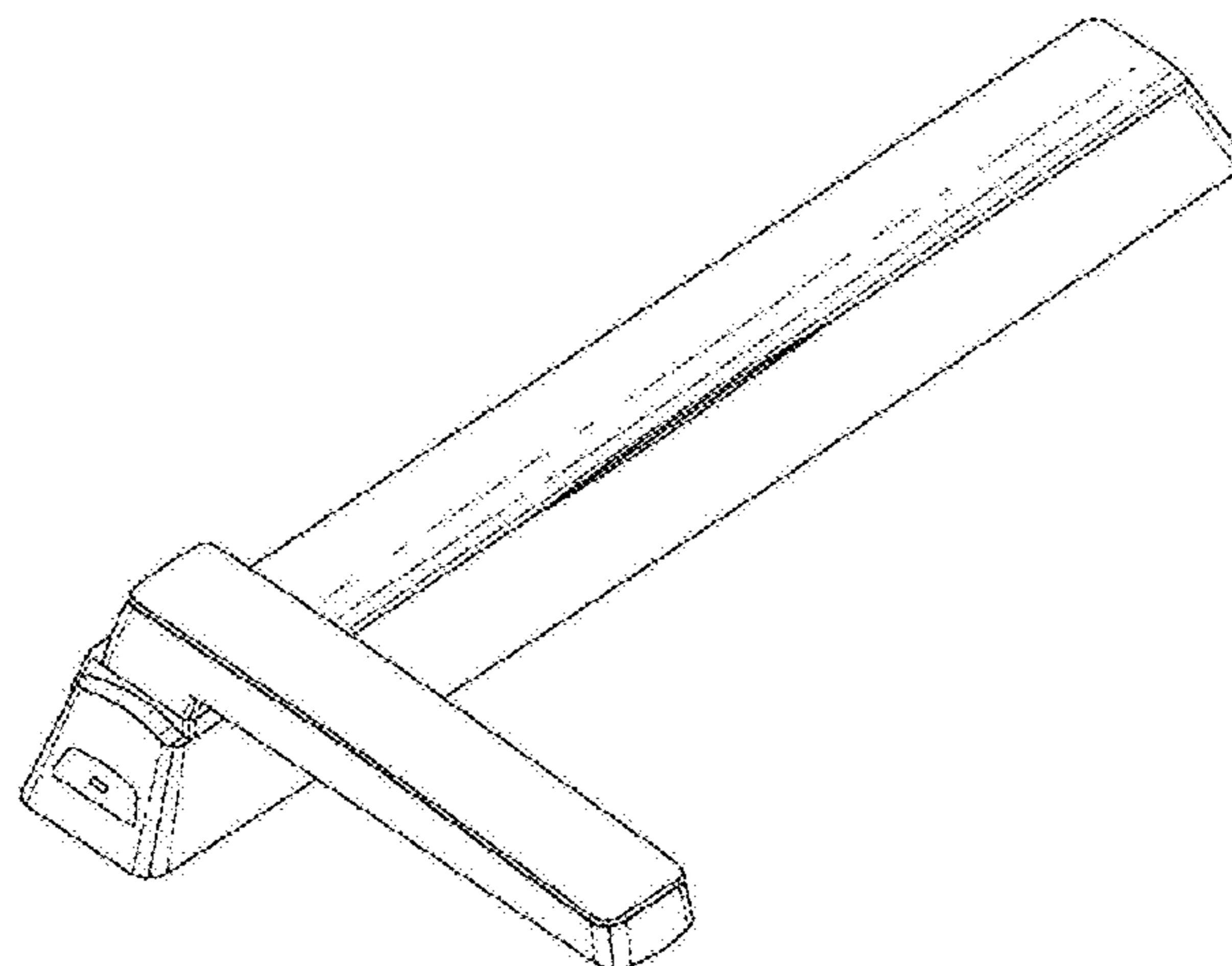
FIG. 7 is a left view thereof;

FIG. 8 is another perspective view of FIG. 1; and,

FIG. 9 is another perspective view, with the arm shown in a third position.

The broken lines depict portions of the sterilization apparatus that form no part of the claimed design.

1 Claim, 9 Drawing Sheets



(56)

References Cited

U.S. PATENT DOCUMENTS

D841,180 S * 2/2019 Latchman-Bloom D24/217
D847,966 S * 5/2019 Baldessari D23/366
2014/0001374 A1* 1/2014 Ullman A61L 2/088
250/428

FOREIGN PATENT DOCUMENTS

EM 001417042-0003 7/2014
EM 001417042-0004 7/2014

* cited by examiner

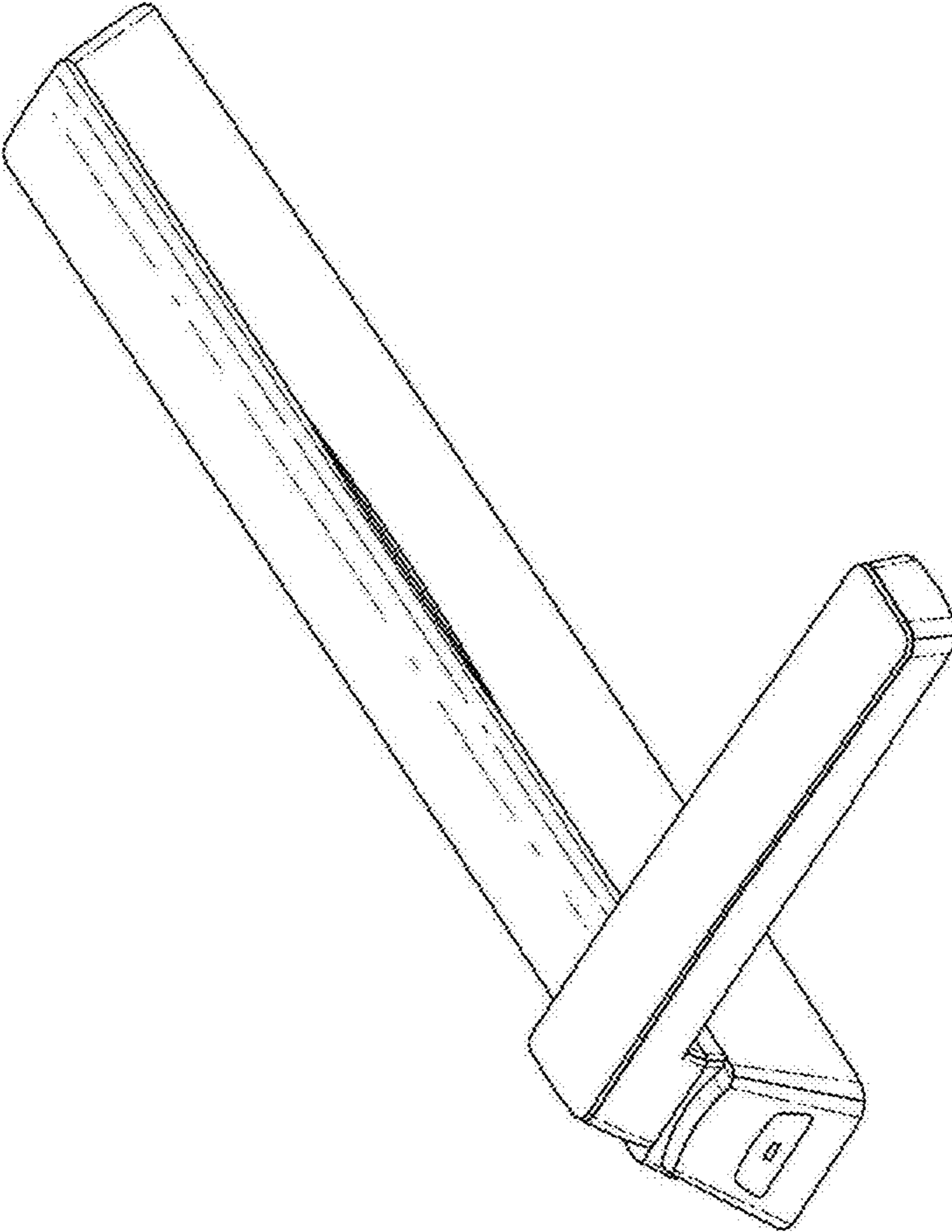


FIG. 1

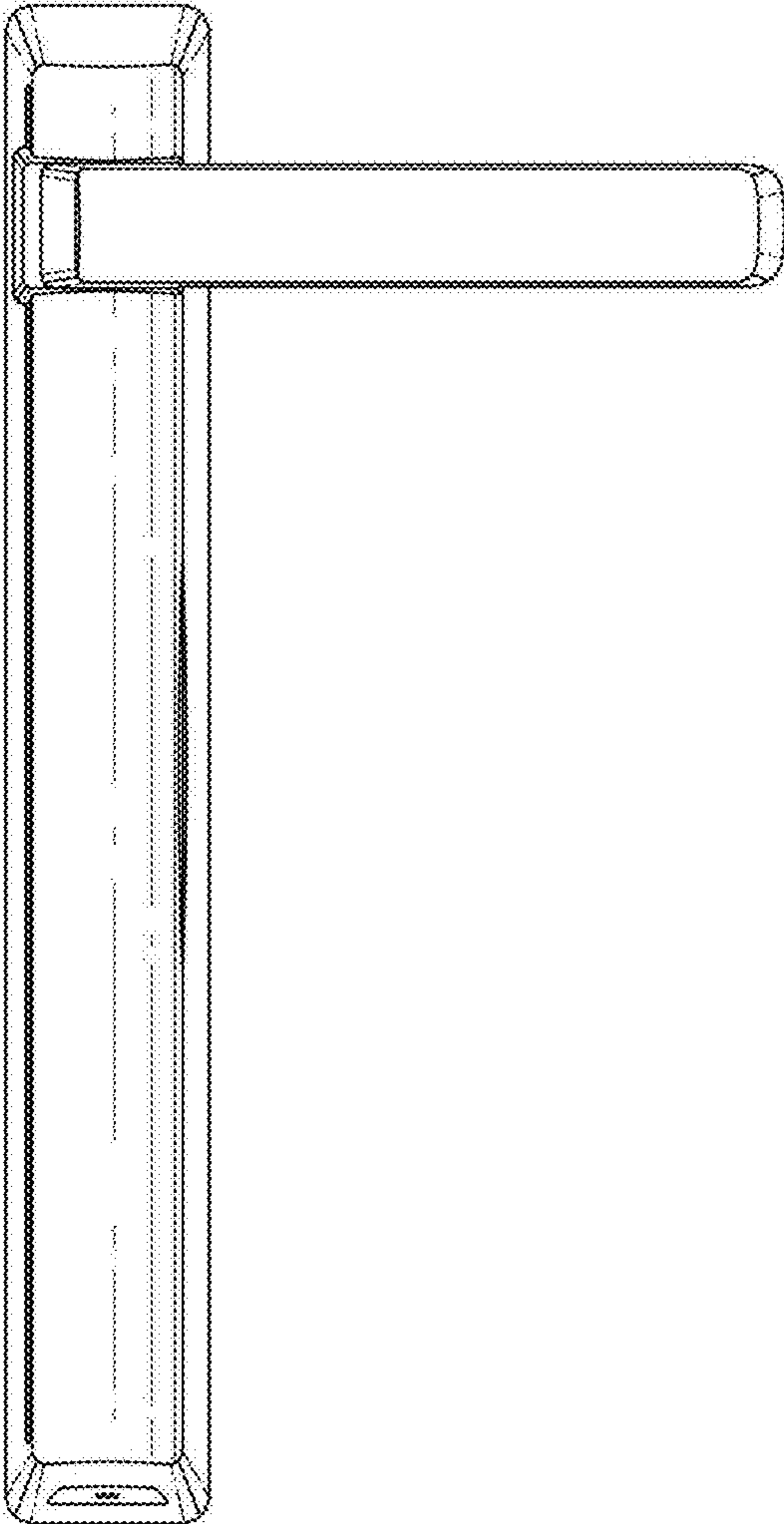


FIG. 2

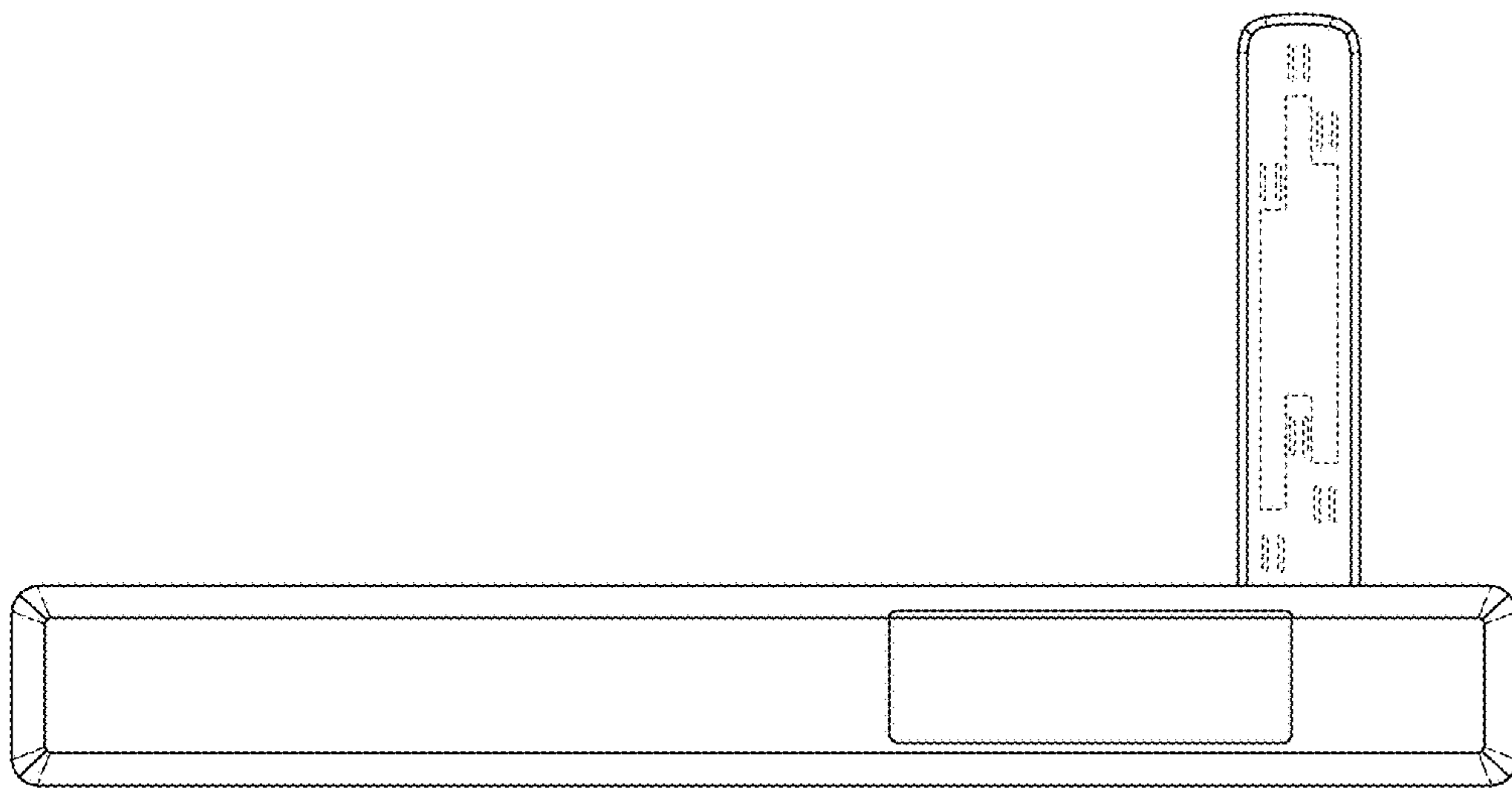


FIG. 3

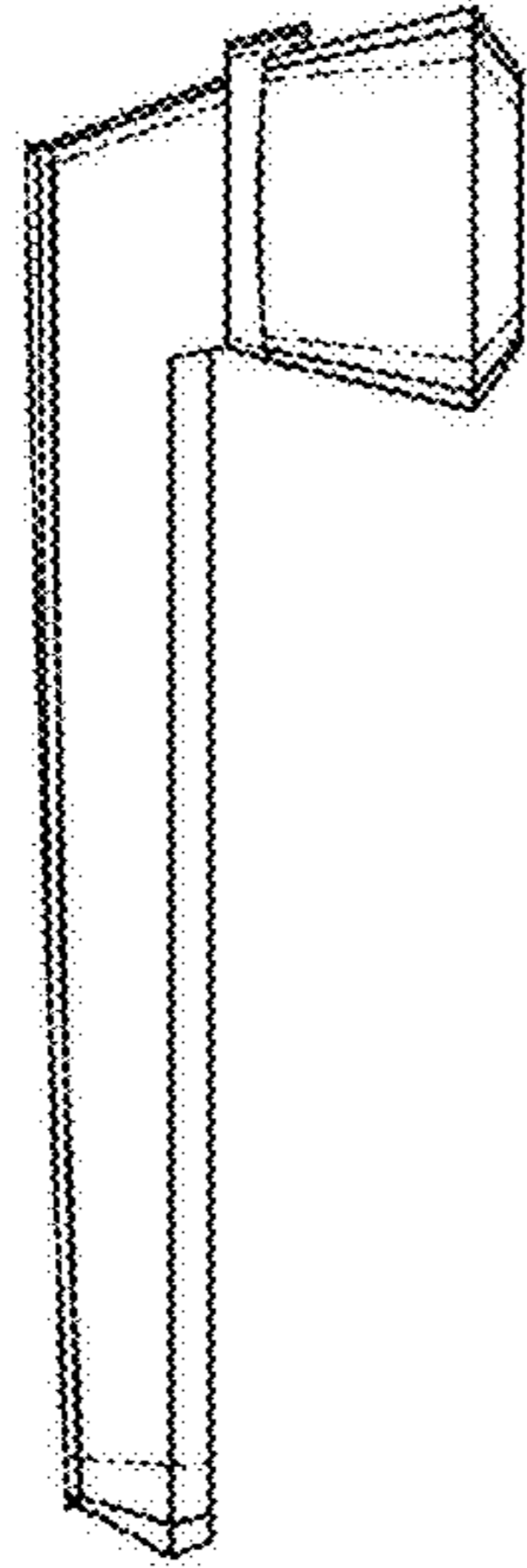


FIG. 4

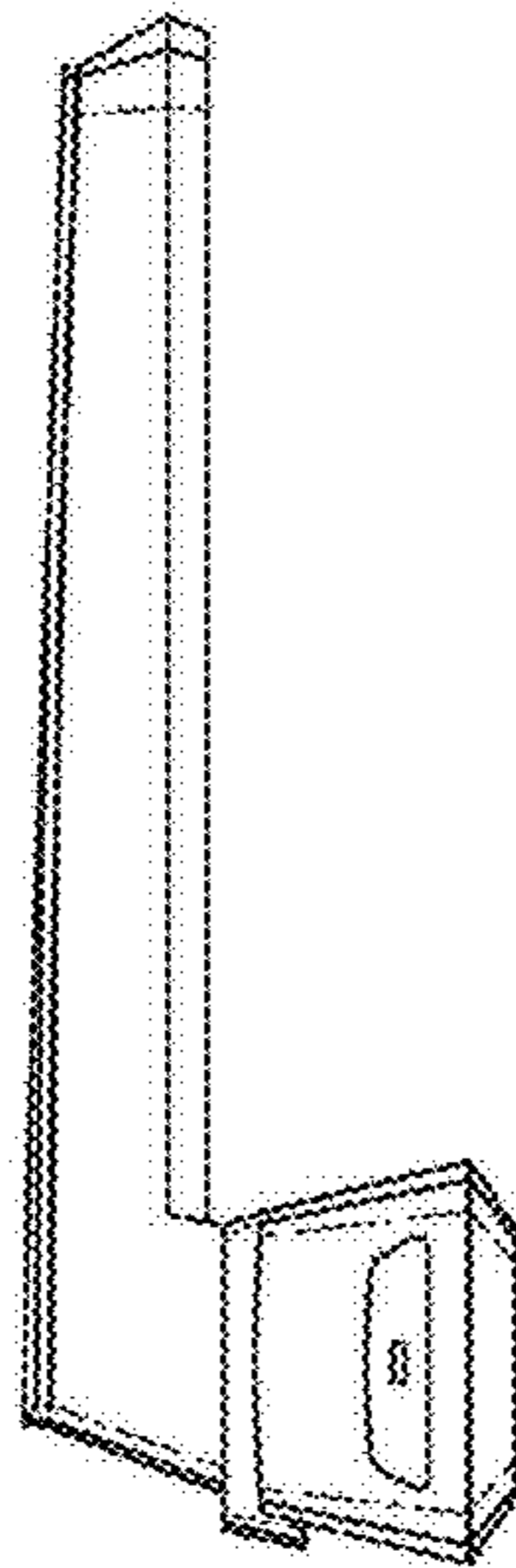


FIG. 5

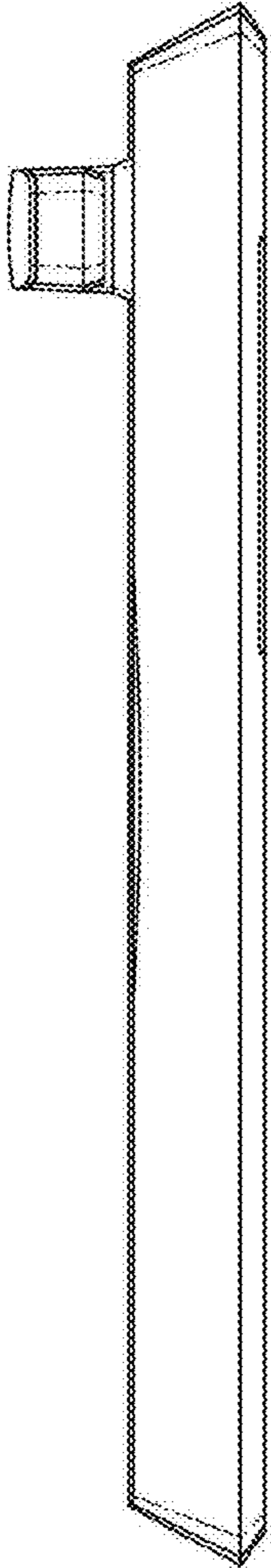


FIG. 6

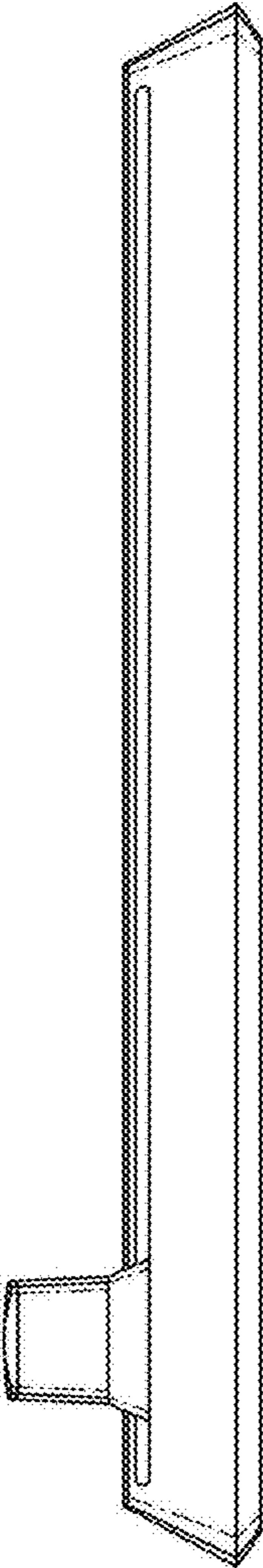


FIG. 7

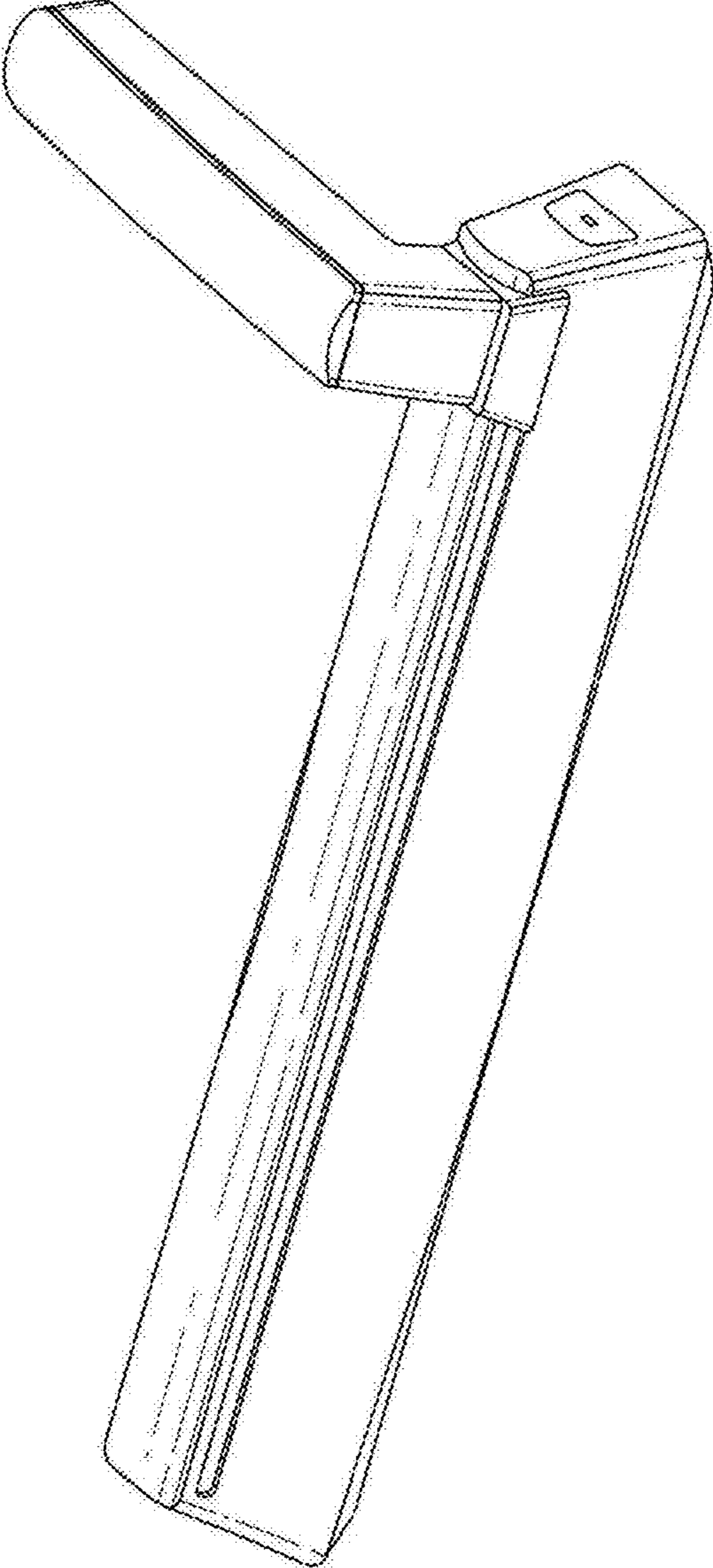


FIG. 8

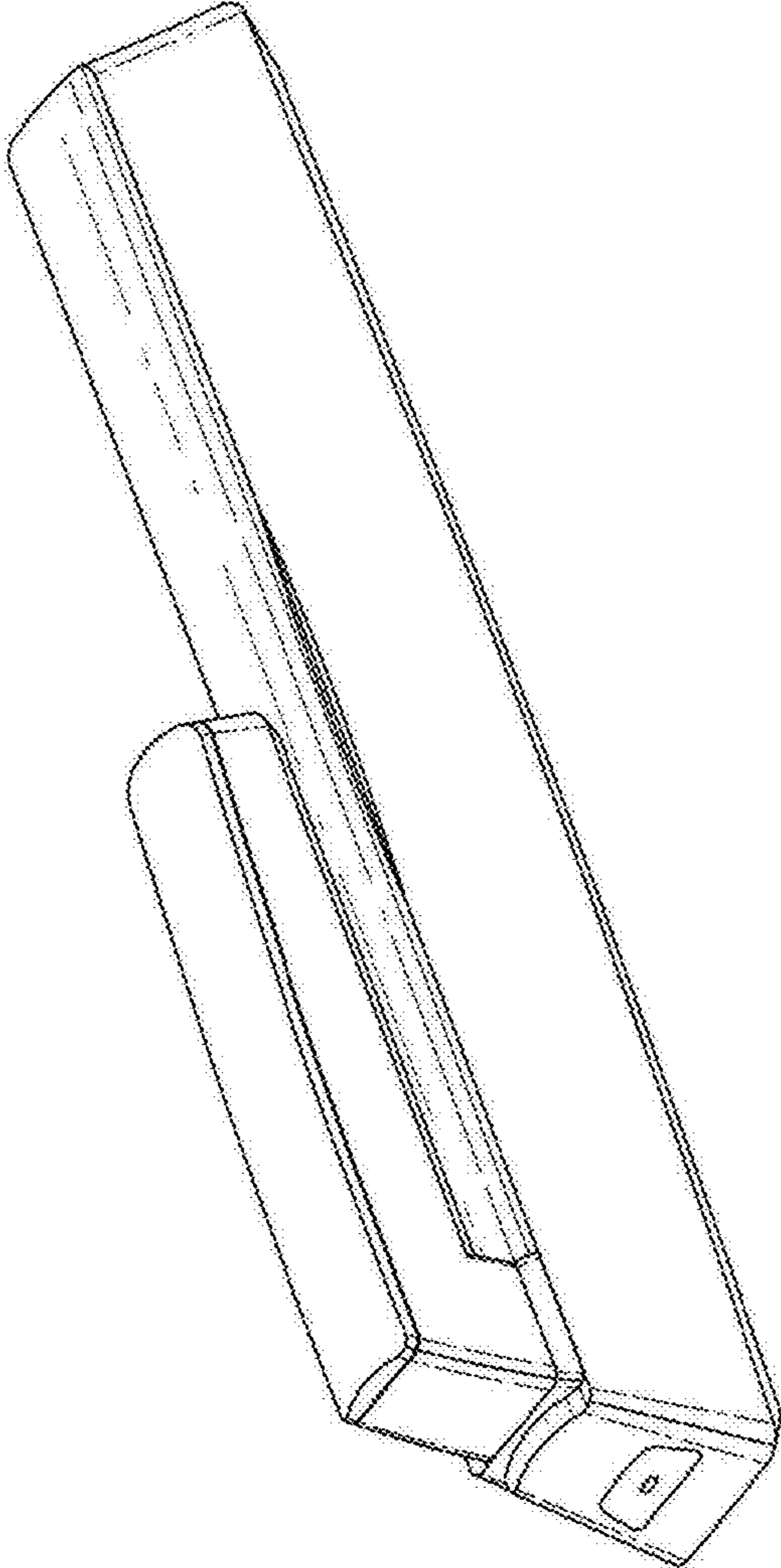


FIG. 9