



US00D866790S

(12) **United States Design Patent** (10) **Patent No.:** **US D866,790 S**
Lee et al. (45) **Date of Patent:** **** Nov. 12, 2019**

(54) **MASSAGE APPLIANCE**

FOREIGN PATENT DOCUMENTS

(71) Applicant: **Pado, Inc.**, Valencia, CA (US)

CI D 170541 5/2017
CN 2297192 Y 11/1998

(72) Inventors: **Steven Lee**, Valencia, CA (US);
Alejandro Garfio, Mission Viejo, CA (US); **Travis Frye**, Burbank, CA (US)

(Continued)

(73) Assignee: **Pado, Inc.**, Valencia, CA (US)

OTHER PUBLICATIONS

(**) Term: **15 Years**

TIMTAM Power Massager V1.5, retrieved from <https://tamtam.tech/products/tamtam-power-massager-v1-5> approximately Aug. 31, 2018.

(21) Appl. No.: **29/672,599**

(Continued)

(22) Filed: **Dec. 6, 2018**

Primary Examiner — Rhea Shields

(74) *Attorney, Agent, or Firm* — Intellectual Property Law Offices of Joel Voelzke, APC

Related U.S. Application Data

(57) **CLAIM**

The ornamental design for a massage appliance, as shown and described.

(62) Division of application No. 29/663,757, filed on Sep. 18, 2018, now Pat. No. Des. 847,364.

DESCRIPTION

(51) **LOC (12) Cl.** **28-03**

FIG. 1 is an oblique view a massage appliance showing our new design;

(52) **U.S. Cl.**
USPC **D24/215**

FIG. 2 is a side elevation view thereof showing the front side thereof;

(58) **Field of Classification Search**
USPC D24/215, 211, 214, 141, 212, 104, 190;
D21/662; D4/114

FIG. 3 is side elevation view thereof, showing the back side thereof;

CPC A61H 15/0092; A61H 15/00; A63B
21/0004; A45D 44/22

FIG. 4 is a side elevation view thereof, showing the left side thereof;

See application file for complete search history.

FIG. 5 is side elevation view thereof, showing the right side thereof;

(56) **References Cited**

FIG. 6 is a top plan view thereof; and,

FIG. 7 is a bottom plan view thereof.

U.S. PATENT DOCUMENTS

The dash-dash-dash-dash type broken lines shown in the drawing are included for the purpose of illustrating environmental structure, and form no part of the claimed design.

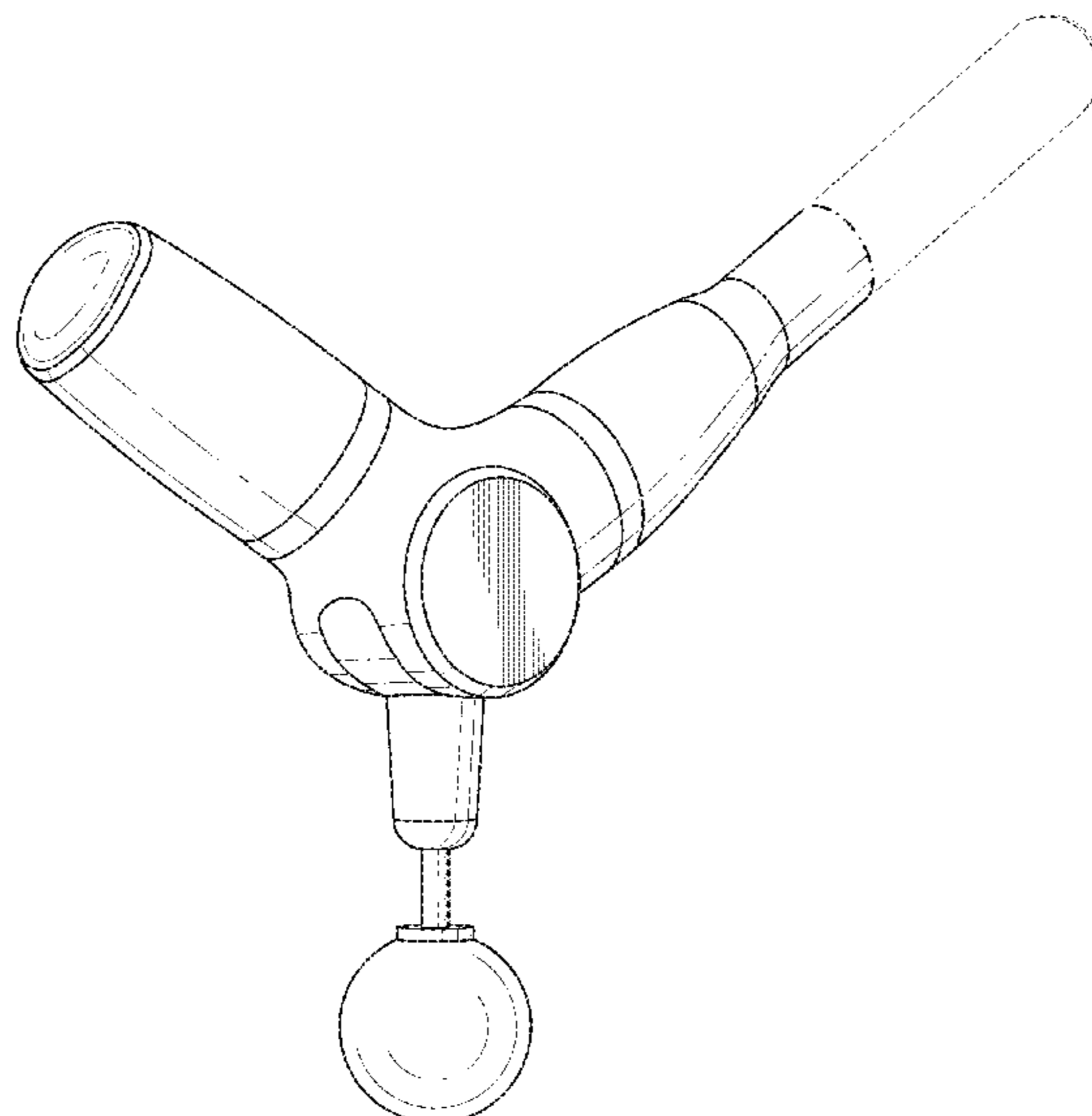
D222,570 S 11/1971 Rowley et al.
D301,617 S 6/1989 Yonesawa et al.
D373,197 S 8/1996 Schepper
D385,965 S * 11/1997 Wallesen D24/212
D388,175 S 12/1997 Lie
D407,498 S 3/1999 Cooper

The dot-dash-dot-dash type broken lines shown in the drawings define the boundaries of the claimed design.

Shading lines are to show contours rather than surface ornamentation.

(Continued)

1 Claim, 5 Drawing Sheets



(56)

References Cited

U.S. PATENT DOCUMENTS

6,102,876 A * 8/2000 Winger A61H 15/0092
601/107
D447,810 S * 9/2001 Hannah D24/214
D456,909 S * 5/2002 Szabo
D469,879 S * 2/2003 Chen D24/211
D484,248 S * 12/2003 O'Brien
D484,608 S * 12/2003 Tinsley D24/214
D510,139 S * 9/2005 Gilad D24/104
6,979,285 B2 * 12/2005 Lovison A63B 21/0004
482/132
D530,020 S * 10/2006 Cooper
D532,113 S * 11/2006 Huang D24/214
D627,897 S * 11/2010 Yde et al.
D639,442 S * 6/2011 Chandler A45D 44/22
D24/190
D649,657 S * 11/2011 Petersen et al.
D655,919 S * 3/2012 Daley D4/114
D656,621 S * 3/2012 Matsushita D24/215
D657,065 S * 4/2012 Matsushita
D657,831 S * 4/2012 Kurpat D21/662
D666,734 S * 9/2012 Takashima D24/215
D673,284 S * 12/2012 Lowsky D24/214
D674,500 S * 1/2013 Matsushita D24/211
D695,413 S * 12/2013 Grust D24/214
D698,935 S * 2/2014 Larson D24/215
D708,755 S * 7/2014 Kim
D725,788 S * 3/2015 Matsushita D24/211
D728,115 S * 4/2015 Matsushita D24/211
D754,868 S * 4/2016 Hendrickson D24/211
D761,429 S * 7/2016 Sedic D24/141
D818,599 S * 5/2018 Lee
D820,466 S * 6/2018 Matsushita D24/215
D826,418 S * 8/2018 Lad D24/215
10,206,848 B2 * 2/2019 Matsushita A61H 15/00
D842,487 S * 3/2019 Matsushita D24/211

D847,364 S * 4/2019 Lee D24/215
D857,907 S * 8/2019 Luo D24/211
D857,908 S * 8/2019 Matsushita D24/211
D857,909 S * 8/2019 Matsushita D24/211
2004/0254507 A1 12/2004 Off
2006/0155220 A1 7/2006 Oslay
2017/0326021 A1 11/2017 Matsushita

FOREIGN PATENT DOCUMENTS

CN 203710331 U 7/2014
DE 3822394 A1 1/1990
EM 002384149 1/2014
EM 005542016 8/2018
ID D 0000003563 5/2003
MY 14000590202 9/2014

OTHER PUBLICATIONS

Back Muscle Pain Massger Wooden Stick T-Shaped Cross Wood Body Therapy Spa, retrieved from eBay.com approximately Aug. 31, 2018.
Wahl Deep-Tissue Percussion Therapy Massager, retrieved from <https://wahlusa.com/products/deep-tissue-4290-300> approximately Aug. 31, 2018.
Zyllion ZMA-16 Handheld Therapeutic Percussion Massager With Heat, retrieved as an archived version from Amazon.com dated Apr. 10, 2016.
Point Relief Manual Massager, retrieved from <https://www.fab-ent.com/massage/manual-massagers/point-relief-manual-massager/> approximately Aug. 3, 2018.
Y Shape Solar Energy Beauty Bar/Body Massage Roller, retrieved from <http://worjaku.com/product/y-shape-solar-energy-beauty-bar-body-massage-roller/> approximately Aug. 3, 2018.

* cited by examiner

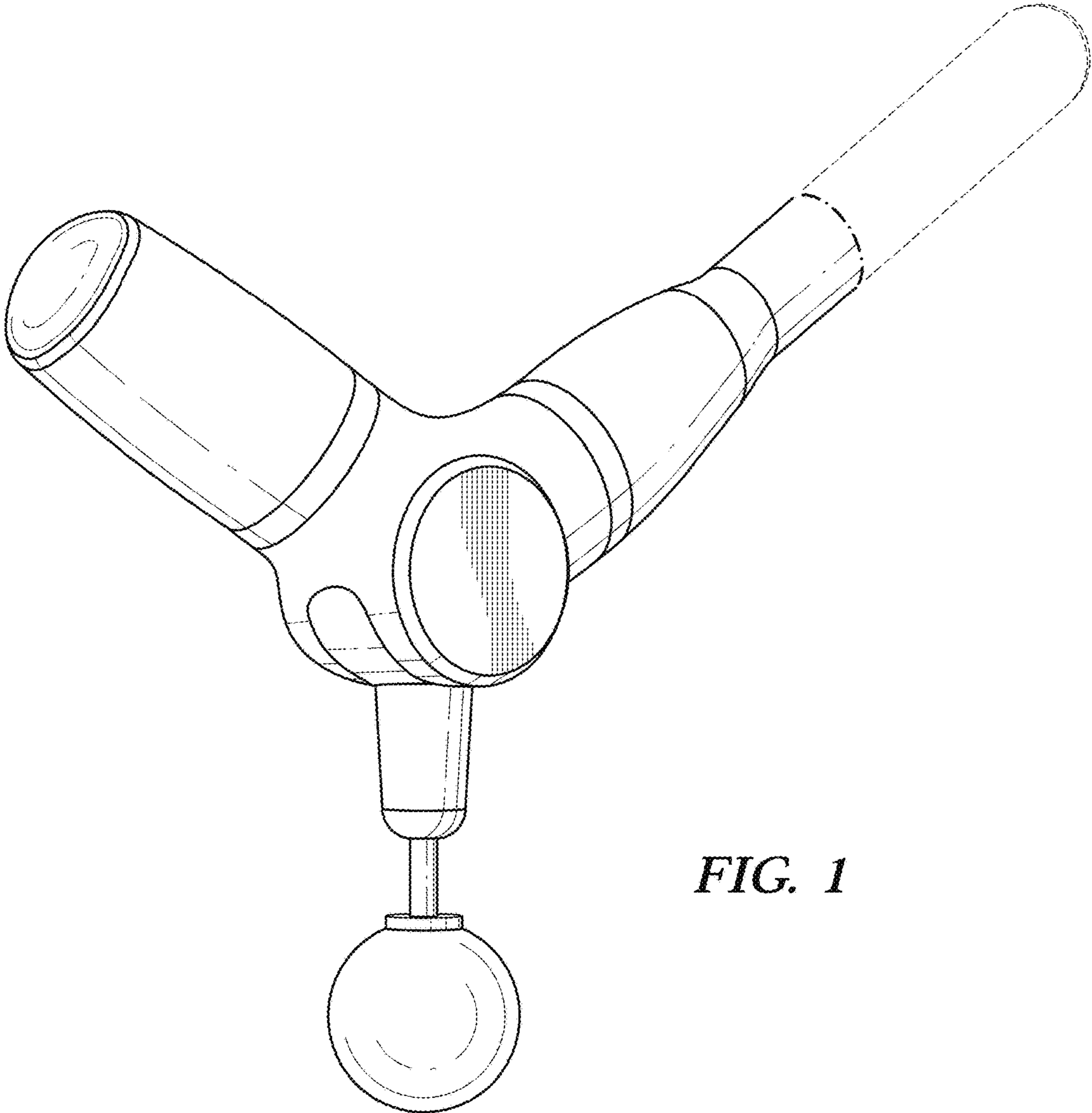


FIG. 1

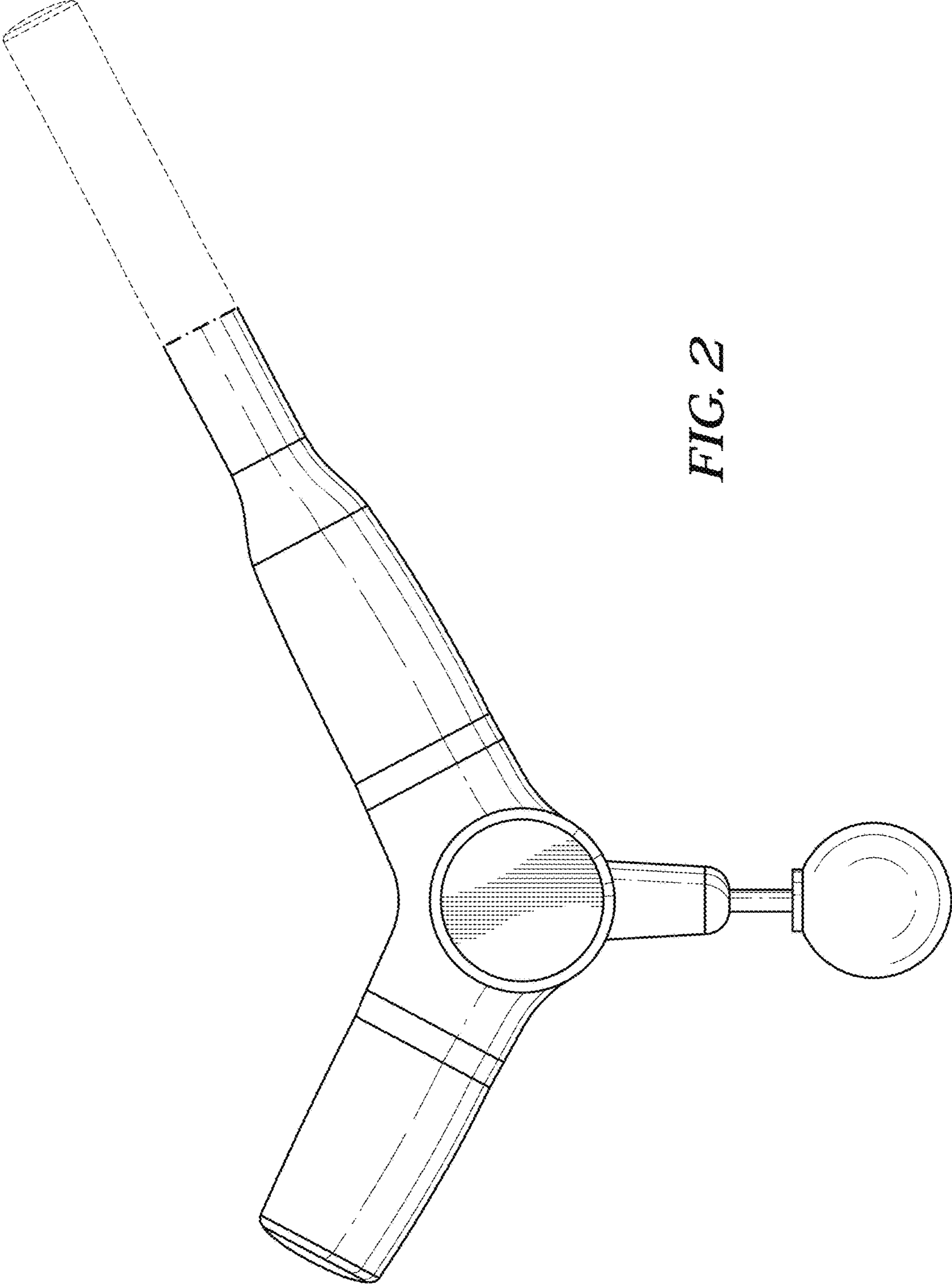


FIG. 2

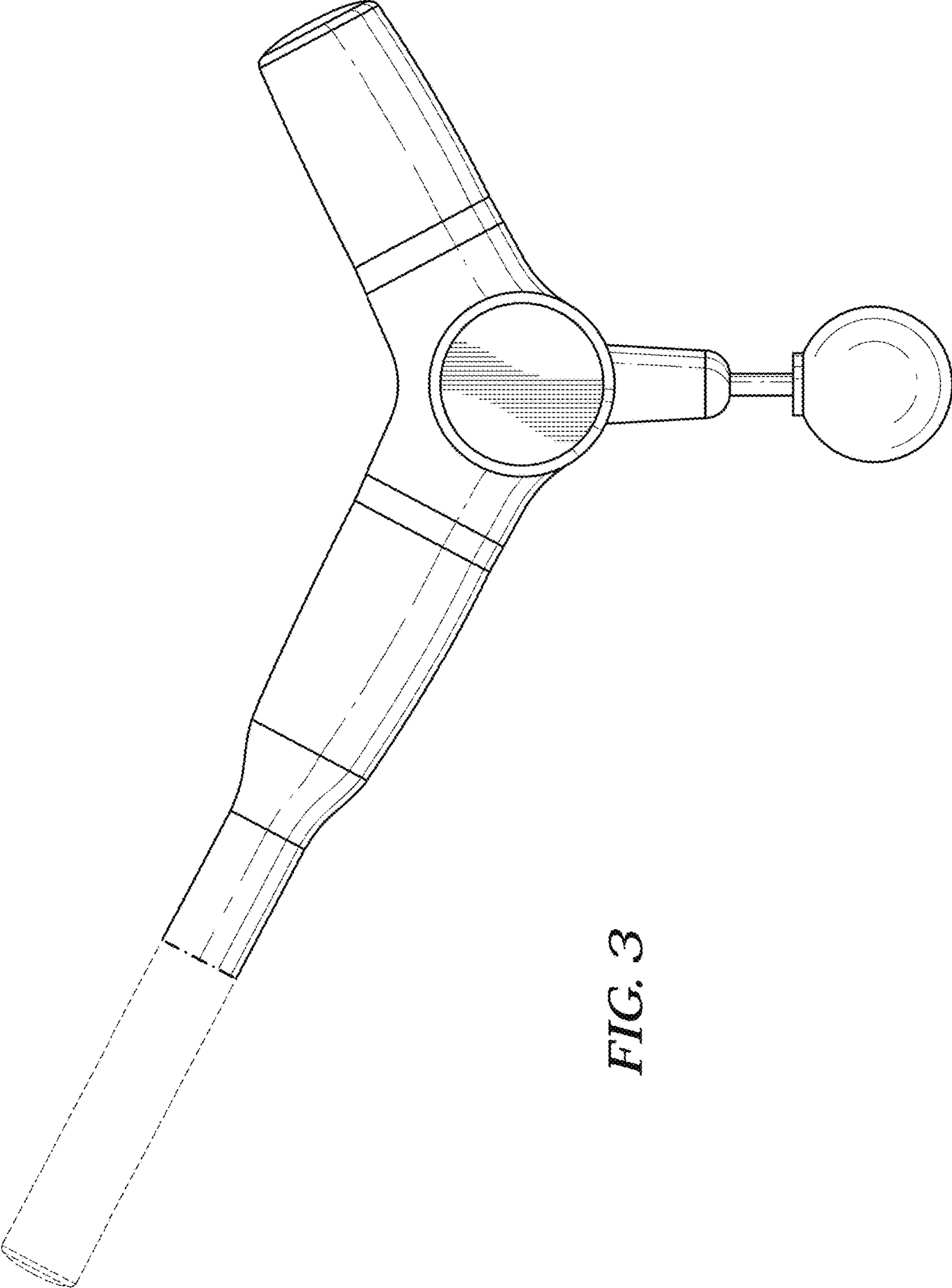


FIG. 3

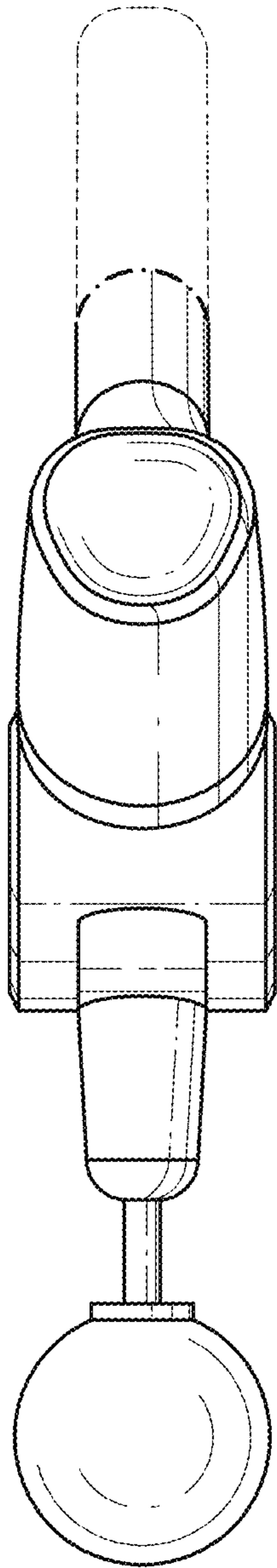


FIG. 4

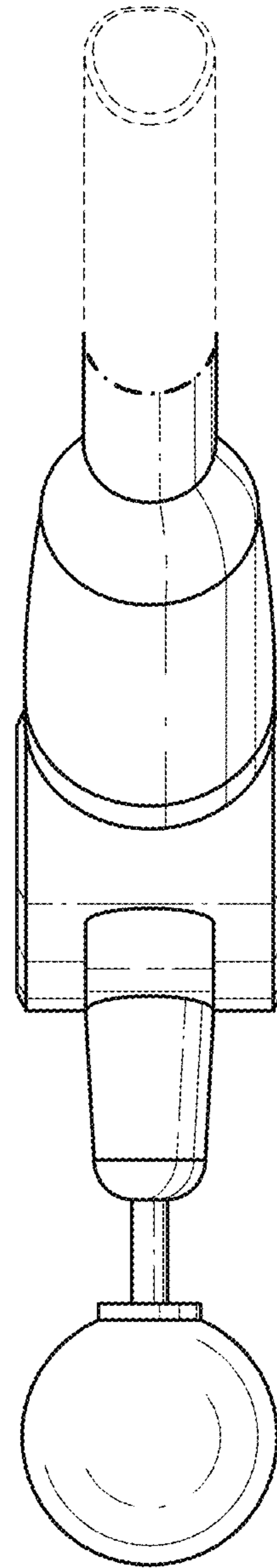


FIG. 5

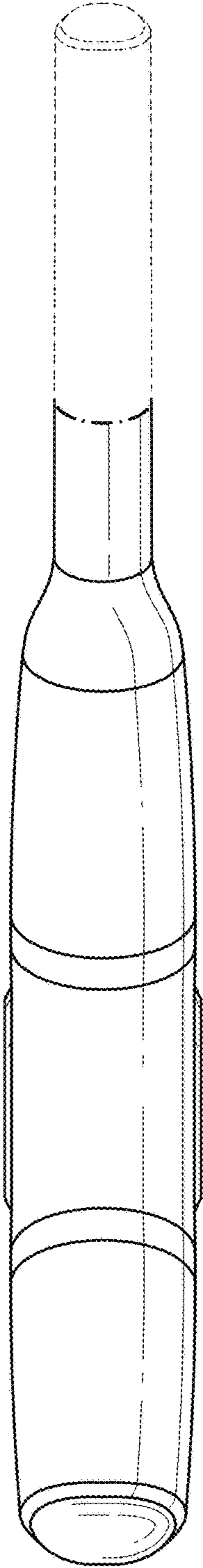


FIG. 6

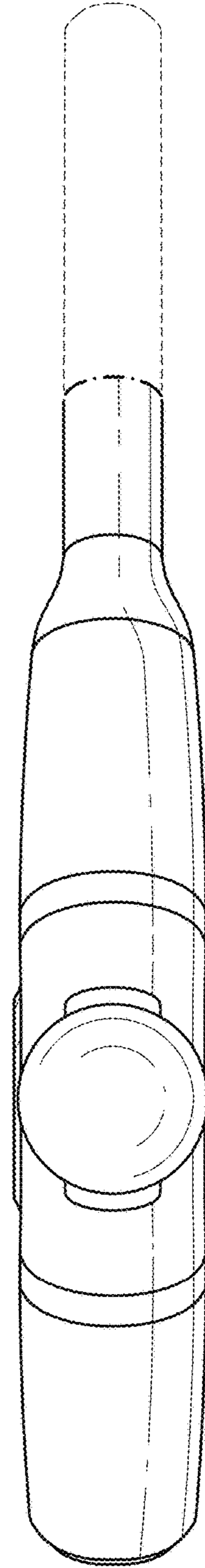


FIG. 7