

US00D866789S

(12) **United States Design Patent** (10) **Patent No.:** **US D866,789 S**  
**Yamazaki** (45) **Date of Patent:** **\*\* Nov. 12, 2019**

(54) **BEAUTY ROLLER**

(71) Applicant: **YA-MAN LTD.**, Tokyo (JP)

(72) Inventor: **Iwao Yamazaki**, Tokyo (JP)

(73) Assignee: **YA-MAN LTD.**, Tokyo (JP)

(\*\*) Term: **15 Years**

(21) Appl. No.: **29/659,313**

(22) Filed: **Aug. 8, 2018**

(30) **Foreign Application Priority Data**

Feb. 14, 2018 (JP) ..... 2018-003027

(51) **LOC (12) Cl.** ..... **28-03**

(52) **U.S. Cl.**  
USPC ..... **D24/215**

(58) **Field of Classification Search**  
USPC ..... 601/15, 18, 19, 46, 47, 48, 52, 99, 112,  
601/113, 118, 125, 129, 134, 135, 137,  
601/DIG. 12, DIG. 14, DIG. 15, DIG. 16,  
601/DIG. 17; D24/133, 200, 211, 212,  
D24/213, 214, 215; 600/38, 39, 40, 41;  
D28/58

CPC ..... A61H 2201/0153; A61H 23/02; A61H  
7/007; A61H 39/04; A61H 23/00

See application file for complete search history.

(56) **References Cited**

**U.S. PATENT DOCUMENTS**

D666,304 S \* 8/2012 Matsushita ..... D24/215  
D669,998 S \* 10/2012 Matsushita ..... D24/215  
D725,788 S \* 3/2015 Matsushita ..... D24/211  
D728,115 S \* 4/2015 Matsushita ..... D24/211  
D820,466 S \* 6/2018 Matsushita ..... D24/215

D844,797 S \* 4/2019 Matsushita ..... D24/211  
2014/0288473 A1 \* 9/2014 Matsushita ..... A61H 15/00  
601/137  
2018/0116903 A1 \* 5/2018 Matsushita ..... A61H 15/00  
2019/0008718 A1 \* 1/2019 Matsushita ..... A61H 15/0092

**OTHER PUBLICATIONS**

Amazon, "YA MAN 4D Drainage Beauty Roller", Aug. 13, 2019.  
[https://www.amazon.com/dp/B07RKR4VPQ/ref=nav\\_timeline\\_asin?encoding=UTF8&psc=1](https://www.amazon.com/dp/B07RKR4VPQ/ref=nav_timeline_asin?encoding=UTF8&psc=1). Shown on p. 1. (Year: 2019).\*

\* cited by examiner

*Primary Examiner* — Cynthia Ramirez

*Assistant Examiner* — Michael A Maharajh

(74) *Attorney, Agent, or Firm* — Andrew F. Young, Esq.;  
Lackebach Siegel, LLP

(57) **CLAIM**

The ornamental design for a beauty roller, as shown and described.

**DESCRIPTION**

FIG. 1 is a front top perspective view of a beauty roller showing my new design.

FIG. 2 is a rear top perspective view thereof.

FIG. 3 is a front bottom perspective view thereof.

FIG. 4 is a front elevation view thereof.

FIG. 5 is a rear elevation view thereof.

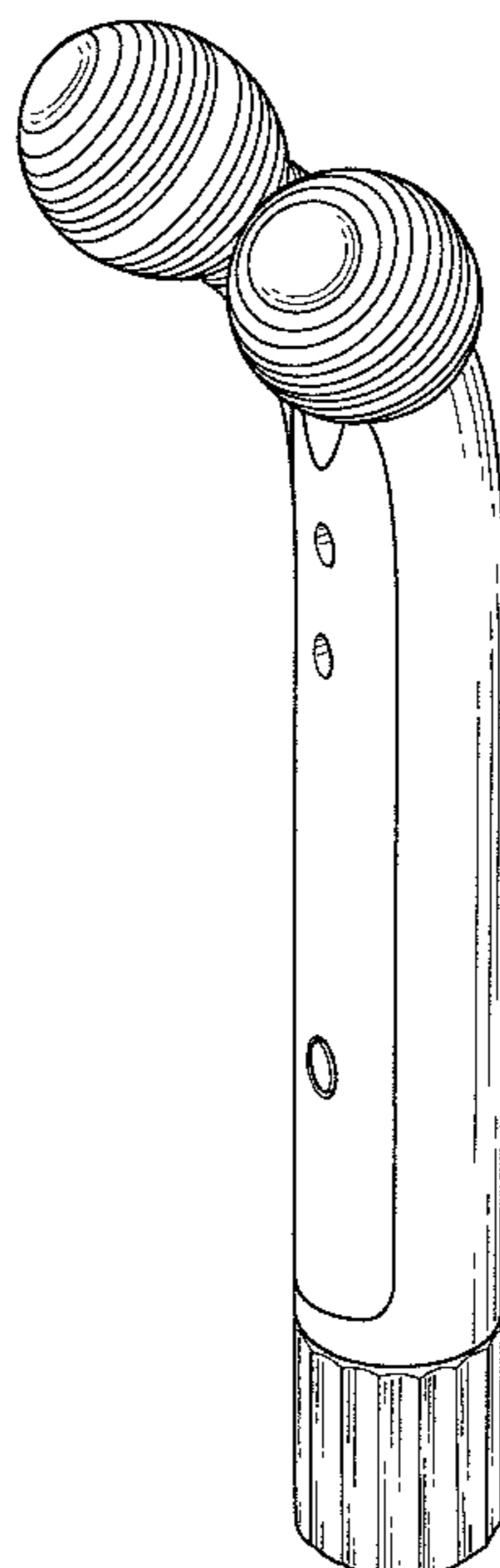
FIG. 6 is a left side elevation view thereof.

FIG. 7 is a right side elevation view thereof.

FIG. 8 is a top plan view thereof; and,

FIG. 9 is a bottom plan view thereof.

**1 Claim, 9 Drawing Sheets**



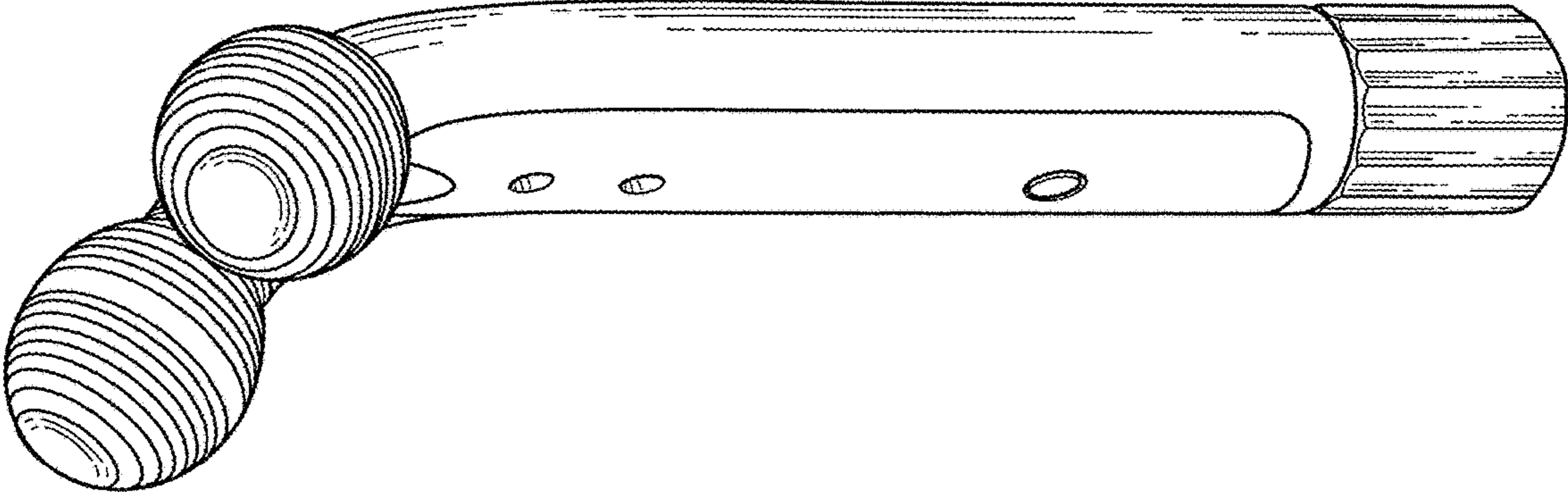


Fig. 1

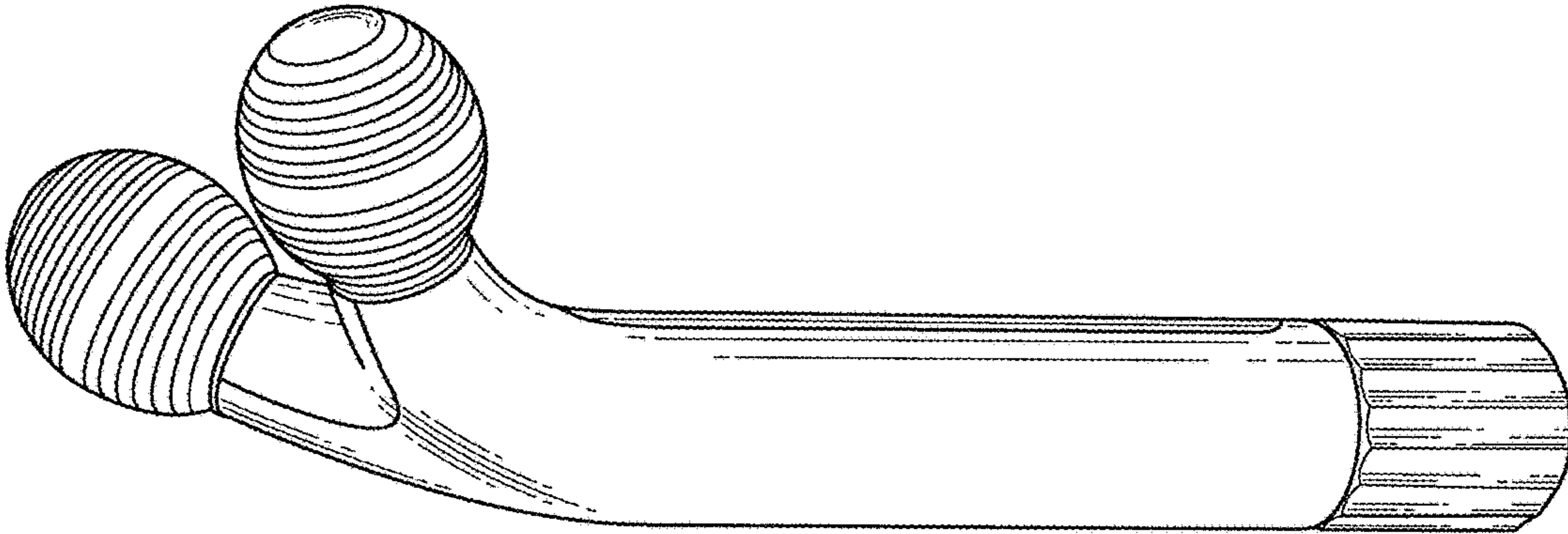


Fig.2

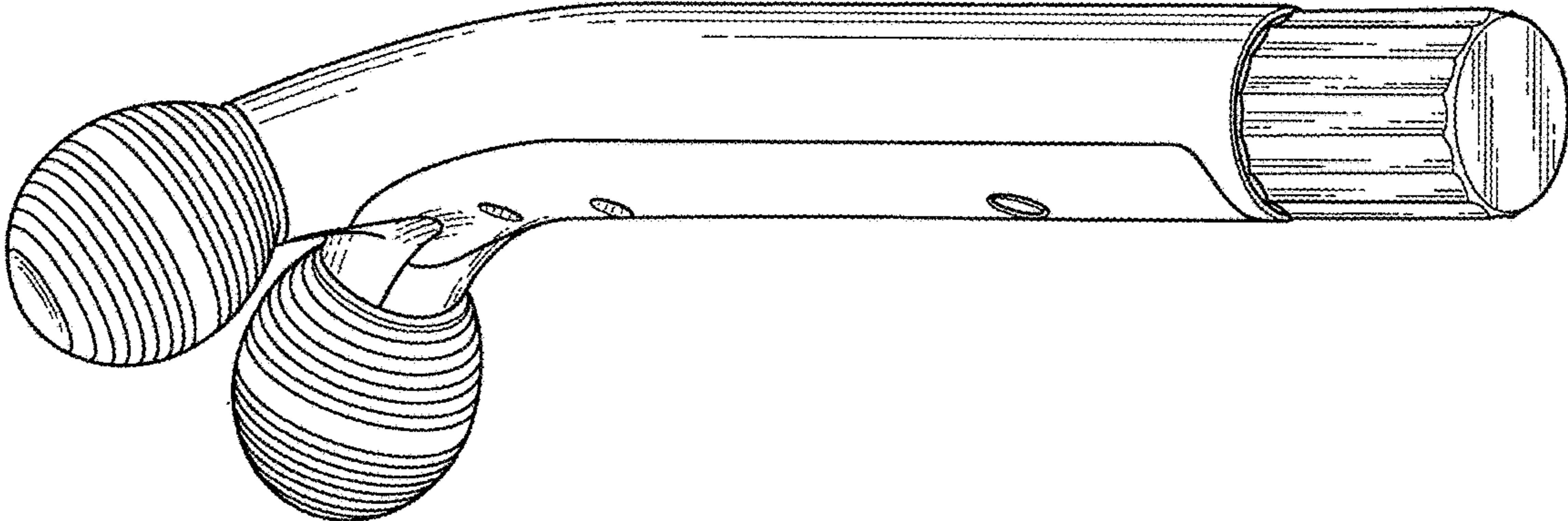


Fig. 3

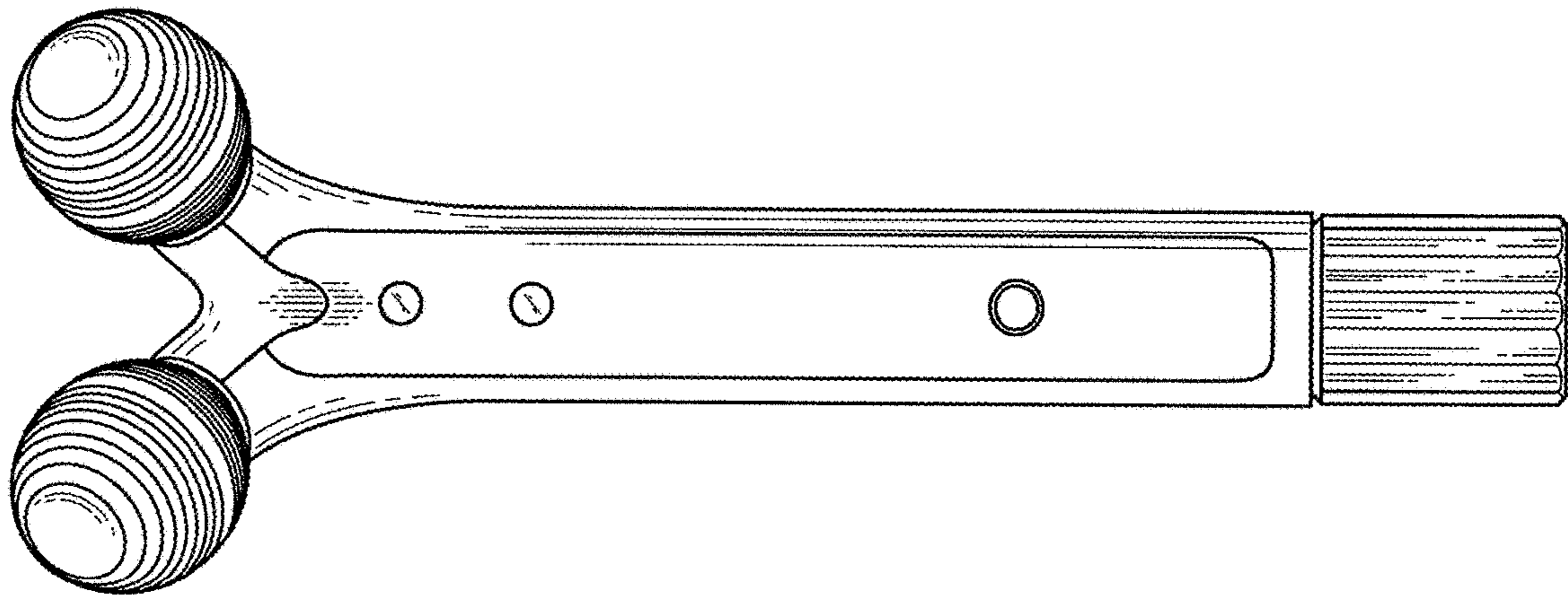


Fig.4

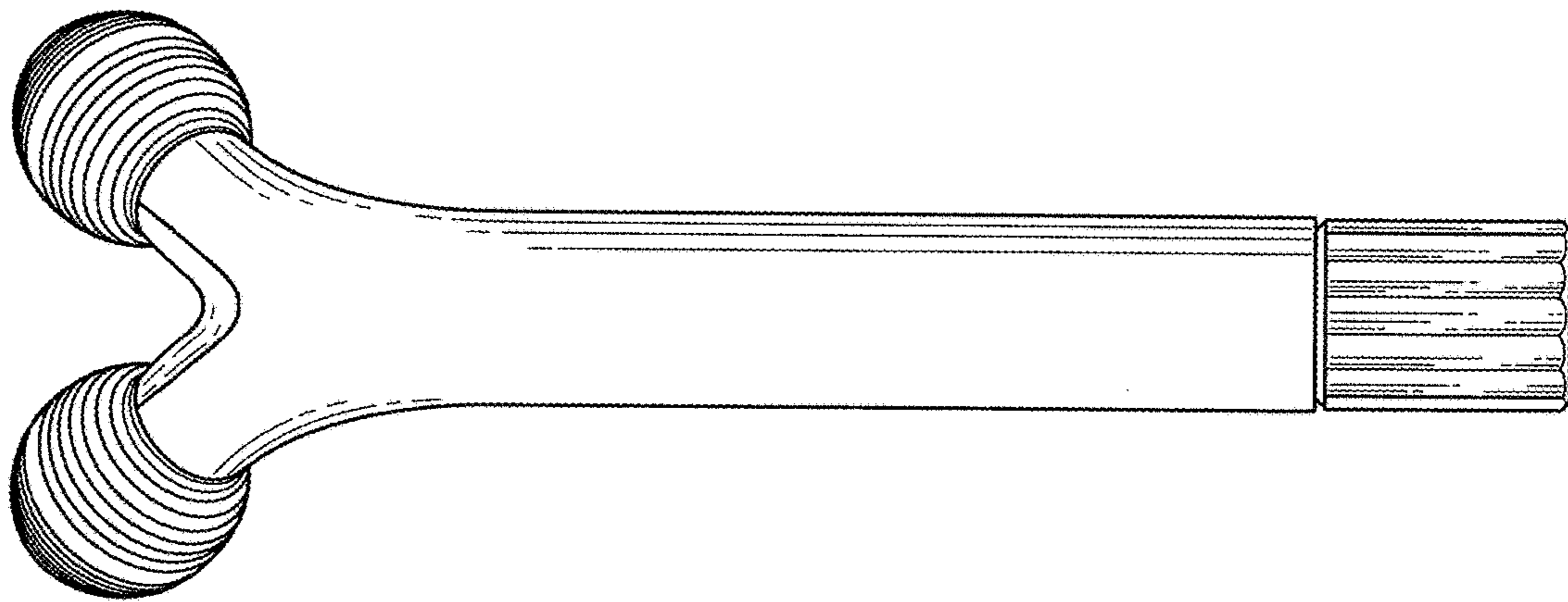


Fig.5

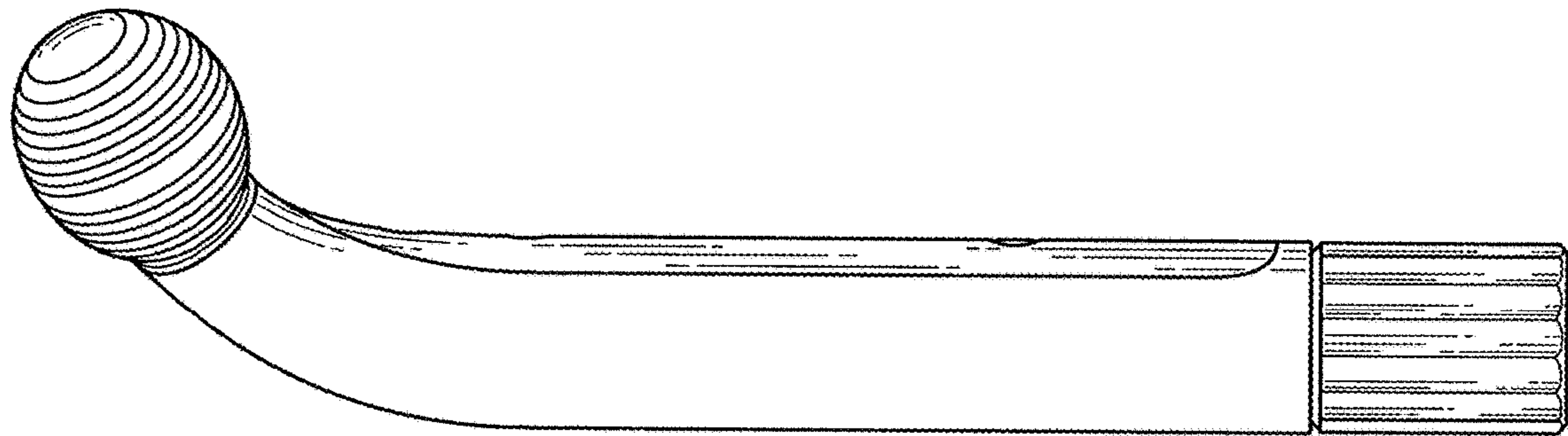


Fig.6

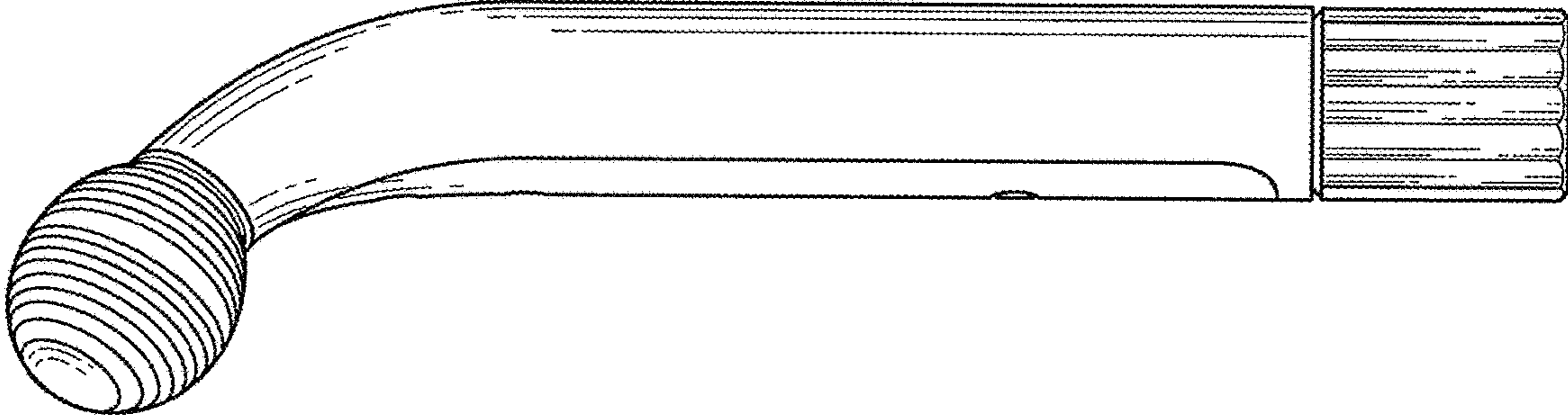


Fig. 7



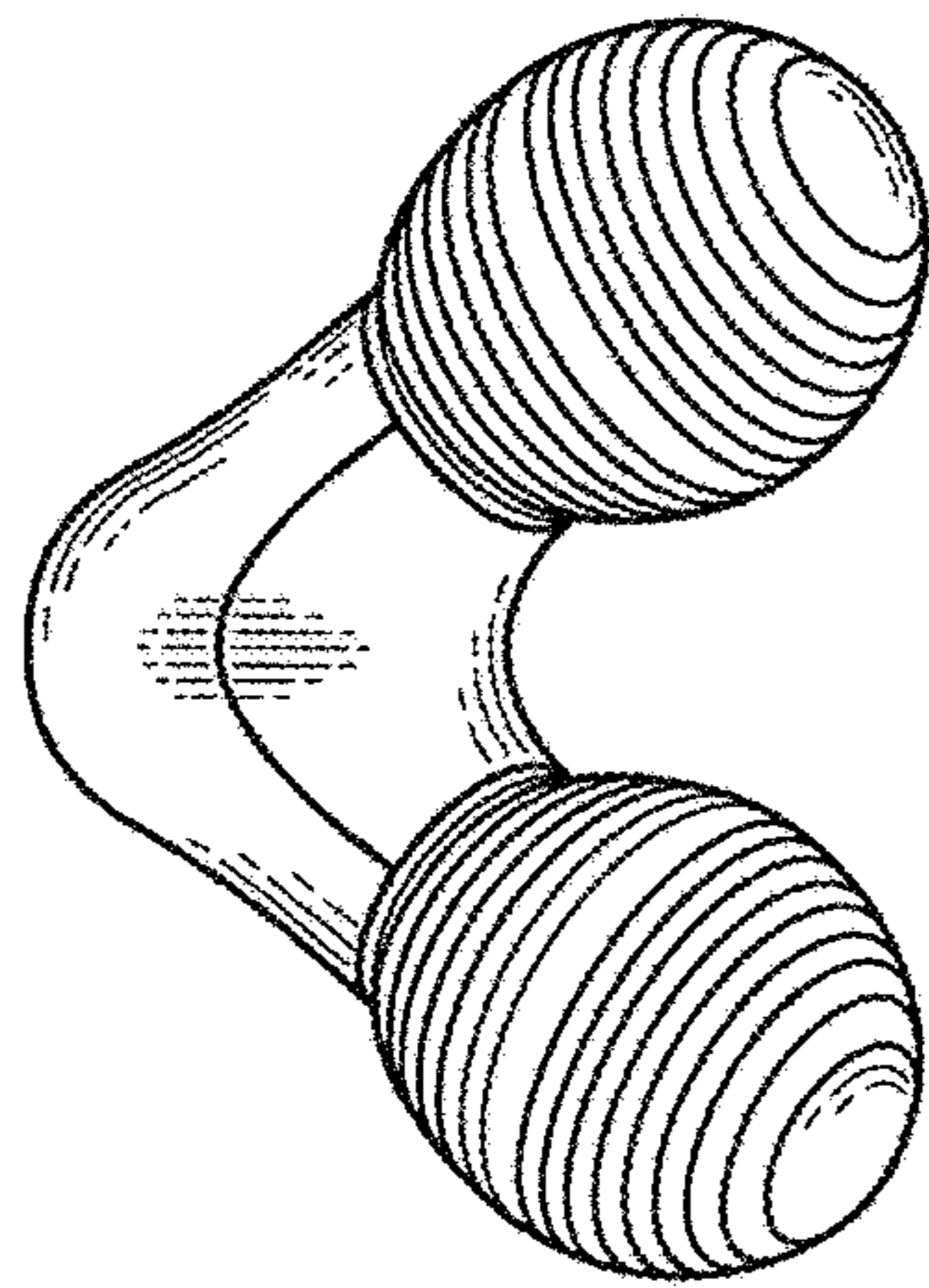


Fig.8

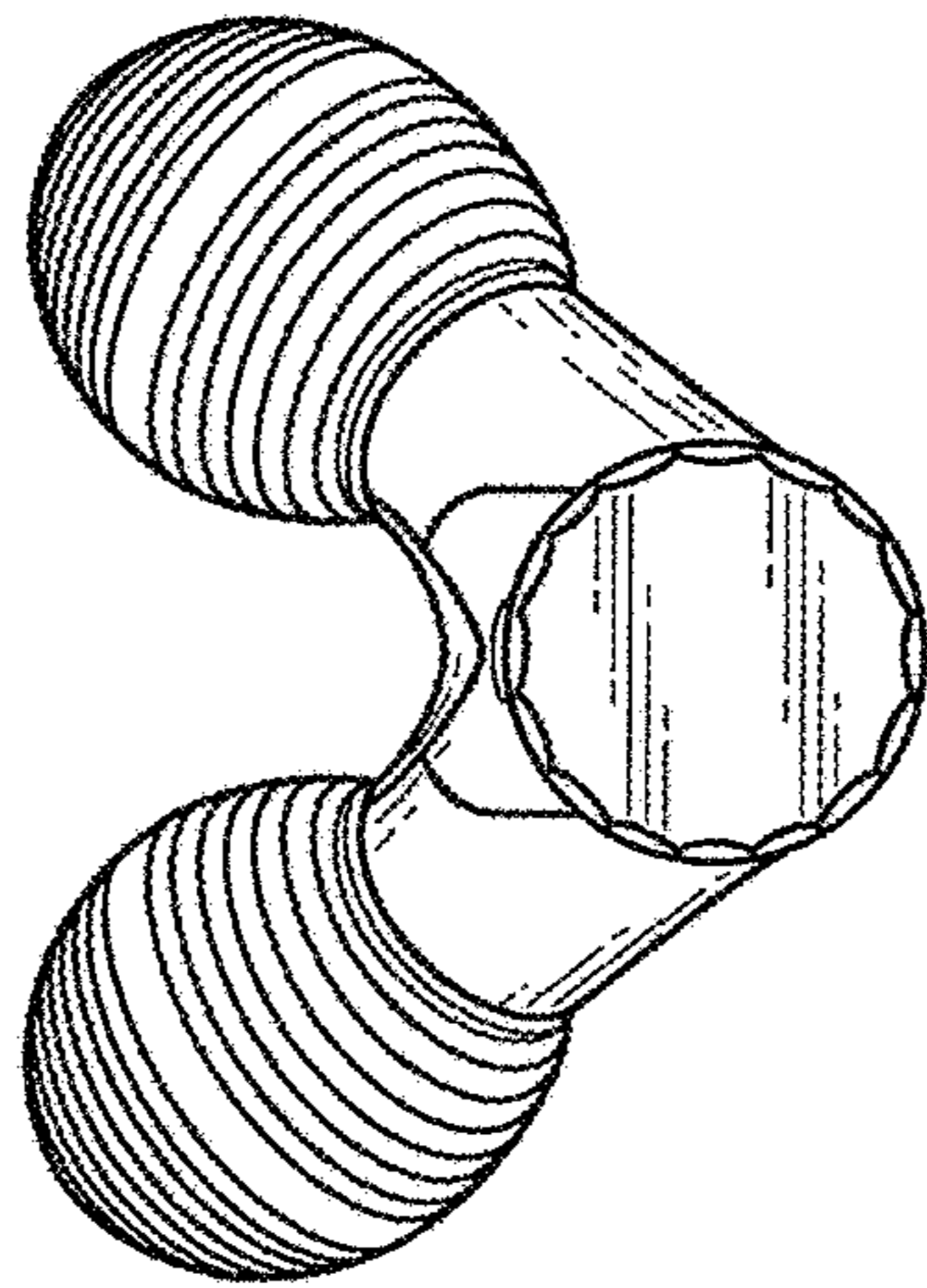


Fig.9