



US00D866787S

(12) **United States Design Patent**
Zhang

(10) **Patent No.:** **US D866,787 S**

(45) **Date of Patent:** **** Nov. 12, 2019**

(54) **LEG MASSAGER**
(71) Applicant: **Shenzhen Fit King Health Tech. Co., Ltd**, Shenzhen (CN)
(72) Inventor: **Hong Zhang**, Shenzhen (CN)
(73) Assignee: **Shenzhen Fit King Health Tech. Co., Ltd**, Shenzhen (CN)
(**) Term: **15 Years**

5,186,163 A * 2/1993 Dye A61H 9/0078
601/152
5,218,954 A * 6/1993 van Bemmelen A61H 9/0078
128/DIG. 20
D358,216 S * 5/1995 Dye D24/200
(Continued)

(21) Appl. No.: **29/653,317**
(22) Filed: **Jun. 14, 2018**
(51) **LOC (12) Cl.** **28-03**
(52) **U.S. Cl.**
USPC **D24/215**
(58) **Field of Classification Search**
USPC D24/200, 211, 212, 213, 214, 215;
601/19, 22, 46, 52, 63, 80, 99, 104,
601/110-114, 118-120, 125, 134, 151,
601/152, DIG. 12, DIG. 14, DIG. 15,
601/DIG. 16, DIG. 17
CPC A61H 1/00; A61H 1/001; A61H 1/0237;
A61H 2015/0007; A61H 2015/0014;
A61H 2015/0042; A61H 2015/0064;
A61H 15/00; A61H 2011/005; A61H
19/44; A61H 19/50; A61H 21/00; A61H
37/00
See application file for complete search history.

FOREIGN PATENT DOCUMENTS

EM 005317518-0001 6/2018
EM 005317518-0002 6/2018
EM 005317518-0005 6/2018

Primary Examiner — Sandra S Snapp

(57) **CLAIM**

The ornamental design for a leg massager, as shown and described.

DESCRIPTION

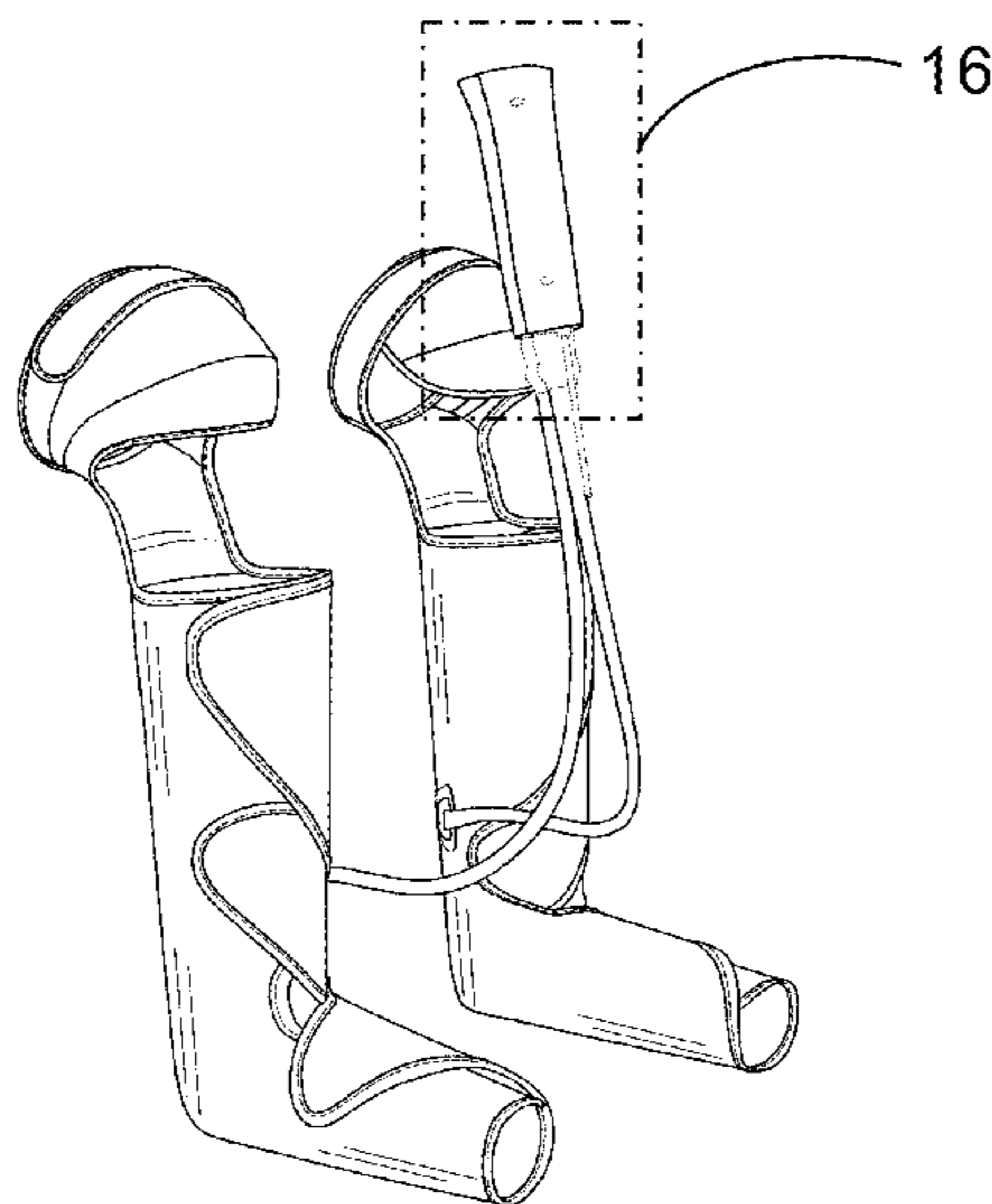
FIG. 1 is a front view of a leg massager;
FIG. 2 is a back view thereof;
FIG. 3 is a left side view thereof;
FIG. 4 is a right side view thereof;
FIG. 5 is a top plan view thereof;
FIG. 6 is a bottom plan view thereof;
FIG. 7 is a back, right side perspective view thereof;
FIG. 8 is a front, left perspective view thereof;
FIG. 9 is an enlarged view of portion 9 shown in FIG. 1;
FIG. 10 is an enlarged view of portion 10 shown in FIG. 2;
FIG. 11 is an enlarged view of portion 11 shown in FIG. 3;
FIG. 12 is an enlarged view of portion 12 shown in FIG. 4;
FIG. 13 is an enlarged view of portion 13 shown in FIG. 5;
FIG. 14 is an enlarged view of portion 14 shown in FIG. 6;
FIG. 15 is an enlarged view of portion 15 shown in FIG. 7;
and,
FIG. 16 is an enlarged view of portion 16 shown in FIG. 8.
The dashed or broken lines shown in the drawings depict portions of the leg massager in which the design is embodied that form no part of the claimed design.

(56) **References Cited**

U.S. PATENT DOCUMENTS

4,375,217 A * 3/1983 Arkans A61H 9/0078
601/152
4,989,589 A 2/1991 Pekanmaki et al.

1 Claim, 16 Drawing Sheets



(56)

References Cited

U.S. PATENT DOCUMENTS

5,795,312	A *	8/1998	Dye	A61H 9/0078 128/DIG. 20
8,016,779	B2 *	9/2011	Brown	A61H 9/0078 601/152
8,034,007	B2 *	10/2011	Avitable	A61H 9/0078 601/151
8,070,699	B2 *	12/2011	Avitable	A61H 9/0078 601/151
8,114,117	B2 *	2/2012	Avitable	A61H 9/0078 606/201
8,162,861	B2 *	4/2012	Avitable	A61H 9/0078 601/151
8,778,005	B2 *	7/2014	Parish	A61F 7/0085 607/104
9,119,705	B2 *	9/2015	Parish	A61F 7/0085
9,872,812	B2 *	1/2018	Malhi	A61H 9/0078
2001/0020143	A1 *	9/2001	Stark	A61F 5/012 602/13
2010/0262044	A1 *	10/2010	Siegler	A61B 5/1036 600/592
2010/0262052	A1 *	10/2010	Lunau	A61B 5/6828 602/5
2014/0276288	A1 *	9/2014	Randolph	A61H 9/0092 601/152
2016/0058654	A1 *	3/2016	Denson	A61H 9/0078 601/150

* cited by examiner

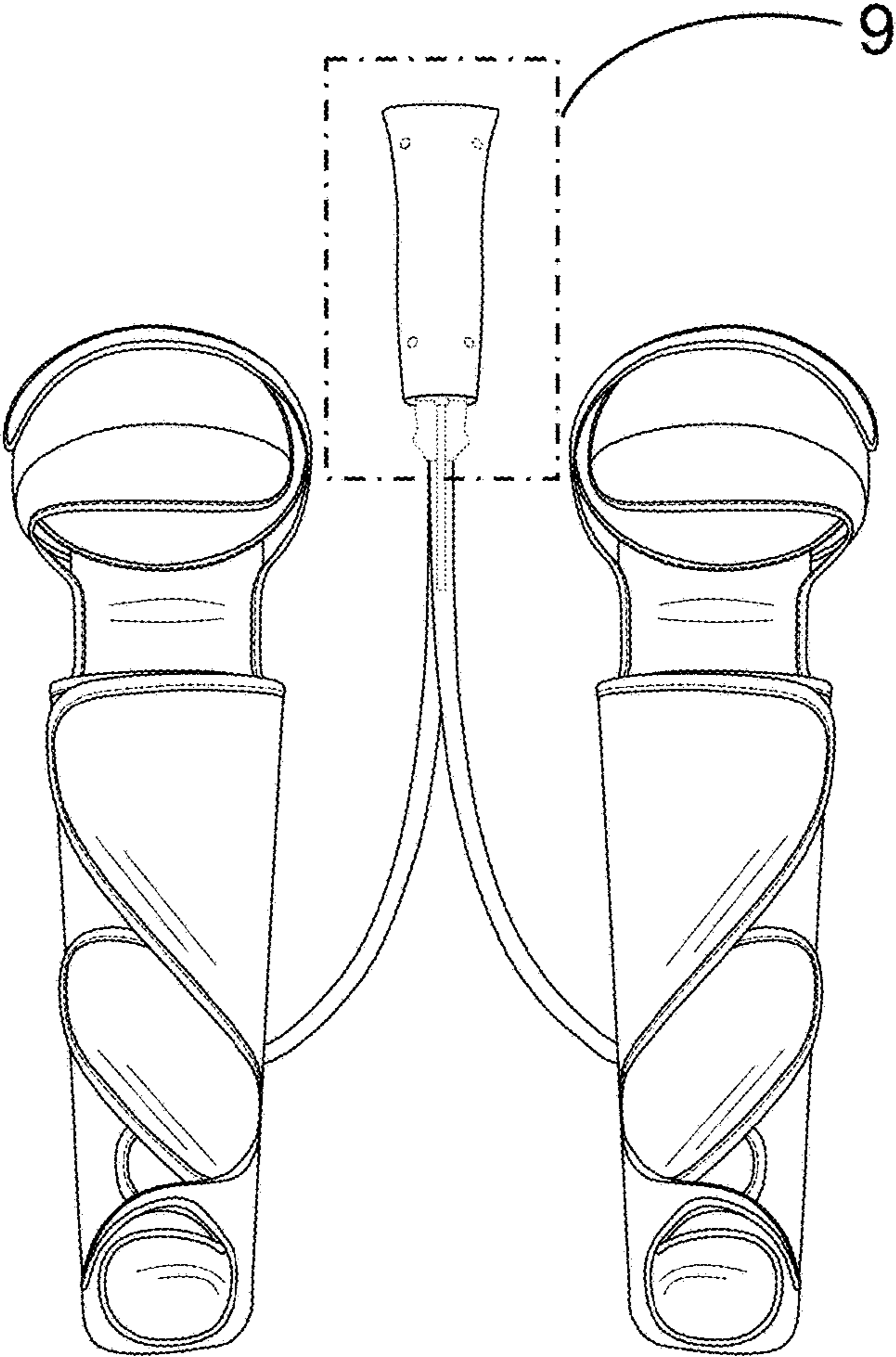


FIG.1

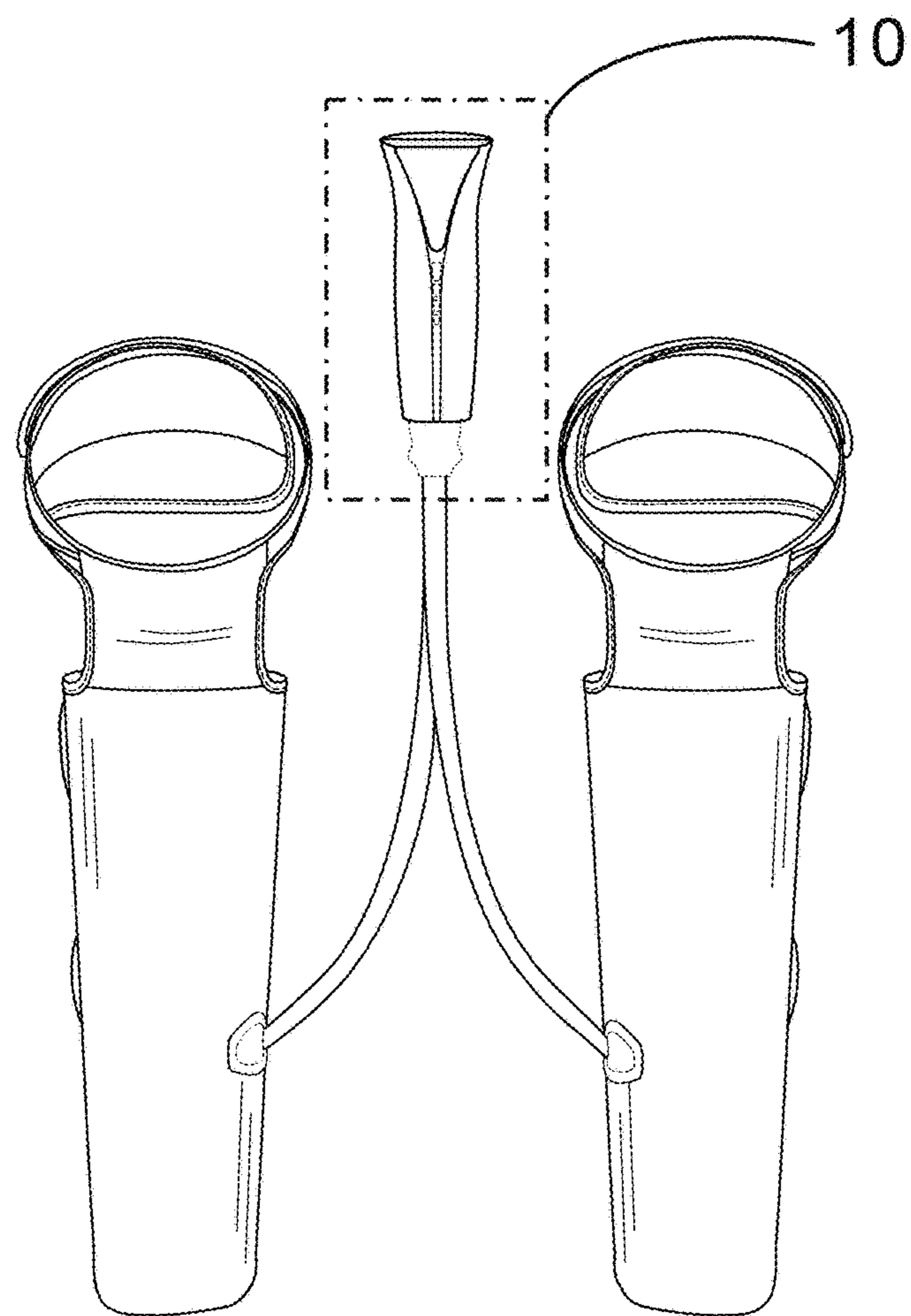


FIG.2

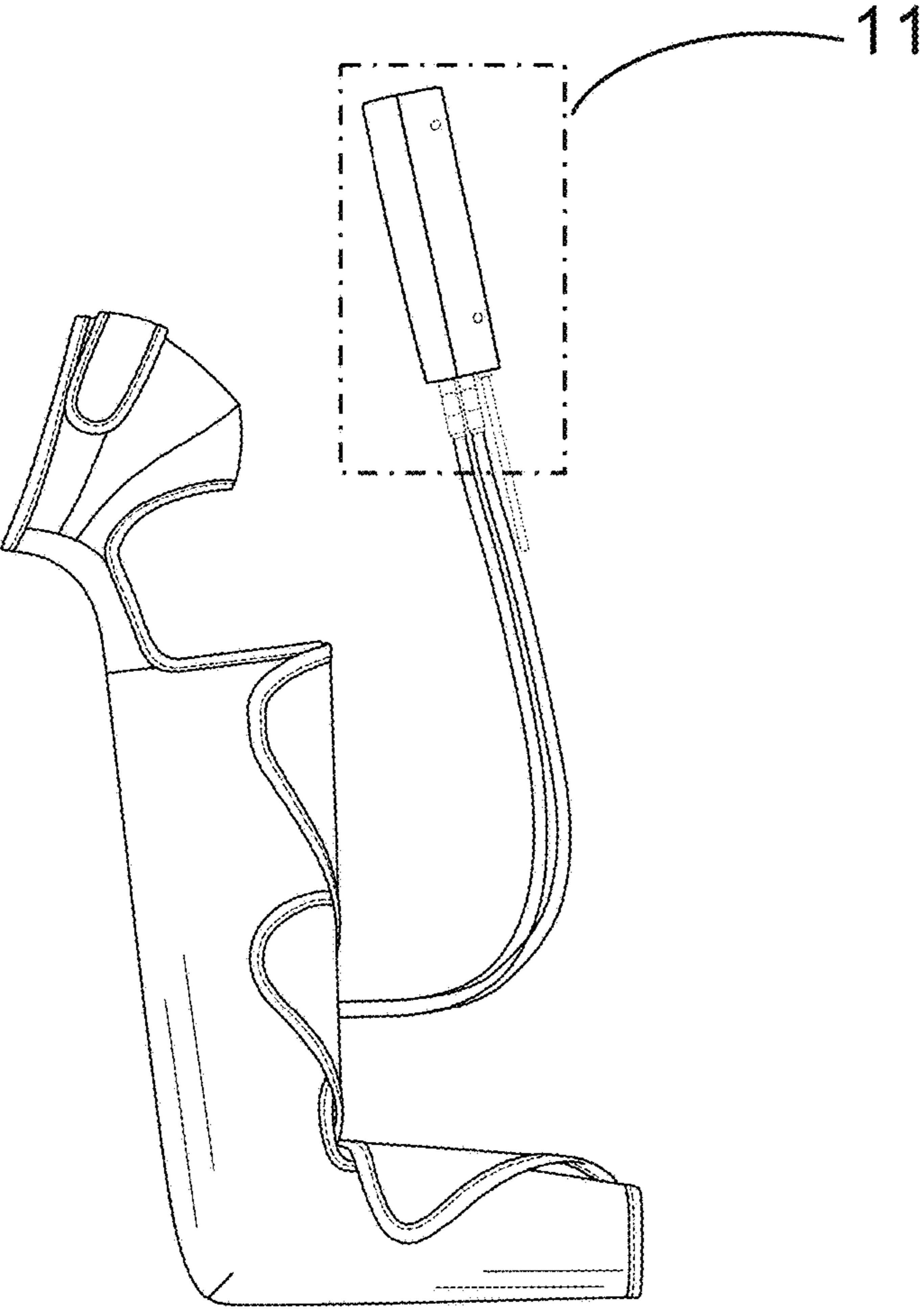


FIG.3

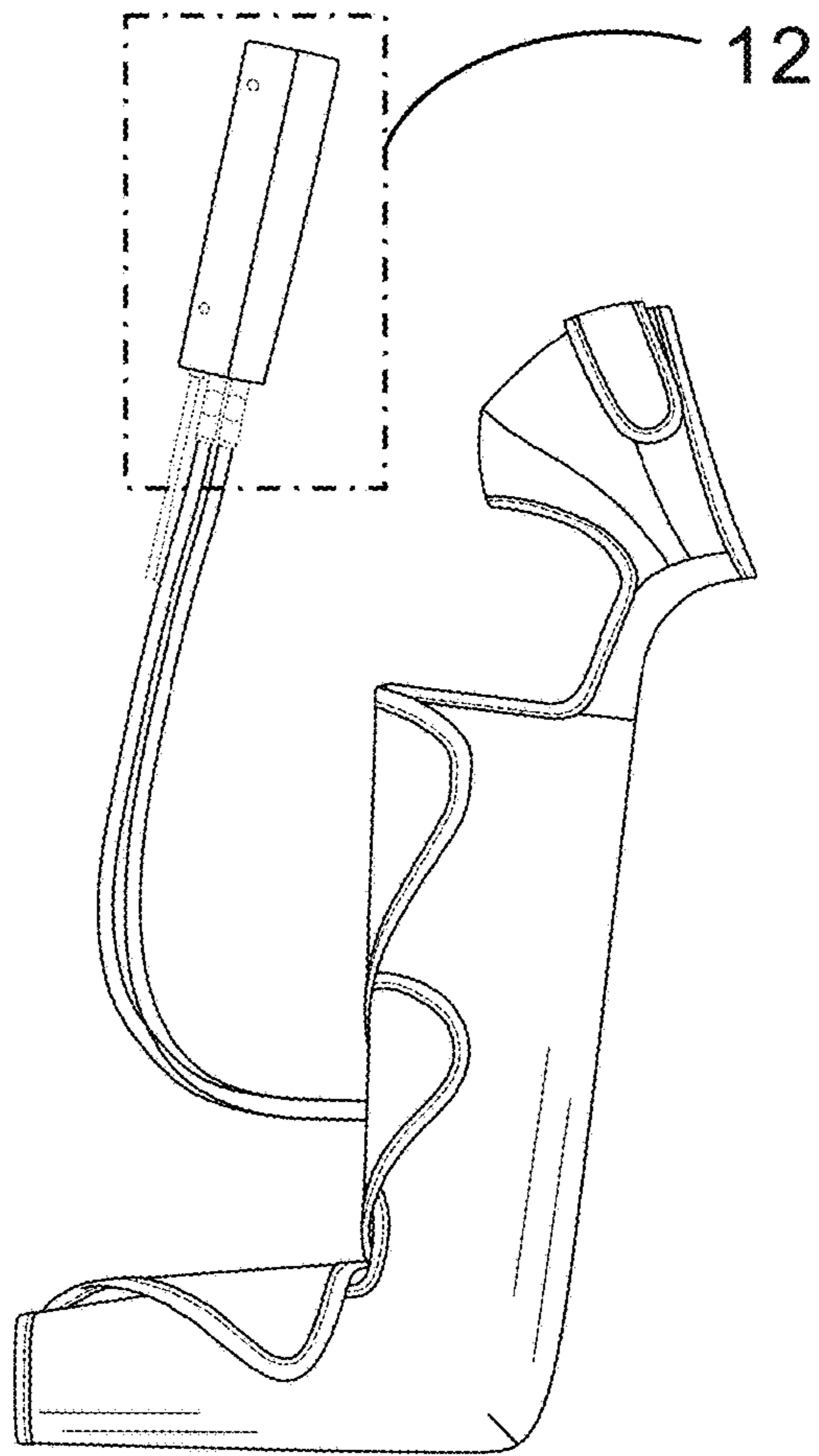


FIG.4

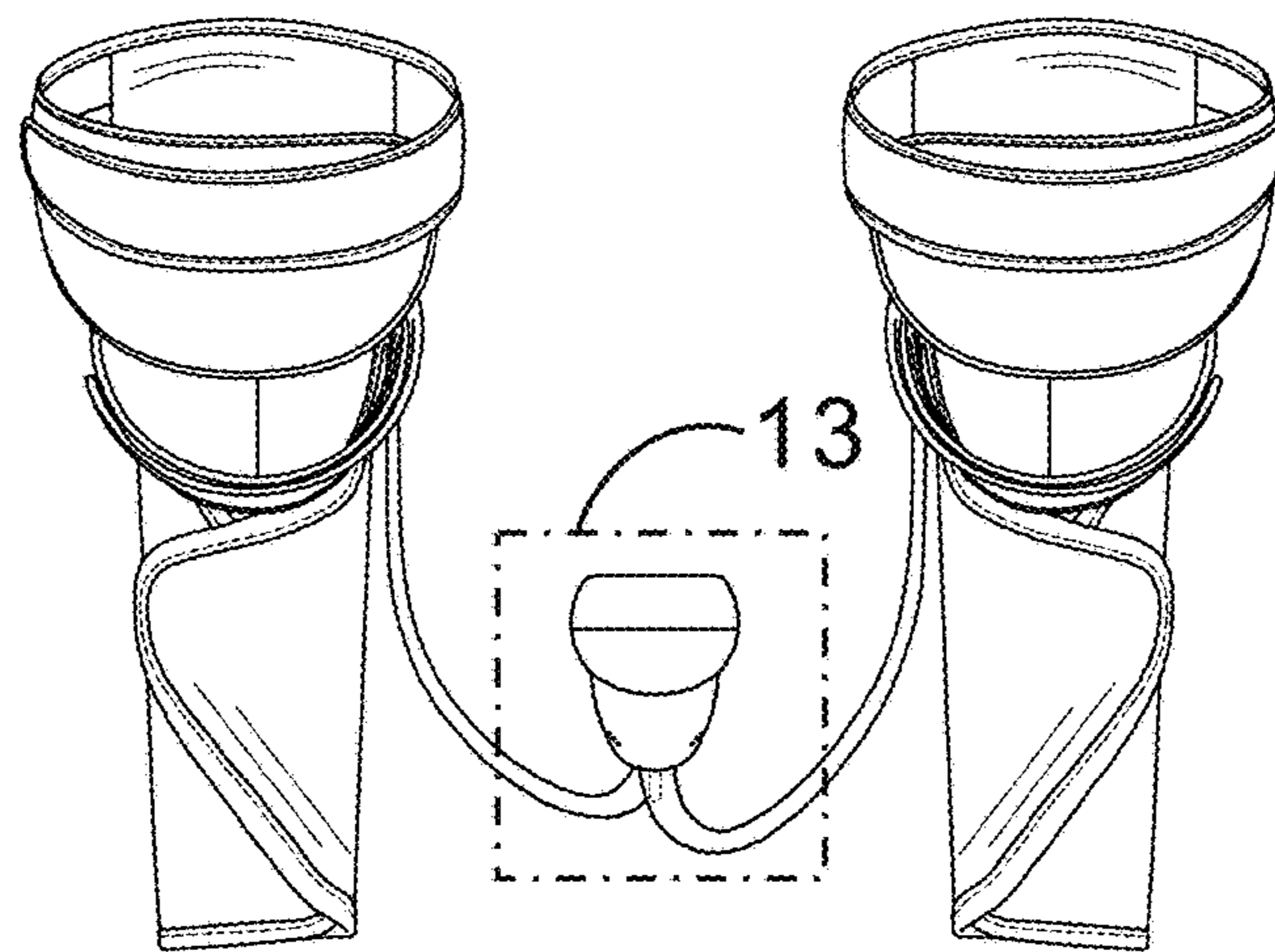


FIG.5

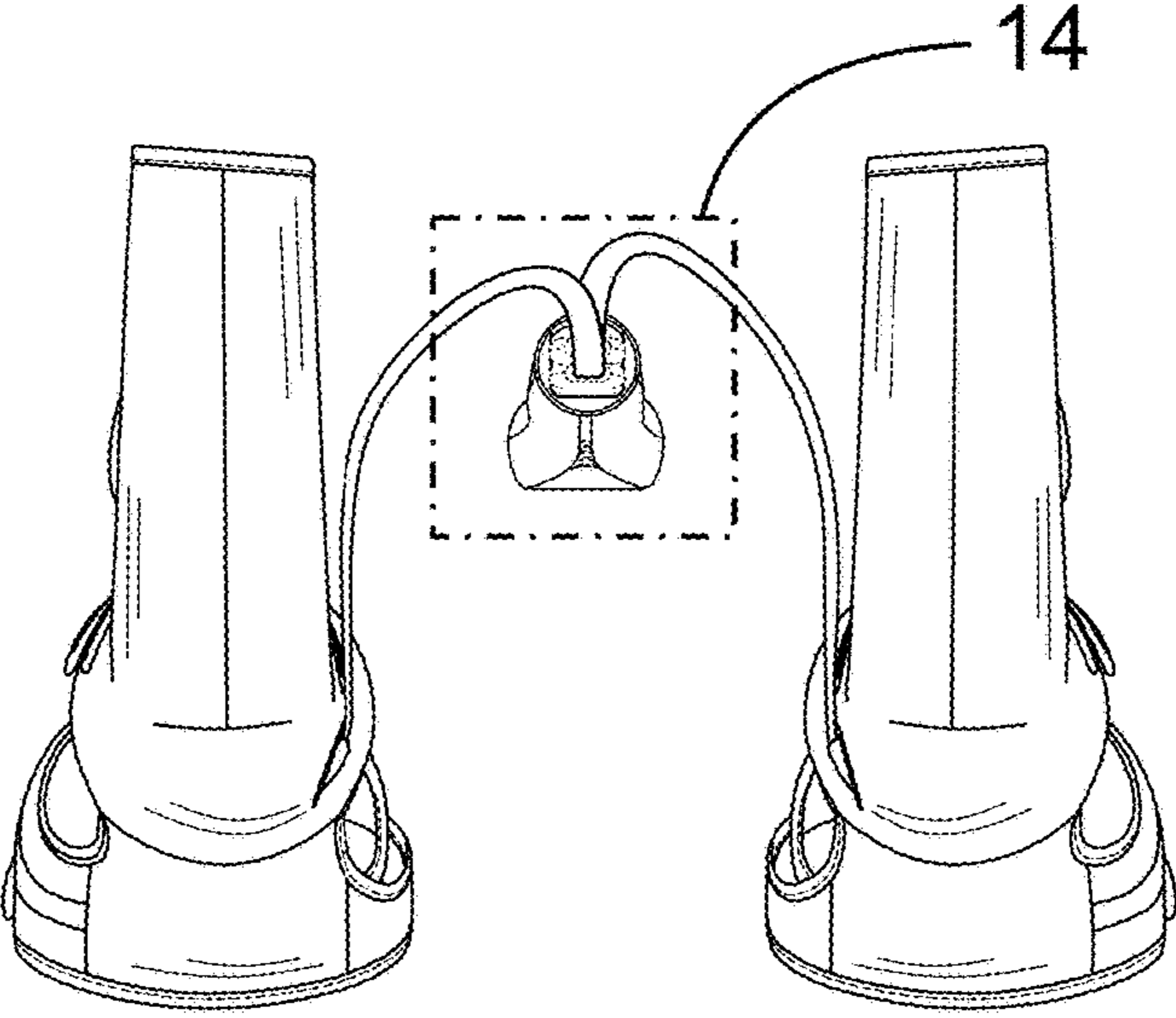


FIG.6

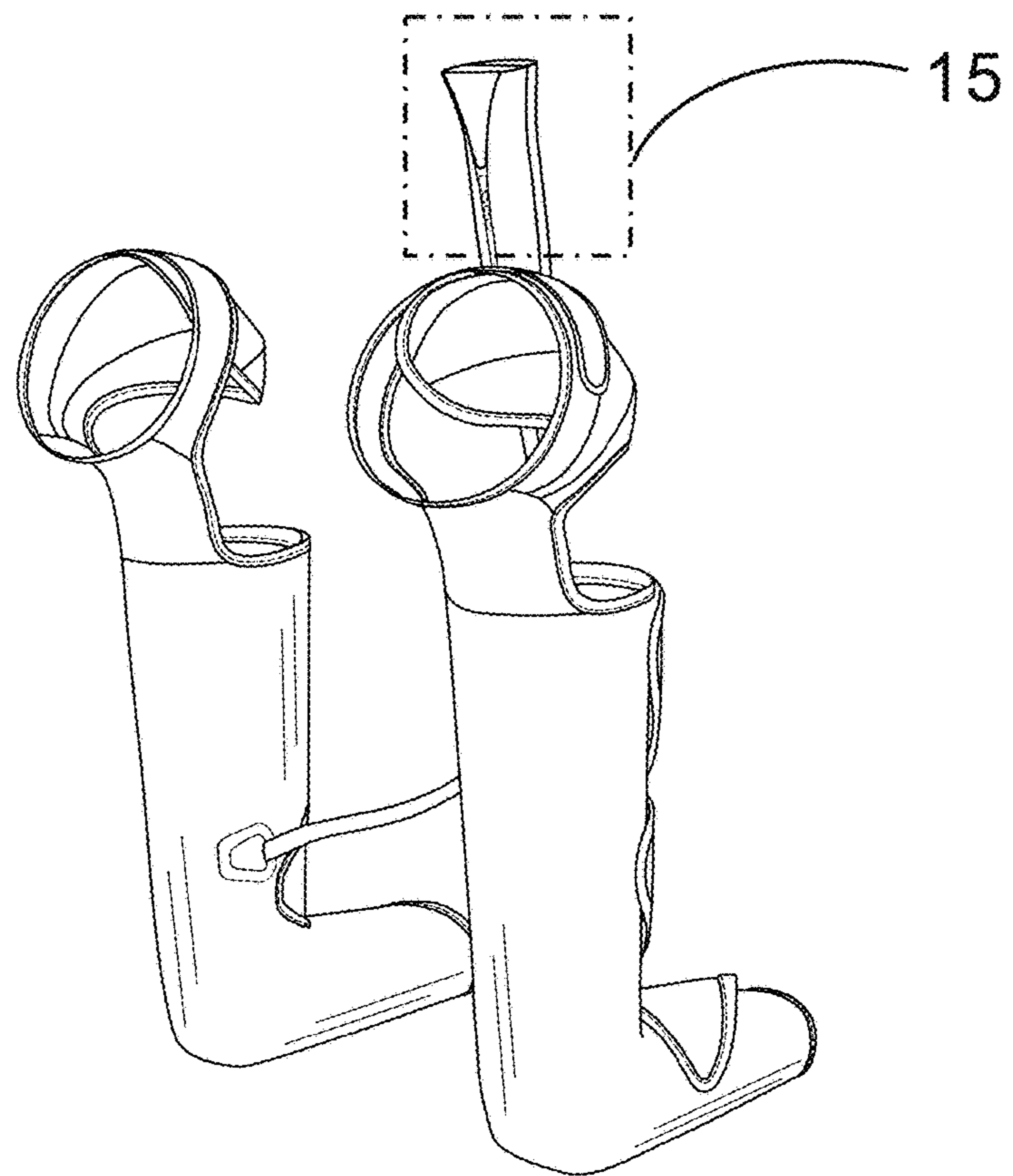


FIG.7

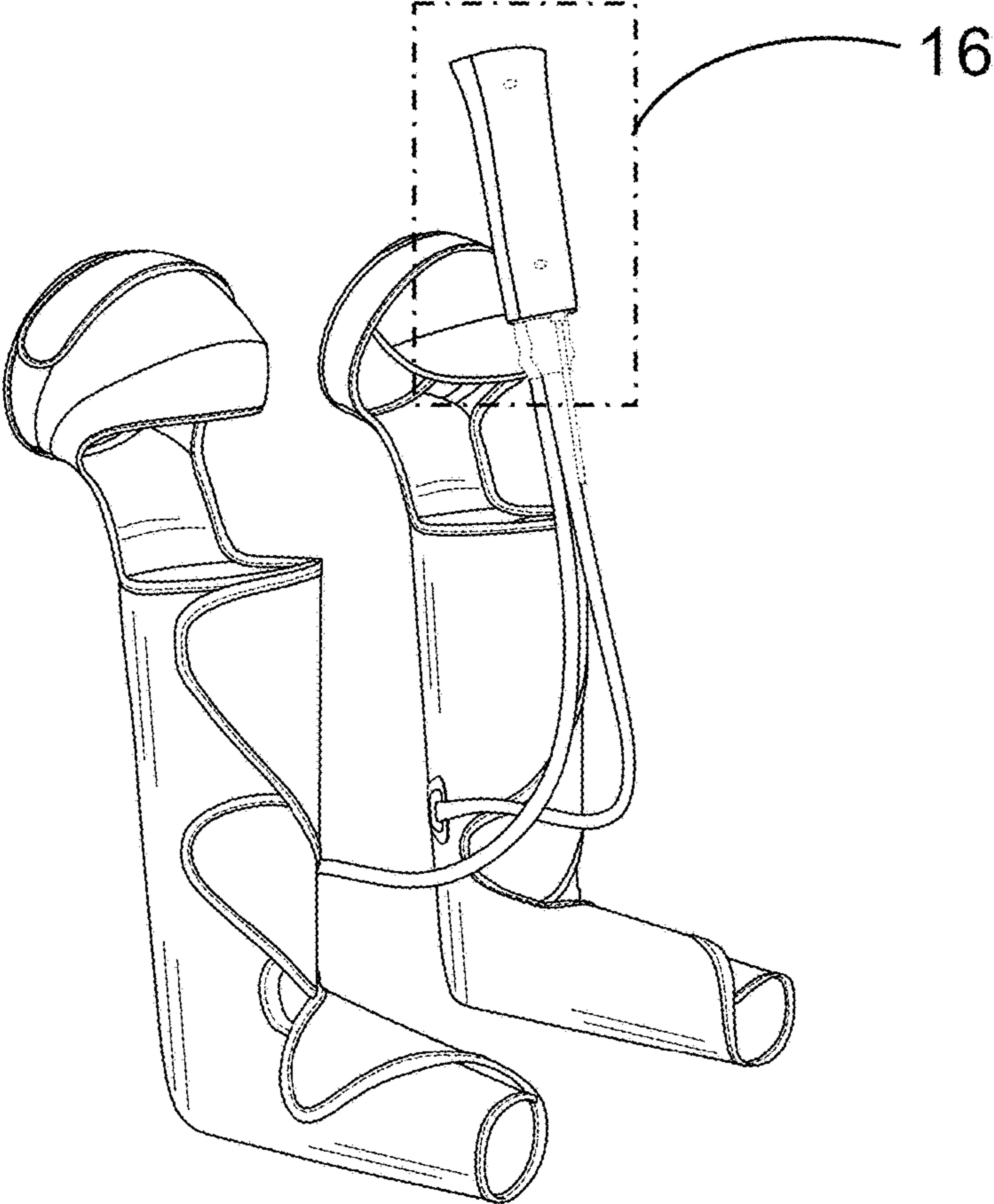


FIG.8

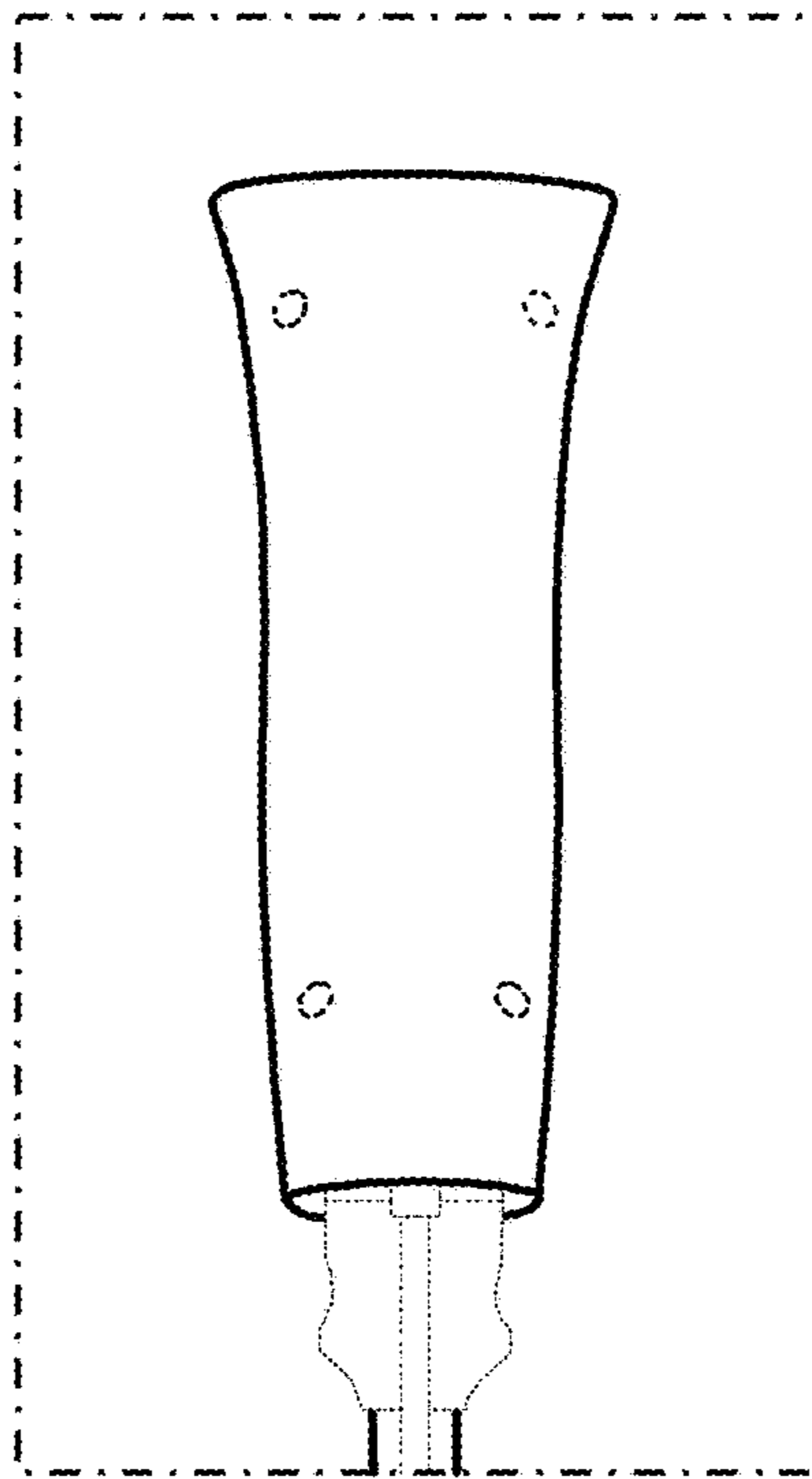


FIG.9

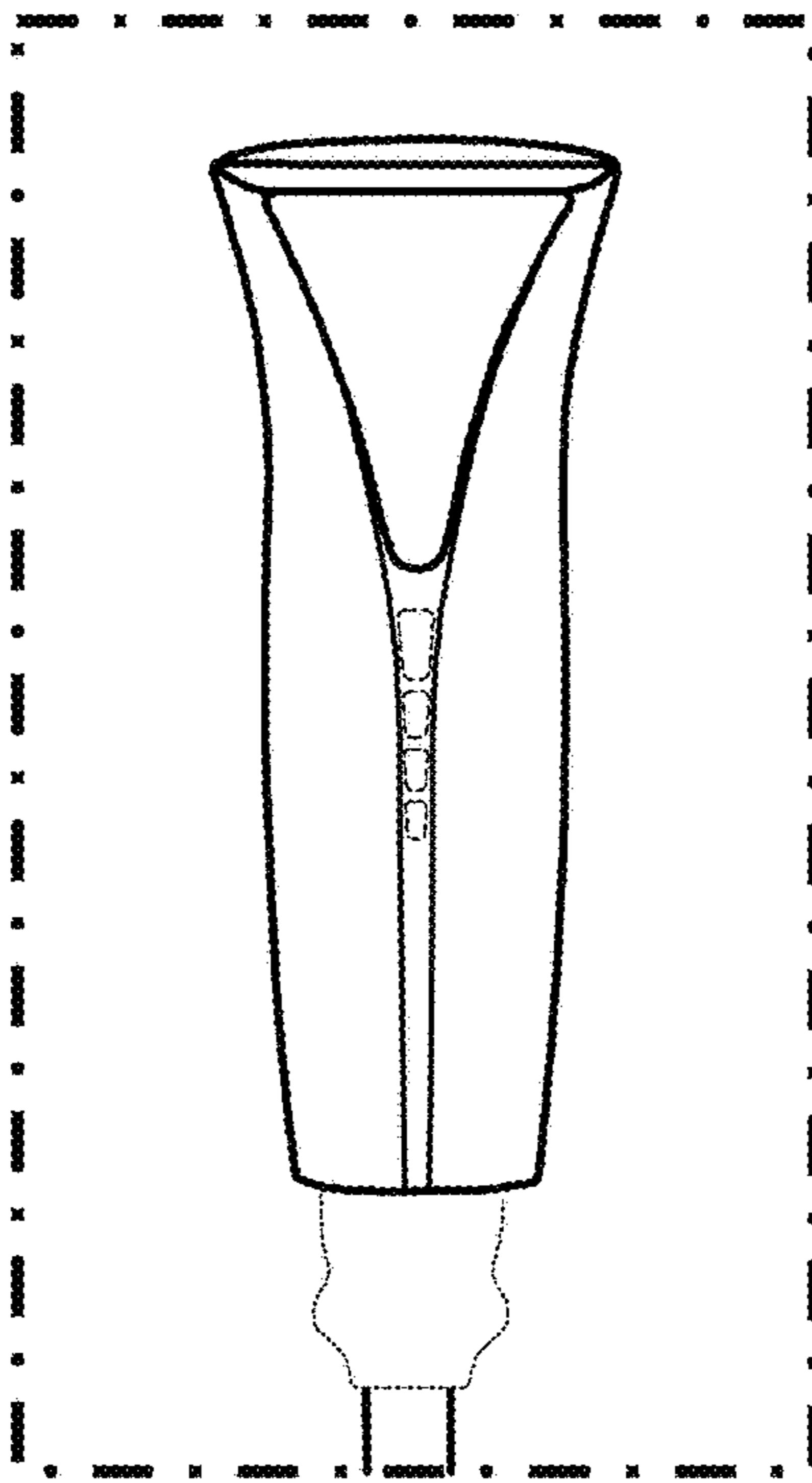


FIG.10

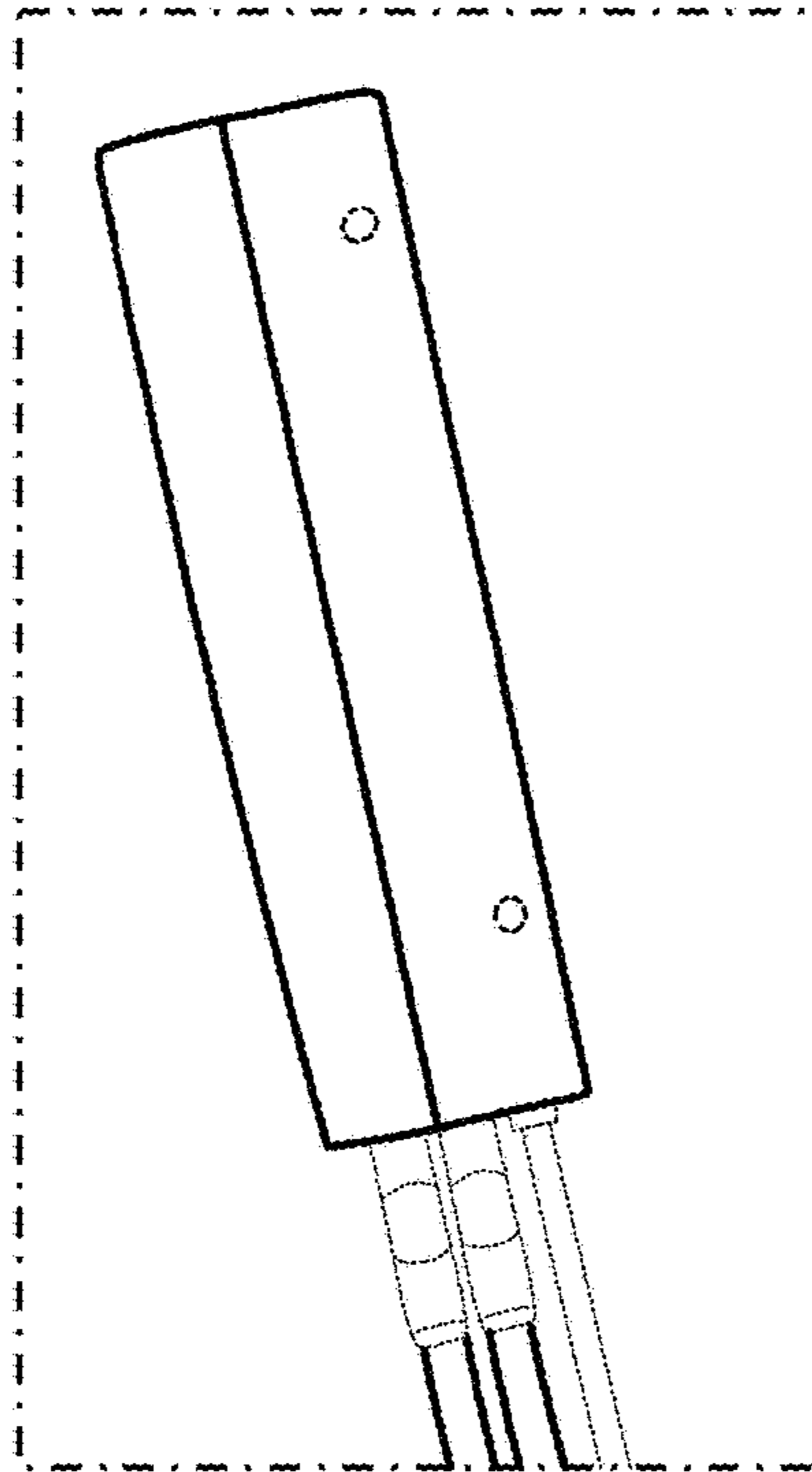


FIG.11

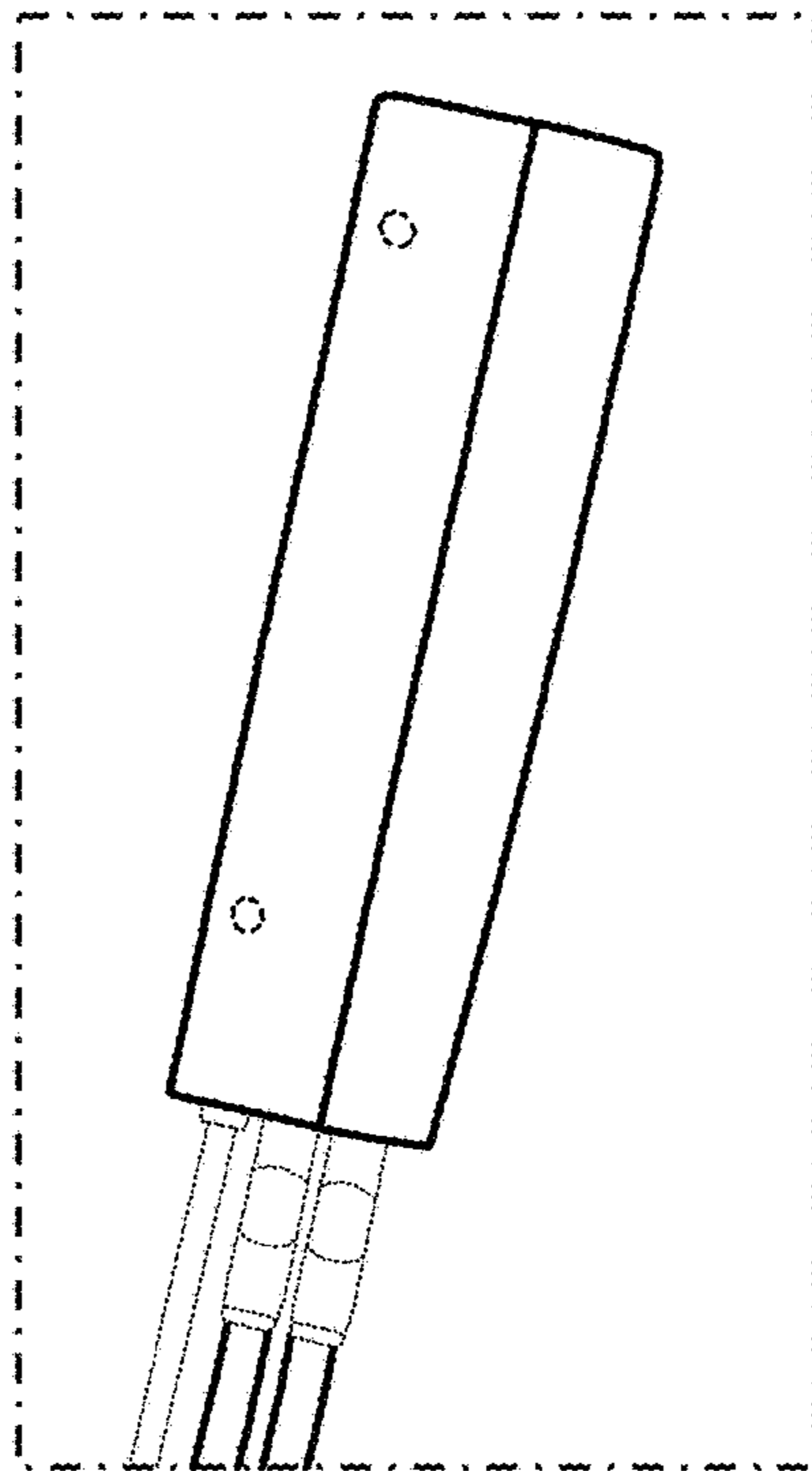


FIG.12

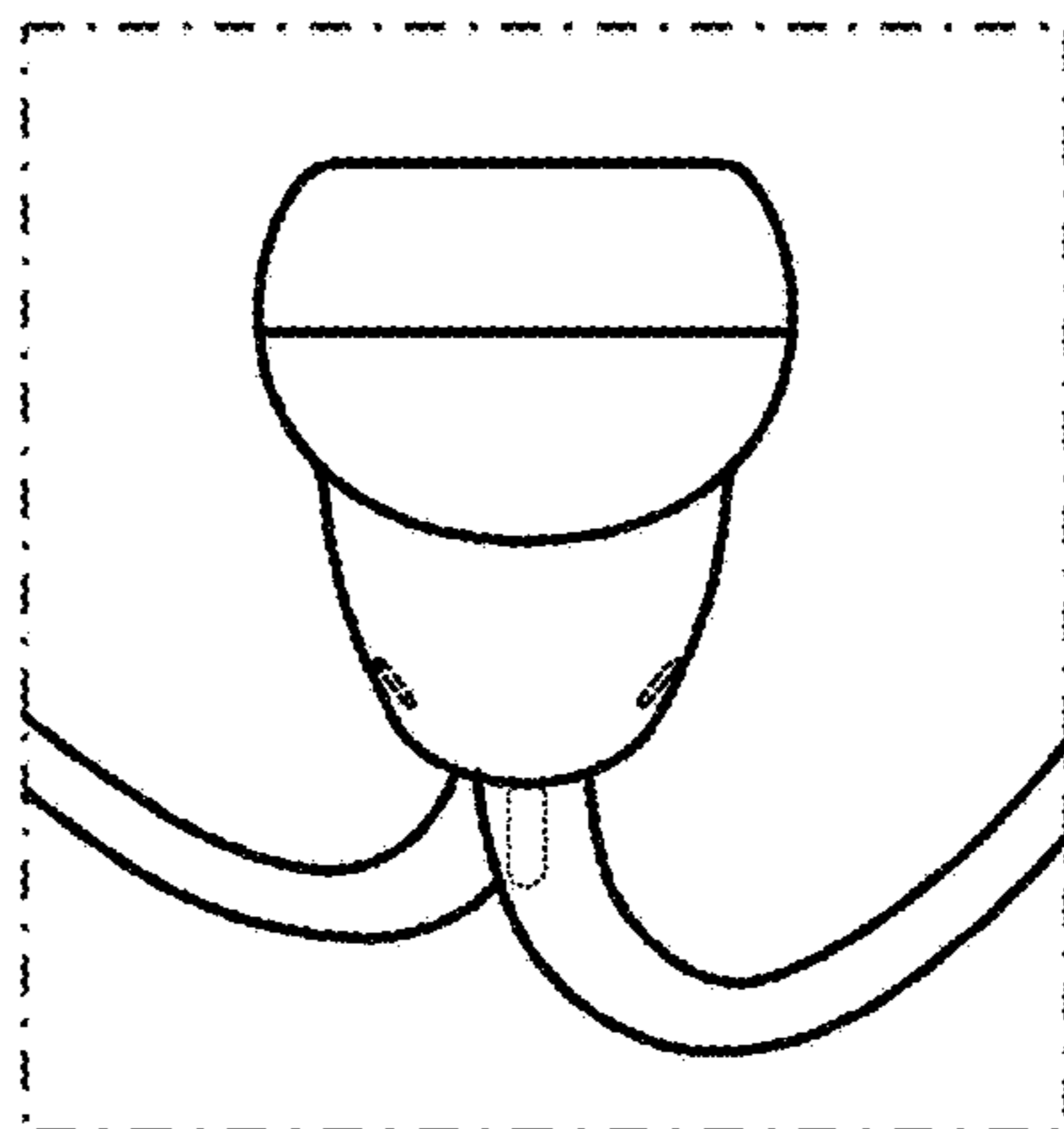


FIG.13

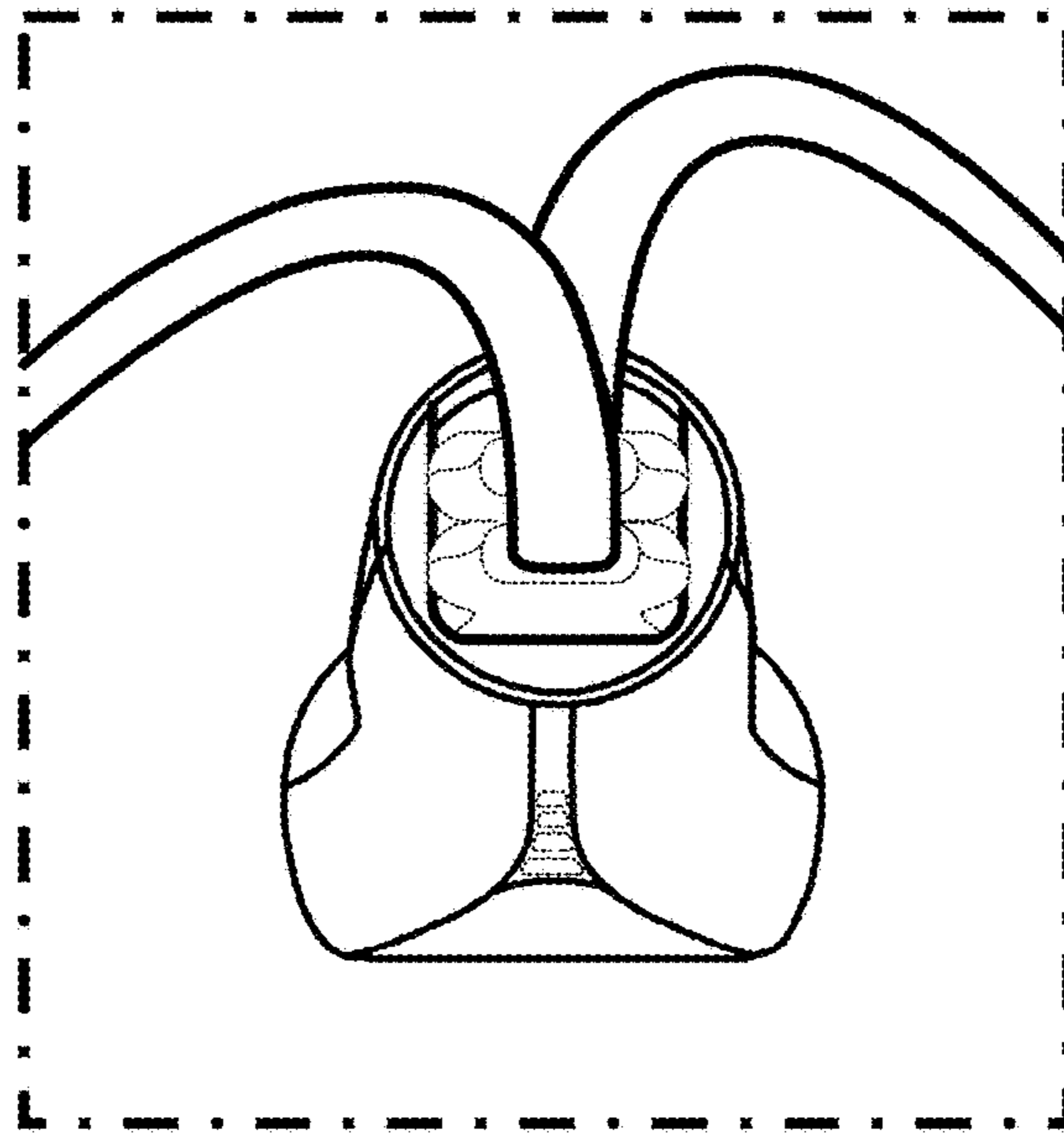


FIG.14

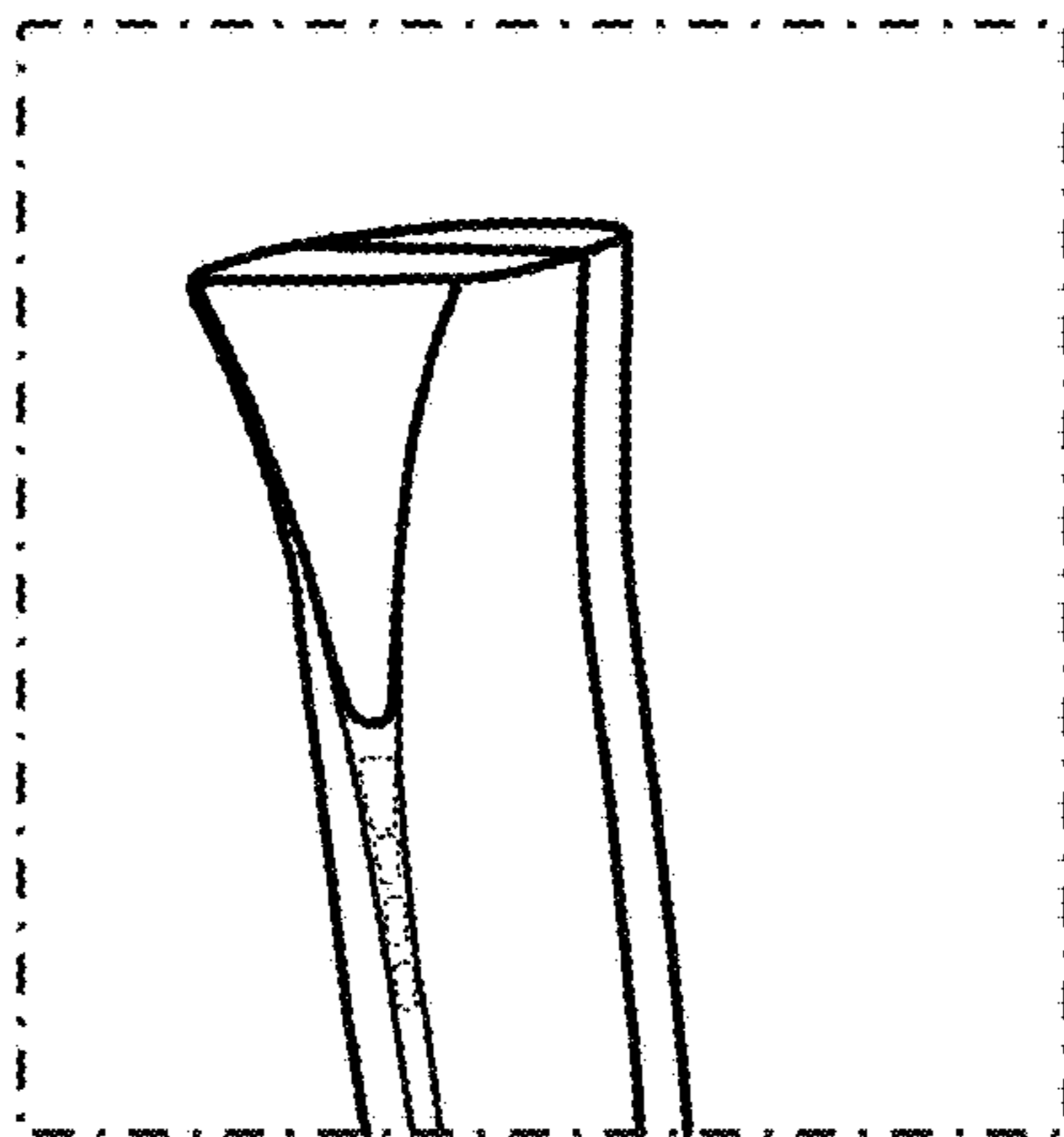


FIG.15

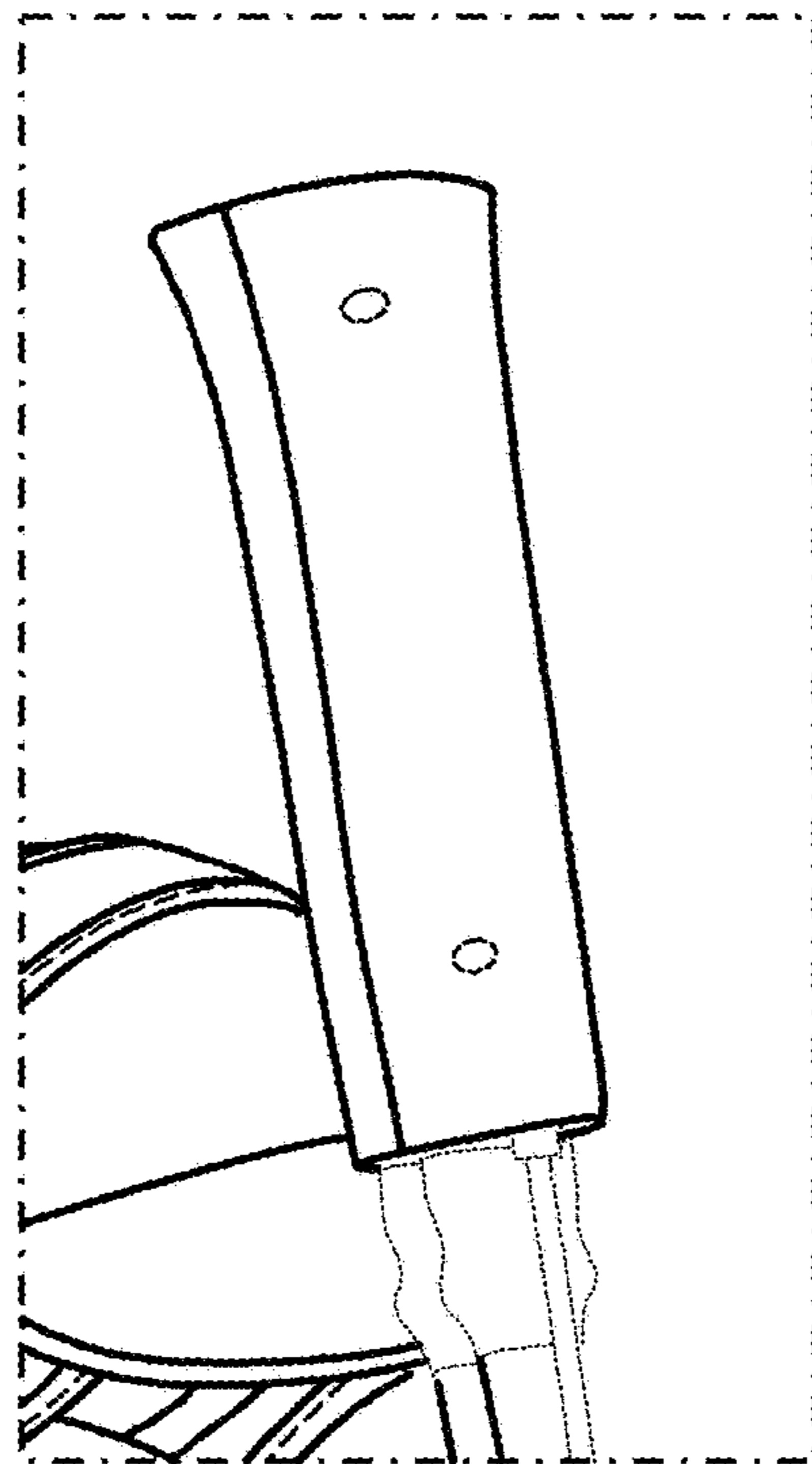


FIG.16