



US00D866786S

(12) **United States Design Patent**
Garner et al.

(10) **Patent No.:** **US D866,786 S**

(45) **Date of Patent:** **** Nov. 12, 2019**

(54) **ACUPRESSURE MASSAGE DEVICE**

(71) Applicant: **YTHERA**, Cachan (FR)

(72) Inventors: **Pierre Garner**, Paris (FR); **Thomas Droze**, St Germain en Laye (FR)

(73) Assignee: **YTHERA**, Cachan (FR)

(**) Term: **15 Years**

(21) Appl. No.: **29/616,581**

(22) Filed: **Sep. 7, 2017**

(30) **Foreign Application Priority Data**

Mar. 7, 2017 (EP) 003787647-0001
Mar. 7, 2017 (EP) 003787647-0002
Mar. 7, 2017 (EP) 003787647-0003
Mar. 7, 2017 (EP) 003787647-0004

(51) **LOC (12) Cl.** **28-03**

(52) **U.S. Cl.**
USPC **D24/215**

(58) **Field of Classification Search**

USPC 601/19, 27, 28, 29, 30, 31, 32, 46, 48,
601/52, 128, 129, 130, 131, 134, 135,
601/136, 137, DIG. 12, DIG. 15, DIG. 16,
601/DIG. 17; D24/200, 211, 212, 213,
D24/214, 215; D28/7, 88; D19/115,
D19/187; 401/202, 205, 243; 132/317,
132/318, 320
CPC A45D 2040/0006; B65D 43/163; A61H
2007/009; A61H 2201/1645; A61H 7/007;
A61H 15/00; A61H 2015/0014; A61H
1/0292

See application file for complete search history.

(56) **References Cited**

U.S. PATENT DOCUMENTS

D268,524 S * 4/1983 D'Addio D24/211
D318,538 S * 7/1991 Shinohara D28/7

D346,866 S * 5/1994 Lotuaco D24/200
5,782,779 A * 7/1998 Kilgore A61H 19/44
601/DIG. 16
D425,121 S * 5/2000 Bardet D19/187
D426,311 S * 6/2000 Horowitz D24/215
6,110,102 A * 8/2000 Harrison A61H 19/44
601/DIG. 16
6,183,428 B1 * 2/2001 Kilgore A61H 19/44
601/DIG. 16
D485,910 S * 1/2004 Chan D24/215
D521,385 S * 5/2006 Priestman D28/88
D530,857 S * 10/2006 Black D28/7

(Continued)

OTHER PUBLICATIONS

Ylo-sante, "Stylo de phyto-acupression Sommeil", Sep. 5, 2018.
<https://www.ylo-sante.com/nos-produits/sommeil/> (Year: 2018).*

Primary Examiner — Cynthia Ramirez

Assistant Examiner — Michael A Maharajh

(74) *Attorney, Agent, or Firm* — Fox Rothschild LLP

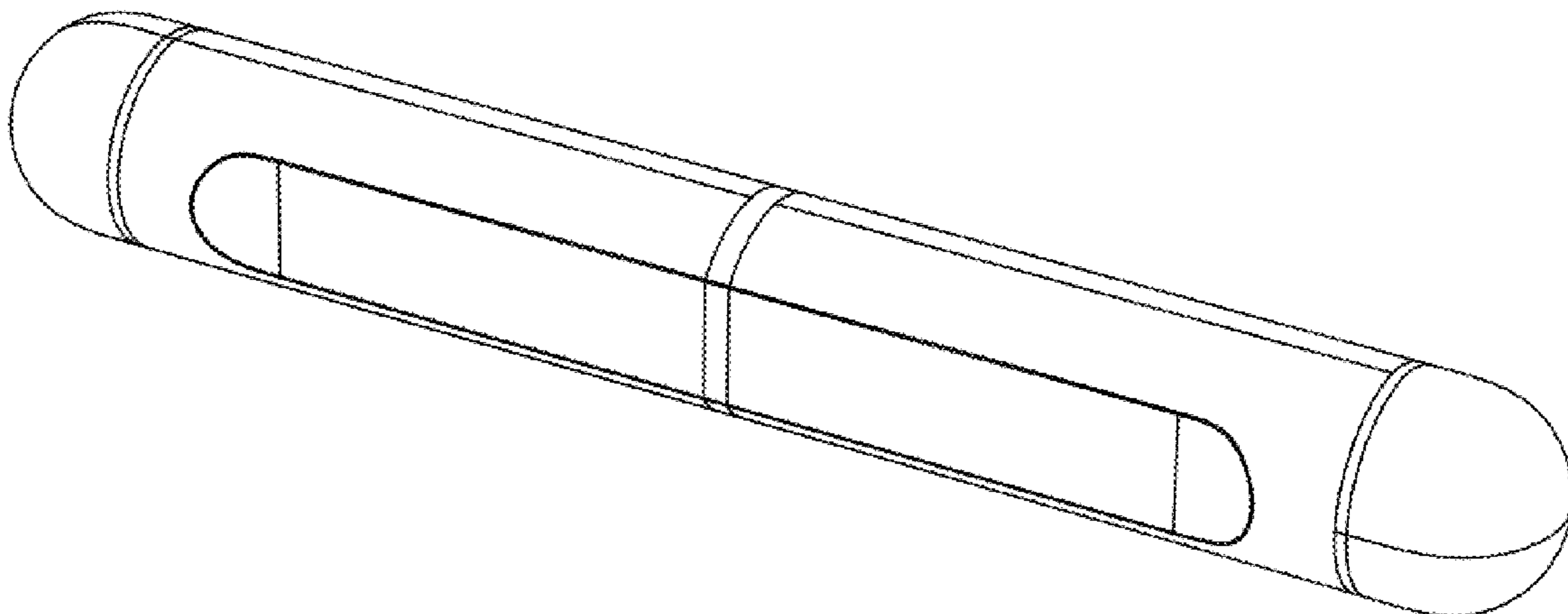
(57) **CLAIM**

The ornamental design for acupressure massage device, as shown and described.

DESCRIPTION

FIG. 1 is a perspective view of the massage device in a closed position;
FIG. 2 is a front view thereof;
FIG. 3 is a top plan view thereof;
FIG. 4 is a bottom plan view thereof;
FIG. 5 is a side view thereof;
FIG. 6 is a perspective view of the massage device in an opened position;
FIG. 7 is a front view thereof;
FIG. 8 is a top plan view thereof;
FIG. 9 is a bottom plan view thereof;
FIG. 10 is a right side view thereof; and,
FIG. 11 is a left side view thereof.

1 Claim, 2 Drawing Sheets



(56)

References Cited

U.S. PATENT DOCUMENTS

D536,138 S * 1/2007 Py D28/88
 D540,952 S * 4/2007 Colvin D24/215
 D544,644 S * 6/2007 Hartstock D28/7
 D547,878 S * 7/2007 Lai D24/214
 D554,291 S * 10/2007 Darnell D28/88
 D585,997 S * 2/2009 Adam D24/107
 7,510,537 B2 * 3/2009 Imboden A61H 19/00
 601/DIG. 16
 7,547,155 B2 * 6/2009 Windorski B42D 5/006
 401/243
 D633,625 S * 3/2011 Maderazzo D24/200
 D648,862 S * 11/2011 Yen D24/215
 D666,733 S * 9/2012 Caggiano D24/215
 D672,047 S * 12/2012 Hsu D24/200
 D681,841 S * 5/2013 Scappaticci D24/215
 8,485,997 B2 * 7/2013 Chen A61H 23/0263
 601/46
 D710,053 S * 7/2014 Abbott D28/7

8,814,836 B2 * 8/2014 Ignon A61B 17/54
 601/135
 D727,422 S * 4/2015 Maiwald D19/66
 9,022,042 B1 * 5/2015 Fichtl A45D 40/24
 132/317
 D741,068 S * 10/2015 Frazier D28/7
 D742,589 S * 11/2015 Rizzo D28/7
 D744,161 S * 11/2015 Urrechaga D28/7
 D745,742 S * 12/2015 Betts D28/7
 D746,513 S * 12/2015 Monical D28/7
 D750,383 S * 3/2016 Serrano D28/7
 D753,341 S * 4/2016 Moreaux D28/7
 D773,730 S * 12/2016 Rizzo D28/7
 D793,255 S * 8/2017 Berthier D10/57
 D805,688 S * 12/2017 Simon D28/7
 D815,351 S * 4/2018 Zhang D28/7
 D816,897 S * 5/2018 Corsi D28/7
 D818,641 S * 5/2018 Wilson D28/7
 D819,265 S * 5/2018 Crane D28/7
 D821,600 S * 6/2018 Chang D24/215
 D824,039 S * 7/2018 Hetzel D24/215

* cited by examiner

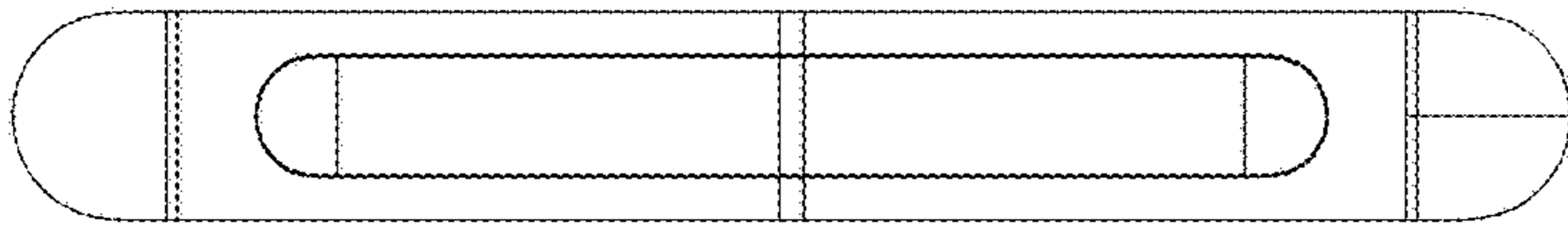


Fig. 2

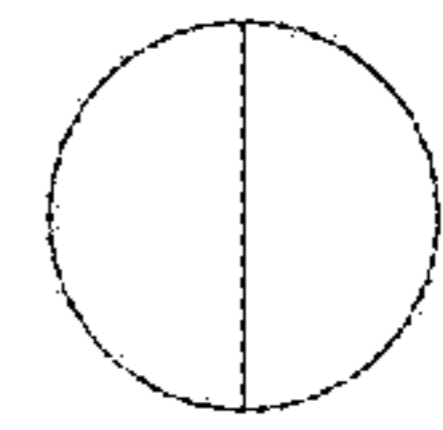


Fig. 5

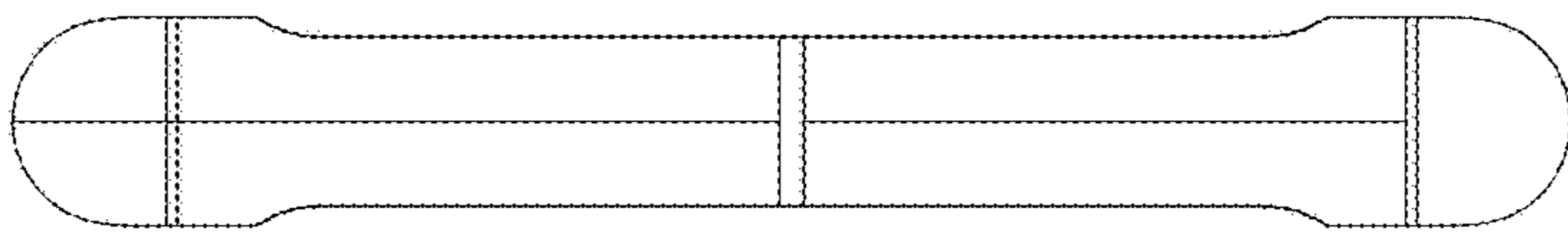


Fig. 3

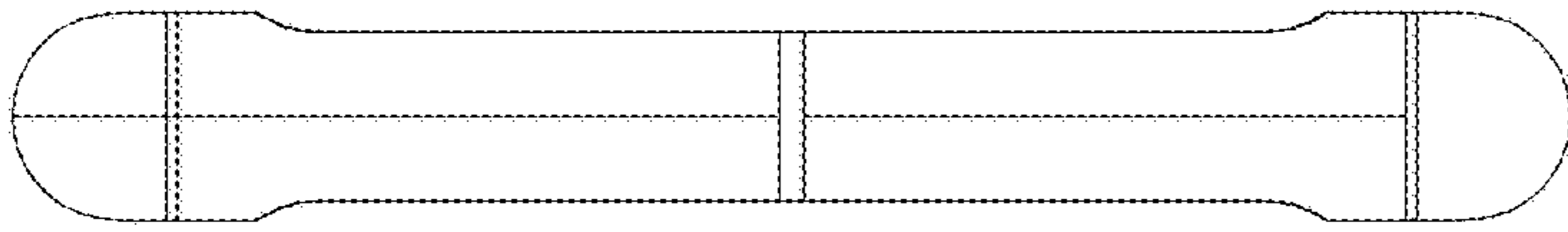


Fig. 4

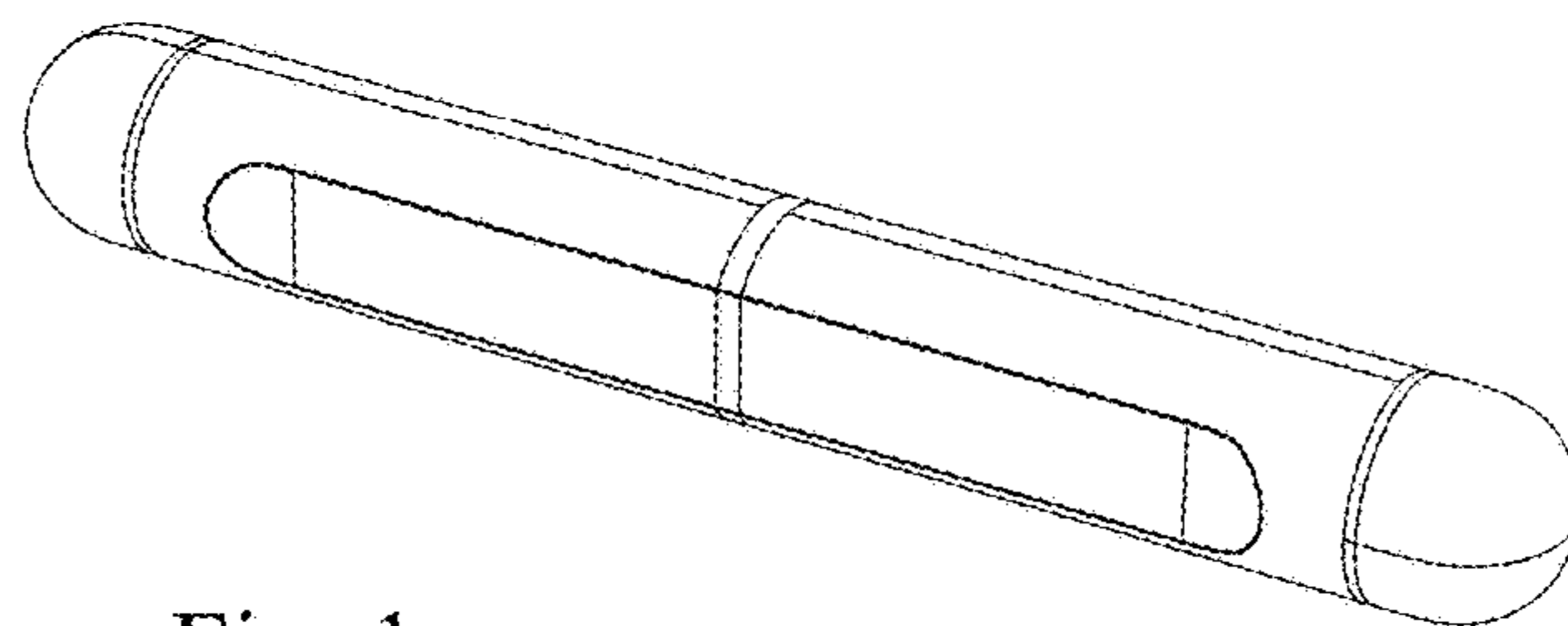


Fig. 1

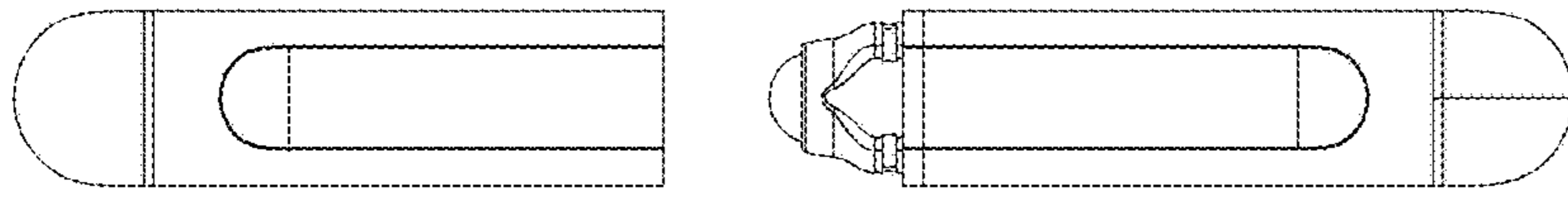


Fig. 7

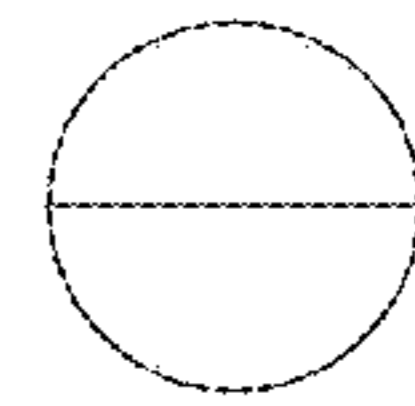


Fig. 10

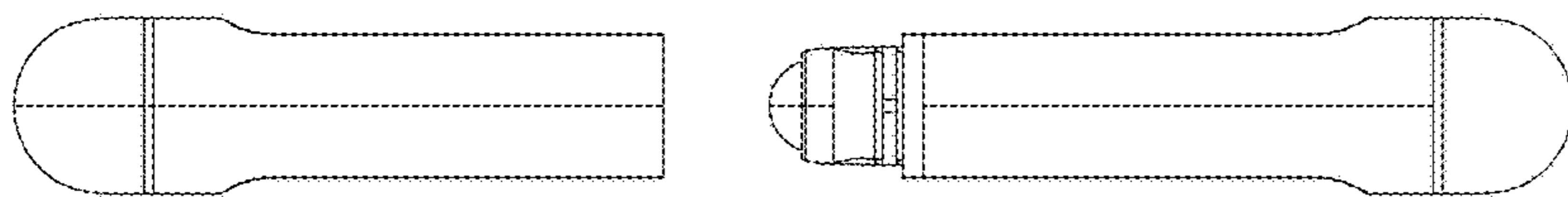


Fig. 8

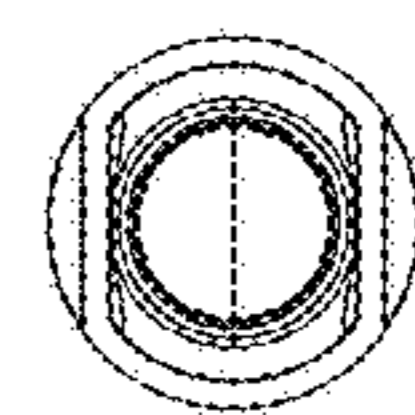


Fig. 11

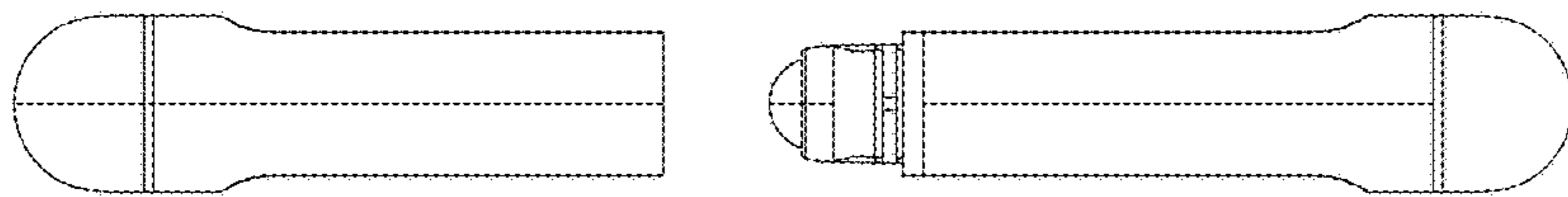


Fig. 9

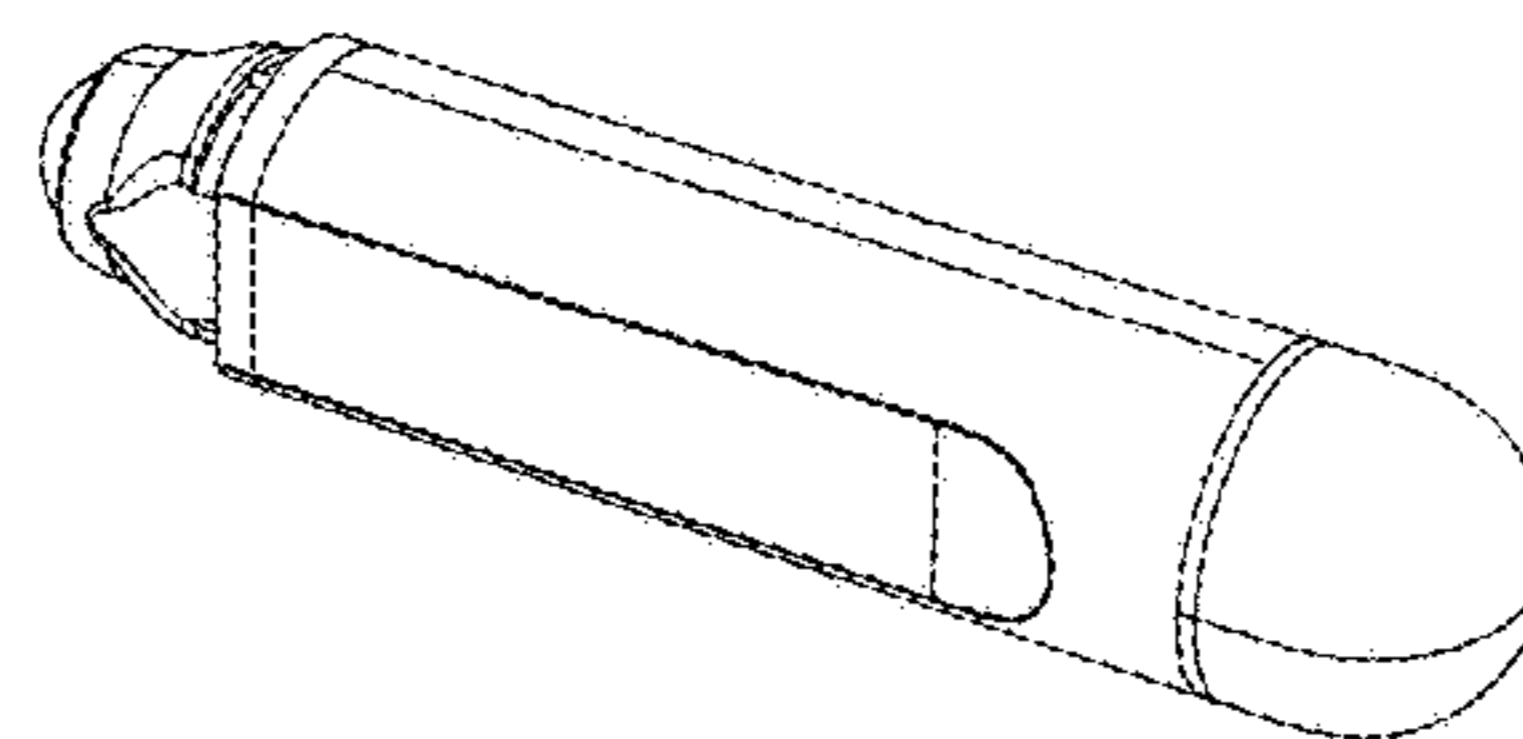
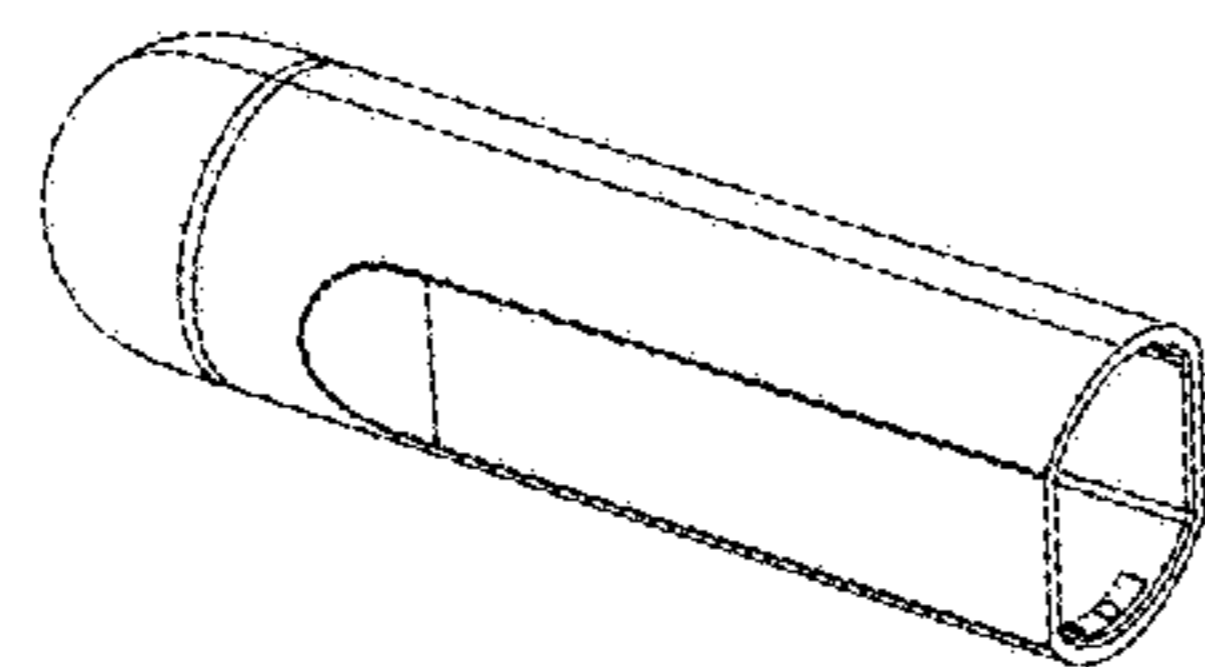


Fig. 6