

US00D866775S

(12) **United States Design Patent** (10) **Patent No.:** **US D866,775 S**  
**Peng** (45) **Date of Patent:** **\*\* Nov. 12, 2019**

(54) **TEETHING MITTEN**  
(71) Applicant: **Shenzhen Kean Silicone Product Co., Ltd**, Shenzhen, Guangdong (CN)  
(72) Inventor: **Eric Peng**, Guangdong (CN)  
(73) Assignee: **SHENZHEN KEAN SILICONE PRODUCT CO., LTD**, Shenzhen (CN)

(\*\*) Term: **15 Years**  
(21) Appl. No.: **29/645,545**  
(22) Filed: **Apr. 27, 2018**

(30) **Foreign Application Priority Data**  
Dec. 11, 2017 (CN) ..... 2017 3 0625936  
(51) **LOC (12) Cl.** ..... **24-04**  
(52) **U.S. Cl.**  
USPC ..... **D24/195**  
(58) **Field of Classification Search**  
USPC ..... D24/193, 194, 195, 214; D1/106, 107, D1/115, 125, 199; D21/418, 483, 496, D21/576, 584, 621, 628, 650, 684; D29/113, 118, 121.2; D30/160; D2/605, D2/606, 607, 614, 622, 980, 983, 984  
CPC ..... A61J 17/001; A61J 17/02  
See application file for complete search history.

(56) **References Cited**  
**U.S. PATENT DOCUMENTS**  
2,115,405 A \* 4/1938 Allen ..... A61J 17/02 606/235  
D381,751 S \* 7/1997 Lun ..... D24/194  
6,116,191 A \* 9/2000 Suchowski ..... A01K 15/026 119/707  
D528,251 S \* 9/2006 Lion ..... D29/118  
D588,706 S \* 3/2009 Williams ..... D21/588  
D593,278 S \* 6/2009 Kimm ..... D2/622

D742,018 S \* 10/2015 Frazier ..... D24/195  
D750,791 S \* 3/2016 Hardisty ..... D24/195  
D750,792 S \* 3/2016 Darnley ..... D24/195  
D822,220 S \* 7/2018 Boothby ..... D24/194  
D840,634 S \* 2/2019 Steward ..... D2/622  
2014/0207187 A1\* 7/2014 Kiraly ..... A41D 19/0037 606/223  
2018/0055741 A1\* 3/2018 Hyslop ..... A61J 17/02

**OTHER PUBLICATIONS**

“TTB Teething Mitten Owl”. Found online Apr. 29, 2019 at amazon.com. Page dated Apr. 10, 2018. Retrieved from [https://www.amazon.com/Teething-Mitten-Babies-Self-Soothing-Relief/dp/B07BC668S5/ref=cm\\_cr\\_ar\\_p\\_d\\_product\\_top?ie=UTF8&th=1](https://www.amazon.com/Teething-Mitten-Babies-Self-Soothing-Relief/dp/B07BC668S5/ref=cm_cr_ar_p_d_product_top?ie=UTF8&th=1).\*

(Continued)

*Primary Examiner* — Kendra Leslie Hamilton

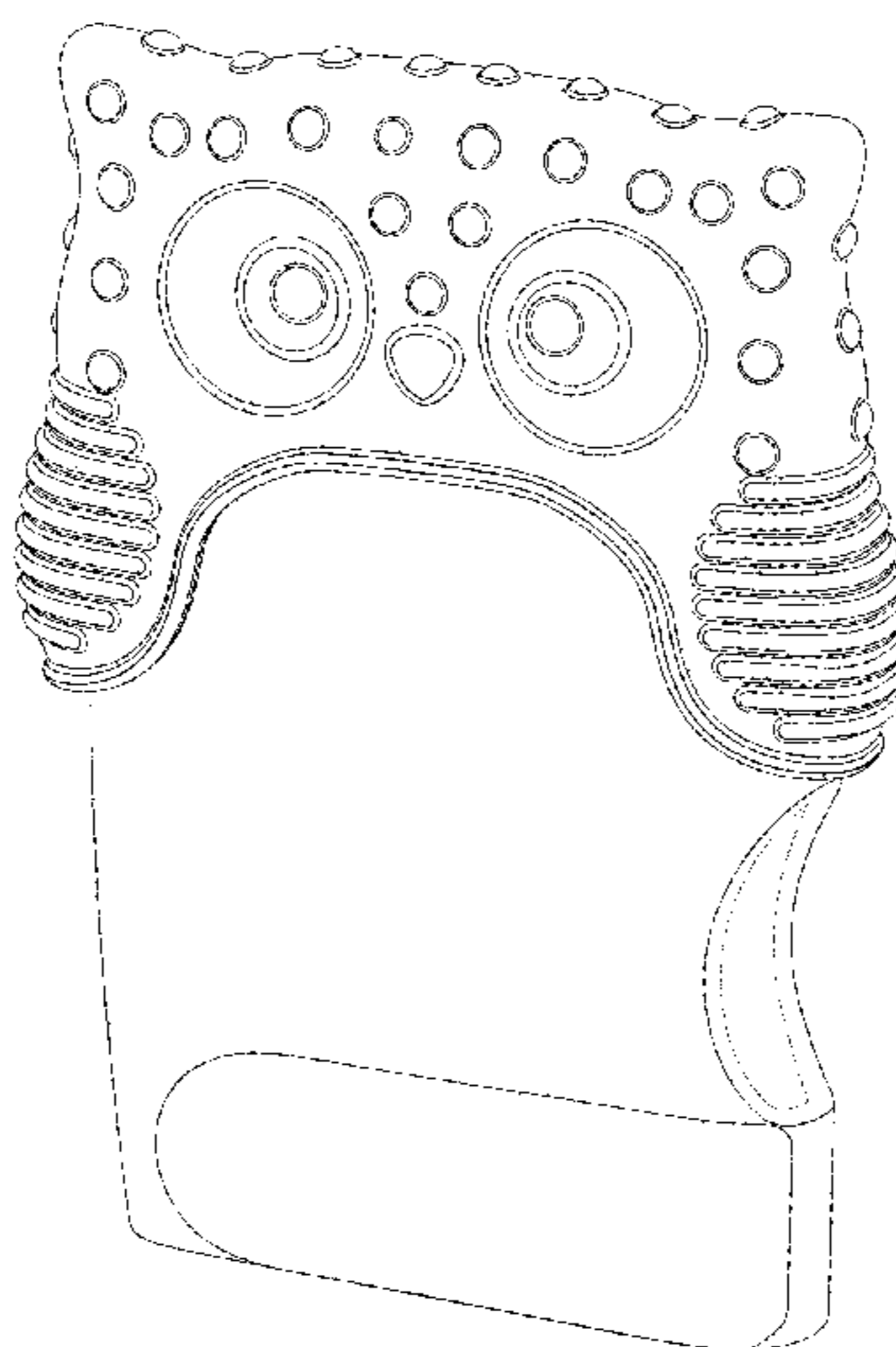
(57) **CLAIM**

The ornamental design for a teething mitten, as shown and described.

**DESCRIPTION**

FIG. 1 is a front elevational view of a teething mitten showing my new design;  
FIG. 2 is a rear elevational view thereof;  
FIG. 3 is left side view thereof;  
FIG. 4 is a right side view thereof;  
FIG. 5 is a top plan view thereof;  
FIG. 6 is a bottom plan view thereof;  
FIG. 7 is a top, rear and right side perspective view thereof; and  
FIG. 8 is a top, front and right side perspective view thereof; and,  
FIG. 9 is a bottom, front and left side perspective view thereof.  
In the drawings, the broken lines indicate boundaries of the claimed design.

**1 Claim, 9 Drawing Sheets**



(56)

**References Cited**

OTHER PUBLICATIONS

“Prokth Baby Teething Mittens”. Found online Jul. 16, 2019 at amazon.ca. Page dated Sep. 5, 2018. Retrieved from [https://www.amazon.ca/dp/B07H3HPN49/ref=sspa\\_dk\\_detail\\_3?psc=1&pd\\_rd\\_i=B07H3HPN49](https://www.amazon.ca/dp/B07H3HPN49/ref=sspa_dk_detail_3?psc=1&pd_rd_i=B07H3HPN49).\*

“Manyo Teether Lovely Owl Gloves”. Found online Apr. 29, 2019 at amazon.co.uk. Page dated Jun. 21, 2018. Retrieved from [https://www.amazon.co.uk/Manyo-Teether-Pacifier-Teething-Silicone/dp/B07FCPZ5ZX/ref=sr\\_1\\_130?keywords=owl+teether&qid=1556568936&s=baby&sr=1-130](https://www.amazon.co.uk/Manyo-Teether-Pacifier-Teething-Silicone/dp/B07FCPZ5ZX/ref=sr_1_130?keywords=owl+teether&qid=1556568936&s=baby&sr=1-130).\*

“Itzy Ritzy Silicone Teething Mitt: Fox”. Found online Apr. 29, 2019 at amazon.com. Page dated Nov. 12, 2018. Retrieved from [https://www.amazon.com/Itzy-Ritzy-Silicone-Teething-Mitt/dp/B07GY8163L/ref=cm\\_cr\\_arp\\_d\\_product\\_top?ie=UTF8&th=1](https://www.amazon.com/Itzy-Ritzy-Silicone-Teething-Mitt/dp/B07GY8163L/ref=cm_cr_arp_d_product_top?ie=UTF8&th=1).\*

\* cited by examiner

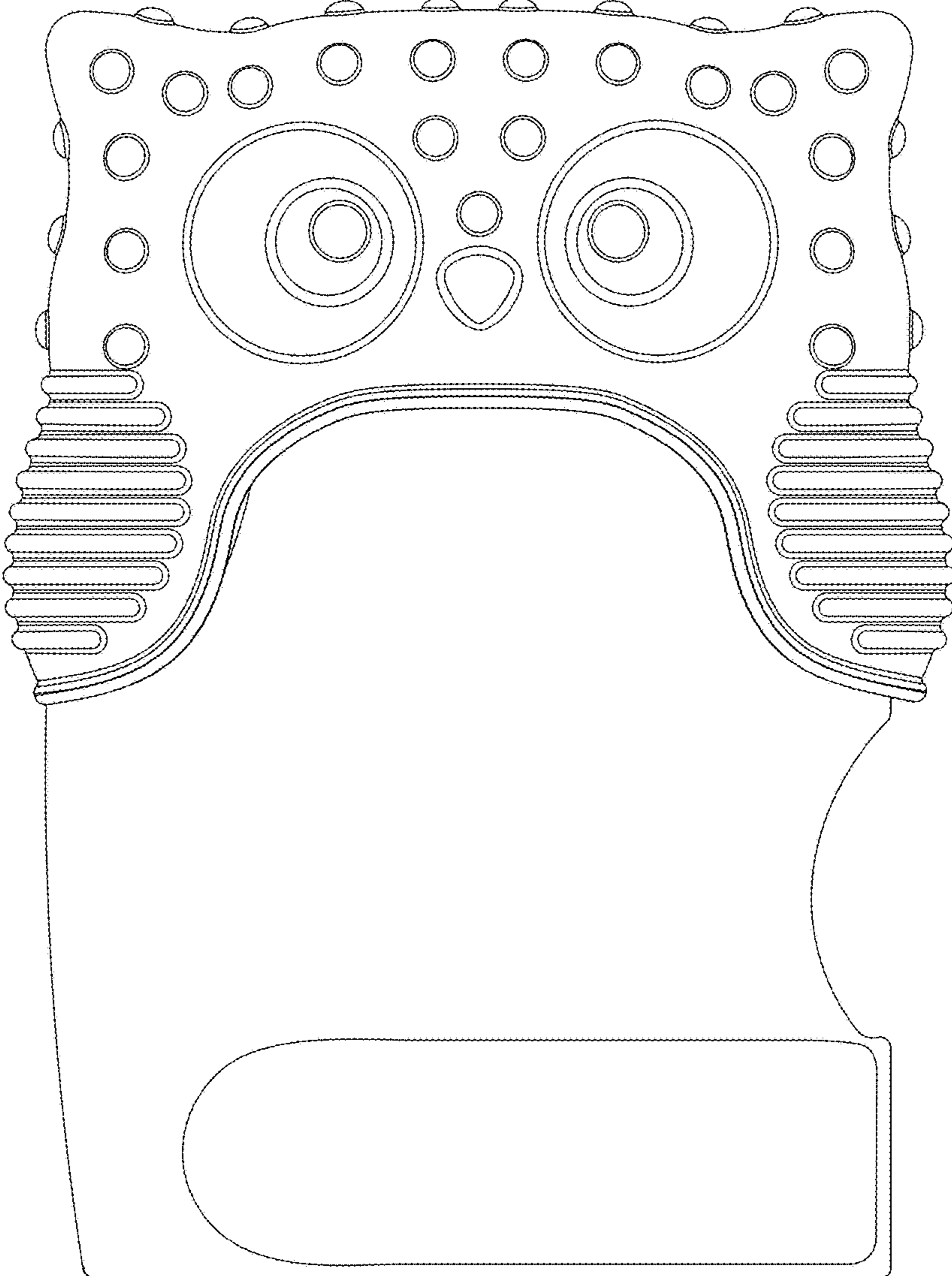


FIG. 1

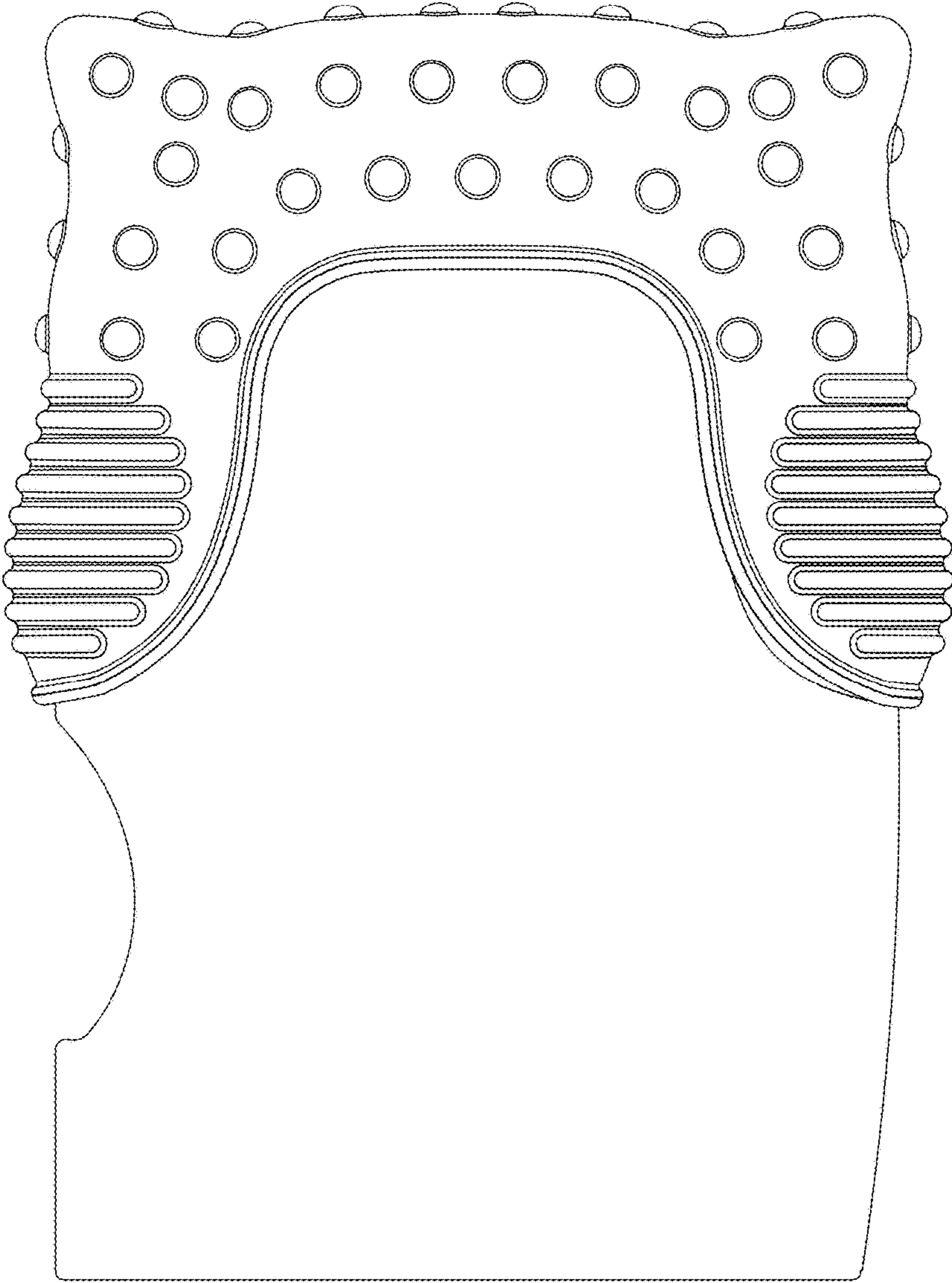


FIG. 2

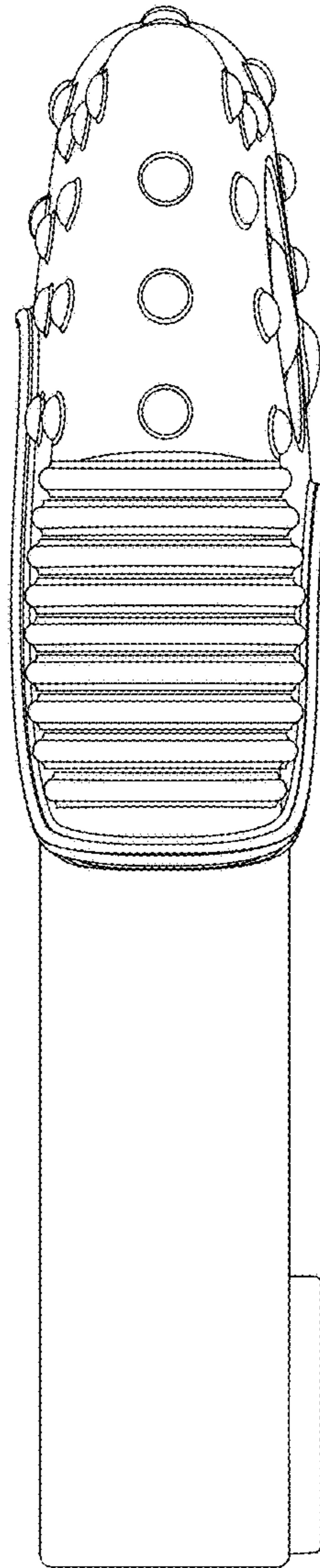


FIG. 3

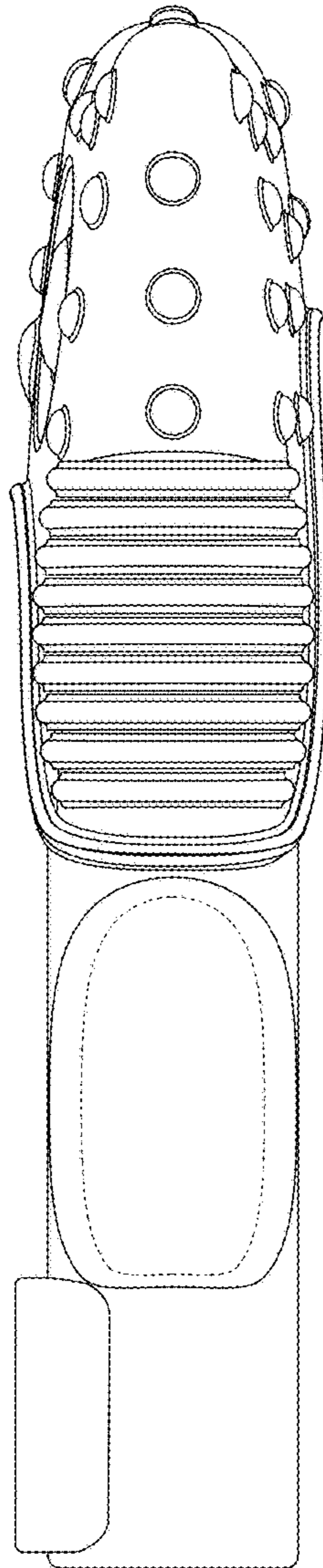


FIG. 4

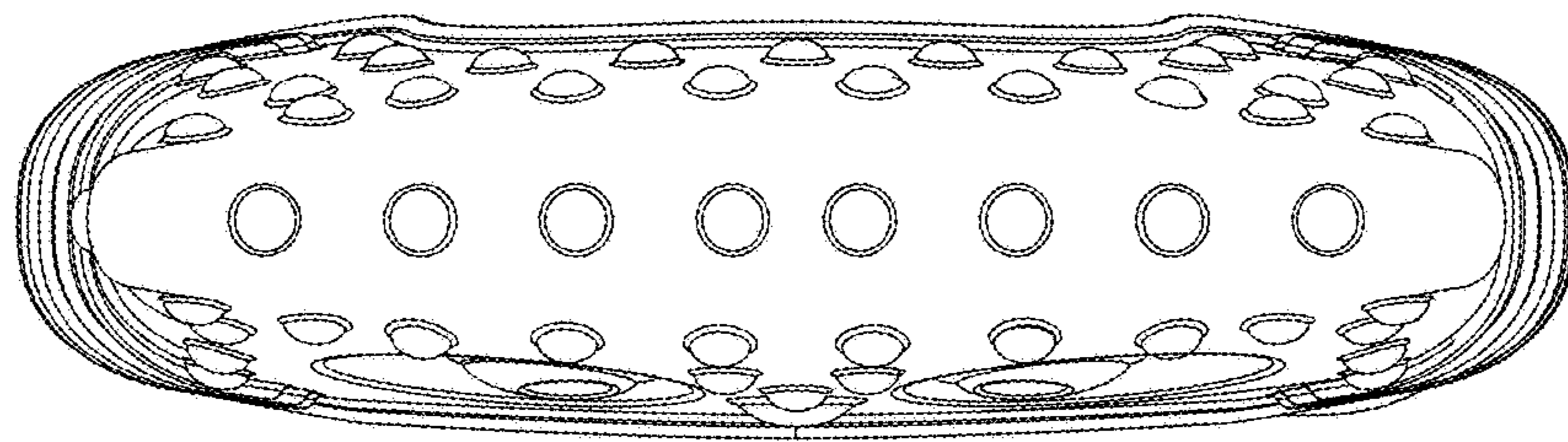


FIG. 5

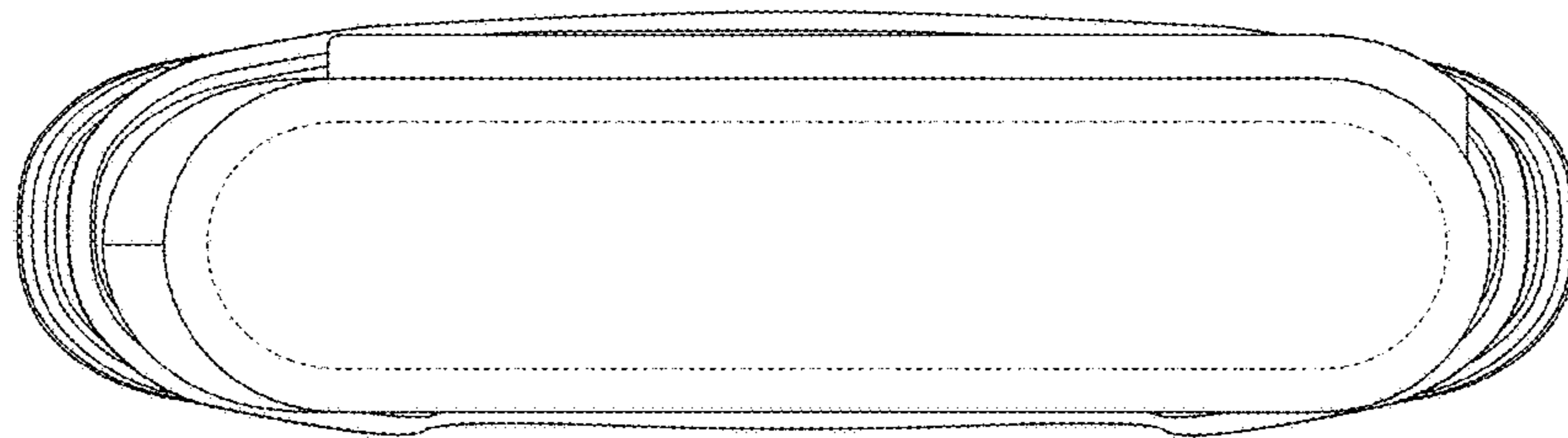


FIG. 6



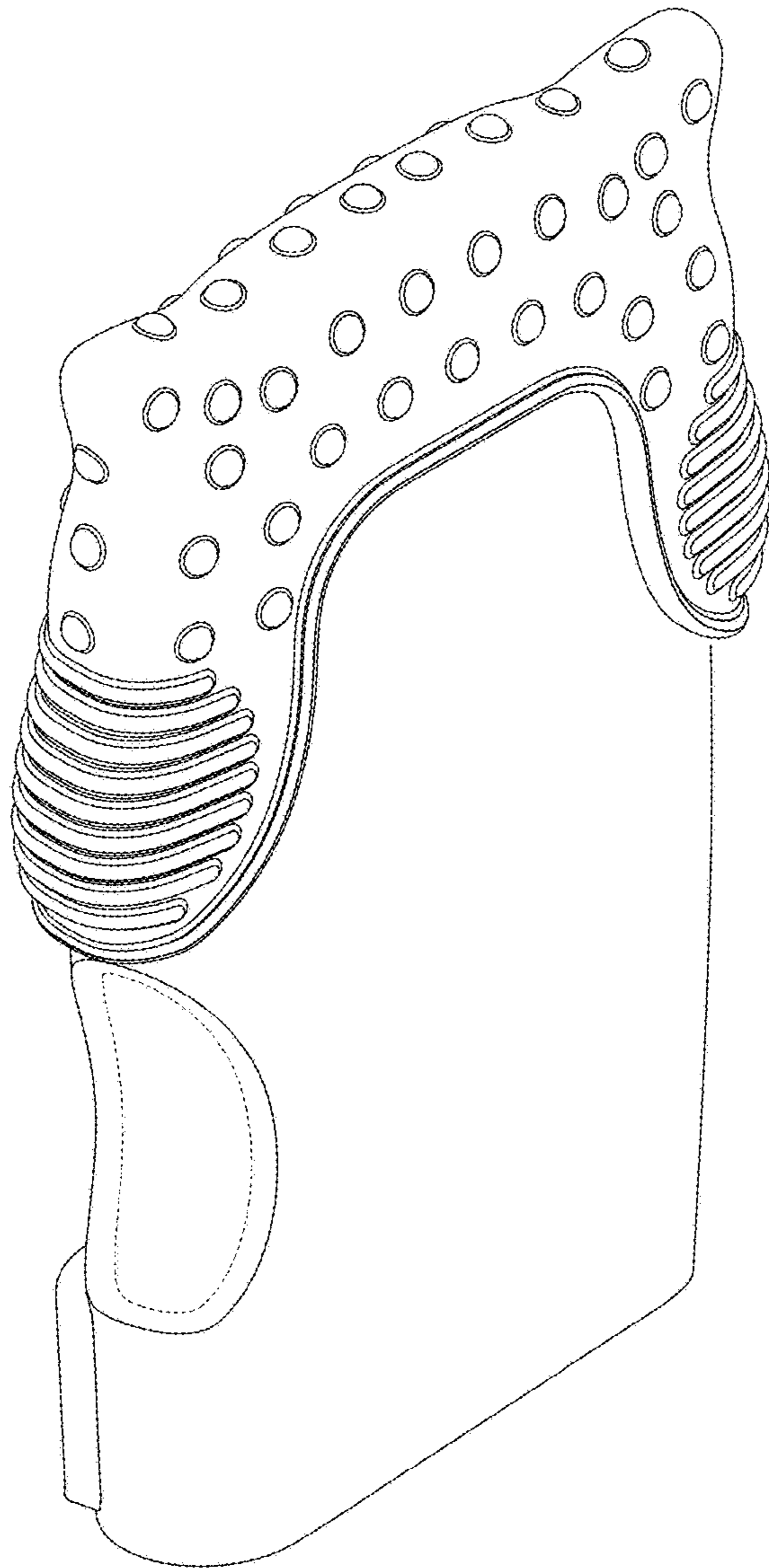


FIG. 7

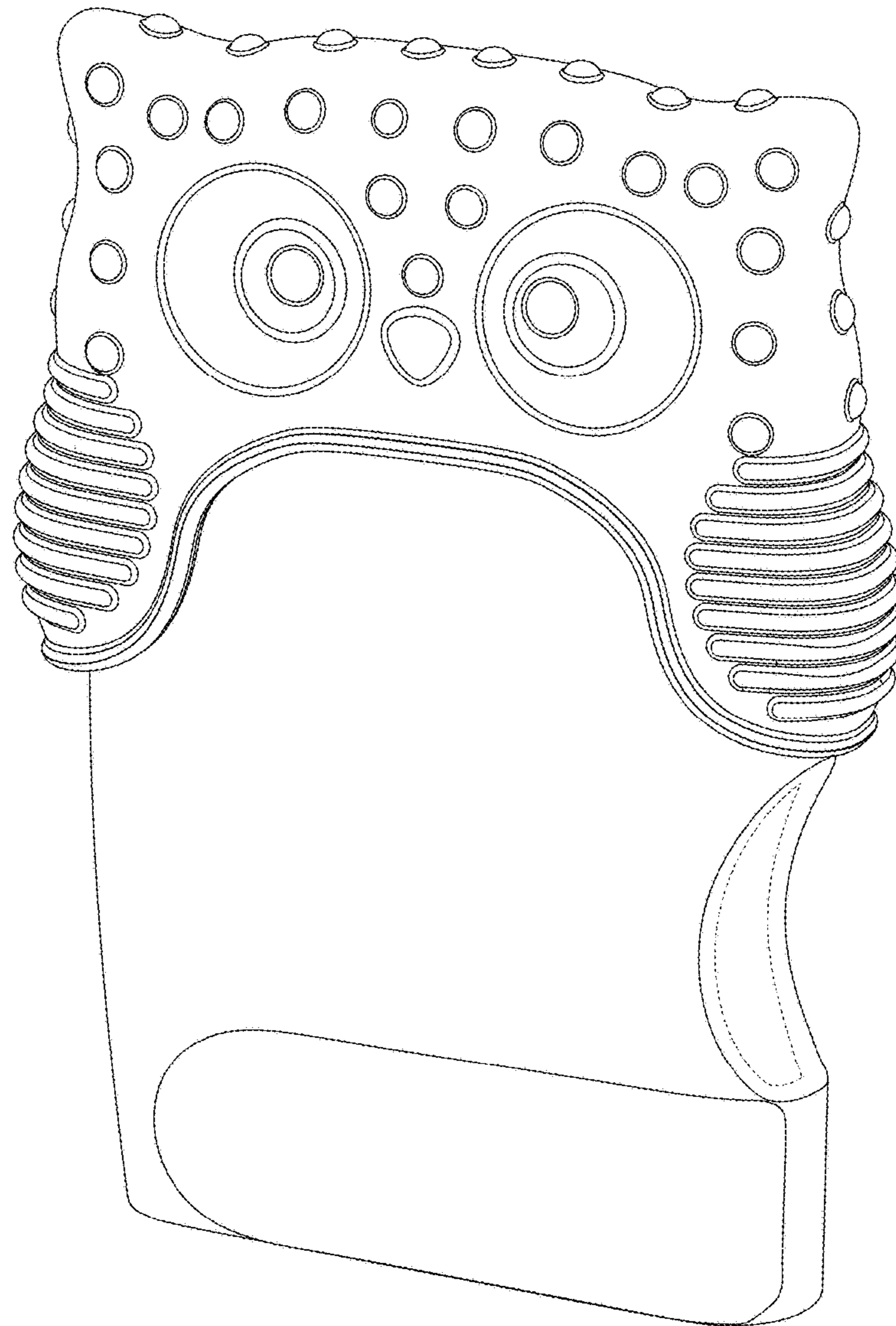


FIG. 8

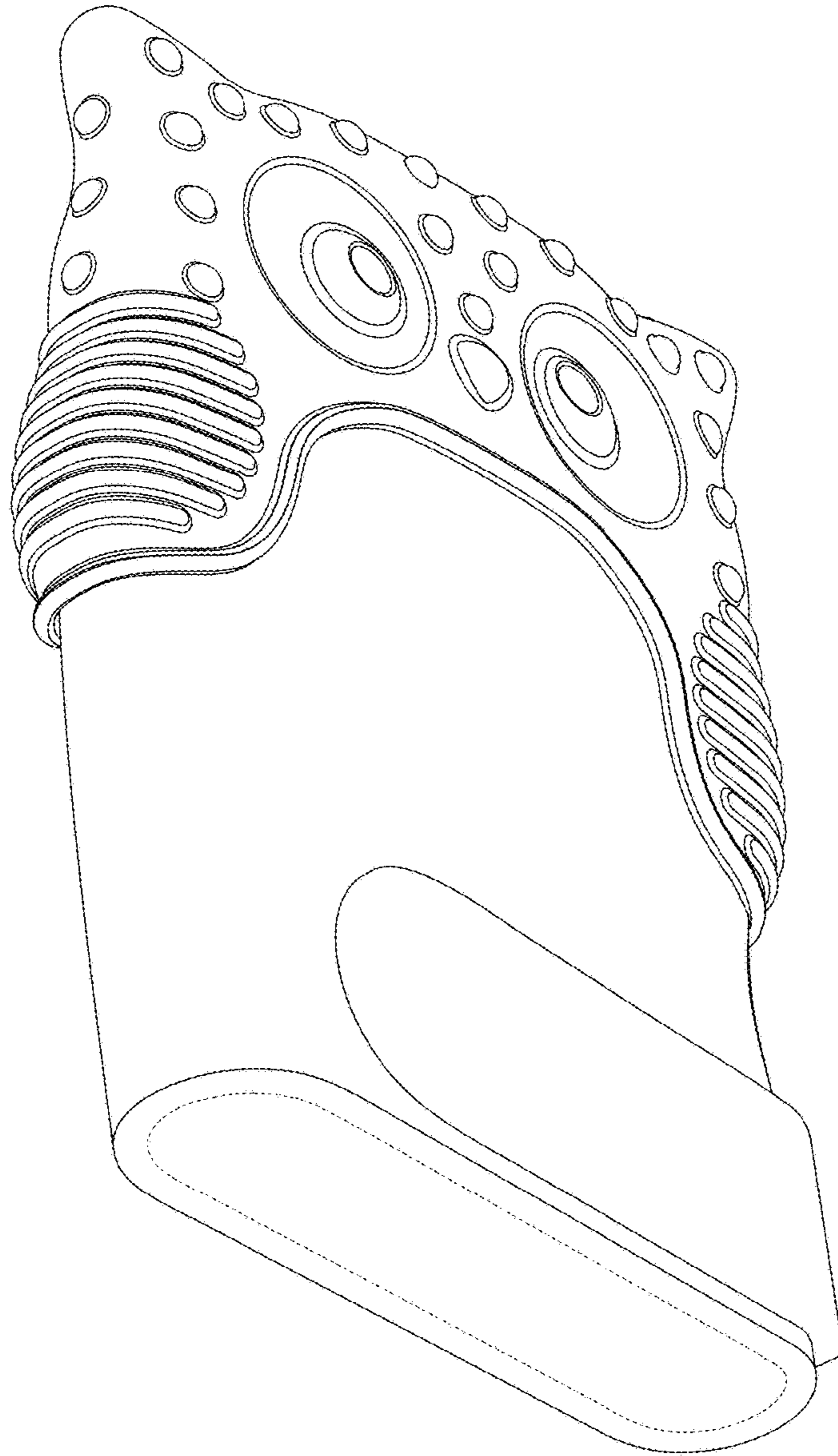


FIG. 9