



US00D866772S

(12) **United States Design Patent**  
**Zhu et al.**

(10) **Patent No.:** **US D866,772 S**

(45) **Date of Patent:** **\*\* Nov. 12, 2019**

(54) **INTELLIGENT DIGITAL FRACTURE FIXED SPLINT**

(71) Applicant: **TIANJIN FUHUA MEDICAL TECHNOLOGY CO. LTD.**, Tianjin (CN)

(72) Inventors: **Hongwen Zhu**, Tianjin (CN); **Guofu Huang**, Tianjin (CN); **Ronghua Dong**, Tianjin (CN); **Tianmou Zhu**, Tianjin (CN)

(73) Assignee: **Tianjin Fuhua Medical Technology Co., Ltd.**, Tianjin (CN)

(\*\*) Term: **15 Years**

(21) Appl. No.: **29/635,216**

(22) Filed: **Jan. 29, 2018**

(51) **LOC (12) Cl.** ..... **24-01**

(52) **U.S. Cl.**  
USPC ..... **D24/190**

(58) **Field of Classification Search**  
USPC ..... D24/188–192  
CPC .. A61F 5/0118; A61F 5/05866; A61F 5/0111;  
A61F 5/01; A61F 5/012; A61F 5/0102;  
A61F 5/0195  
See application file for complete search history.

(56) **References Cited**

**U.S. PATENT DOCUMENTS**

5,733,249 A \* 3/1998 Katzin ..... A61F 5/0106  
602/21  
6,328,706 B1 \* 12/2001 Yattavong ..... A61F 5/05866  
128/878

D477,088 S \* 7/2003 Brown ..... A61F 5/0118  
D24/190  
D581,539 S \* 11/2008 Rotter ..... D24/190  
D588,704 S \* 3/2009 Duplessie ..... D24/190  
D617,464 S \* 6/2010 Weaver, II ..... D24/190  
D848,005 S \* 5/2019 Adams ..... D24/190  
2018/0055672 A1 \* 3/2018 Erwin ..... A61F 5/0118

\* cited by examiner

*Primary Examiner* — Jennifer L Watkins

(74) *Attorney, Agent, or Firm* — CBM Patent Consulting, LLC

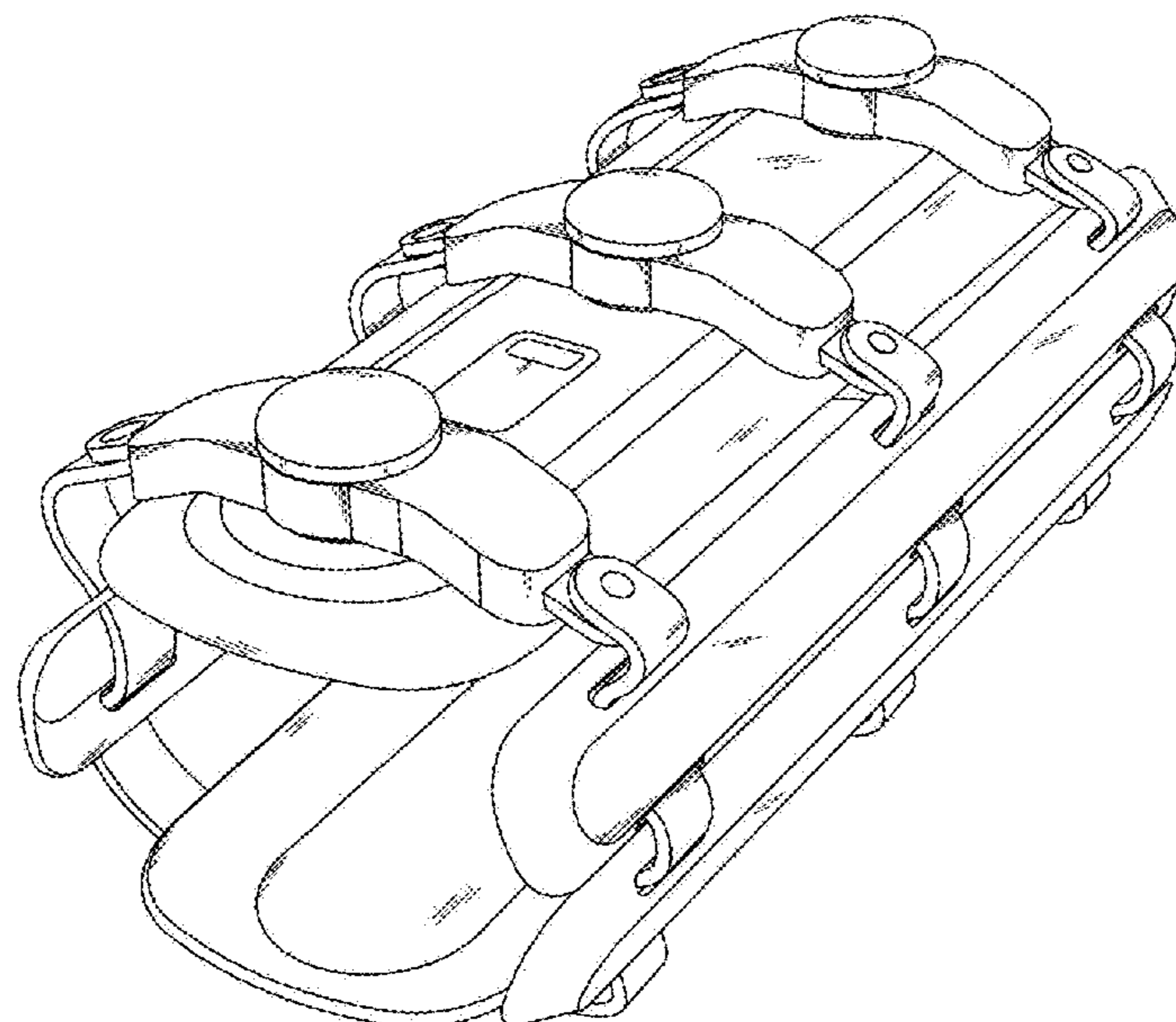
(57) **CLAIM**

The ornamental design for an intelligent digital fracture fixed splint, as shown and described.

**DESCRIPTION**

FIG. 1 is a top view of an intelligent digital fracture fixed splint showing my new design;  
FIG. 2 is a bottom view thereof;  
FIG. 3 is a front view thereof;  
FIG. 4 is a rear view thereof;  
FIG. 5 is a left side elevational view thereof;  
FIG. 6 is a right side elevational view thereof; and,  
FIG. 7 is a perspective view thereof.

**1 Claim, 5 Drawing Sheets**



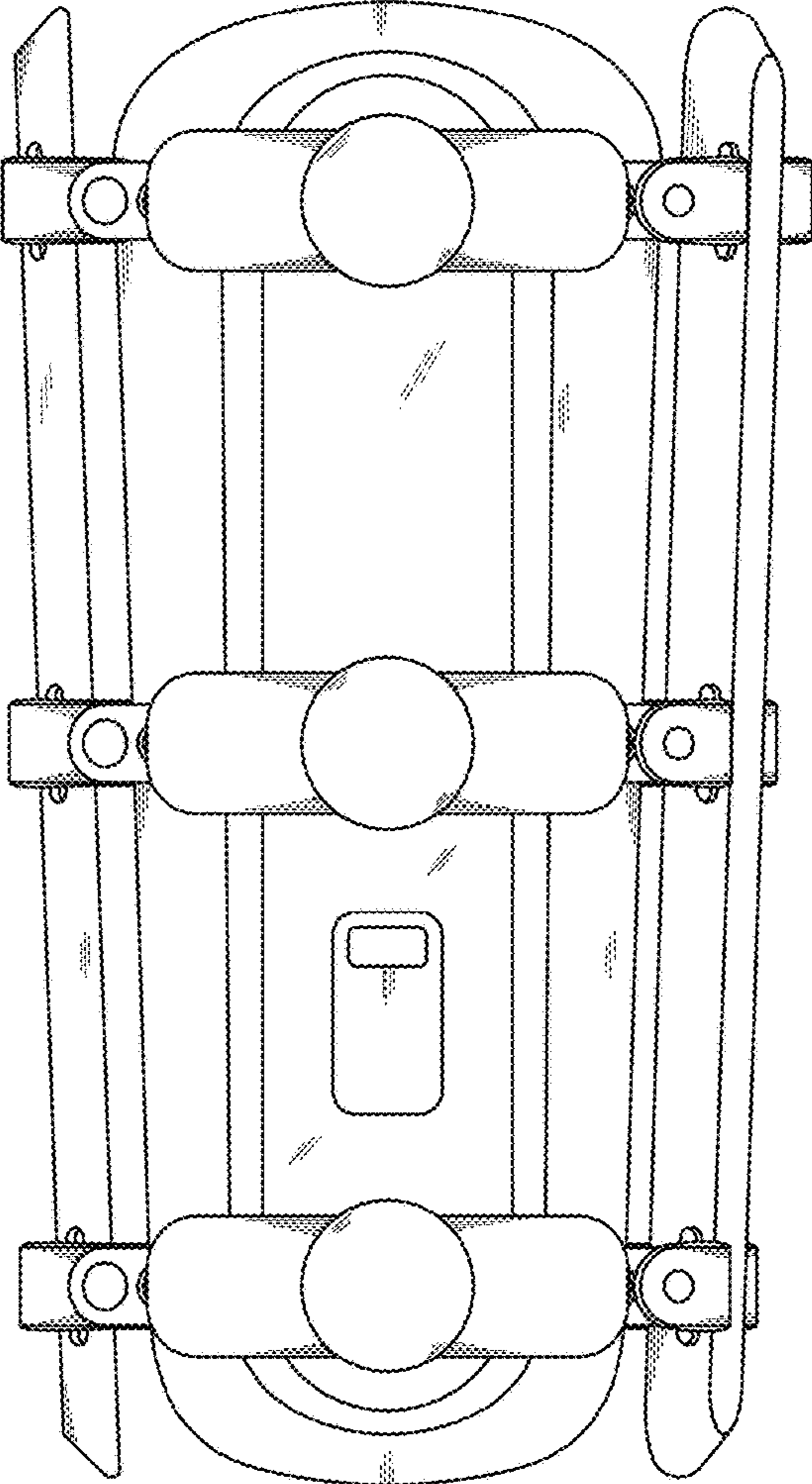


FIG. 1

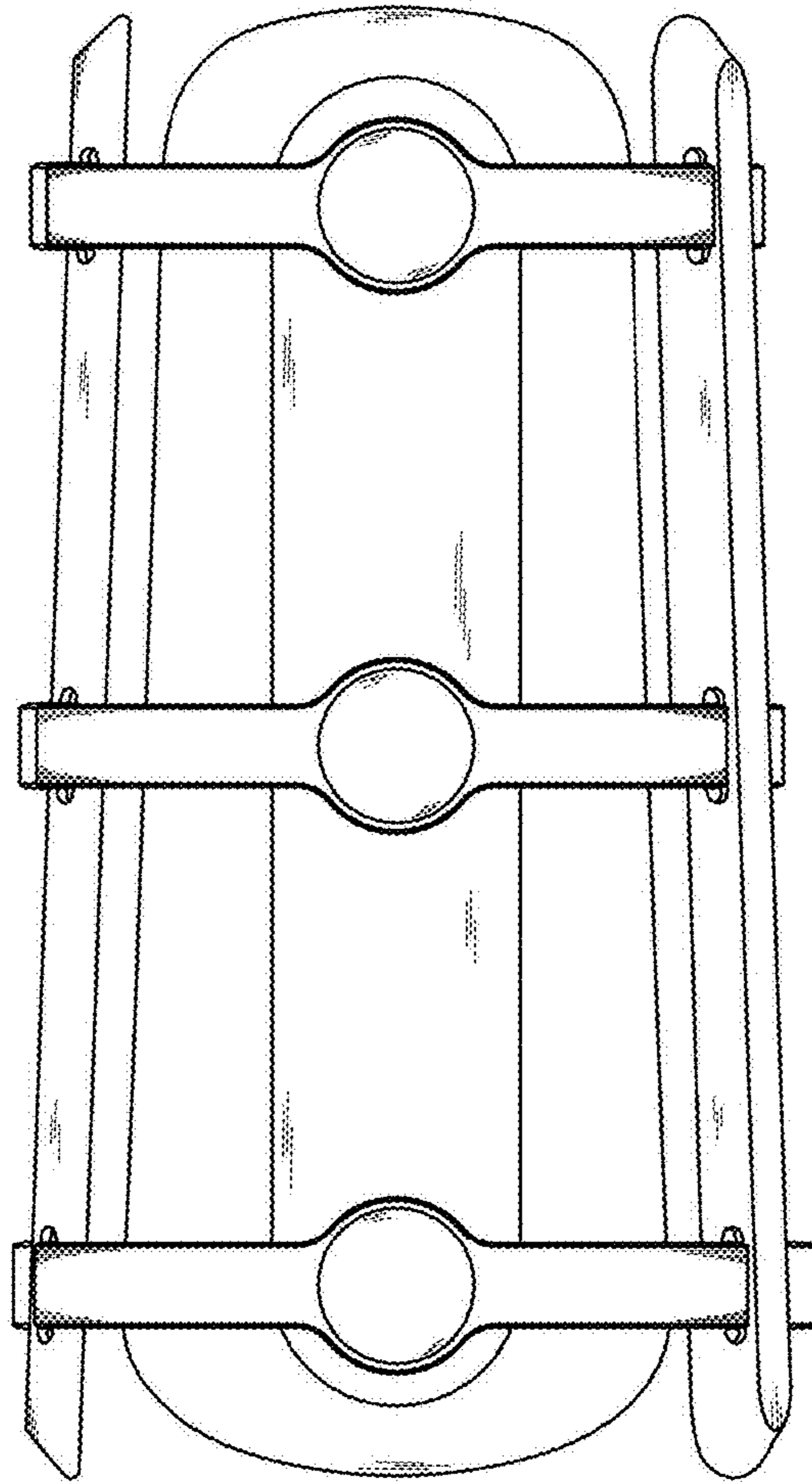


FIG. 2

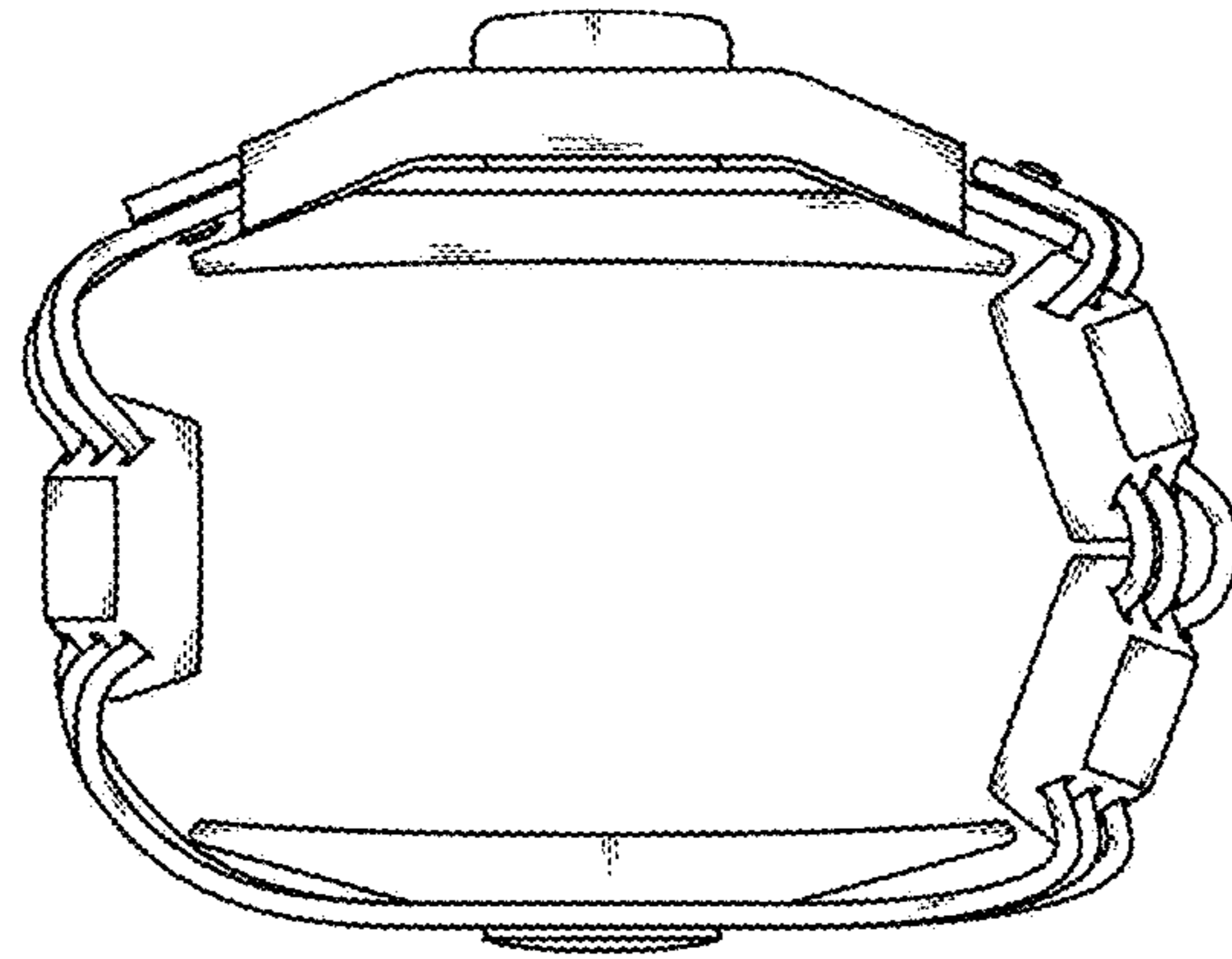


FIG. 3

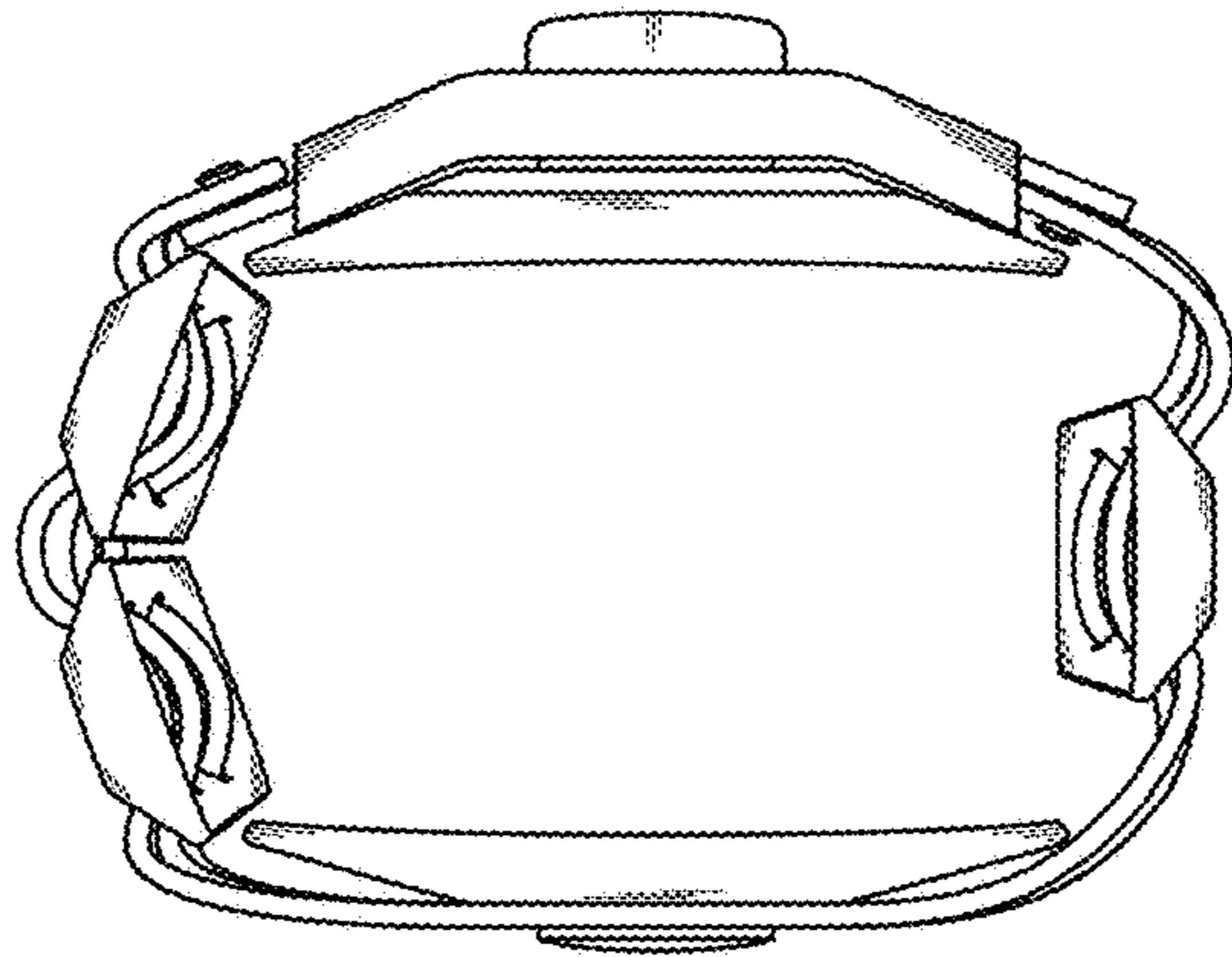


FIG. 4



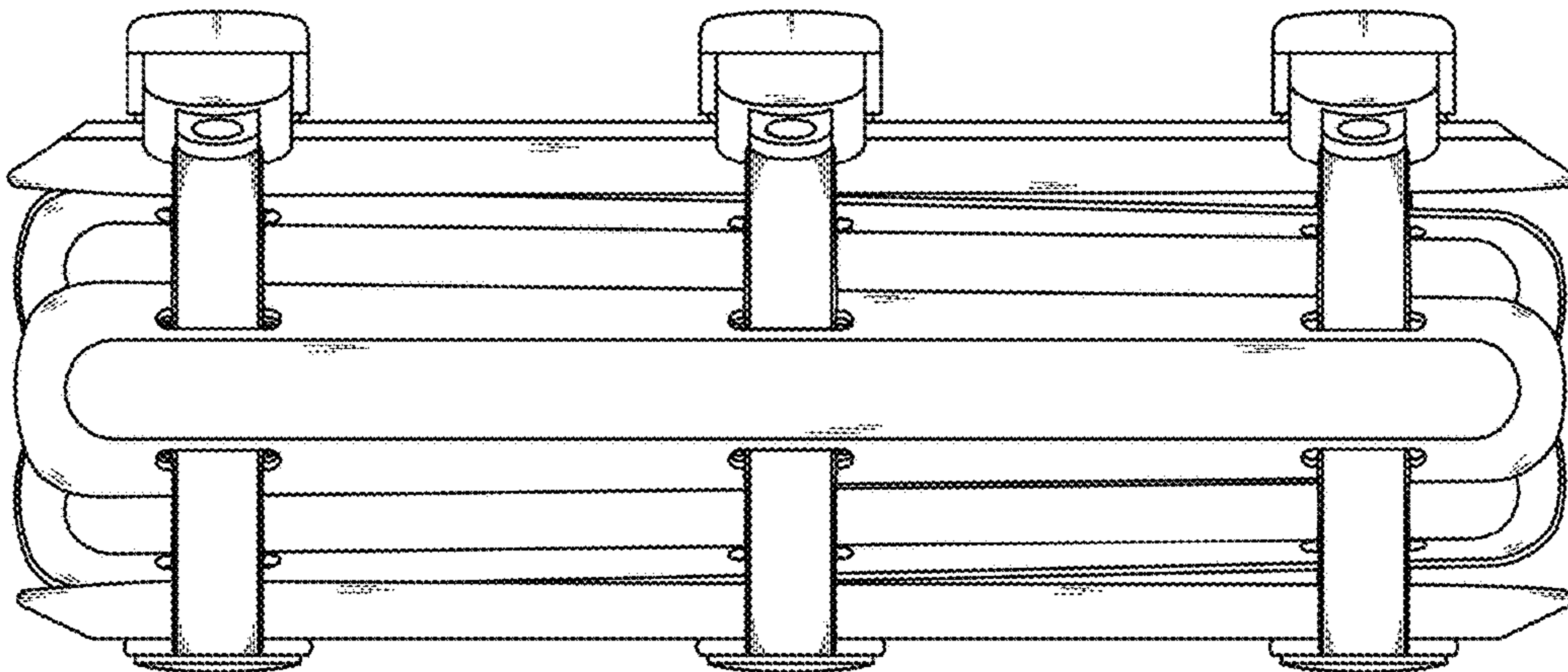


FIG. 5

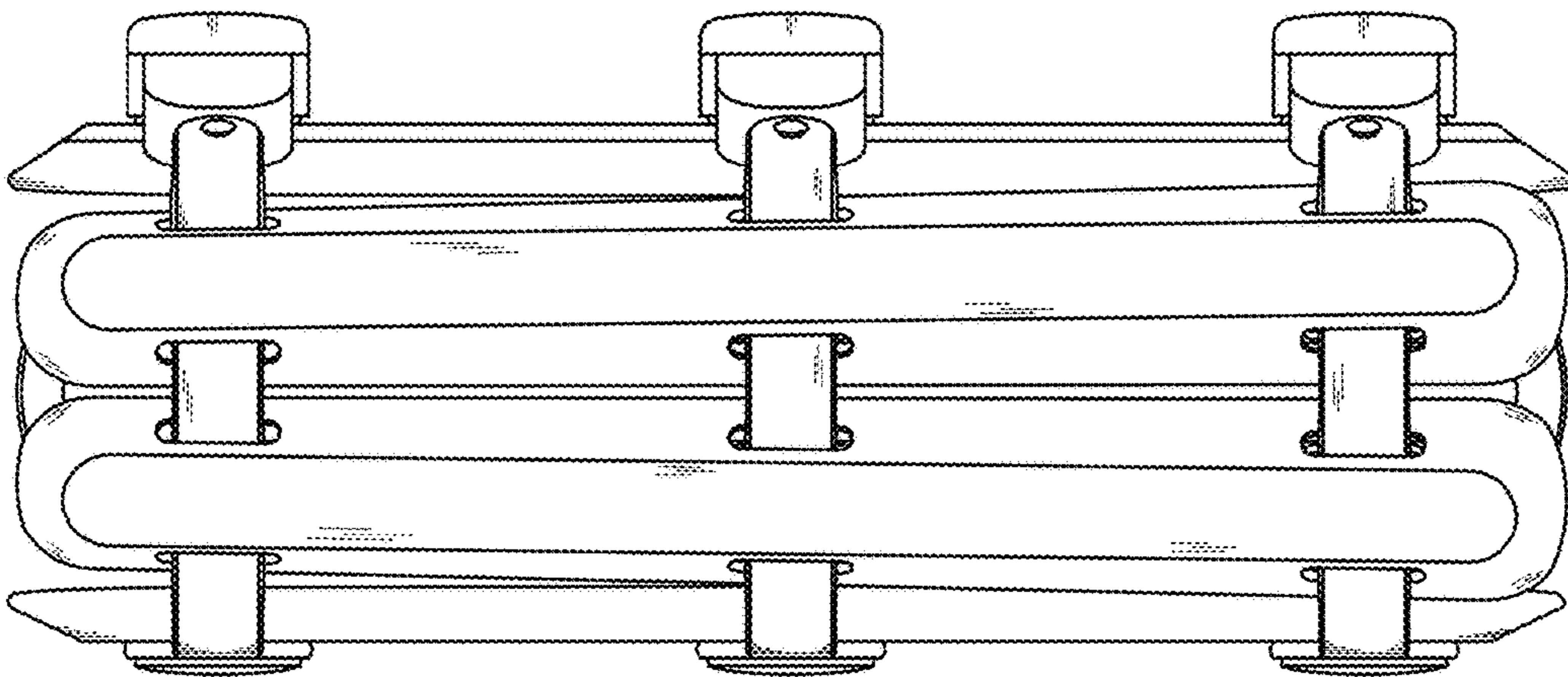


FIG. 6

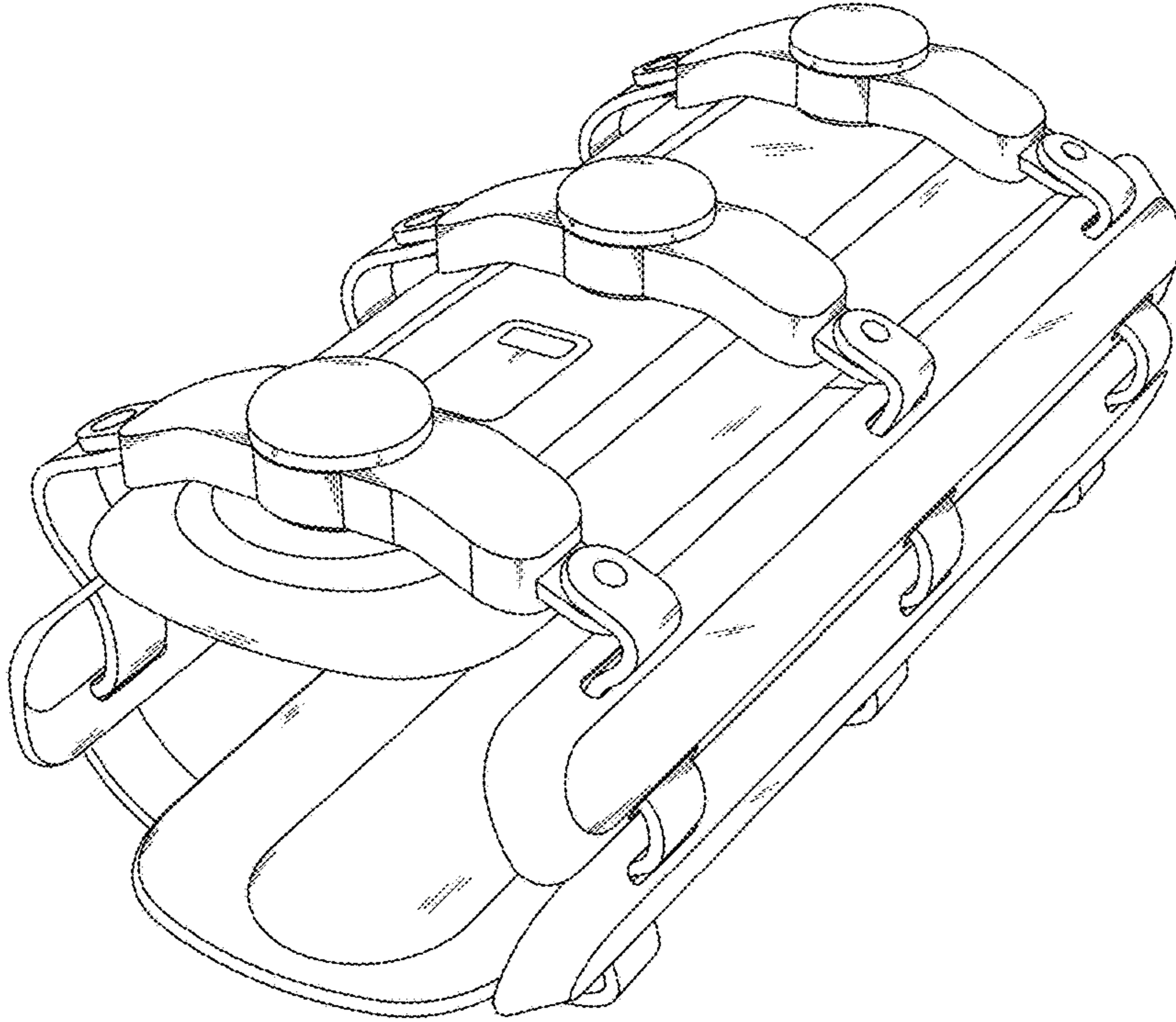


FIG. 7