



US00D866771S

(12) **United States Design Patent**
Zhu et al.

(10) **Patent No.:** **US D866,771 S**

(45) **Date of Patent:** **** Nov. 12, 2019**

(54) **INTELLIGENT DIGITAL FRACTURE FIXED SPLINT**

(71) Applicant: **TIANJIN FUHUA MEDICAL TECHNOLOGY CO. LTD.**, Tianjin (CN)

(72) Inventors: **Hongwen Zhu**, Tianjin (CN); **Guofu Huang**, Tianjin (CN); **Ronghua Dong**, Tianjin (CN); **Tianmou Zhu**, Tianjin (CN)

(73) Assignee: **Tianjin Fuhua Medical Technology Co., Ltd.**, Tianjin (CN)

(**) Term: **15 Years**

(21) Appl. No.: **29/635,214**

(22) Filed: **Jan. 29, 2018**

(51) **LOC (12) Cl.** **24-01**

(52) **U.S. Cl.**
USPC **D24/190**

(58) **Field of Classification Search**
USPC D24/188–192
CPC .. A61F 5/0118; A61F 5/05866; A61F 5/0111;
A61F 5/01; A61F 5/012; A61F 5/0102;
A61F 5/0195
See application file for complete search history.

(56) **References Cited**

U.S. PATENT DOCUMENTS

5,733,249 A * 3/1998 Katzin A61F 5/0106
602/21
6,328,706 B1 * 12/2001 Yattavong A61F 5/05866
128/878

D477,088 S * 7/2003 Brown A61F 5/0118
D24/190
D581,539 S * 11/2008 Rotter D24/190
D588,704 S * 3/2009 Duplessie D24/190
D617,464 S * 6/2010 Weaver, II D24/190
D848,005 S * 5/2019 Adams D24/190
2018/0055672 A1 * 3/2018 Erwin A61F 5/0118

* cited by examiner

Primary Examiner — Jennifer L Watkins

(74) *Attorney, Agent, or Firm* — CBM Patent Consulting, LLC

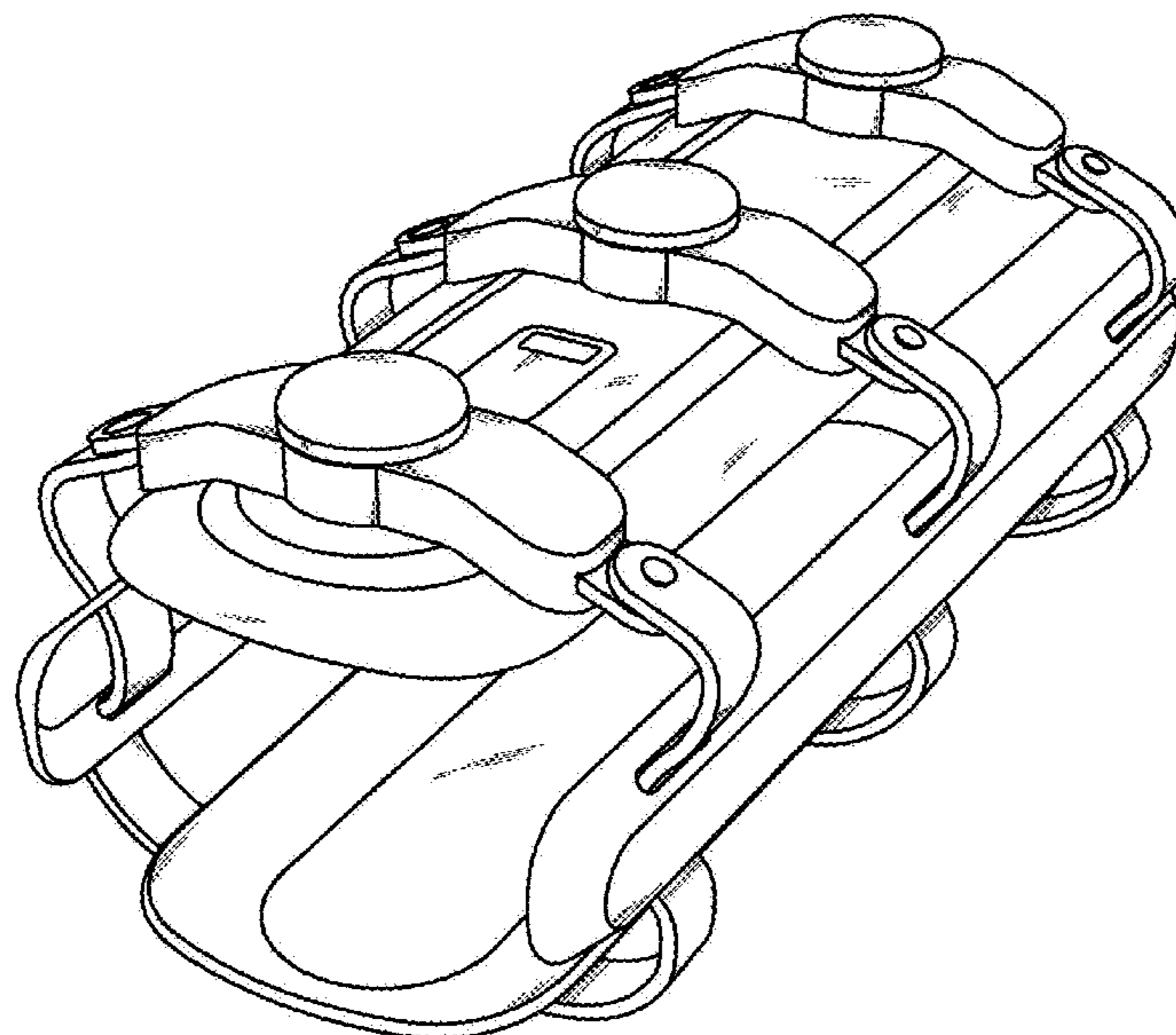
(57) **CLAIM**

The ornamental design for an intelligent digital fracture fixed splint, as shown and described.

DESCRIPTION

FIG. 1 is a top view of an intelligent digital fracture fixed splint showing my new design;
FIG. 2 is a bottom view thereof;
FIG. 3 is a front view thereof;
FIG. 4 is a rear view thereof;
FIG. 5 is a left side elevational view thereof;
FIG. 6 is a right side elevational view thereof; and,
FIG. 7 is a perspective view thereof.

1 Claim, 5 Drawing Sheets



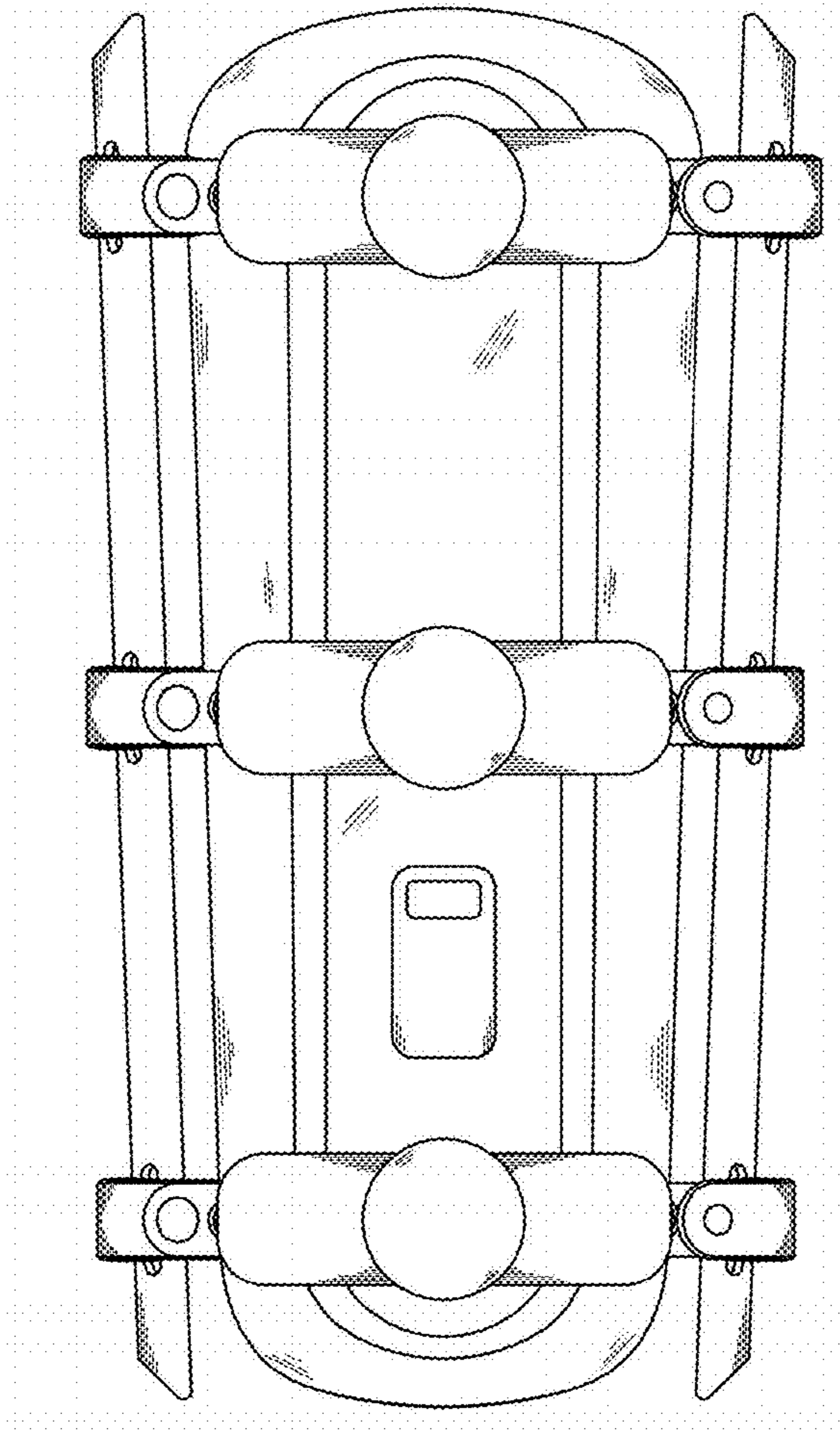


FIG. 1

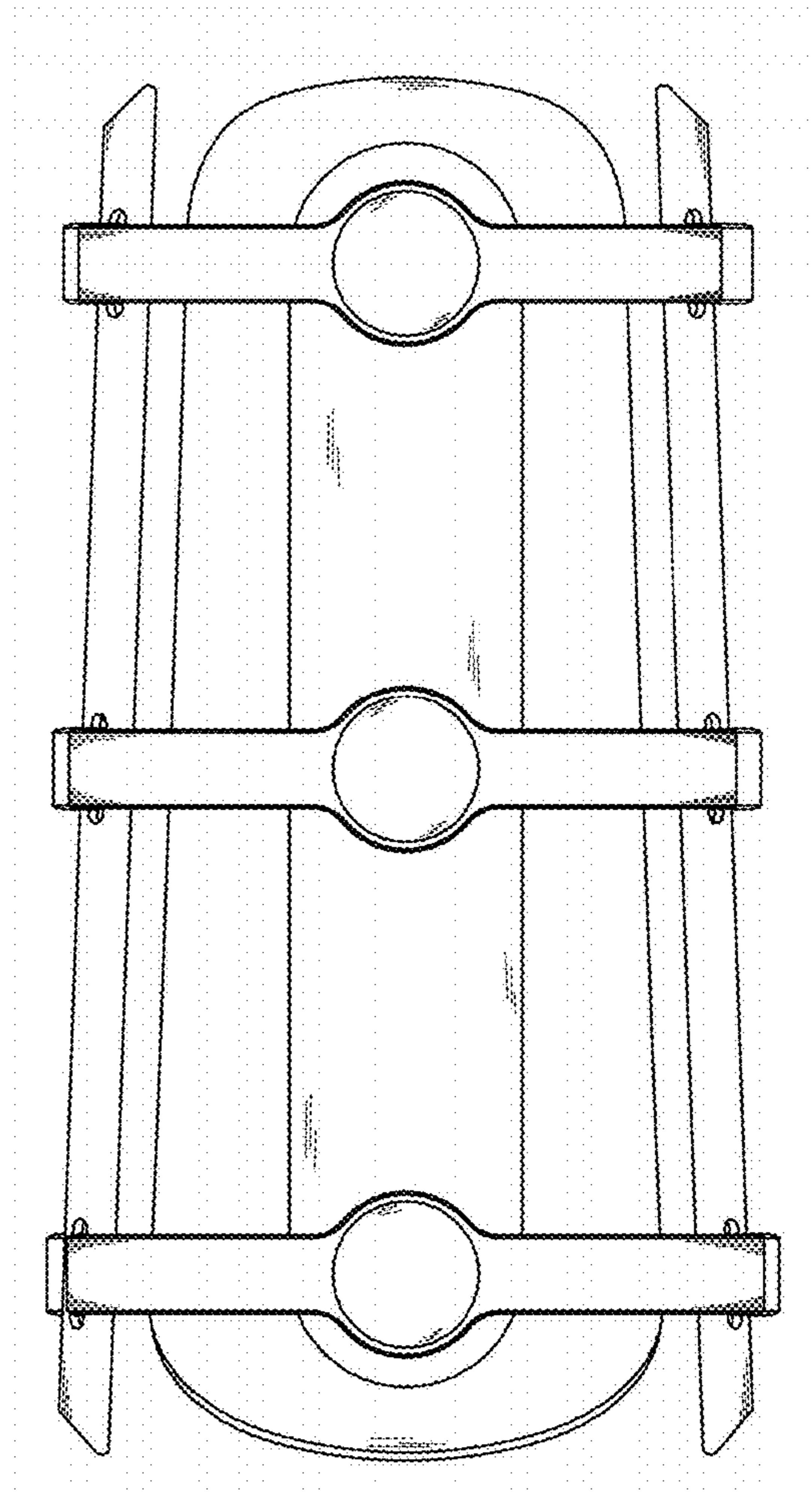


FIG. 2

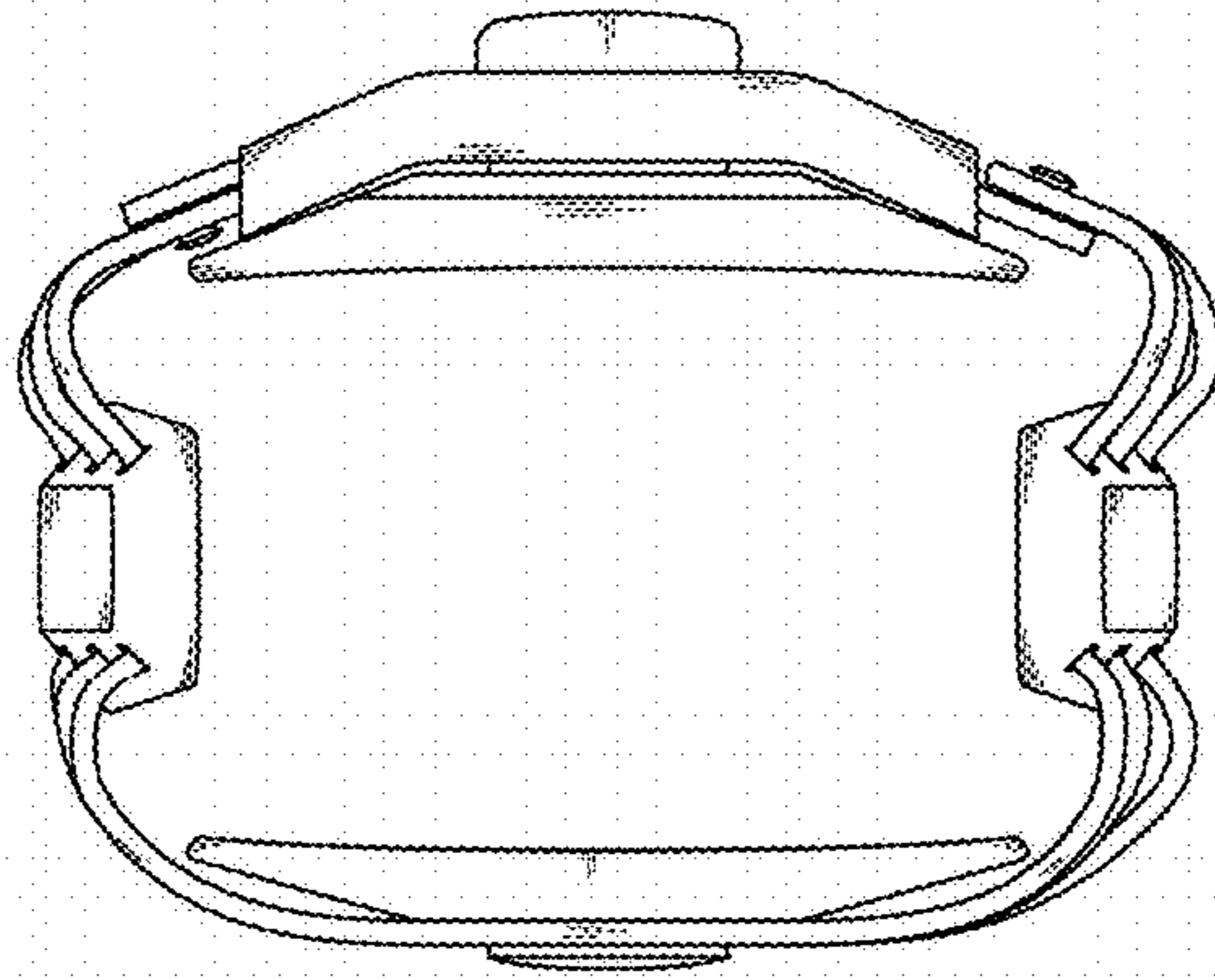


FIG. 3

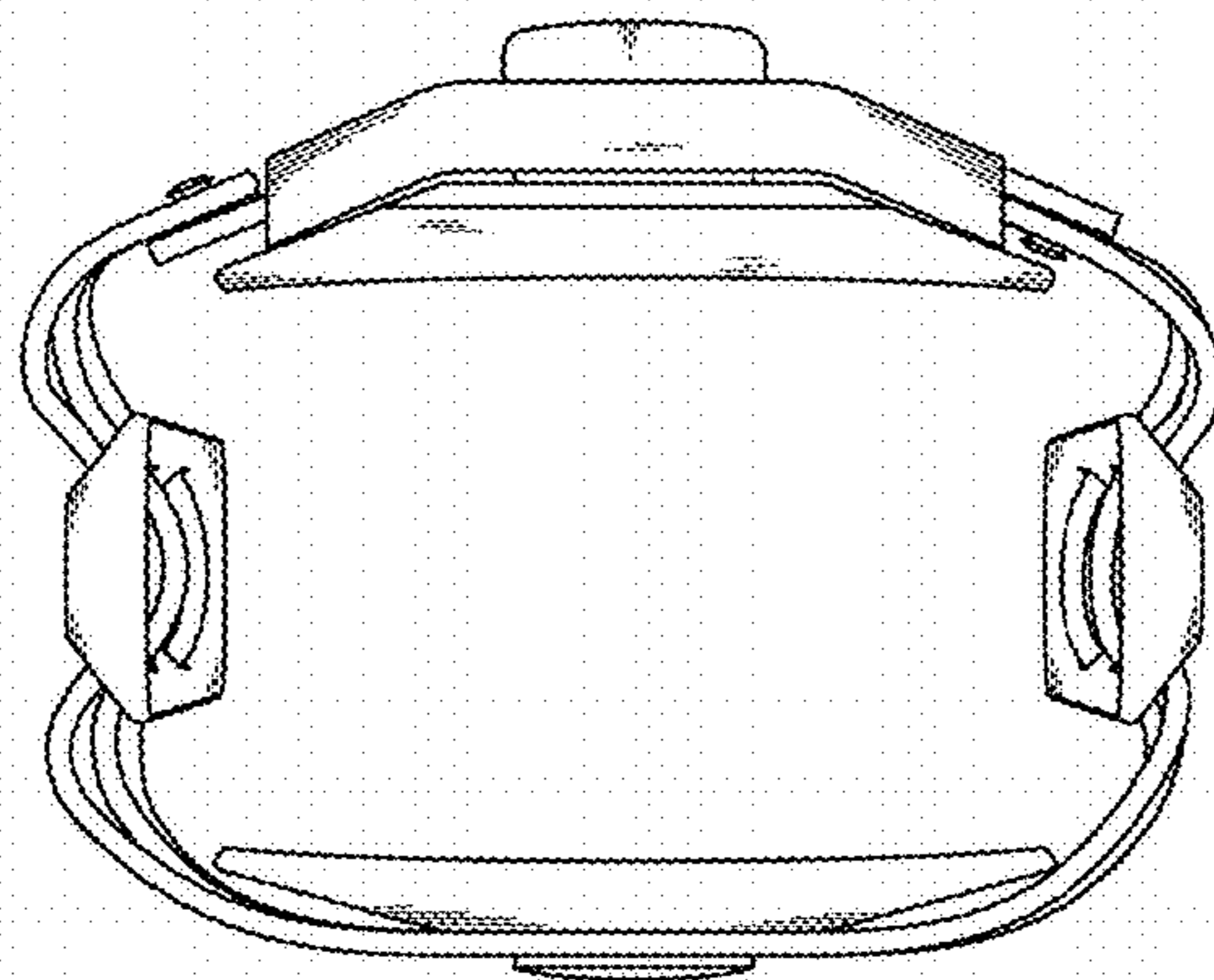


FIG. 4

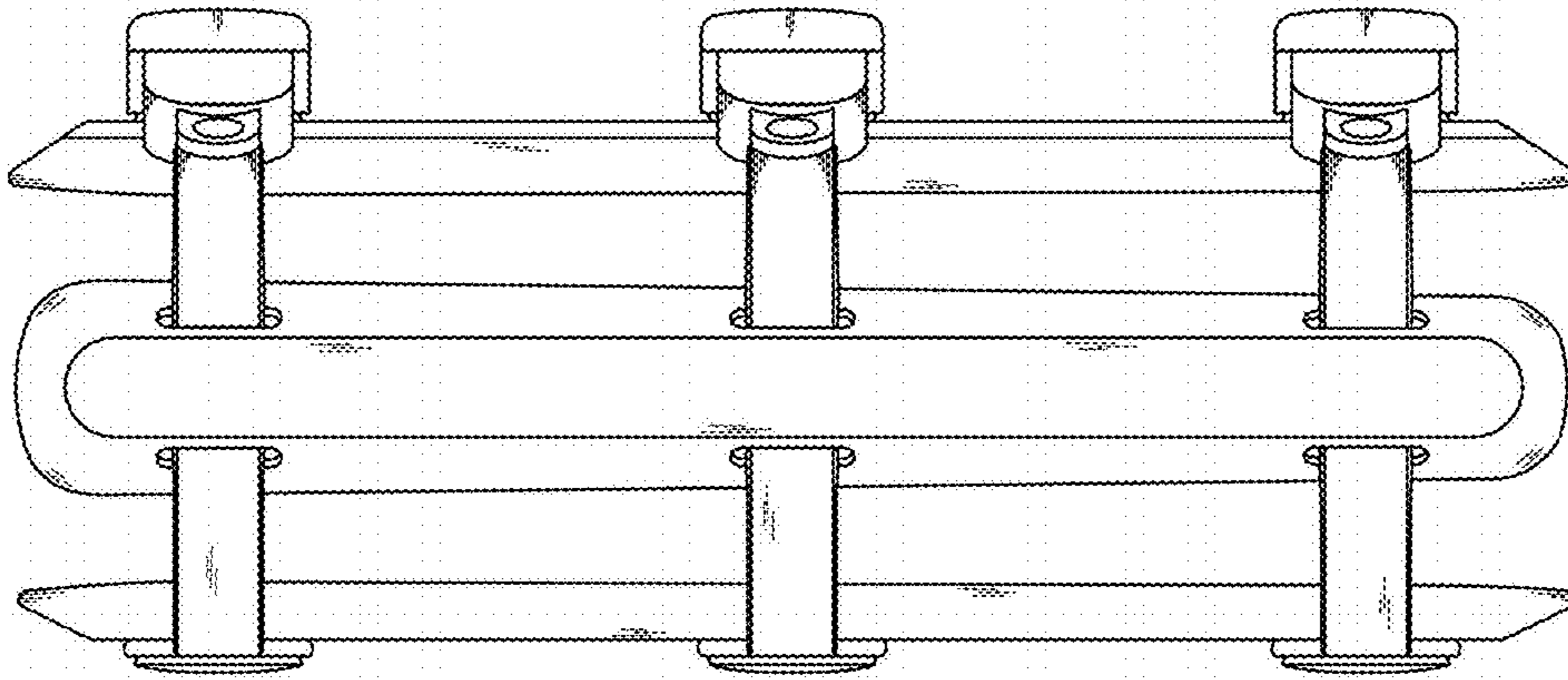


FIG. 5

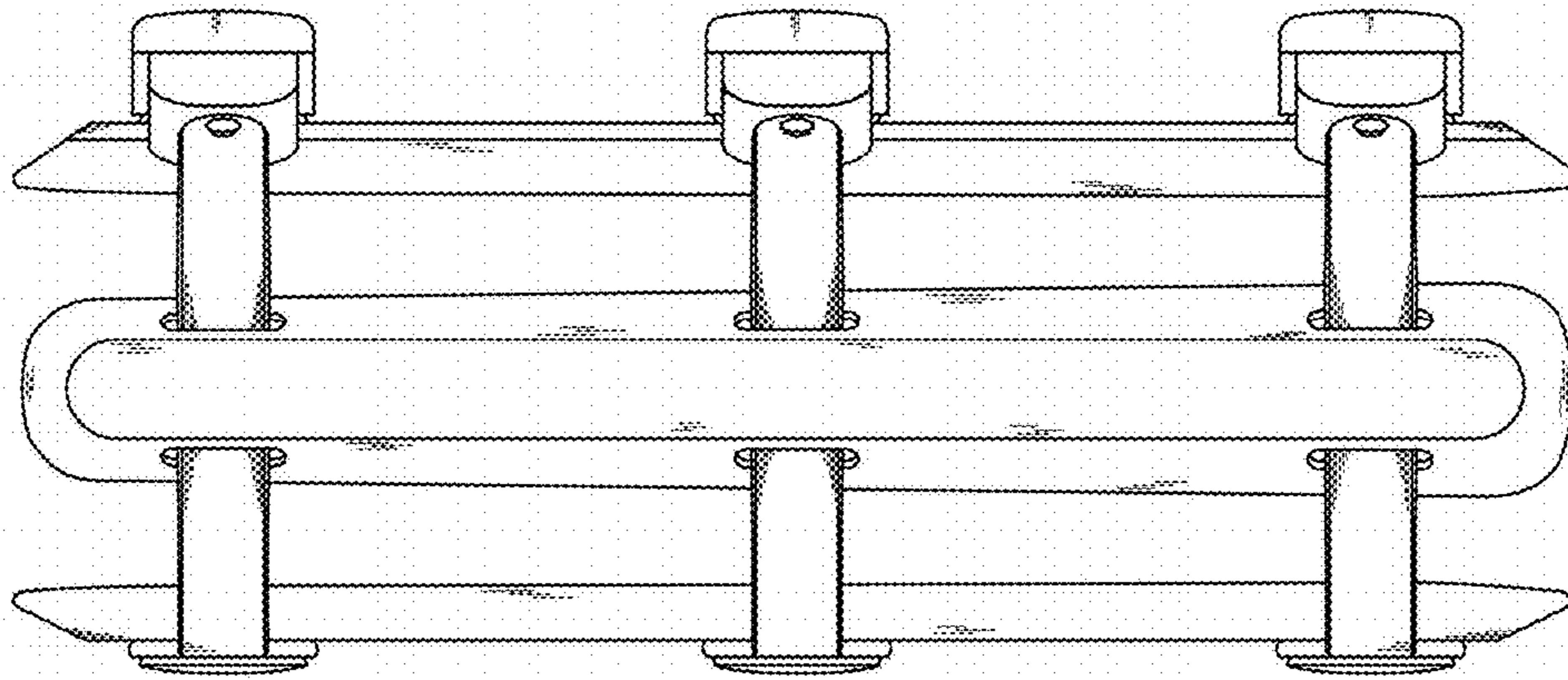


FIG. 6

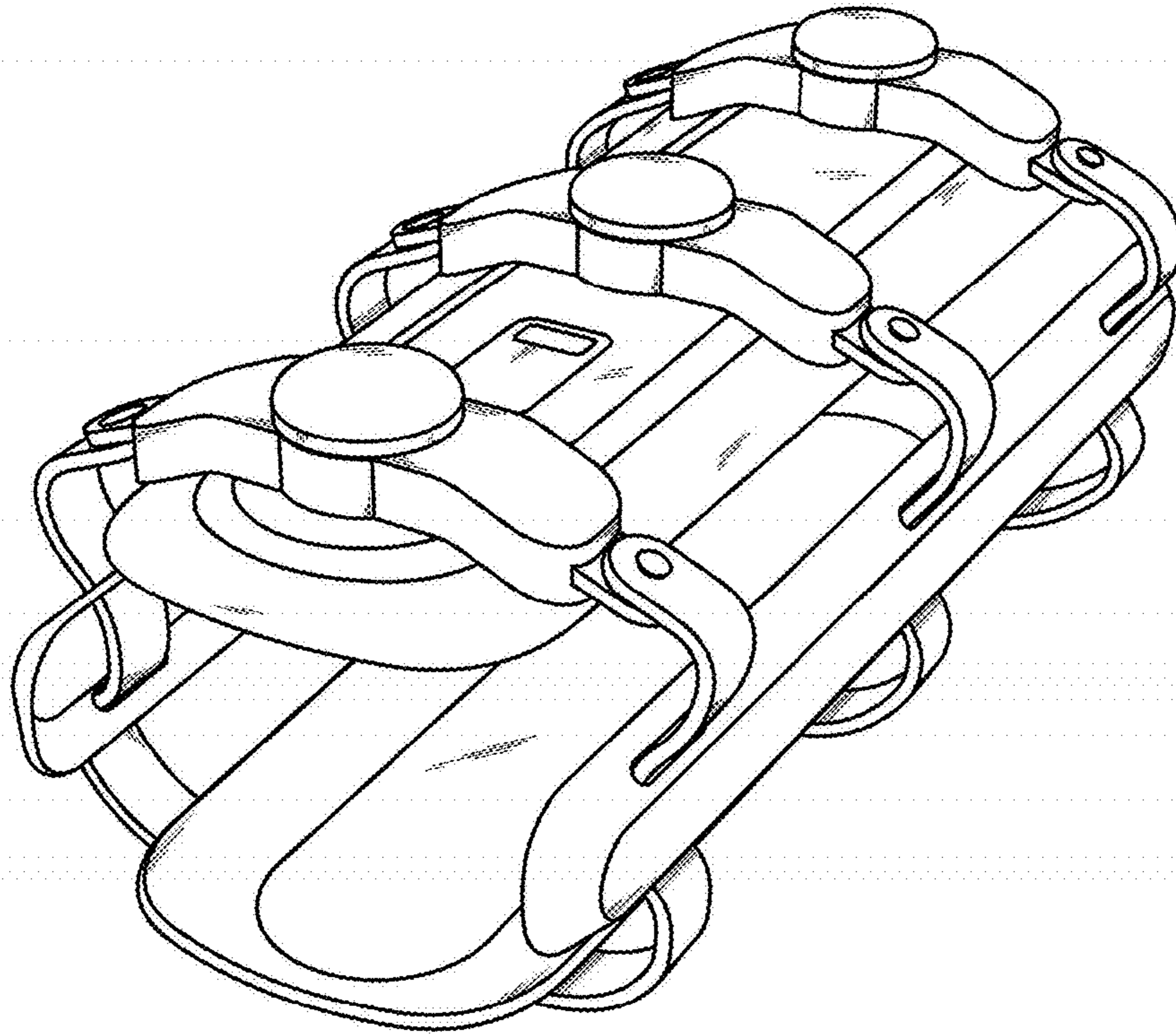


FIG. 7