

US00D866768S

(12) **United States Design Patent** (10) **Patent No.:** **US D866,768 S**  
**Zhou** (45) **Date of Patent:** **\*\* Nov. 12, 2019**

(54) **INTERDENTAL BRUSH**  
(71) Applicant: **Guangzhou T.K Medical Instrument Co., Ltd.**, Guangzhou (CN)  
(72) Inventor: **Xing Zhou**, Guangzhou (CN)  
(73) Assignee: **GUANGZHOU T.K MEDICAL INSTRUMENT CO.**, Guangzhou, Guangdong (CN)  
(\*\*) Term: **15 Years**  
(21) Appl. No.: **29/658,524**  
(22) Filed: **Jul. 31, 2018**

**Related U.S. Application Data**

(63) Continuation of application No. 29/590,947, filed on Jan. 13, 2017, now Pat. No. Des. 827,834.

**Foreign Application Priority Data**

Jul. 15, 2016 (CN) ..... 2016 3 0325843  
(51) **LOC (12) Cl.** ..... **24-02**  
(52) **U.S. Cl.**  
USPC ..... **D24/176**  
(58) **Field of Classification Search**  
USPC ..... D24/152, 176-177, 108, 111-113;  
D4/108  
CPC ..... A61C 15/00; A61C 17/00; A61C 17/005;  
A61C 17/02; A61C 17/0202; A61C  
17/0205; A61C 17/211; A61C 17/0214;  
A61C 17/028; A61C 17/20; A61C 17/28;  
A61C 17/36

See application file for complete search history.

(56) **References Cited**  
U.S. PATENT DOCUMENTS  
D346,212 S \* 4/1994 Hosl ..... D24/176  
D371,242 S \* 7/1996 Shimatsu ..... D4/108  
D373,631 S \* 9/1996 Maeda ..... D24/176  
5,634,791 A \* 6/1997 Matsuura ..... A61C 17/02  
433/87  
5,928,505 A \* 7/1999 Inakagata ..... A61C 17/02  
204/228.1  
D441,861 S \* 5/2001 Hafliger ..... D24/111  
D778,433 S \* 2/2017 Li ..... D24/111  
D795,419 S \* 8/2017 Kohler ..... D24/111  
D828,567 S \* 9/2018 Zhou ..... D24/176

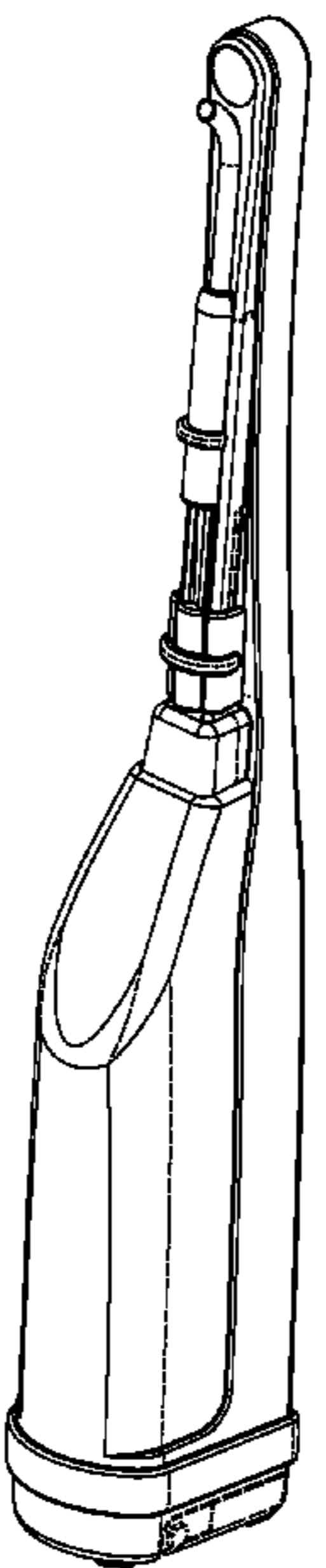
\* cited by examiner

*Primary Examiner* — Wan Laymon  
(74) *Attorney, Agent, or Firm* — Morgan, Lewis & Bockius LLP

(57) **CLAIM**  
The ornamental design for an interdental brush, as shown and described.

**DESCRIPTION**  
FIG. 1 is a perspective view of an interdental brush at a first position;  
FIG. 2 is a perspective view of the design of FIG. 1 at a second position;  
FIG. 3 is a right side view of the design of FIG. 1.  
FIG. 4 is a left side view of the design of FIG. 1.  
FIG. 5 is a front side view of the design of FIG. 1.  
FIG. 6 is a rear side view of the design of FIG. 1.  
FIG. 7 is a bottom view of the design of FIG. 1; and,  
FIG. 8 is a top view of the design of FIG. 1.  
The broken lines shown in the drawings represent portions of the interdental brush that form no part of the claimed design.

**1 Claim, 8 Drawing Sheets**



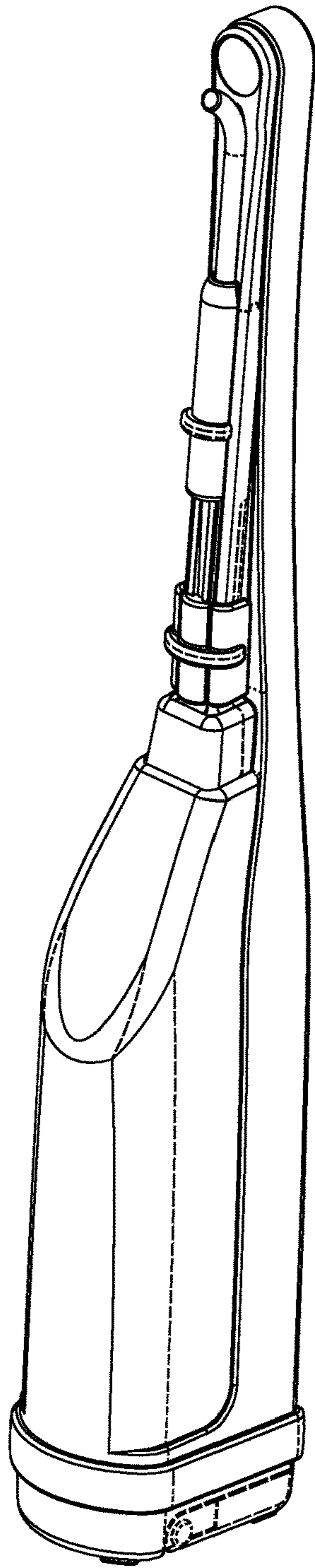


Figure 1

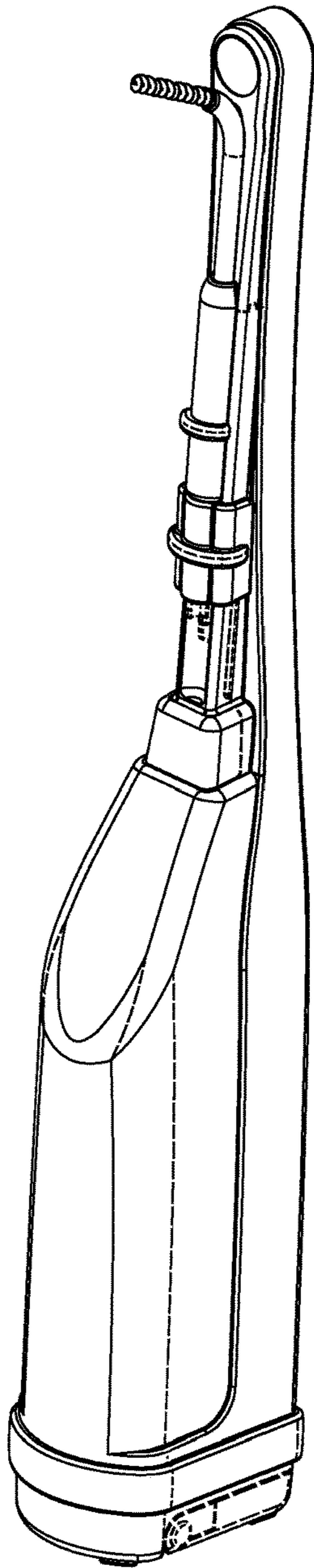


Figure 2

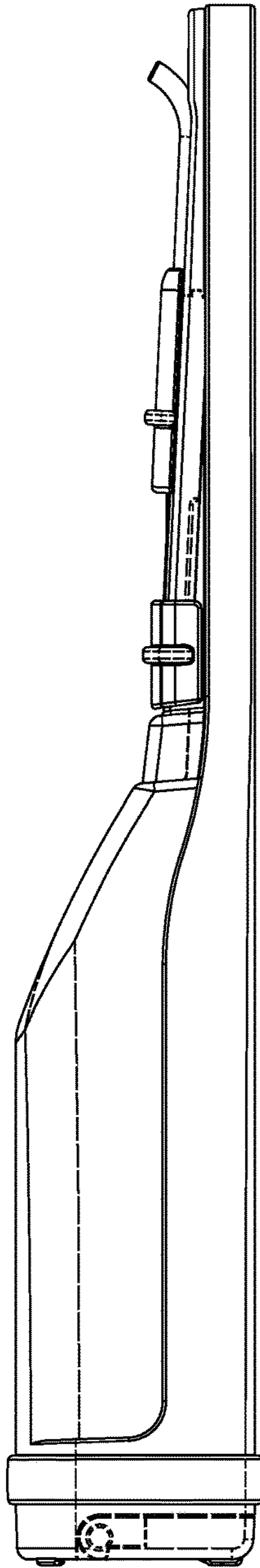


Figure 3

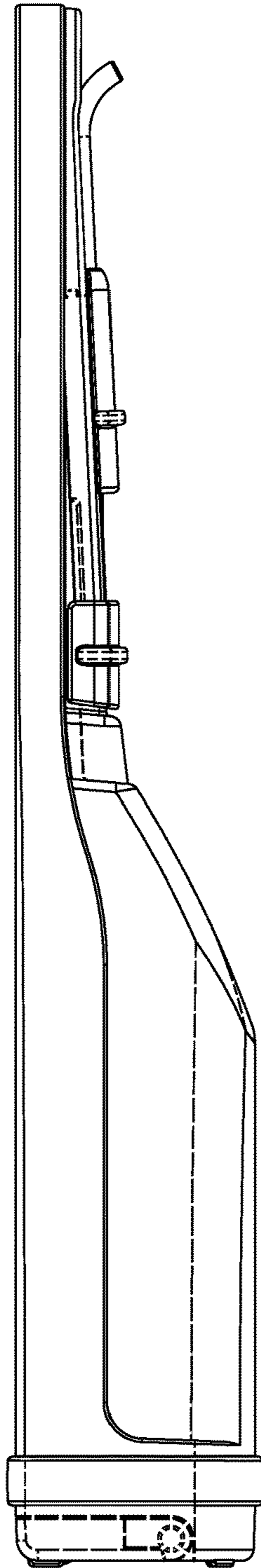


Figure 4

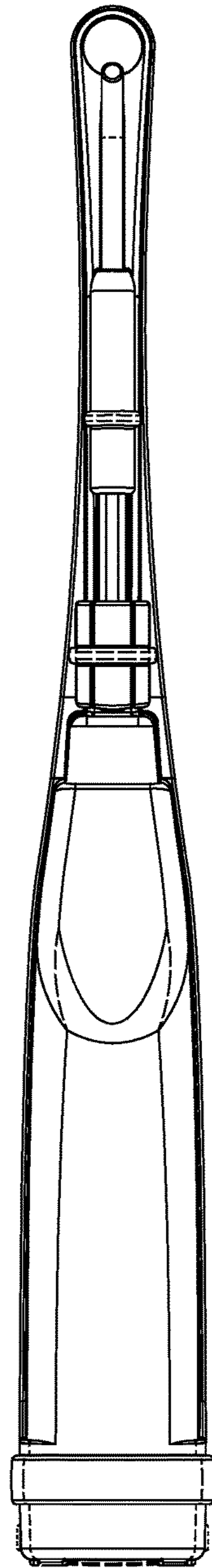


Figure 5

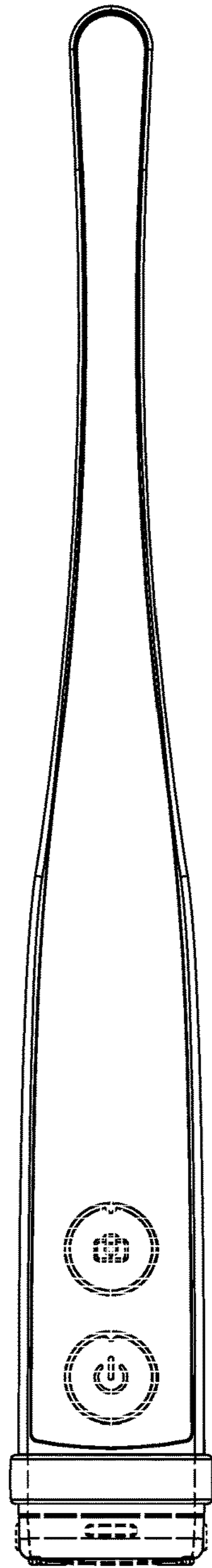


Figure 6

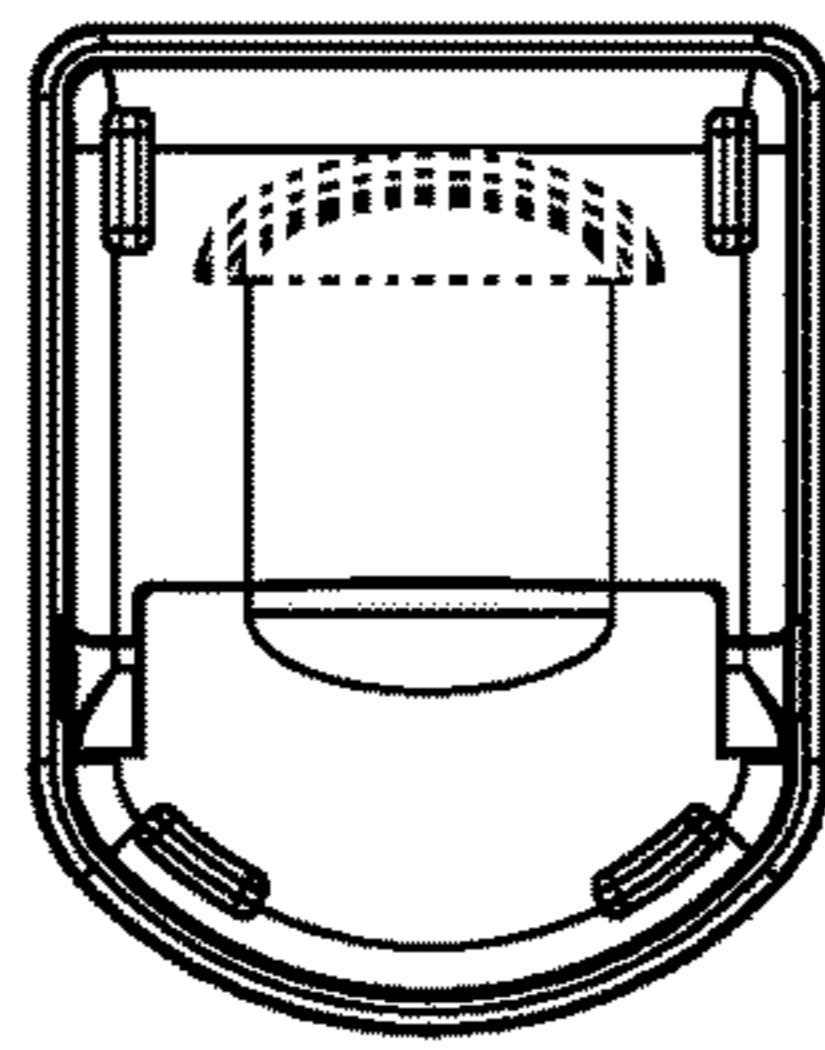


Figure 7



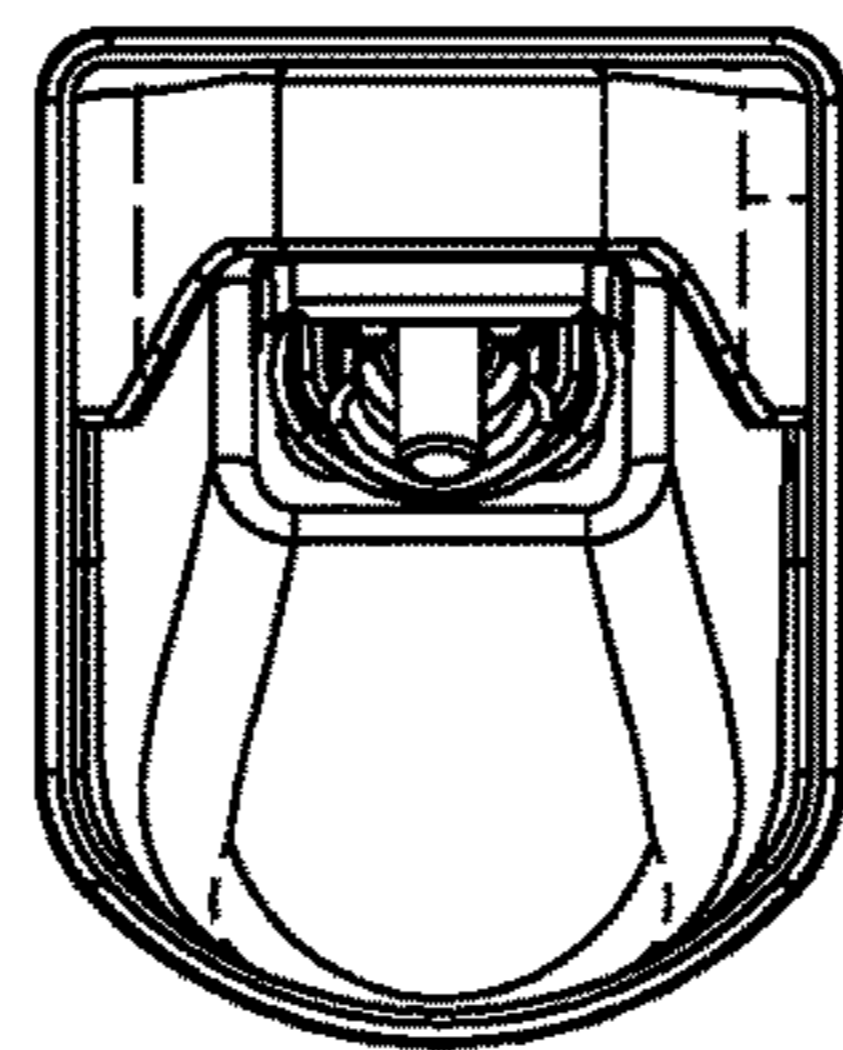


Figure 8