



US00D866765S

(12) **United States Design Patent** (10) **Patent No.:** **US D866,765 S**
Guegel-Wild et al. (45) **Date of Patent:** **** Nov. 12, 2019**

(54) **ELECTROMEDICAL DEVICE**

(71) Applicant: **Siemens Healthcare GmbH**, Erlangen (DE)

(72) Inventors: **Stefanie Guegel-Wild**, Langensendelbach (DE); **Markus Mottscheller**, Nuremberg (DE)

(73) Assignee: **Siemens Healthcare GmbH**, Erlangen (DE)

(**) Term: **15 Years**

(21) Appl. No.: **29/629,055**

(22) Filed: **Dec. 11, 2017**

(30) **Foreign Application Priority Data**

Jun. 12, 2017 (EM) 004043057

(51) **LOC (12) Cl.** **24-01**

(52) **U.S. Cl.**
USPC **D24/158**

(58) **Field of Classification Search**
USPC D24/107, 158–161, 185, 186, 187, 231
CPC .. A61B 6/03; A61B 6/035; A61B 5/05; A61B 5/055; G01N 2223/1013; G01N 2223/1016; A61N 2005/1054; A61N 2005/1055; A61N 2005/1074

See application file for complete search history.

(56) **References Cited**

U.S. PATENT DOCUMENTS

D715,945 S	*	10/2014	Zhang	D24/159
D726,918 S	*	4/2015	Gnielka	D24/158
D746,465 S	*	12/2015	Du	D24/158
D785,006 S	*	4/2017	Ma	D14/485
D785,182 S	*	4/2017	Grosshauser	D24/158
D787,677 S	*	5/2017	Grosshauser	D24/158

* cited by examiner

Primary Examiner — Anhdao Doan
 (74) *Attorney, Agent, or Firm* — Schiff Hardin LLP

(57) **CLAIM**

The ornamental design for an electromedical device, as shown and described.

DESCRIPTION

FIG. 1 is a front elevational view of an electromedical device showing our new design;
 FIG. 2 is a back elevational view thereof;
 FIG. 3 is a top plan view thereof;
 FIG. 4 is a bottom plan view thereof;
 FIG. 5 is a right side elevational view thereof;
 FIG. 6 is a left side elevational view thereof; and,
 FIG. 7 is a perspective view taken generally from the top, front, right-hand side thereof.

1 Claim, 7 Drawing Sheets

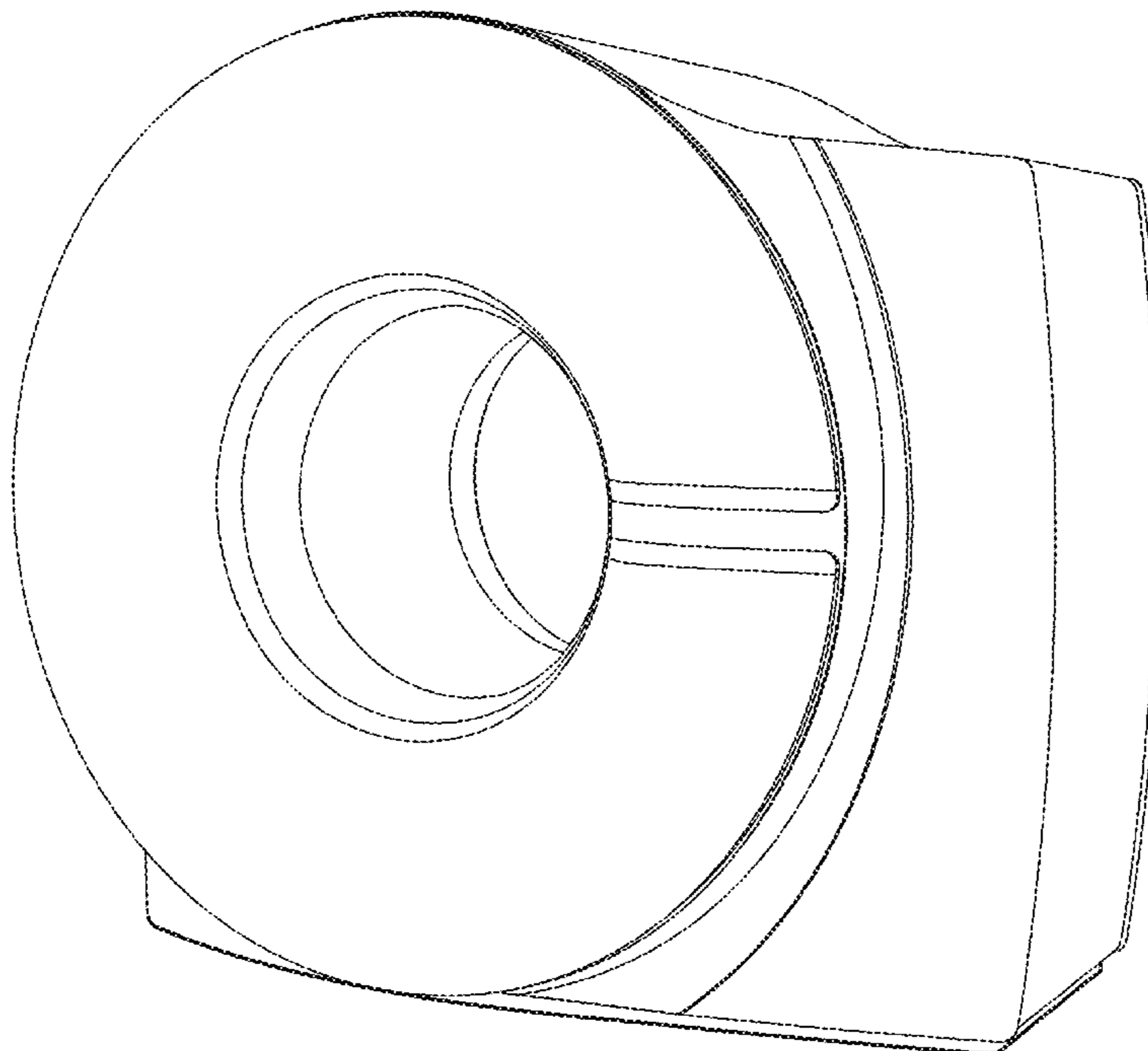


FIG. 1

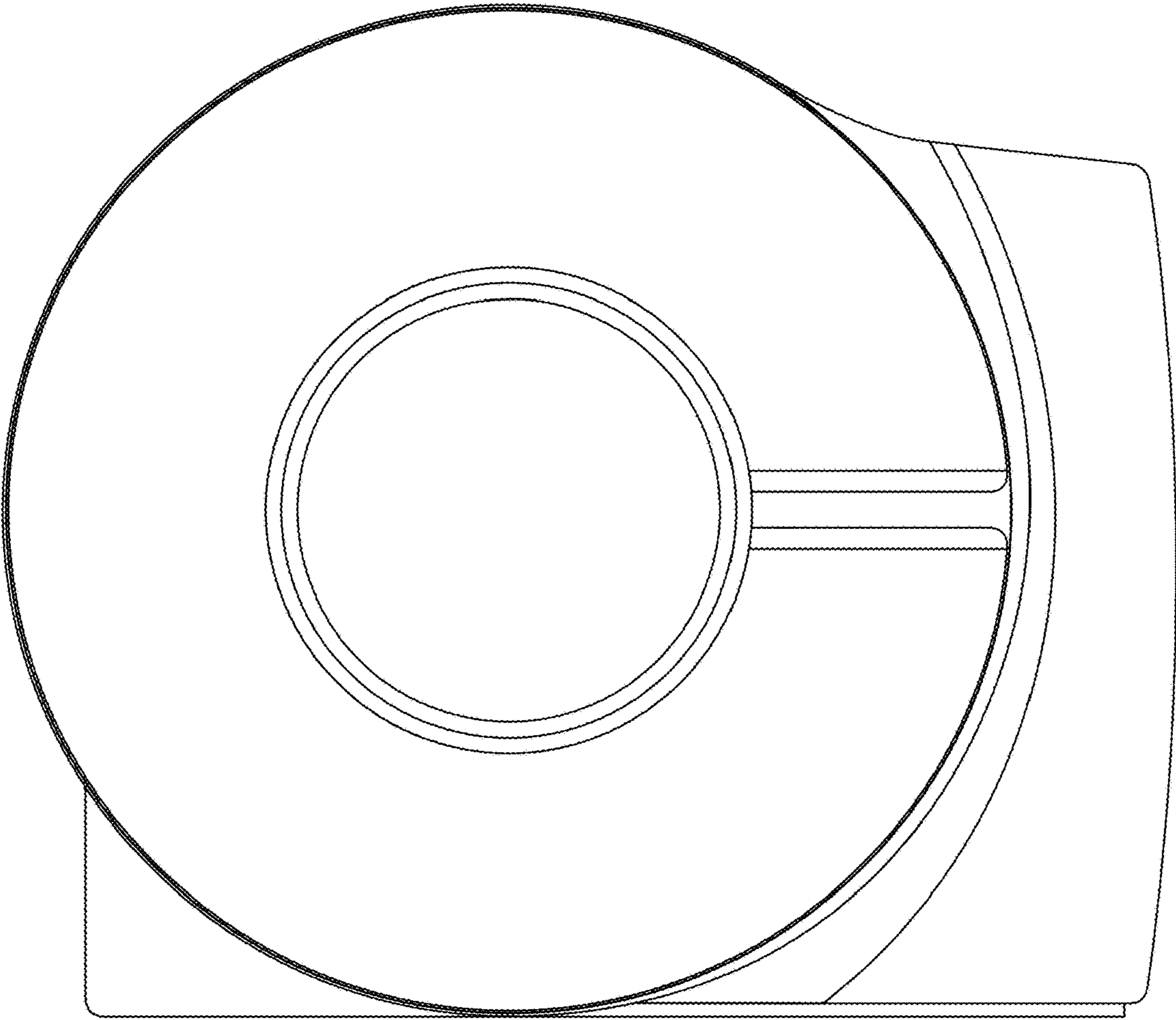


FIG. 2

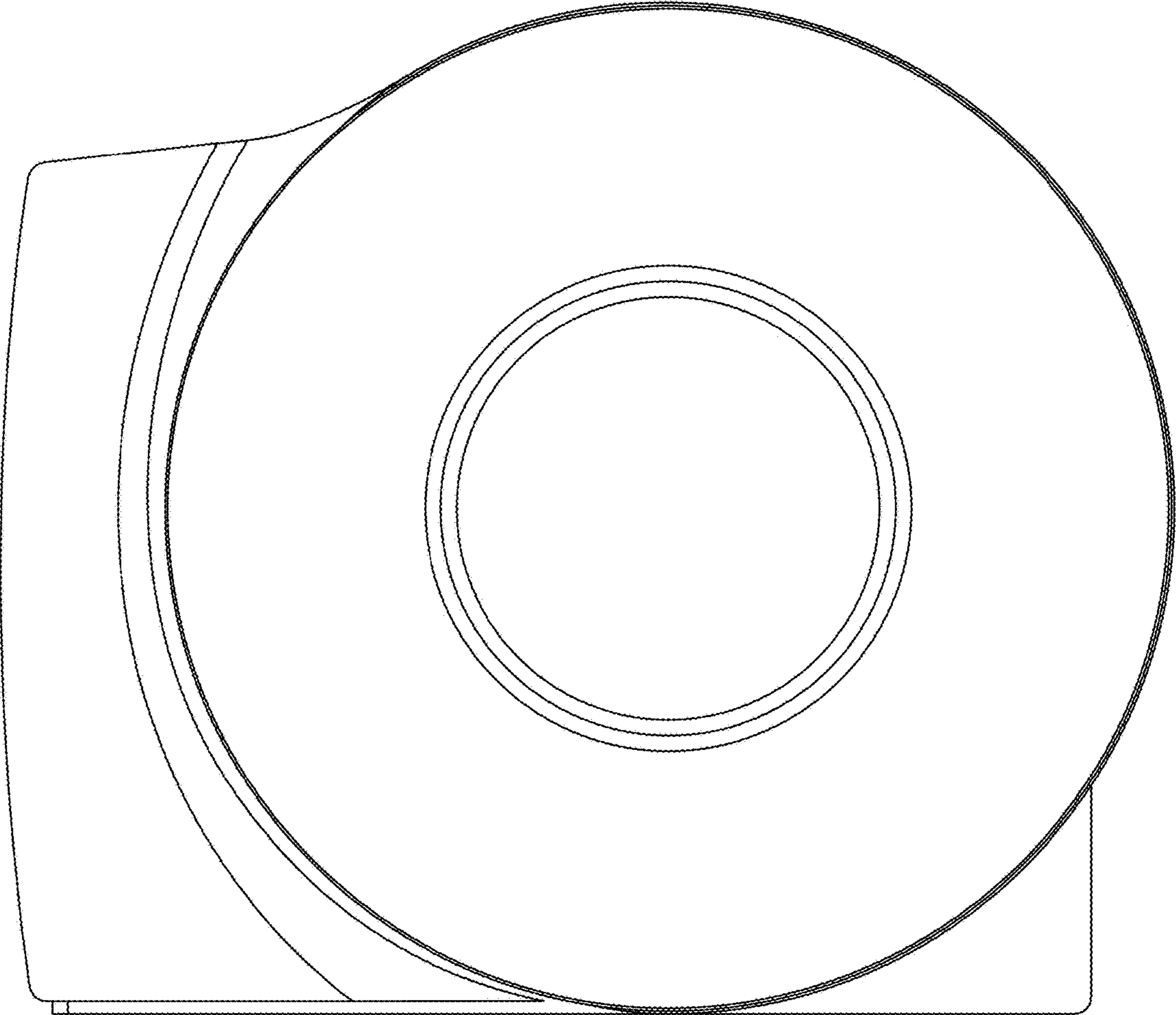


FIG. 3

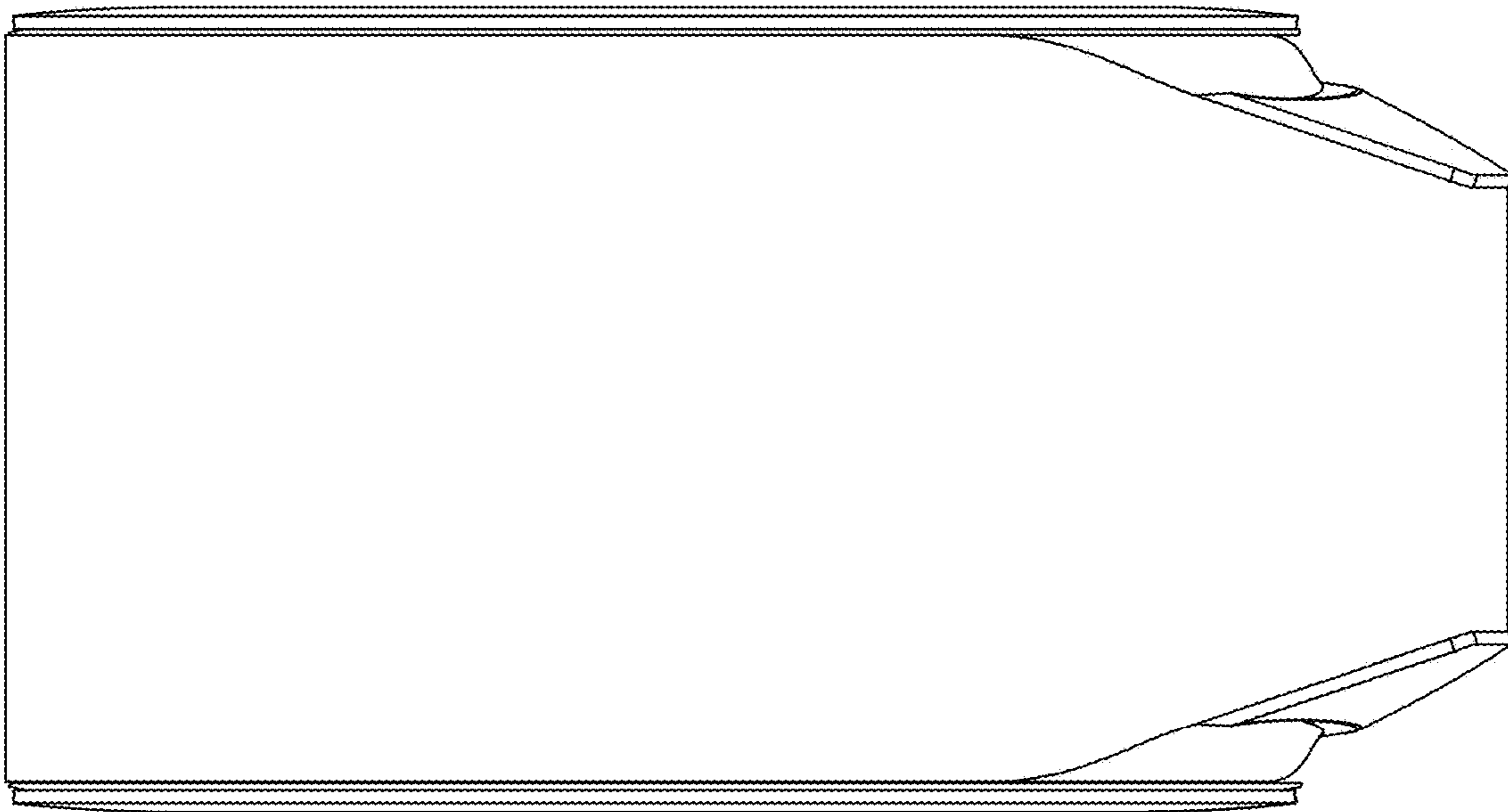


FIG. 4

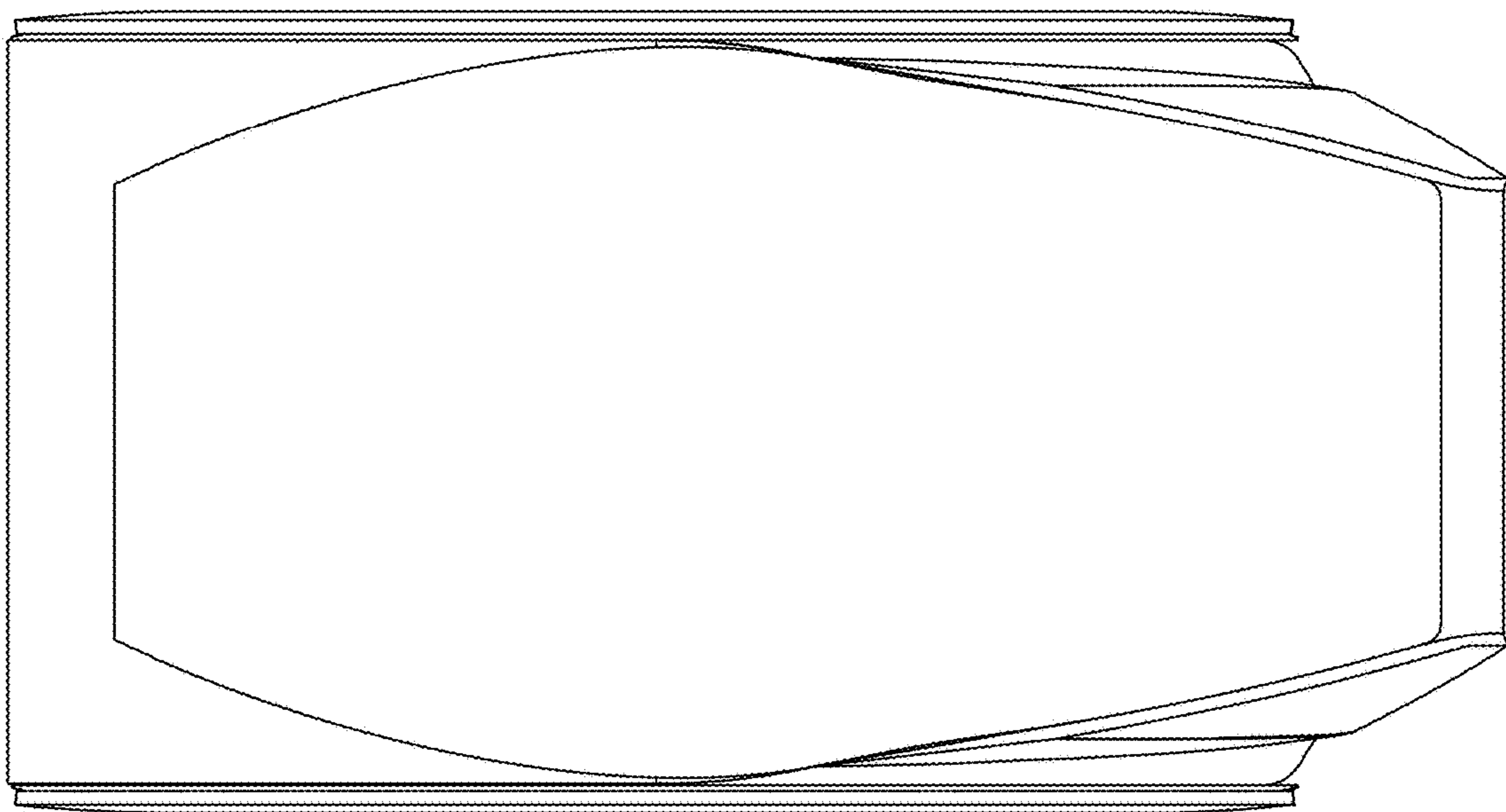


FIG. 5

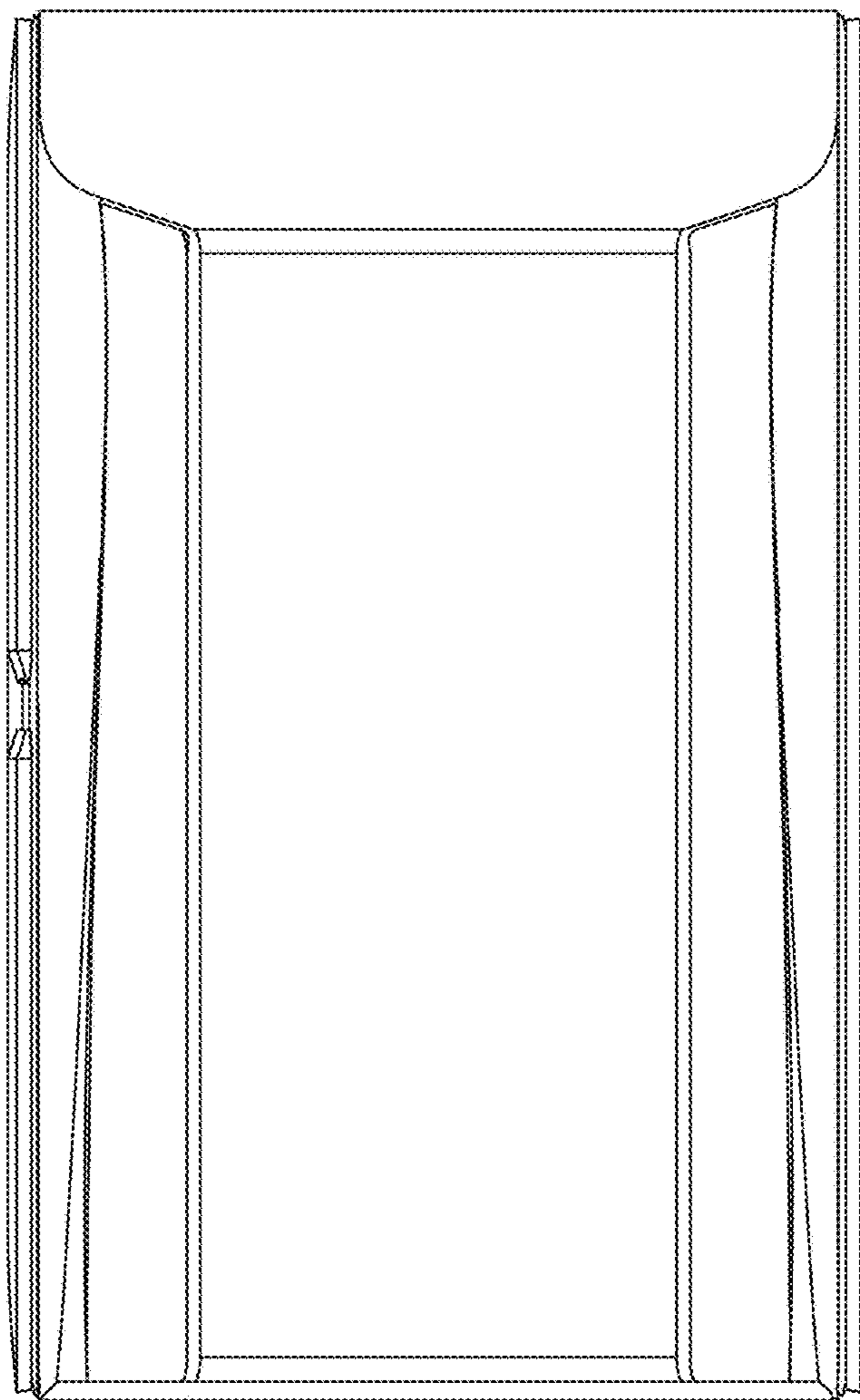


FIG. 6

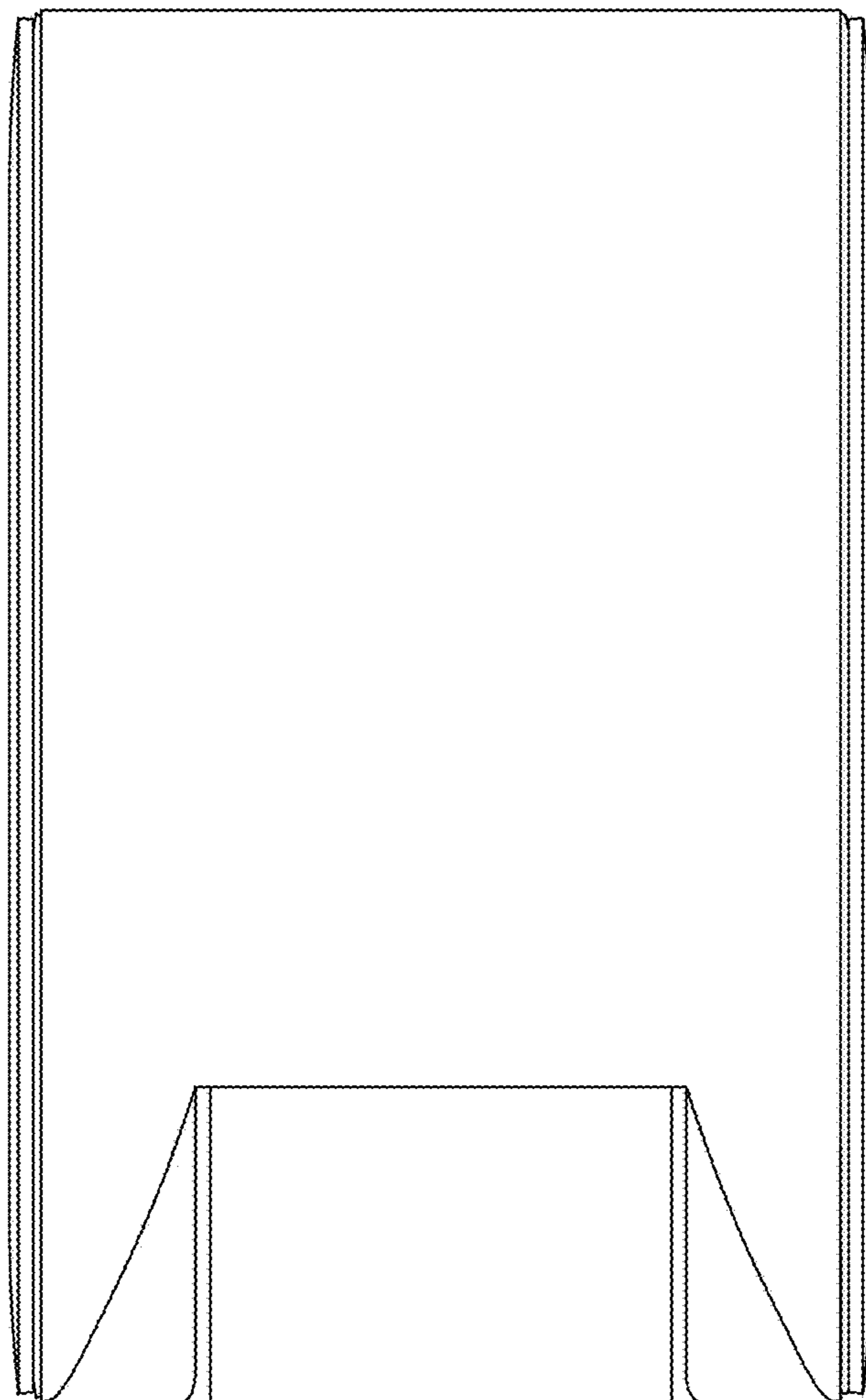


FIG. 7

