

US00D866762S

(12) **United States Design Patent**  
**Lee**

(10) **Patent No.:** **US D866,762 S**  
(45) **Date of Patent:** **\*\* Nov. 12, 2019**

- (54) **TATTOOING APPARATUS**
- (71) Applicant: **BOMTECH ELECTRONICS Co., Ltd.**, Seoul (KR)
- (72) Inventor: **Jong-dae Lee**, Seoul (KR)
- (73) Assignee: **BOMTECH ELECTRONICS Co., Ltd.**, Seoul (KR)
- (\*\*) Term: **15 Years**
- (21) Appl. No.: **29/642,290**
- (22) Filed: **Mar. 28, 2018**
- (30) **Foreign Application Priority Data**  
Sep. 28, 2017 (KR) ..... 30-2017-0045919
- (51) **LOC (12) Cl.** ..... **24-02**
- (52) **U.S. Cl.**  
USPC ..... **D24/144**
- (58) **Field of Classification Search**  
USPC ..... D24/144, 146; D28/7  
CPC ..... A61M 37/0076; A61M 37/0084; A61M 37/0092; A61M 37/00; A61M 5/46; A61M 5/48; A61M 5/482; A61M 5/2466  
See application file for complete search history.
- (56) **References Cited**  
**U.S. PATENT DOCUMENTS**  
D364,923 S \* 12/1995 Chou ..... D24/144  
7,380,480 B1 \* 6/2008 Chen ..... A61M 37/0076  
604/198  
8,794,109 B2 \* 8/2014 Lee ..... A61M 37/0084  
81/9.22  
8,920,379 B2 \* 12/2014 Lee ..... A61M 37/0076  
604/173  
9,114,239 B2 \* 8/2015 Lee ..... A61M 37/0076  
9,259,561 B2 \* 2/2016 Lee ..... A61M 37/0084  
D805,195 S \* 12/2017 Lee ..... D24/144

D805,196 S \* 12/2017 Lee ..... D24/144  
 D805,197 S \* 12/2017 Lee ..... D24/144  
 D805,198 S \* 12/2017 Lee ..... D24/144  
 2008/0306502 A1 \* 12/2008 Lisec ..... A61M 37/00  
 606/186

\* cited by examiner

*Primary Examiner* — Wan Laymon  
(74) *Attorney, Agent, or Firm* — Osha Liang LLP

(57) **CLAIM**

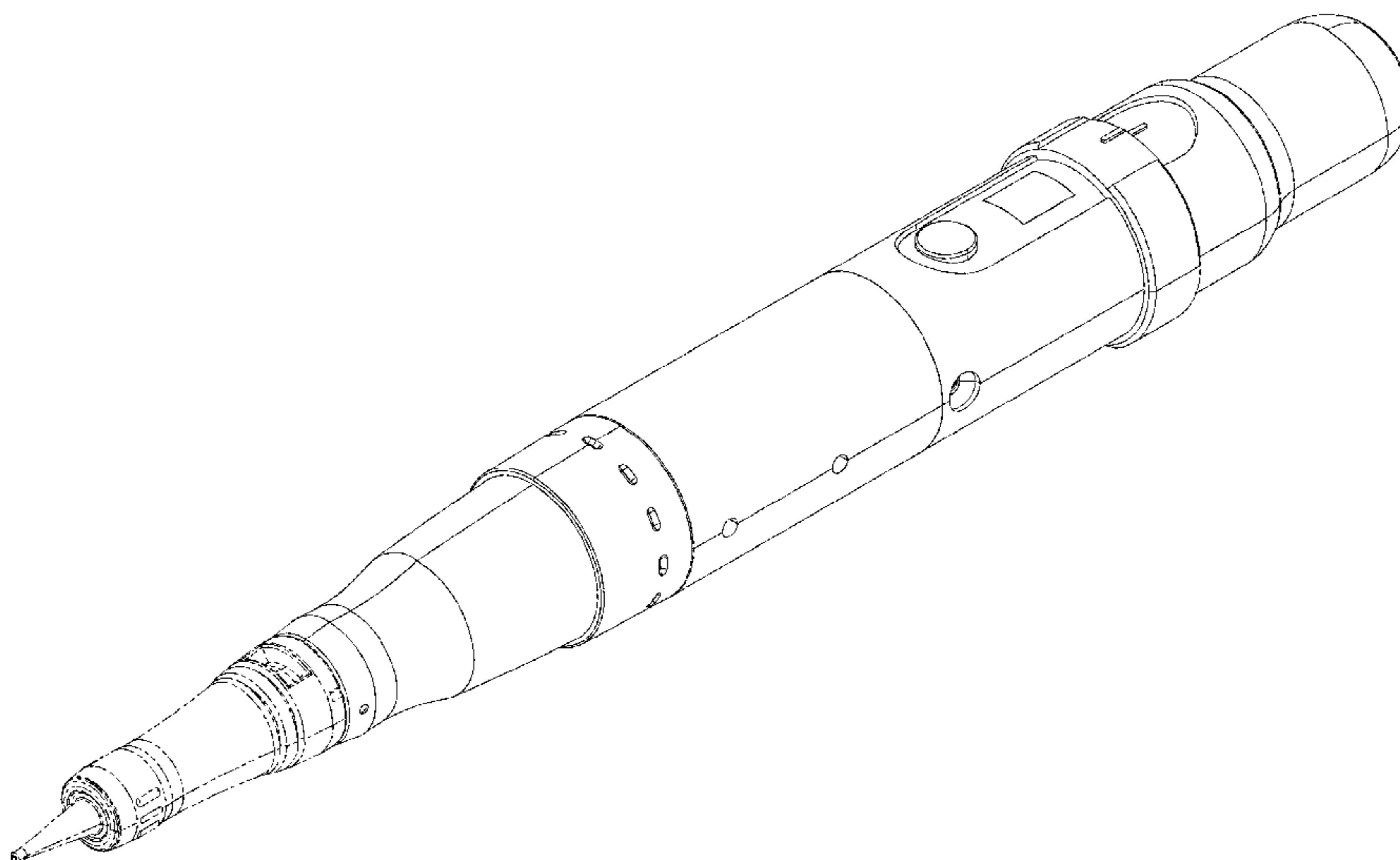
The ornamental design for a tattooing apparatus, as shown and described.

**DESCRIPTION**

FIG. 1 is a front perspective view of a tattooing apparatus; FIG. 2 is an enlarged front view of the tattooing apparatus of FIG. 1; FIG. 3 is an enlarged rear view of the tattooing apparatus of FIG. 1; FIG. 4 is a first side view of the tattooing apparatus of FIG. 1; FIG. 5 is a second side view of the tattooing apparatus of FIG. 1; FIG. 6 is a top view of the tattooing apparatus of FIG. 1; FIG. 7 is a bottom view of the tattooing apparatus of FIG. 1; FIG. 8 is a front perspective view of the tattooing apparatus of FIG. 1, where a needle cartridge is in an extended state; and, FIG. 9 is a front perspective view of the tattooing apparatus of FIG. 8, where the tattooing apparatus is disposed in a holder.

The broken lines, including both the dashed-dot-dot-dashed and dashed lines, depict unclaimed portions of the tattooing apparatus and form no part of the claimed design. For example, the needle cartridge of FIG. 8 and the holder of FIG. 9 are shown with broken lines and form no part of the claimed design.

**1 Claim, 9 Drawing Sheets**



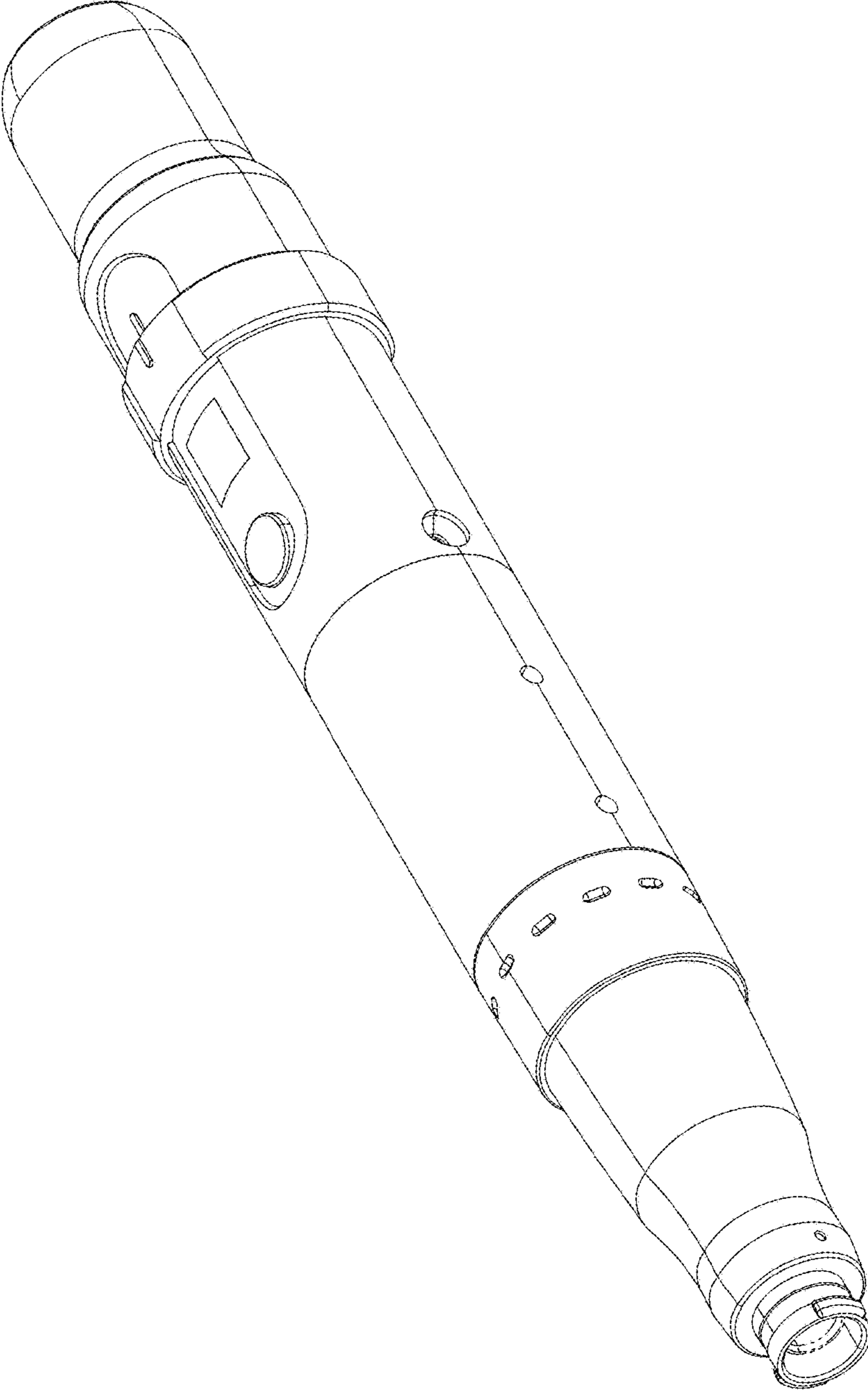


FIG. 1

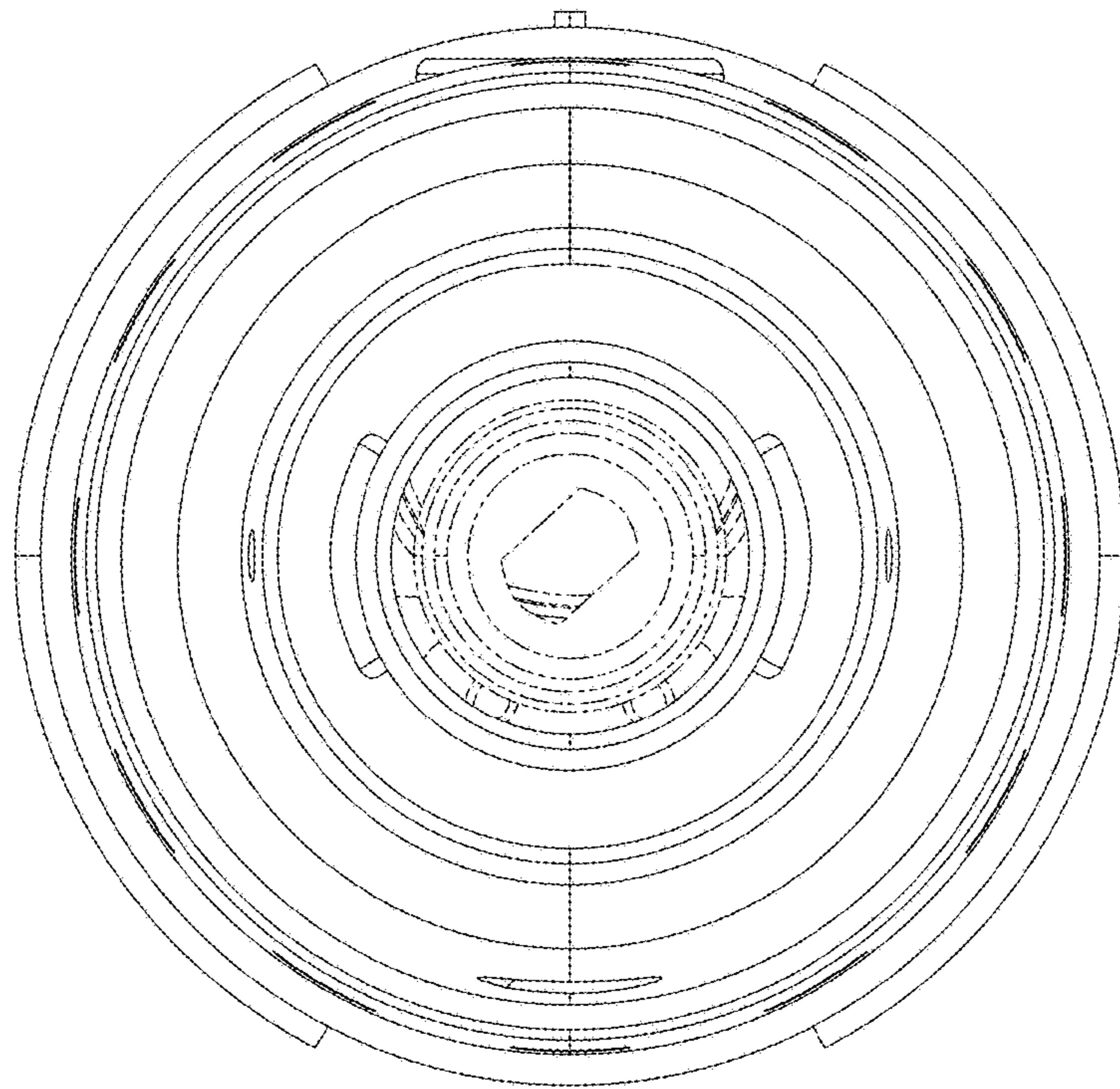
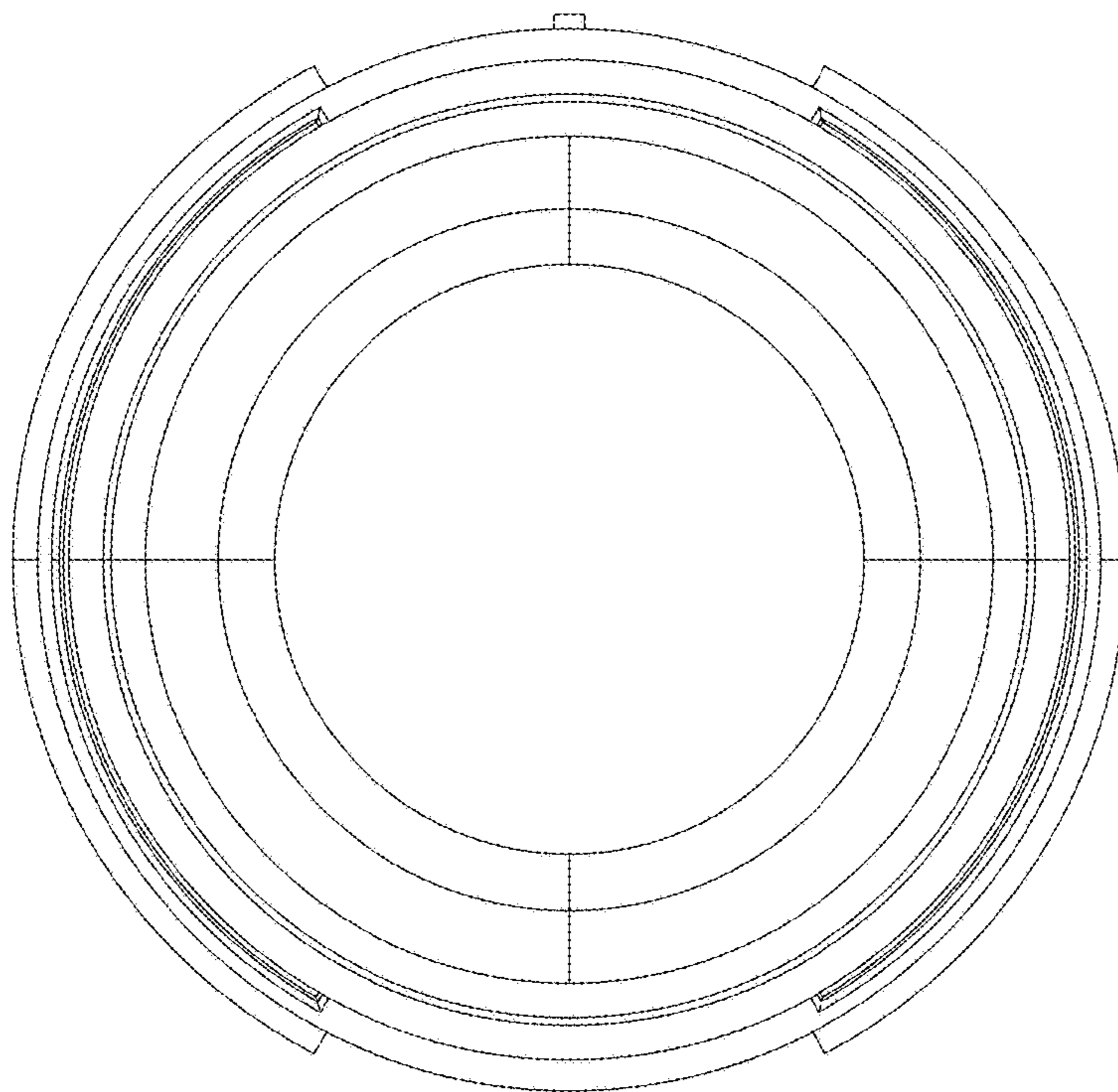


FIG. 2



*FIG. 3*

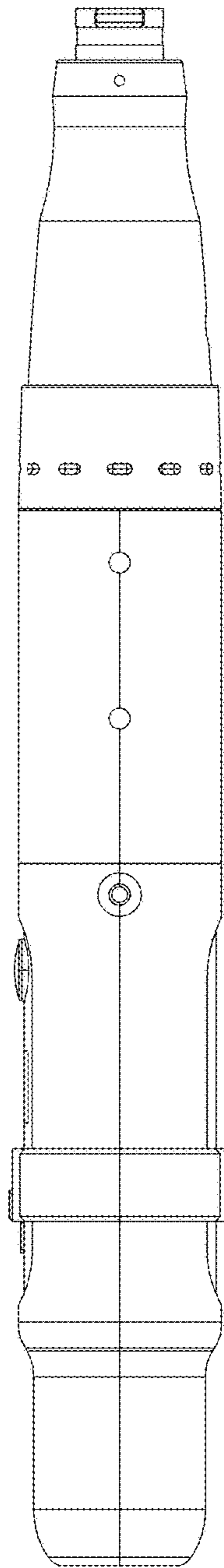


FIG. 4

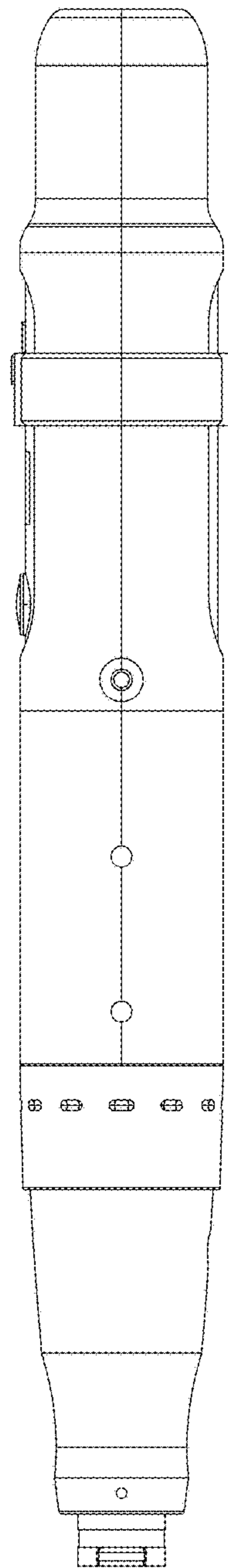


FIG. 5

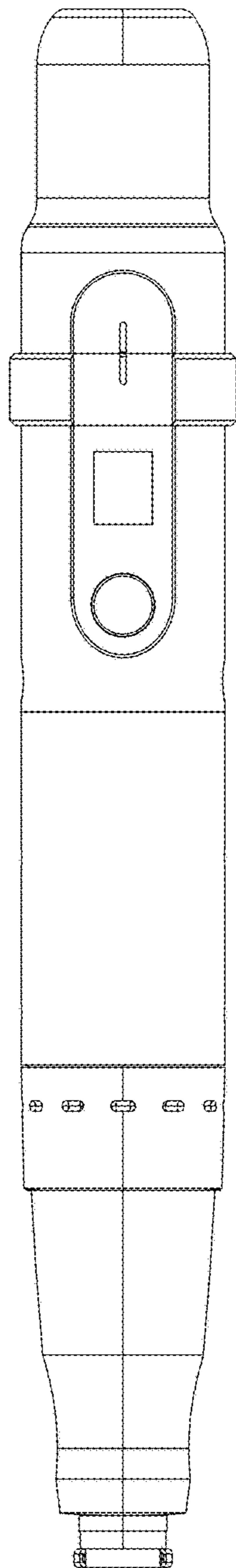


FIG. 6

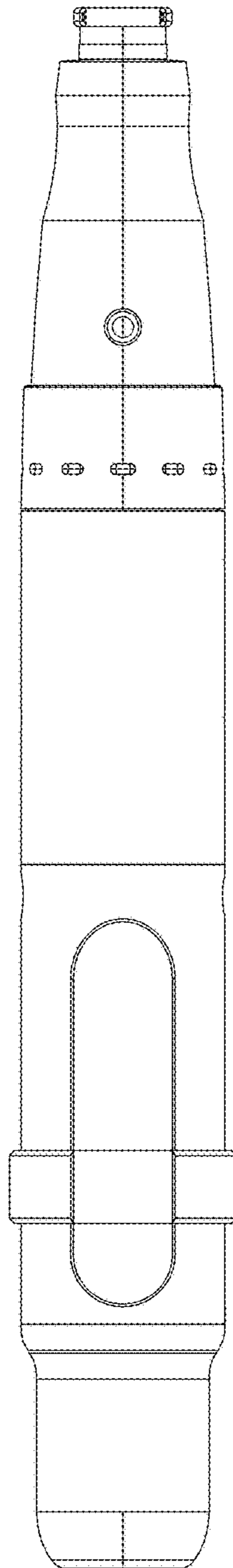


FIG. 7



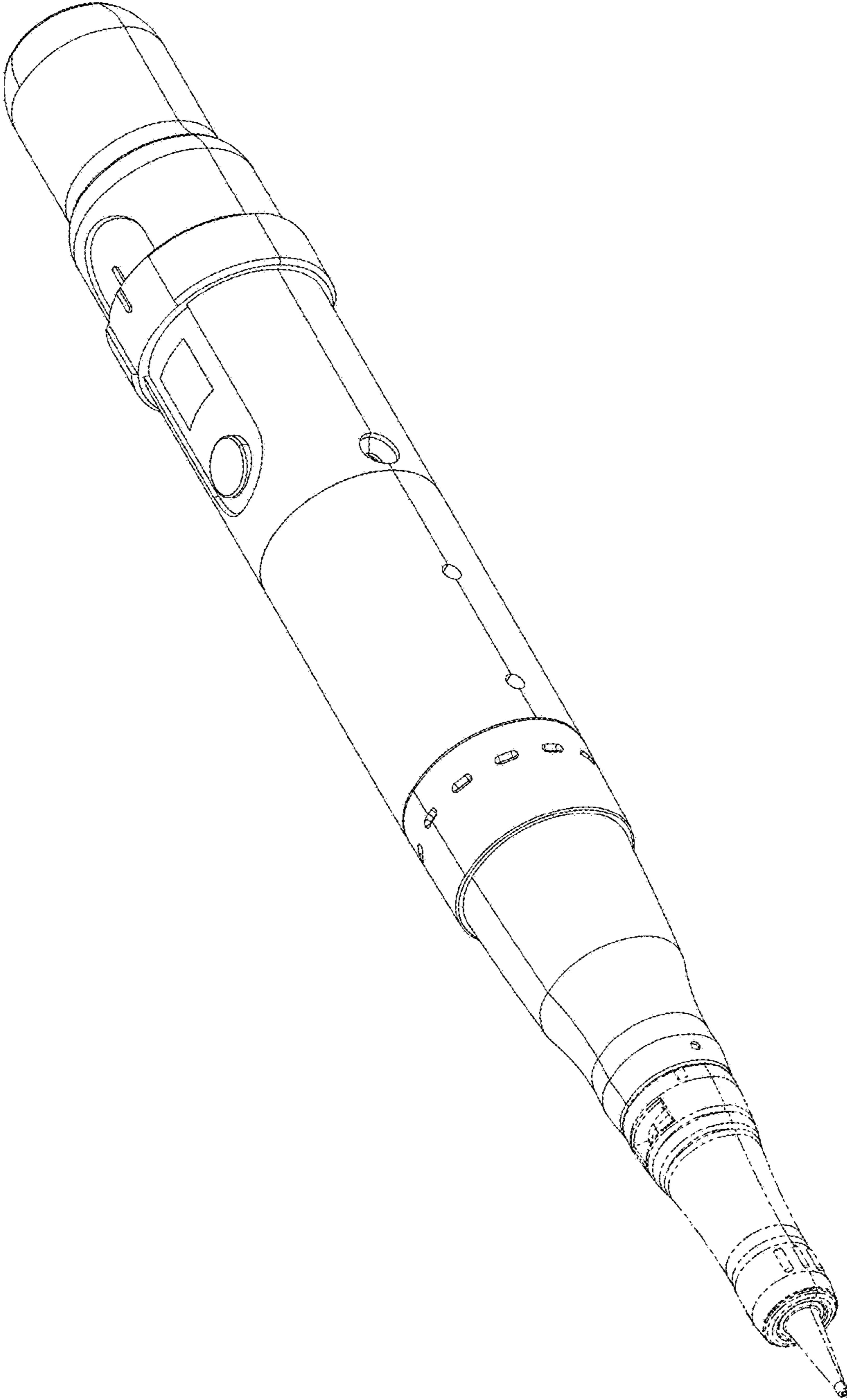


FIG. 8

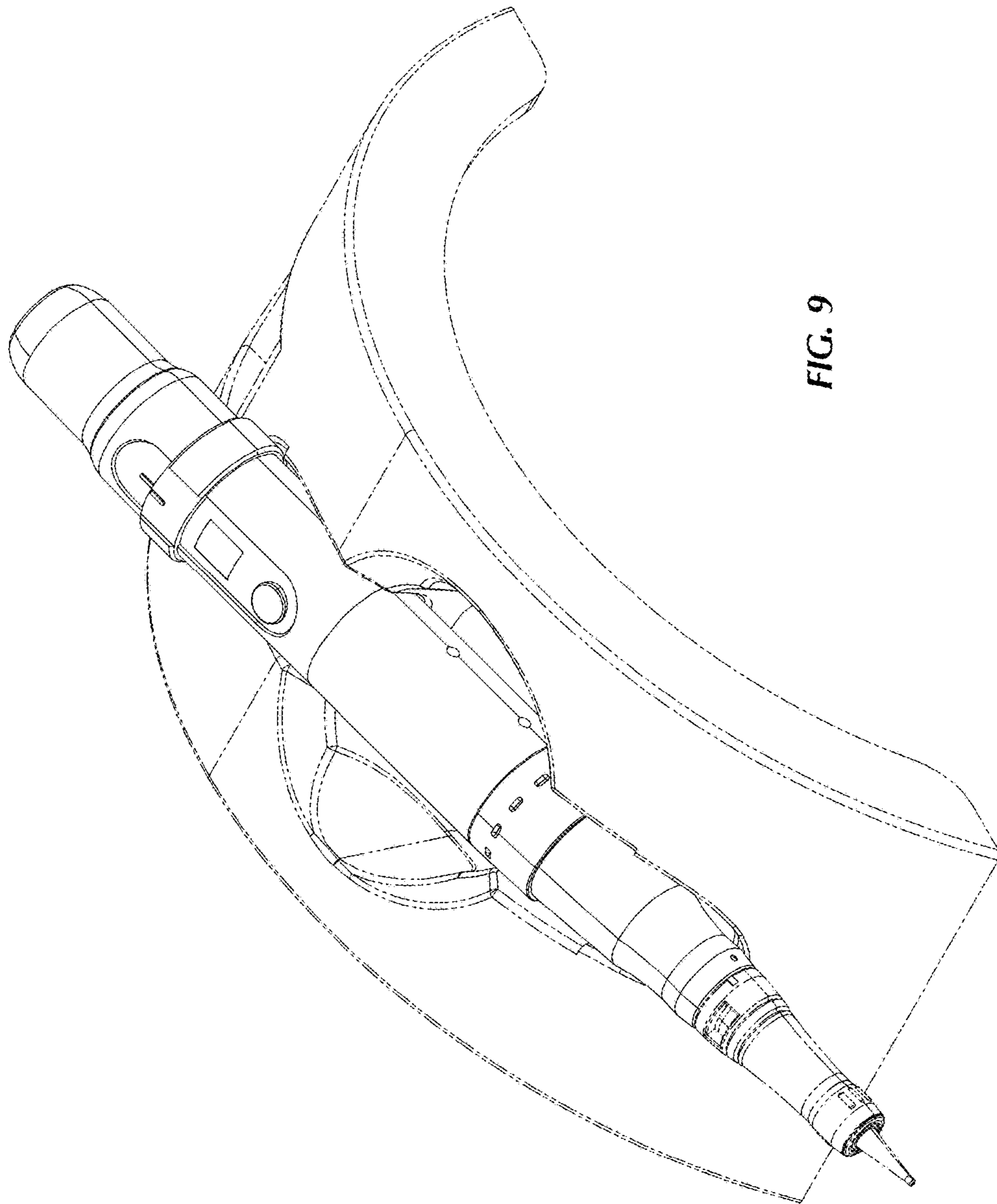


FIG. 9