



US00D866761S

(12) **United States Design Patent**
Liu et al.

(10) **Patent No.:** **US D866,761 S**

(45) **Date of Patent:** **** Nov. 12, 2019**

(54) **CLAMP HEAD**

(71) Applicant: **SIMAI CO., LTD.**, Zhuhai, Guangdong (CN)

(72) Inventors: **Chunxiao Liu**, Guangdong (CN); **Min Lin**, Guangdong (CN)

(73) Assignee: **SIMAI CO., LTD.**, Zhuhai (CN)

(**) Term: **15 Years**

(21) Appl. No.: **29/653,296**

(22) Filed: **Jun. 14, 2018**

(30) **Foreign Application Priority Data**

May 3, 2018 (CN) 2018 3 0194465

(51) **LOC (12) Cl.** **24-02**

(52) **U.S. Cl.**
USPC **D24/143**

(58) **Field of Classification Search**

USPC D24/143-145, 133, 148; 606/51-52, 157, 606/170, 174, 324, 205

CPC A61B 17/320092; A61B 17/28; A61B 17/282; A61B 17/2808; A61B 17/122; A61B 17/1285; A61B 17/29; A61B 2017/00234; A61B 2017/2808; A61B 2017/295; A61B 18/1445; A61B 18/1442; A61B 2018/146

See application file for complete search history.

(56) **References Cited**

U.S. PATENT DOCUMENTS

6,325,811 B1 * 12/2001 Messerly A61B 17/32009 606/169

6,773,434 B2 * 8/2004 Ciarrocca A61B 18/1445 606/51

6,905,497 B2 * 6/2005 Truckai A61B 18/1442 606/49

8,025,630 B2 * 9/2011 Murakami A61B 17/32009 601/2
8,348,880 B2 * 1/2013 Messerly A61B 17/32009 604/22
D753,299 S * 4/2016 Di Spiezio Sardo D24/143
D804,025 S * 11/2017 Linnenschmidt D24/143
9,848,937 B2 * 12/2017 Trees A61B 18/1445
2015/0133929 A1 * 5/2015 Evans A61B 18/1445 606/51
2016/0175028 A1 * 6/2016 Trees A61B 18/1445 606/52

* cited by examiner

Primary Examiner — Wan Laymon

(57) **CLAIM**

The ornamental design for a clamp head, as shown and described.

DESCRIPTION

FIG. 1 is a top, front and left side perspective view of a clamp head showing our new design;

FIG. 2 is a bottom, rear and right side perspective view thereof;

FIG. 3 is a front elevational view thereof;

FIG. 4 is a rear elevational view thereof;

FIG. 5 is a left side view thereof;

FIG. 6 is a right side view thereof;

FIG. 7 is a top plan view thereof;

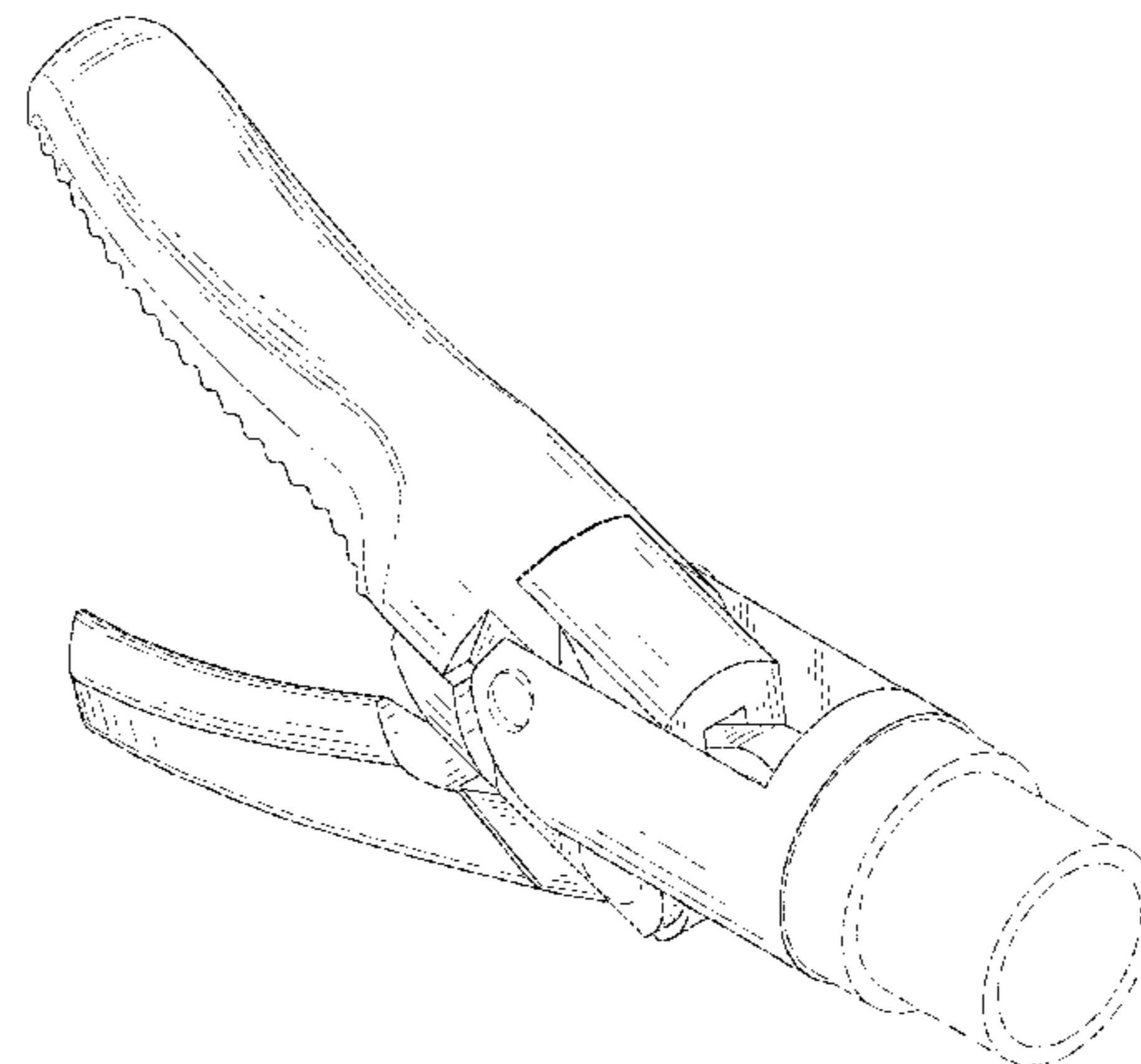
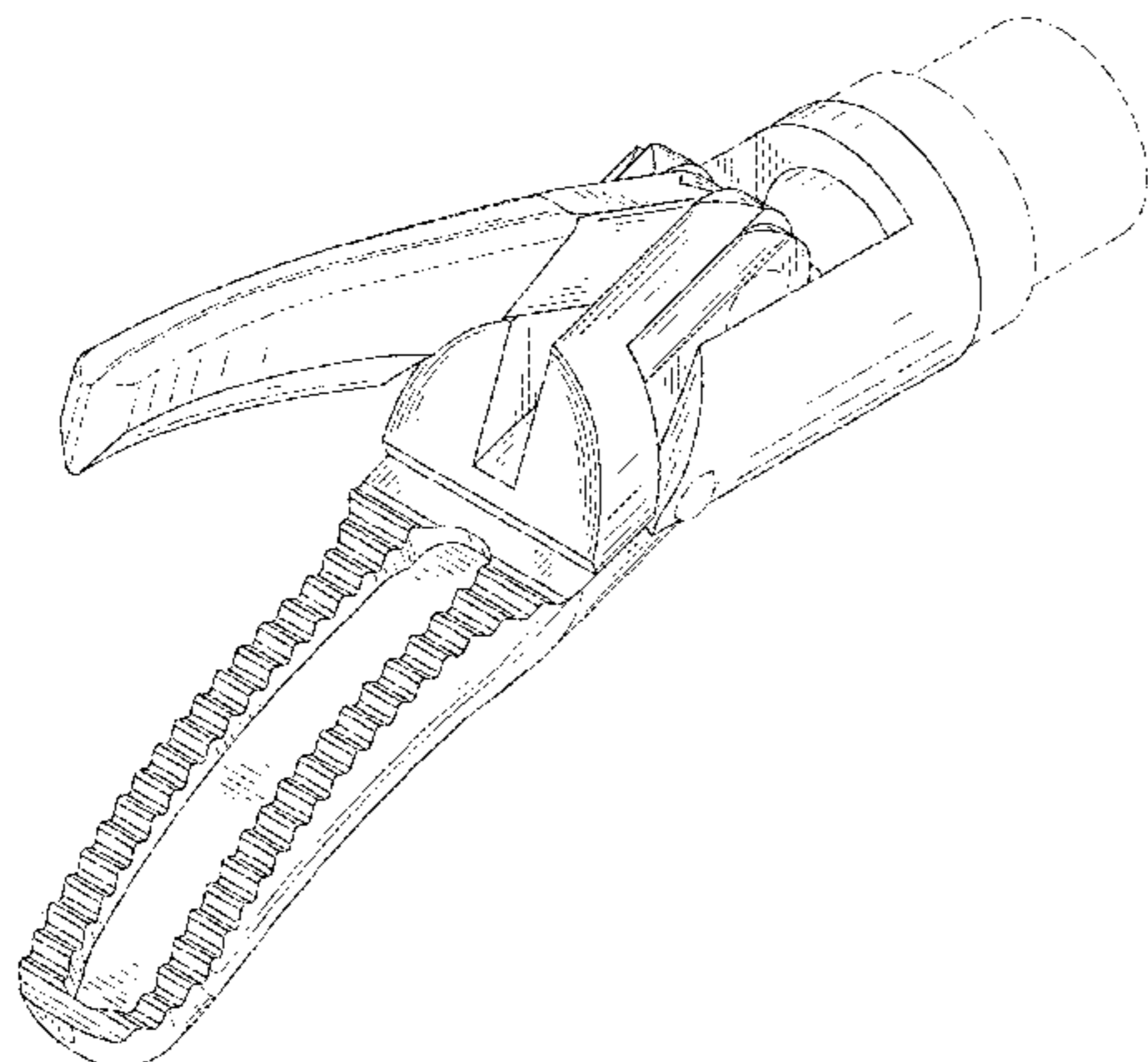
FIG. 8 is a bottom plan view thereof;

FIG. 9 is a top, front and left side perspective view showing the clamp head in a use state; and,

FIG. 10 is a top, front and left side perspective view showing the clamp head in another use state.

The broken lines in FIGS. 1-8 in the drawings illustrate portions of the clamp head which form no part of the claimed design. The broken lines in FIGS. 9-10 in the drawings illustrate environmental subject matter that forms no part of the claimed design.

1 Claim, 10 Drawing Sheets



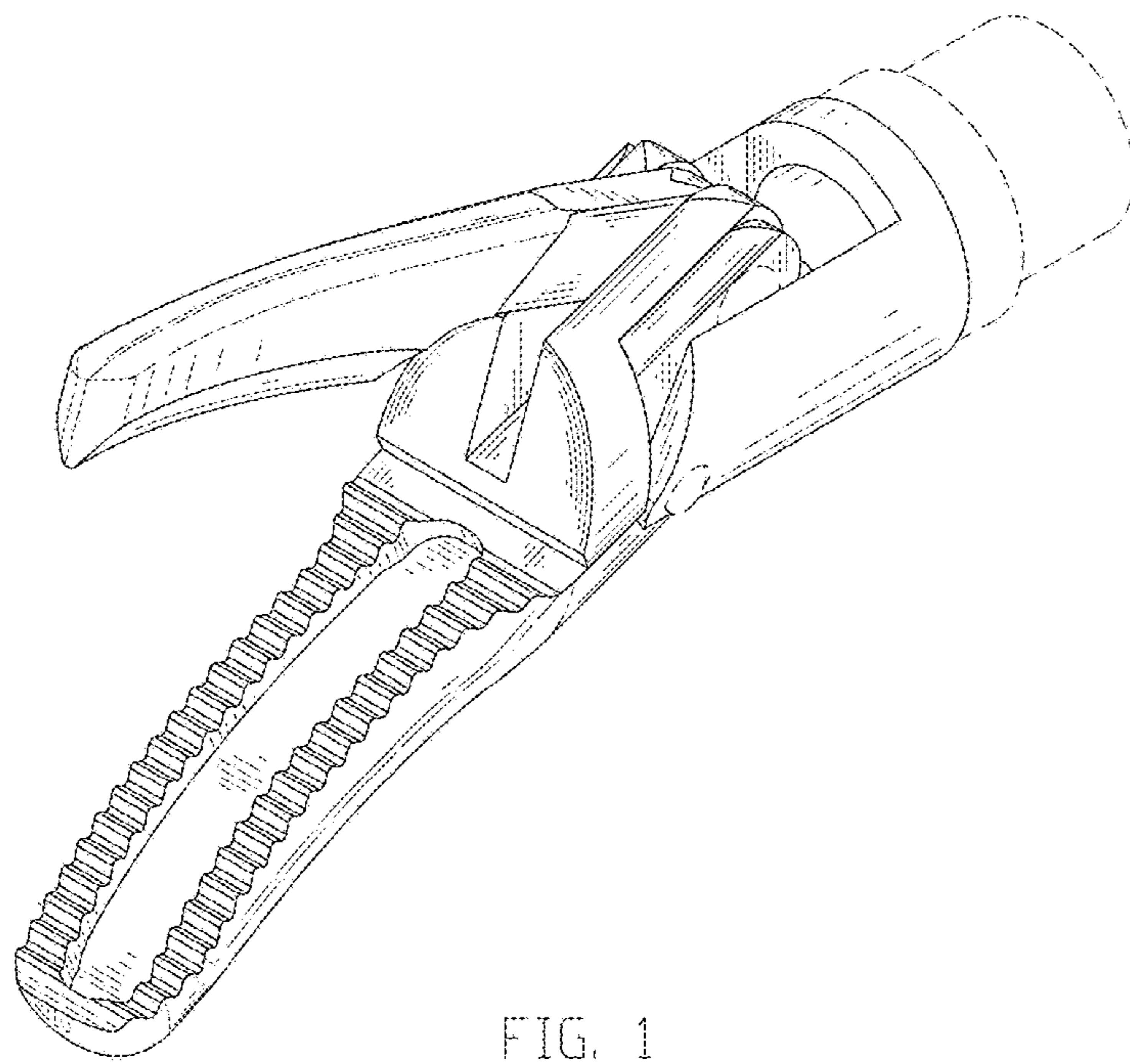


FIG. 1

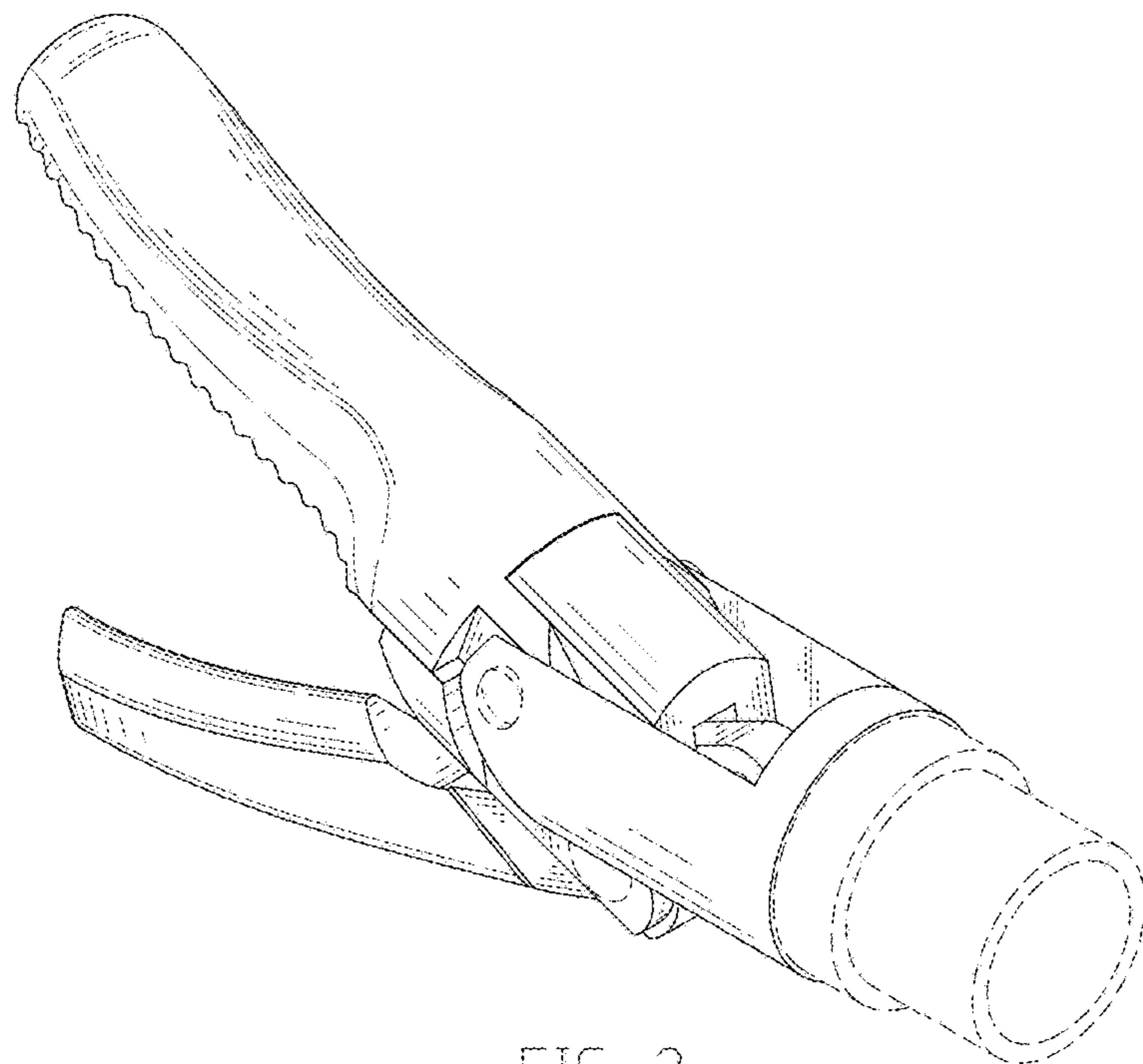


FIG. 2

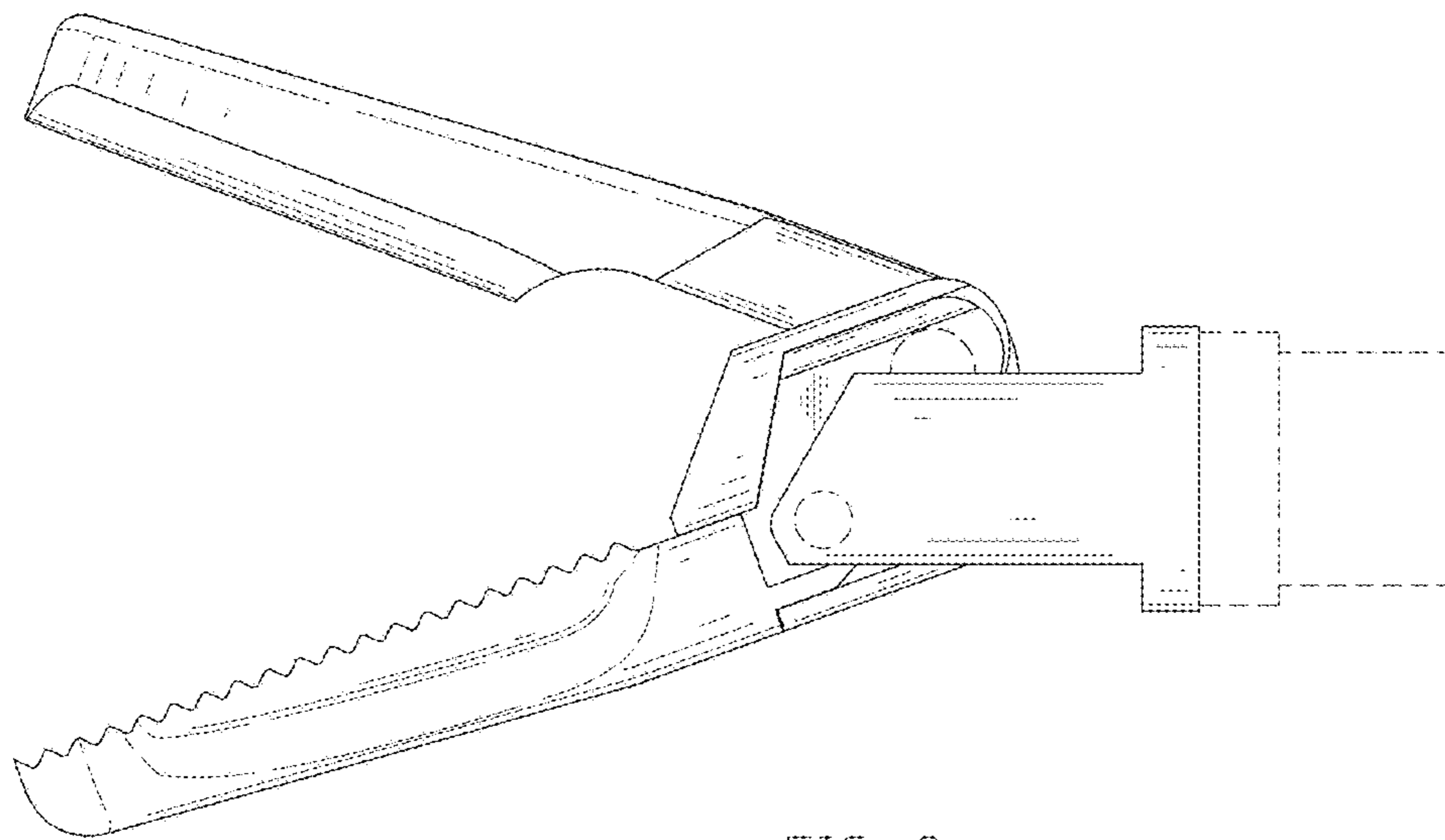


FIG. 3

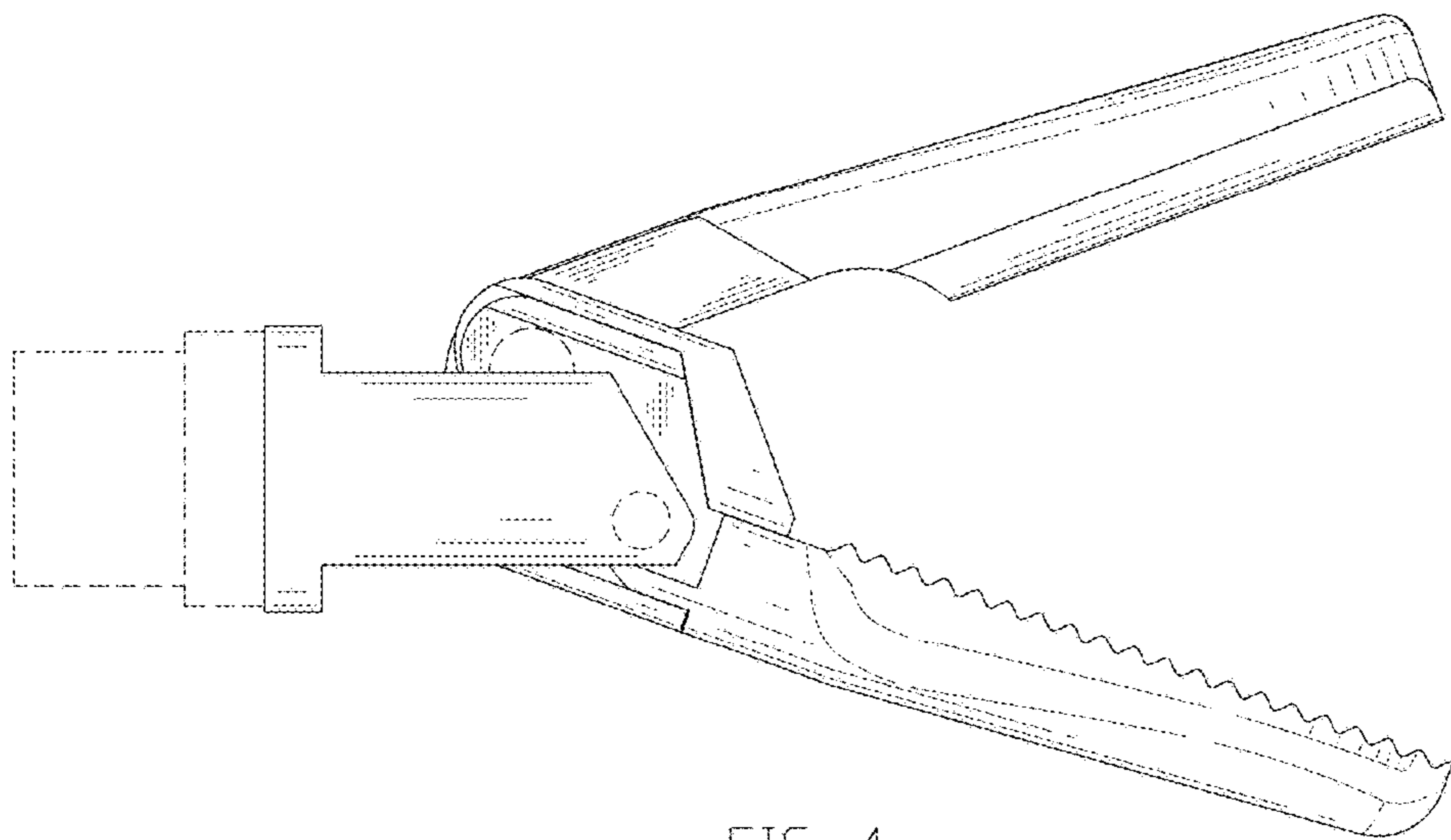


FIG. 4

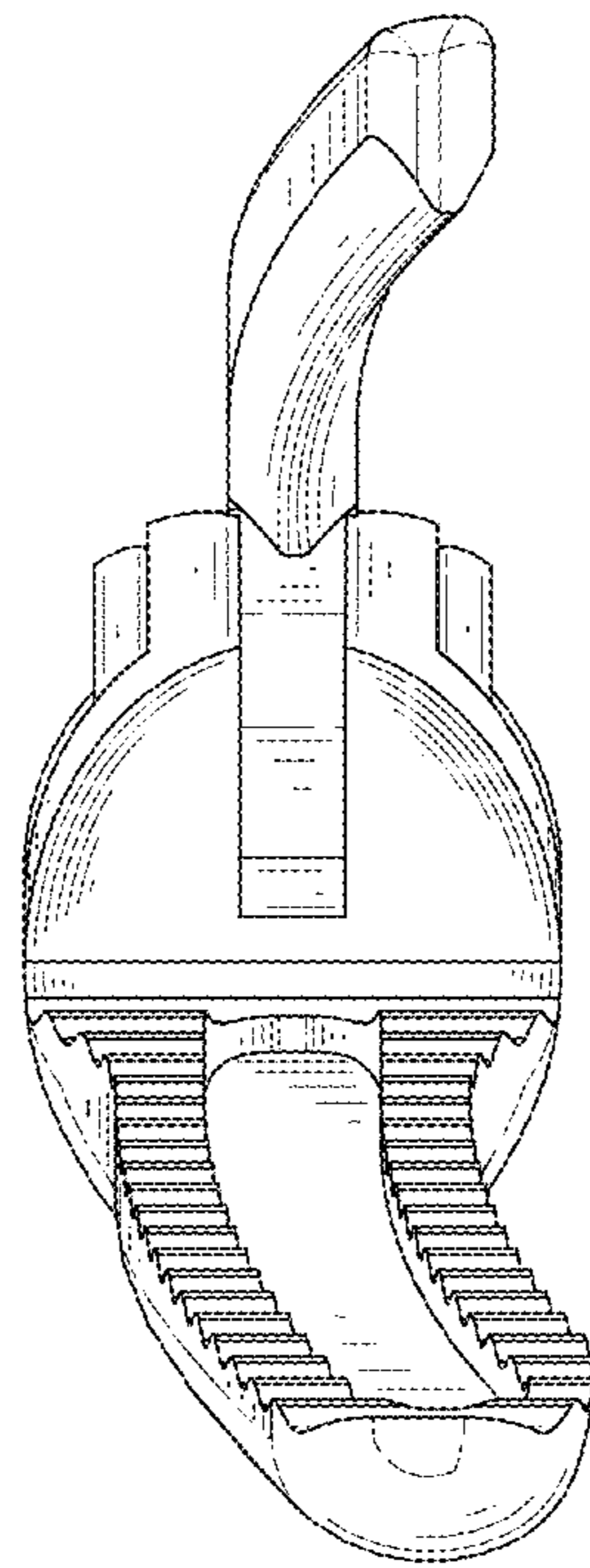


FIG. 5

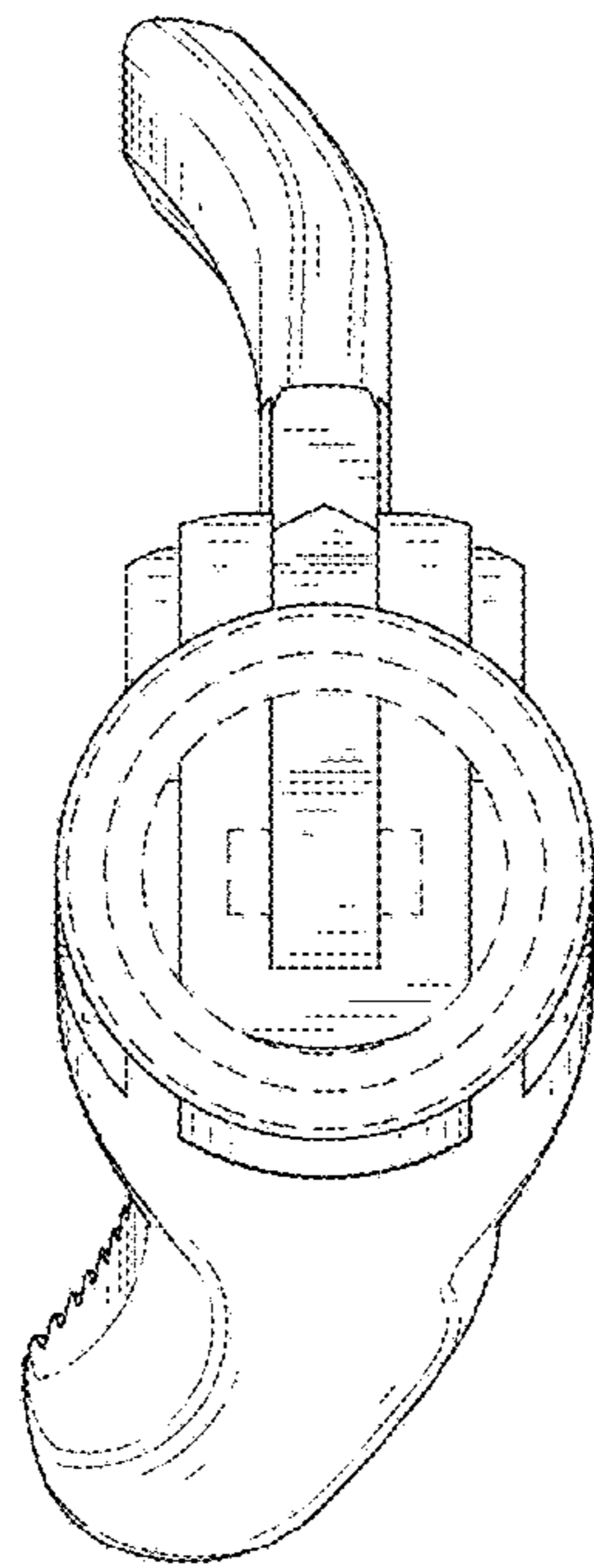


FIG. 6

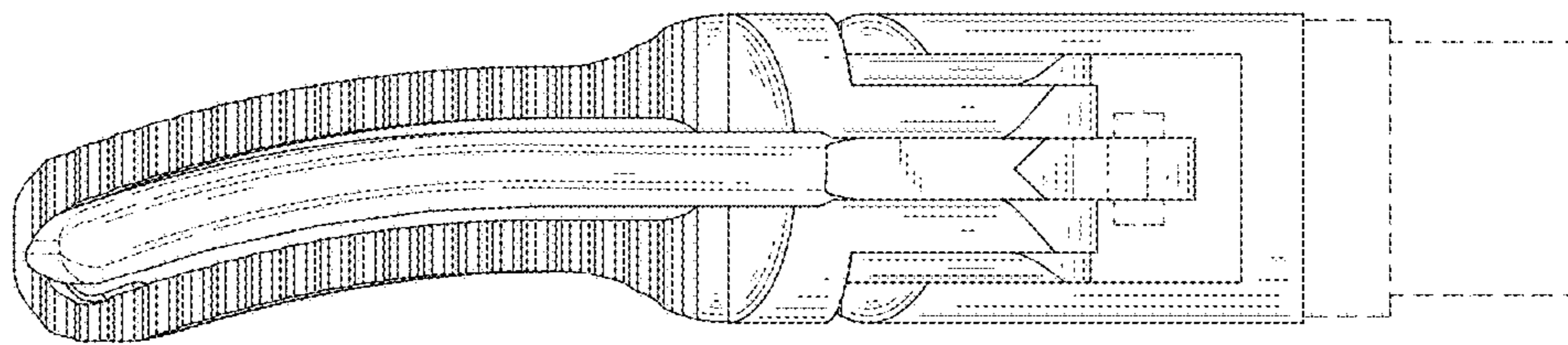


FIG. 7

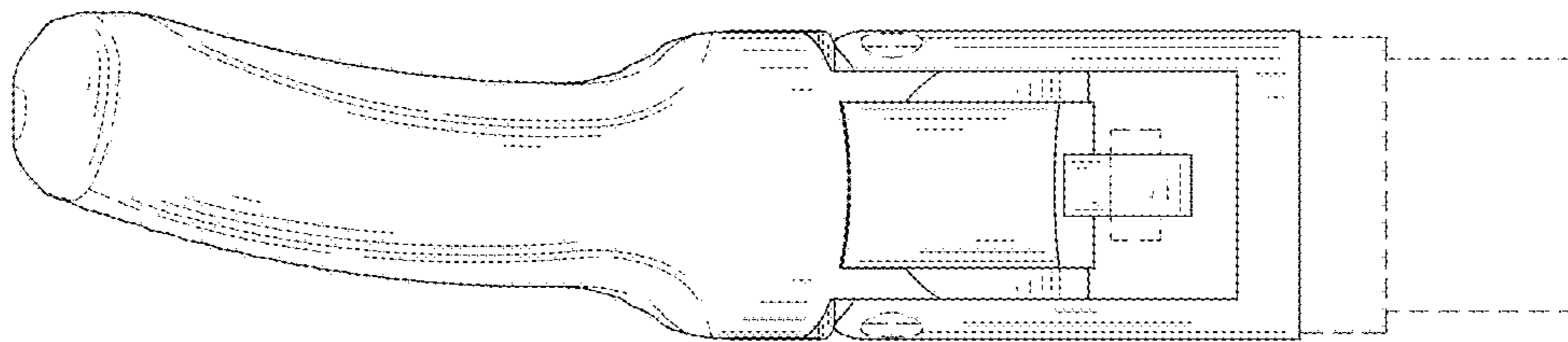


FIG. 8

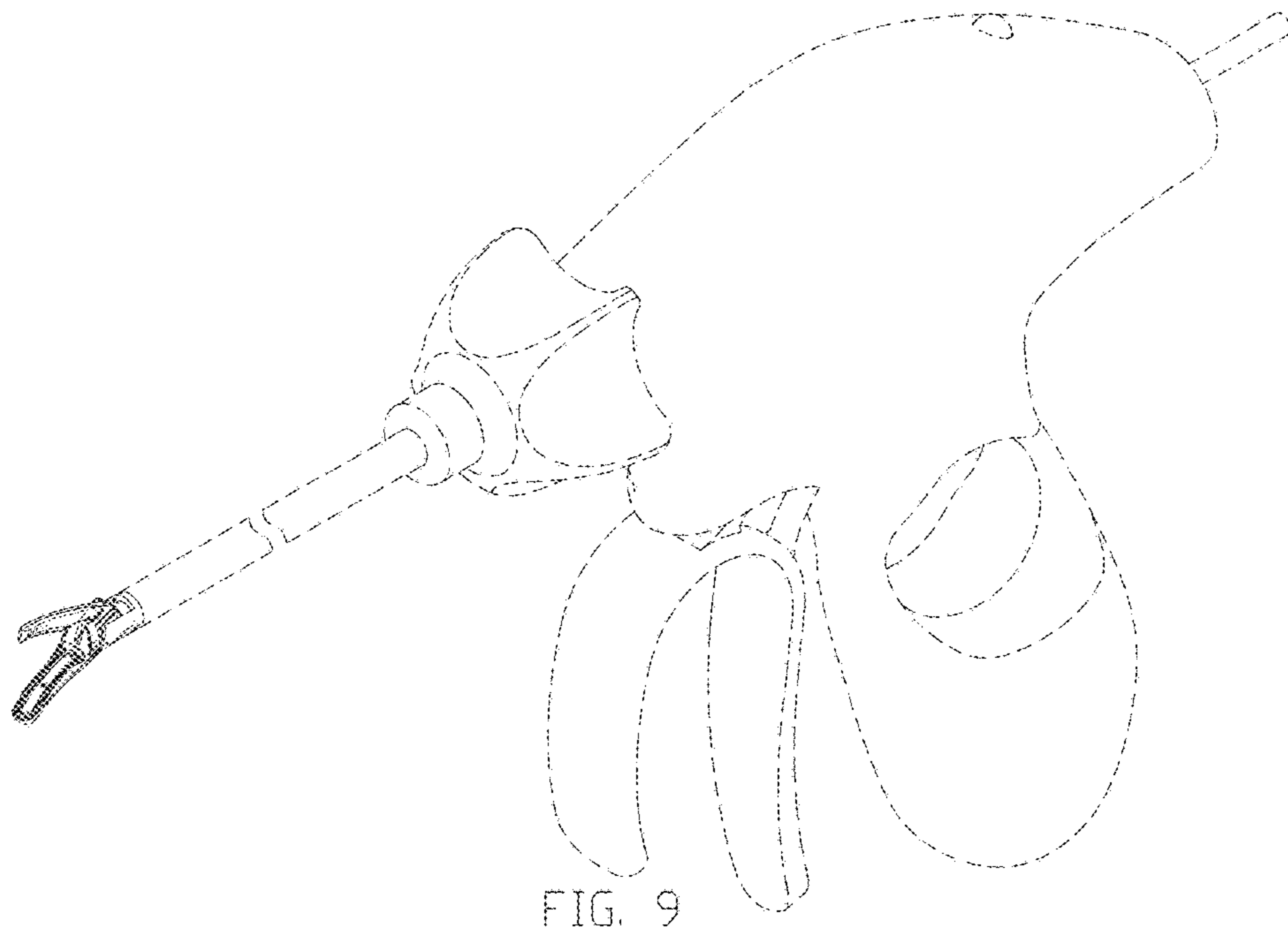


FIG. 9

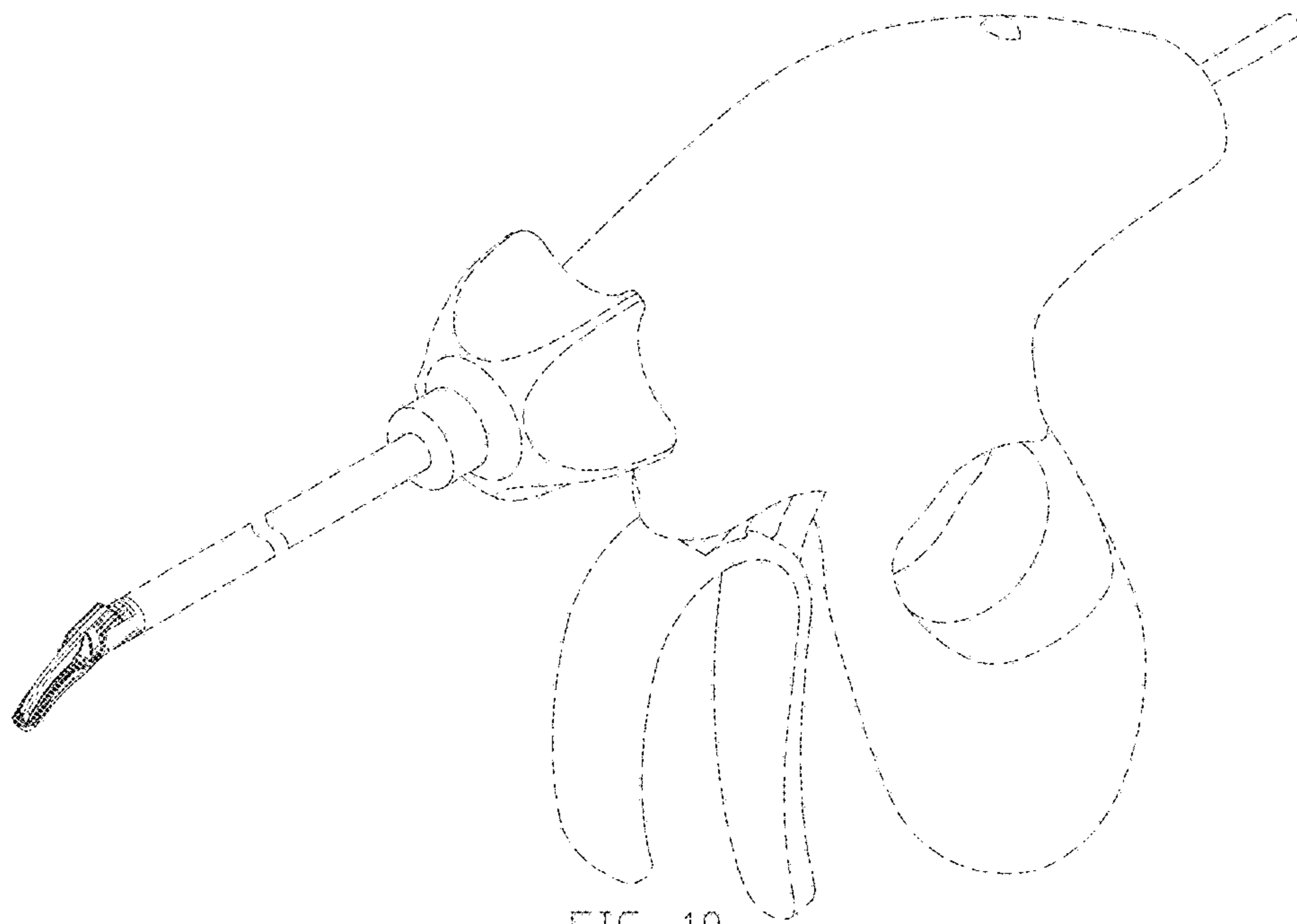


FIG. 10