



US00D866758S

(12) **United States Design Patent** (10) **Patent No.:** **US D866,758 S**
Chen et al. (45) **Date of Patent:** **** Nov. 12, 2019**

(54) **STETHOSCOPE**

(71) Applicant: **Zhuhai Akso m-health technology co., Ltd.**, Zhuhai, Guangdong Province (CN)
(72) Inventors: **Zhi Chen**, Zhuhai (CN); **James Gong**, Zhuhai (CN); **Touch Zou**, Zhuhai (CN)
(73) Assignee: **ZHUHAI AKSO M-HEALTH TECHNOLOGY CO., LTD.**, Zhuhai, Guangdong Province (CN)

(**) Term: **15 Years**

(21) Appl. No.: **29/601,692**

(22) Filed: **Apr. 25, 2017**

(30) **Foreign Application Priority Data**

Feb. 24, 2017 (CN) 2017 3 0050749

(51) **LOC (12) Cl.** **24-02**

(52) **U.S. Cl.**
USPC **D24/134**

(58) **Field of Classification Search**
USPC D24/134
CPC A61B 7/02; A61B 7/04; A61B 7/00; A61B 7/003; A61B 5/024; A61B 5/08; A61B 5/0816; A61B 8/0883
See application file for complete search history.

(56) **References Cited**

U.S. PATENT DOCUMENTS

D197,041 S * 12/1963 Neumann et al. D24/134
D353,196 S * 12/1994 Savage D24/134
D621,504 S * 8/2010 Martinez D24/134
D639,426 S * 6/2011 Boyd D24/134

OTHER PUBLICATIONS

Bluetooth Stethoscope posted by ZhuHai Asko Mobile Medical on reddit 21 on unknown date found on Aug. 22, 2018 on <https://reddit.com/manufacturer/zhuhai-akso-mobile-medical-technology-co-ltd/>.*

* cited by examiner

Primary Examiner — Eliza Z Bennett-Hattan
(74) *Attorney, Agent, or Firm* — Scully Scott Murphy & Presser, P.C.

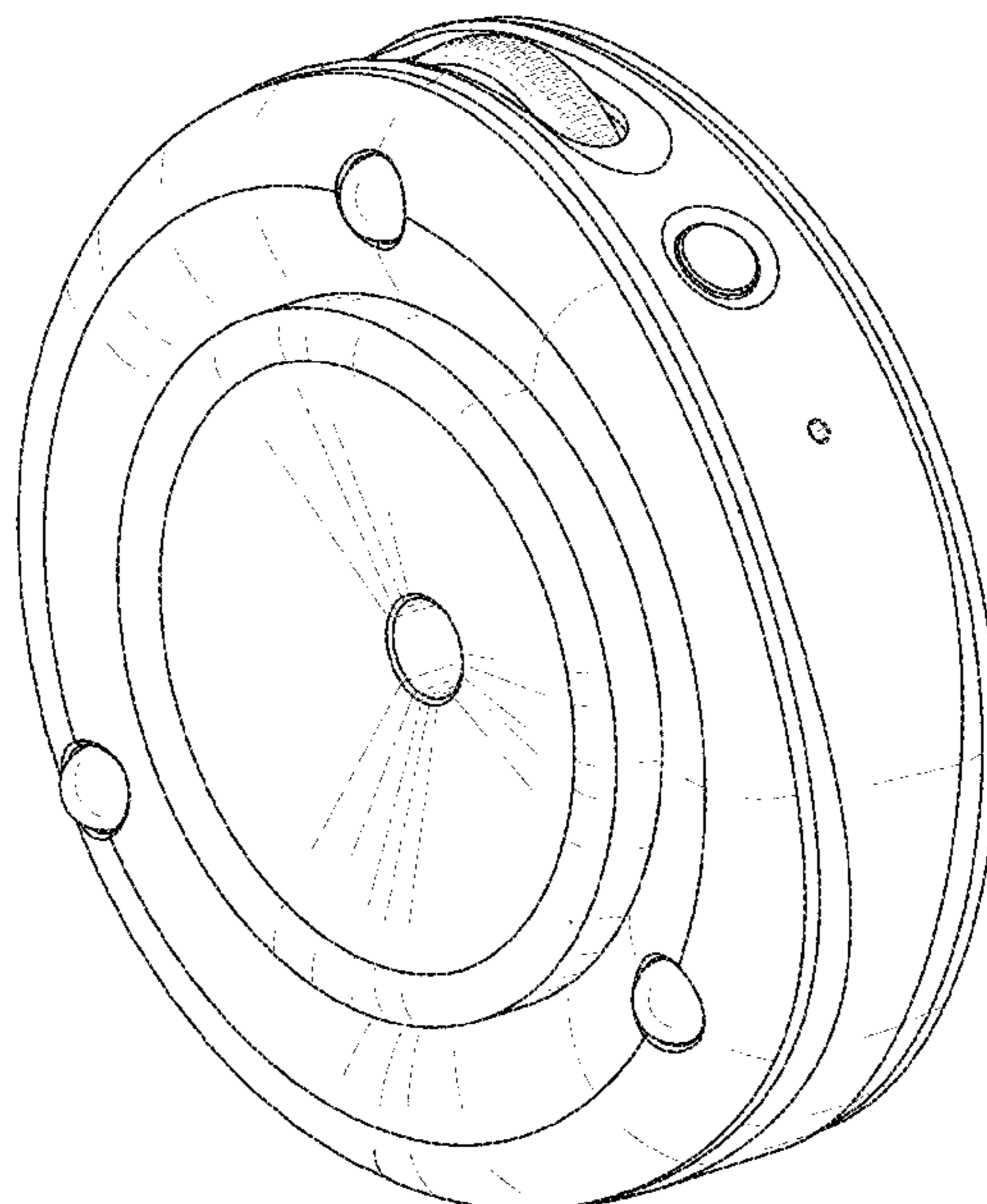
(57) **CLAIM**

The ornamental design for a stethoscope, as shown and described.

DESCRIPTION

FIG. 1 is a front perspective view of a stethoscope showing our new design;
FIG. 2 is a front elevation view thereof;
FIG. 3 is a rear elevation view thereof;
FIG. 4 is a left elevation view thereof;
FIG. 5 is a right elevation view thereof;
FIG. 6 is a top plan view thereof;
FIG. 7 is a bottom plan view thereof; and,
FIG. 8 is a rear perspective view thereof.
The broken lines illustrate portions of the stethoscope that form no part of the claimed design.

1 Claim, 8 Drawing Sheets



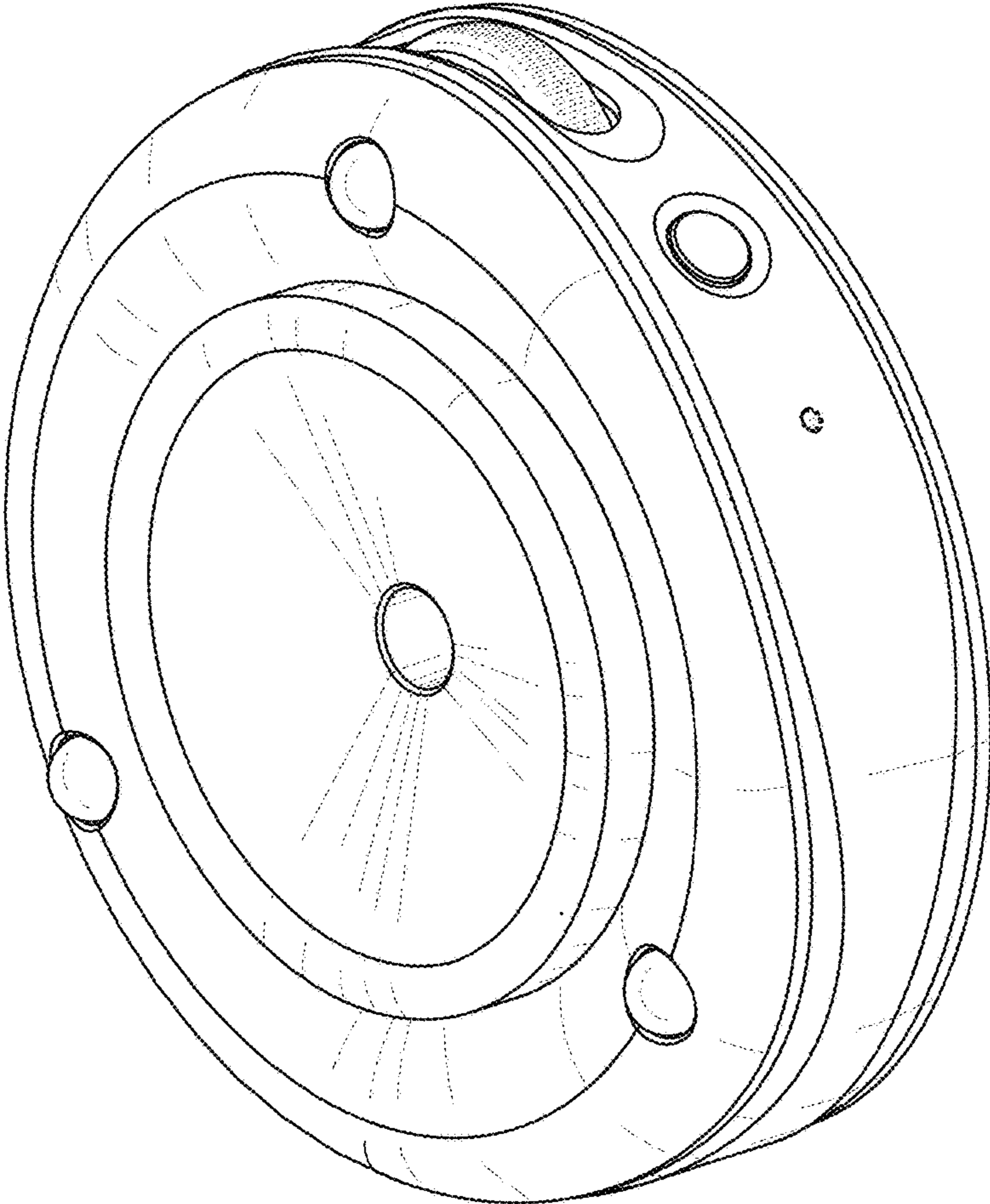


FIG. 1

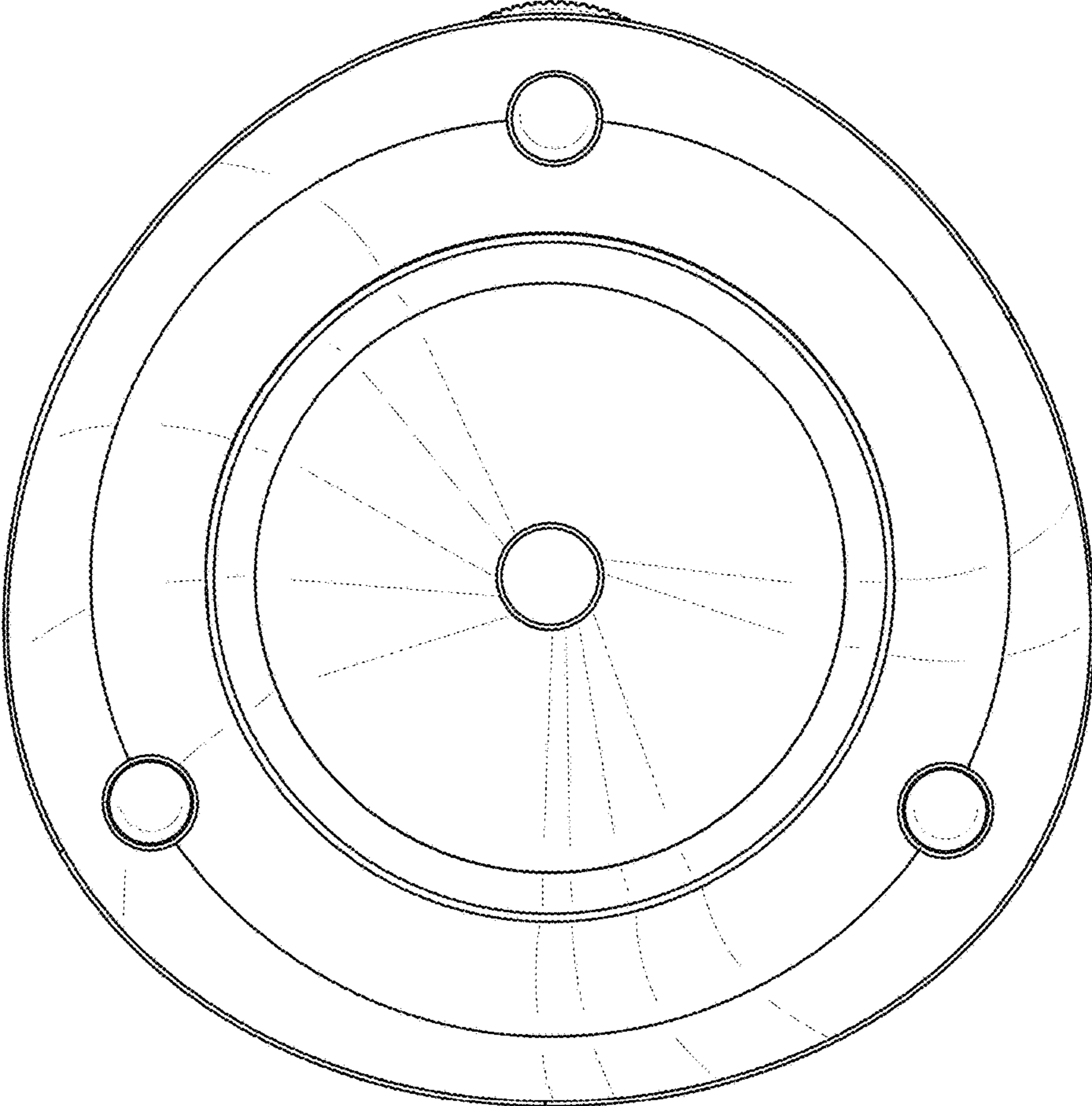


FIG.2

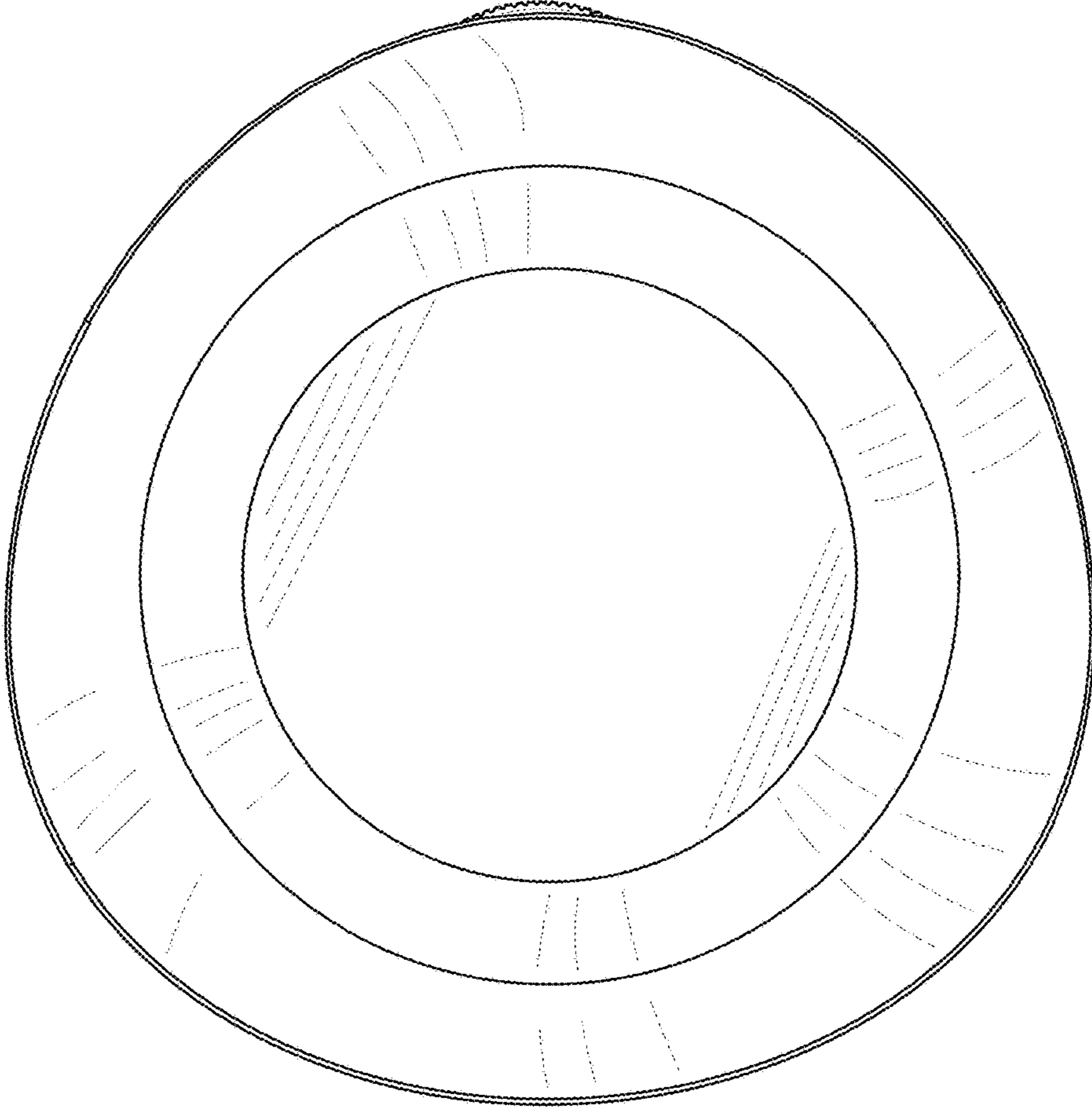


FIG.3

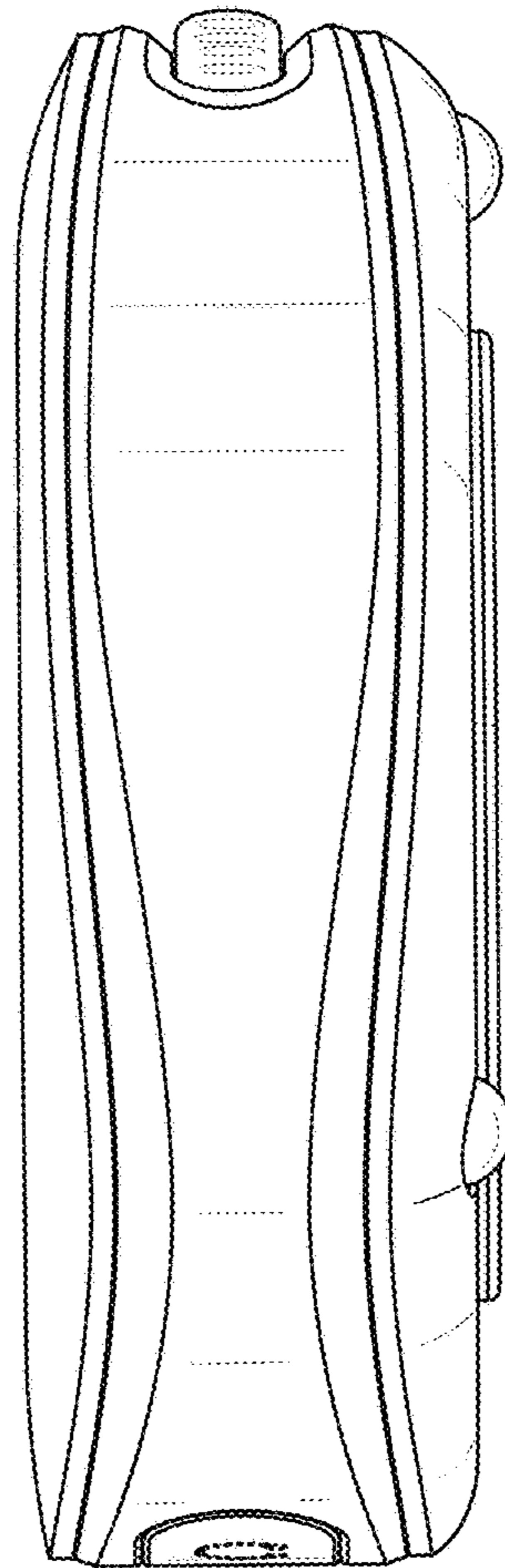


FIG.4

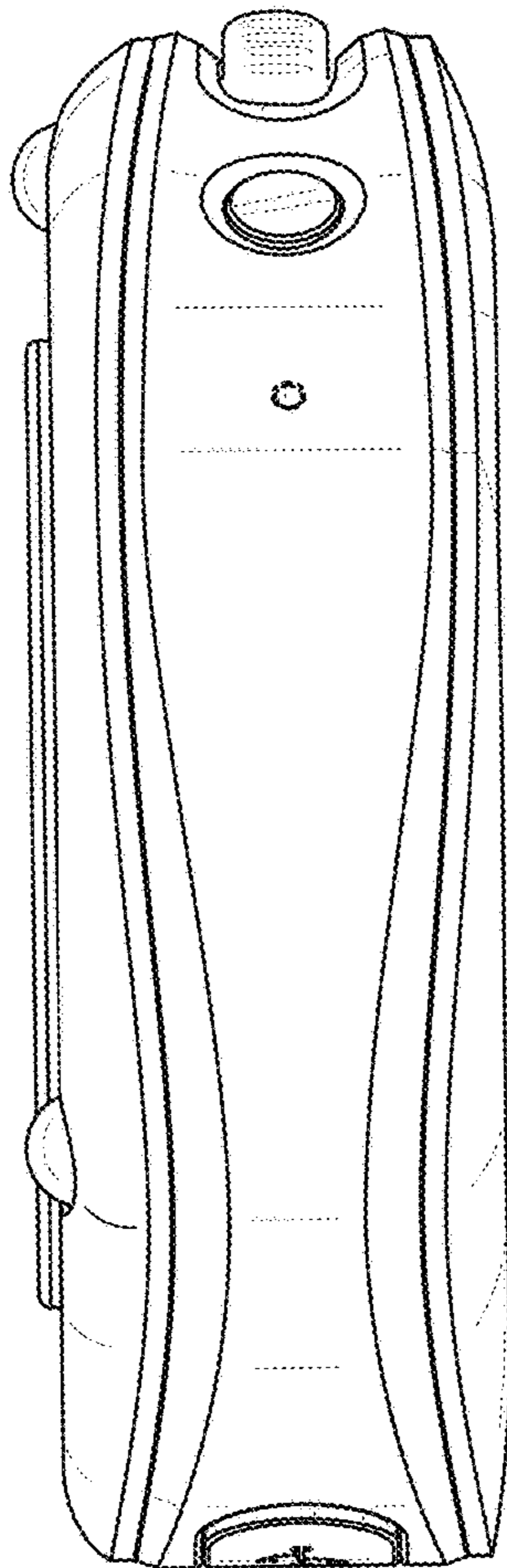


FIG.5

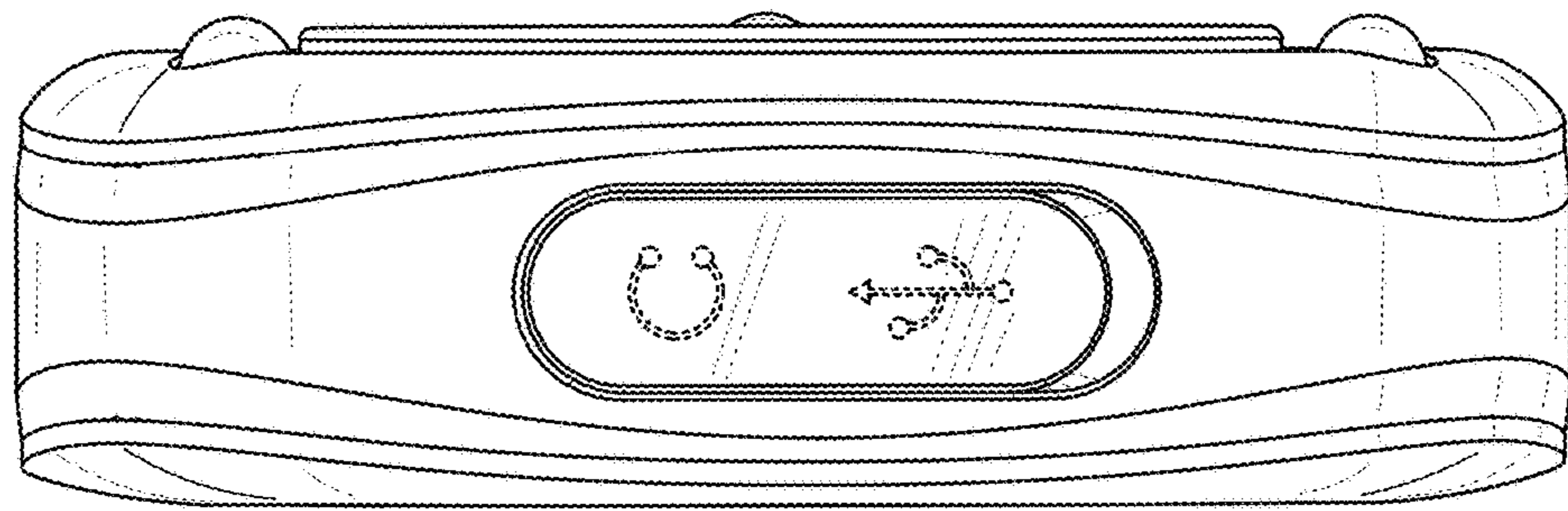


FIG.6

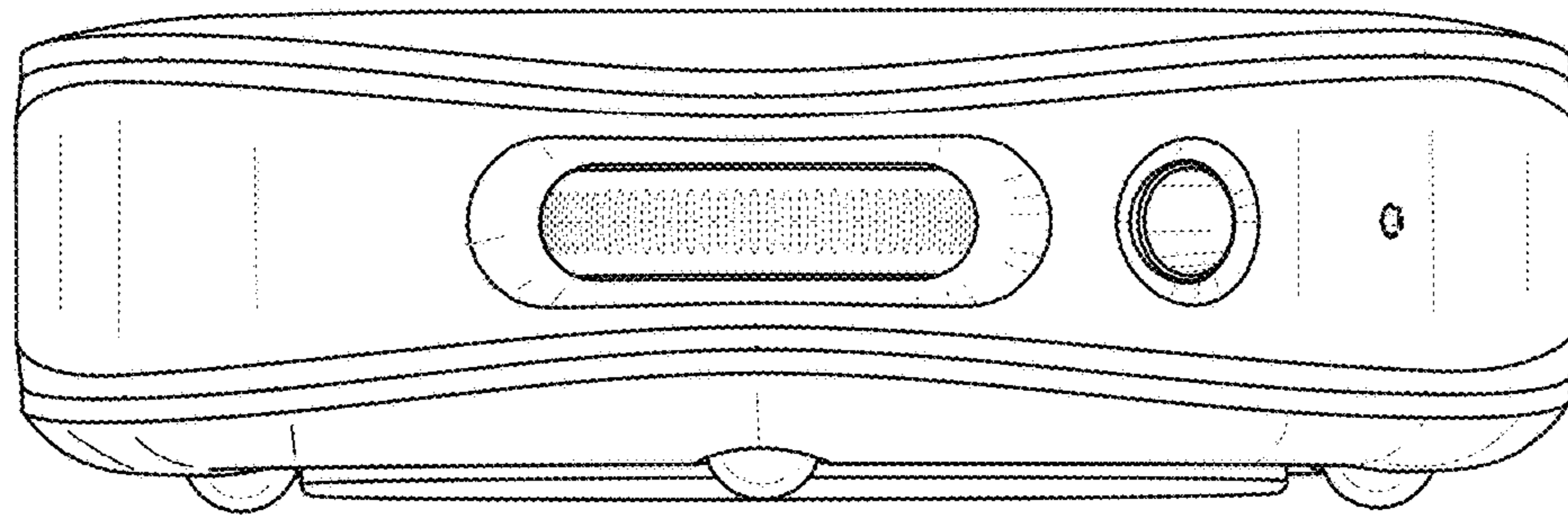


FIG.7

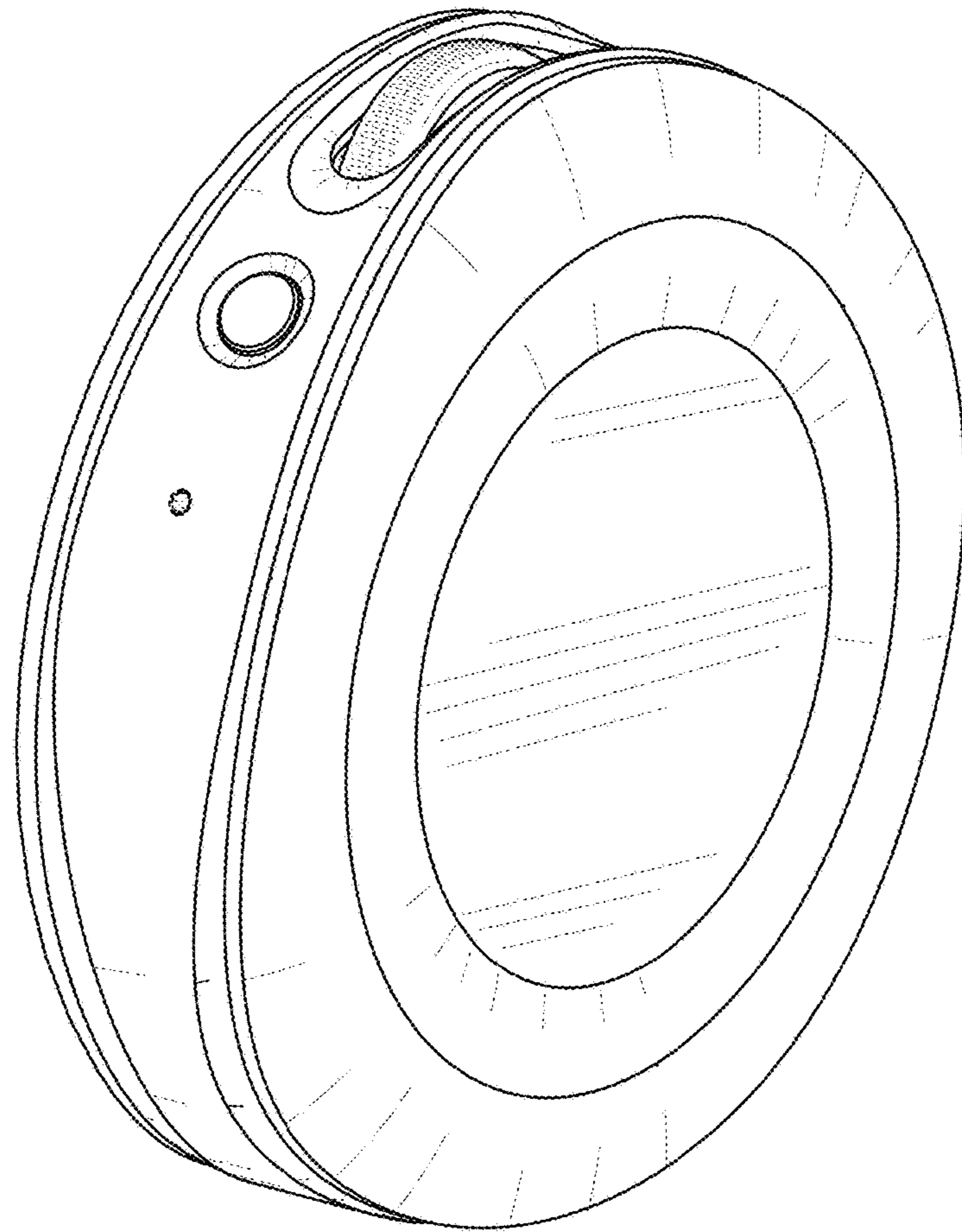


FIG.8