



US00D866751S

(12) **United States Design Patent**
Rogge et al.

(10) **Patent No.:** **US D866,751 S**

(45) **Date of Patent:** **** Nov. 12, 2019**

(54) **INJECTION DEVICE**

(71) Applicant: **Sanofi**, Paris (FR)

(72) Inventors: **Christian Rogge**, München (DE);
Philipp Oster, München (DE); **Carolin Frontzek**, München (DE); **James Collins**, Bridgewater, NJ (US); **Alex Zuyev**, Frankfurt am Main (DE); **Kai Scheinert**, Frankfurt am Main (DE);
Uwe Dasbach, Frankfurt am Main (DE)

(73) Assignee: **Sanofi**, Paris (FR)

(**) Term: **15 Years**

(21) Appl. No.: **29/648,569**

(22) Filed: **May 22, 2018**

(51) **LOC (12) Cl.** **24-02**

(52) **U.S. Cl.**
USPC **D24/113**

(58) **Field of Classification Search**
USPC D24/112-114, 133, 186, 127-131;
606/181, 185; 604/264, 272, 115, 232,
604/187, 158, 164.08, 192, 263, 163, 181,
604/184, 198, 227; 600/101, 139, 143;
128/200.24, 207.14, 207.15;
D19/115-123, 177, 193
CPC A61M 5/3156; A61M 5/31591; A61M
5/3155; A61M 5/3157; A61M 5/24;
A61M 5/31501; A61M 5/31551; A61M
5/31585; A61M 2005/2407; A61M
2005/2492; A61M 2205/581; A61M
2205/582

See application file for complete search history.

(56) **References Cited**

U.S. PATENT DOCUMENTS

D628,690 S * 12/2010 Galbraith D24/114
D696,397 S * 12/2013 Guarraia D24/113

D696,772 S * 12/2013 Schneider D24/113
D708,317 S * 7/2014 Schneider D24/113
D714,932 S * 10/2014 Hall D24/112
D728,782 S * 5/2015 Dubuc D24/113
D757,255 S * 5/2016 Wohlfahrt D24/113
D770,610 S * 11/2016 Saussaye D24/113
D773,648 S * 12/2016 Wohlfahrt D24/113
D780,909 S * 3/2017 Burkett D24/113
D789,528 S * 6/2017 Wohlfahrt D24/130
D793,547 S * 8/2017 Burkett D24/112
D794,178 S * 8/2017 Daniel A61M 5/2033
D24/113
D810,282 S * 2/2018 Ratjen D24/113
D814,022 S * 3/2018 Boyaval D24/113
D819,198 S * 5/2018 Boyaval D24/113
D819,200 S * 5/2018 Stonecipher D24/114
D822,198 S * 7/2018 Stonecipher D24/113
2014/0330216 A1 * 11/2014 Weaver A61M 5/31513
604/198

(Continued)

Primary Examiner — David G Muller

Assistant Examiner — Nathan M Johnston

(74) *Attorney, Agent, or Firm* — Fish & Richardson P.C.

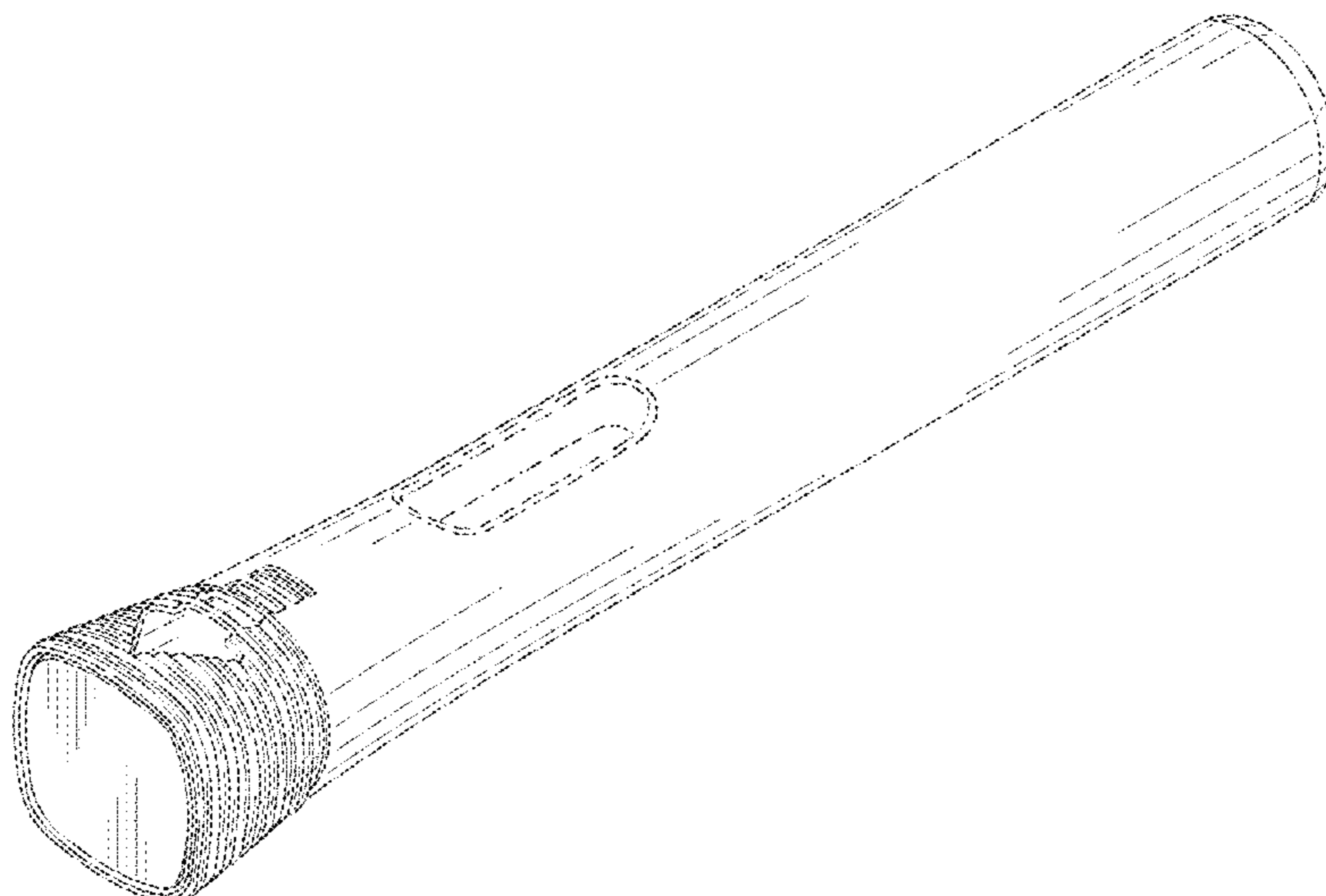
(57) **CLAIM**

The ornamental design for an injection device, substantially as shown and described.

DESCRIPTION

FIG. 1 is a perspective view of an injection device showing our new design;
FIG. 2 is a front elevation view thereof;
FIG. 3 is a rear elevation view thereof;
FIG. 4 is a first side elevation view thereof;
FIG. 5 is a second side elevation view thereof;
FIG. 6 is a top plan view thereof; and,
FIG. 7 is a bottom plan view thereof.
The broken line statement is permissible and is retained in its position between the figure descriptions and the claim.

1 Claim, 4 Drawing Sheets



(56)

References Cited

U.S. PATENT DOCUMENTS

2014/0364812 A1* 12/2014 Lumme A61M 5/2033
604/198
2016/0144132 A1* 5/2016 Scanlon A61M 5/3204
604/192
2016/0303327 A1* 10/2016 Moren A61M 5/2033
2018/0104414 A1* 4/2018 Karlsson A61M 5/2033
2018/0154078 A1* 6/2018 Mosebach A61M 5/2033
2018/0361082 A1* 12/2018 Sall A61M 5/5086
2018/0369490 A1* 12/2018 Rehbein A61M 5/24

* cited by examiner

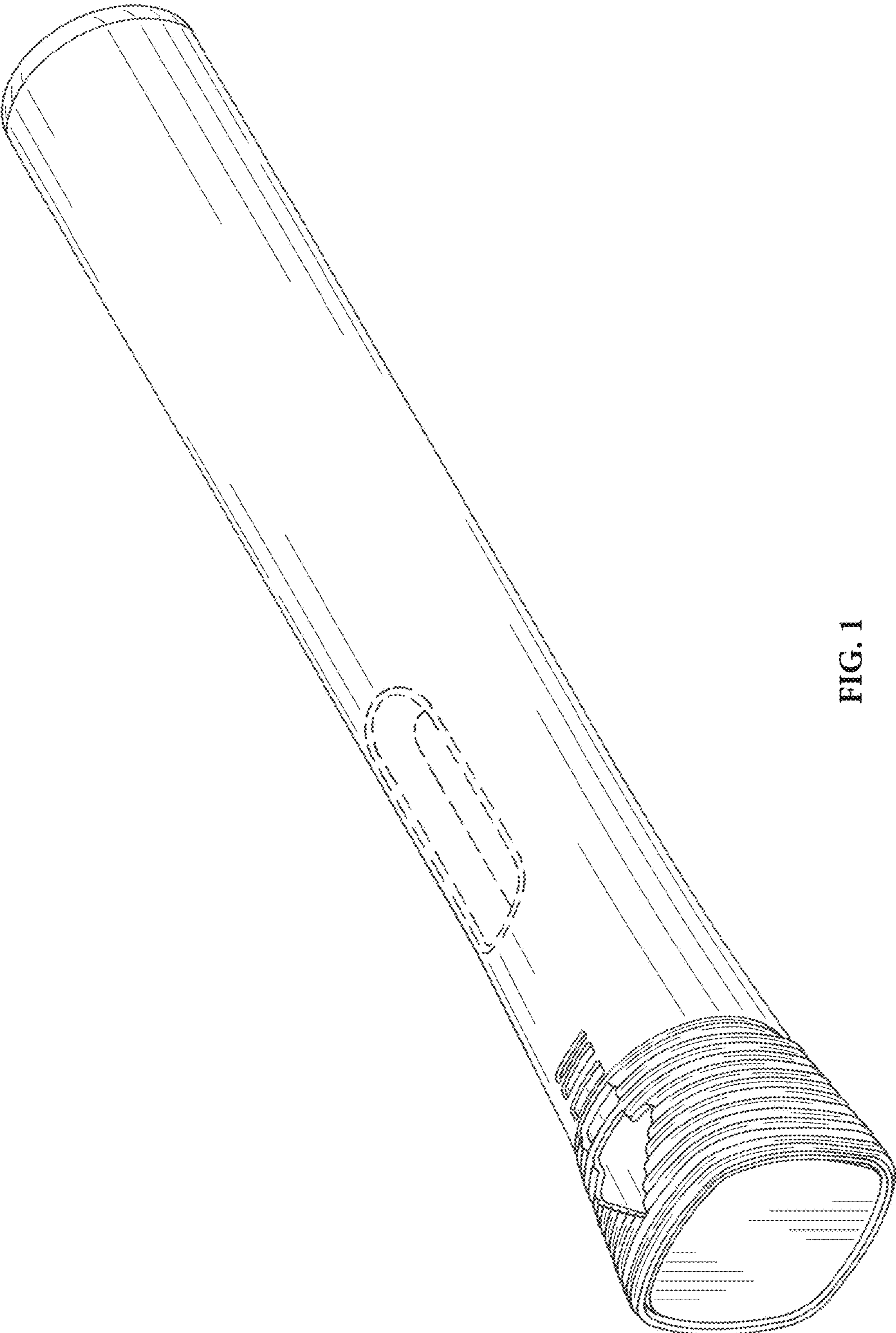


FIG. 1

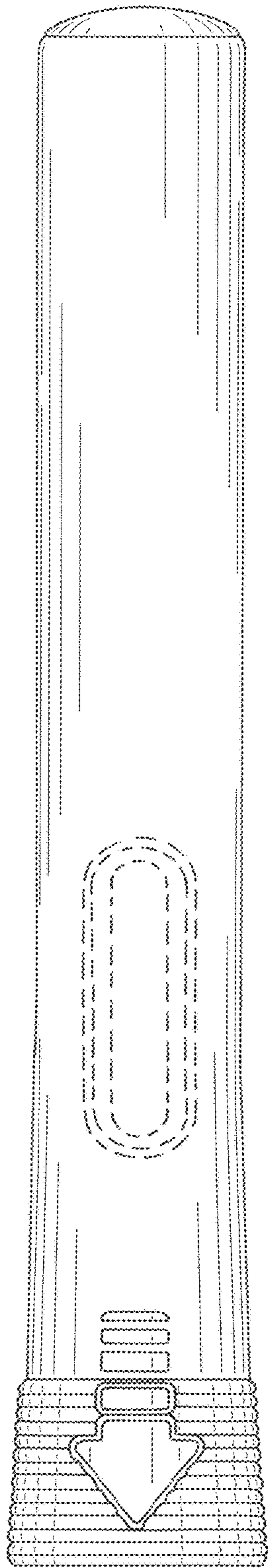


FIG. 2

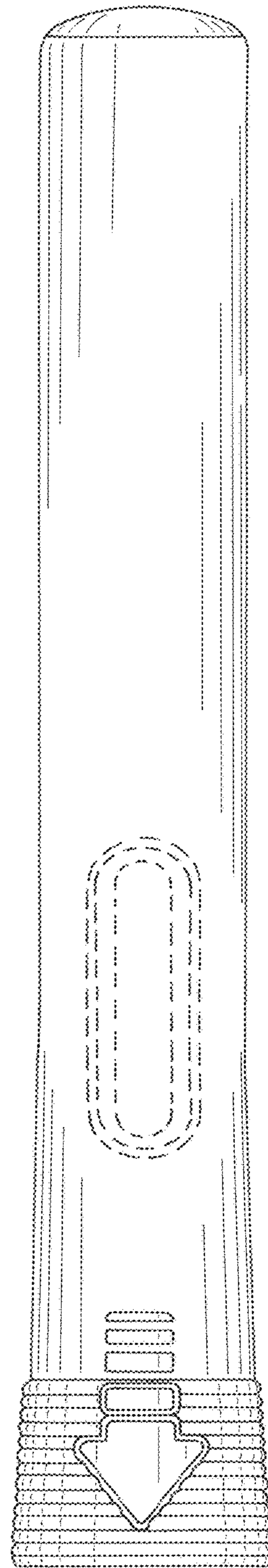


FIG. 3

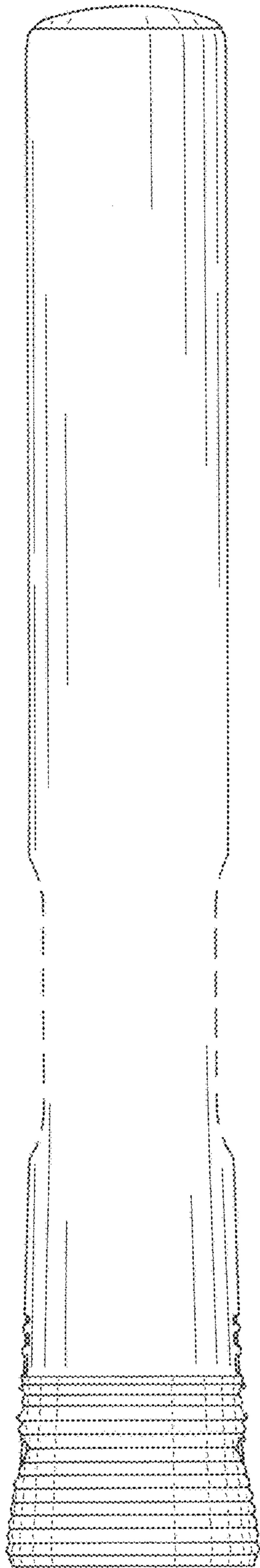


FIG. 4

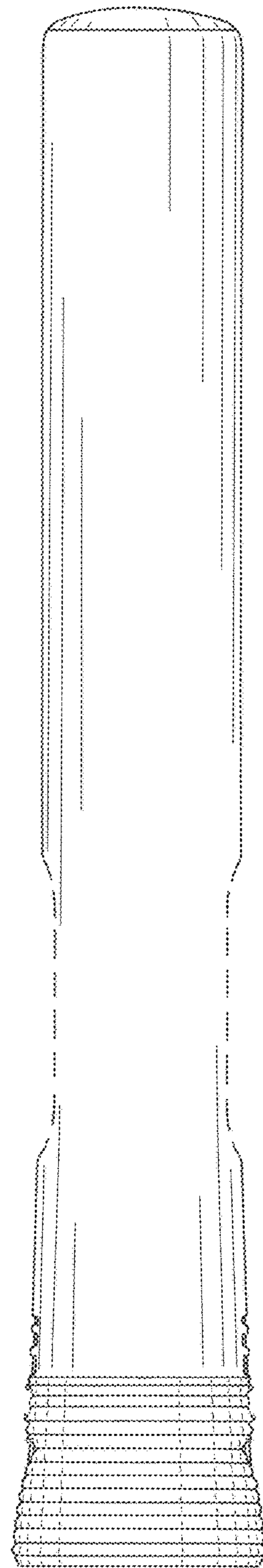


FIG. 5

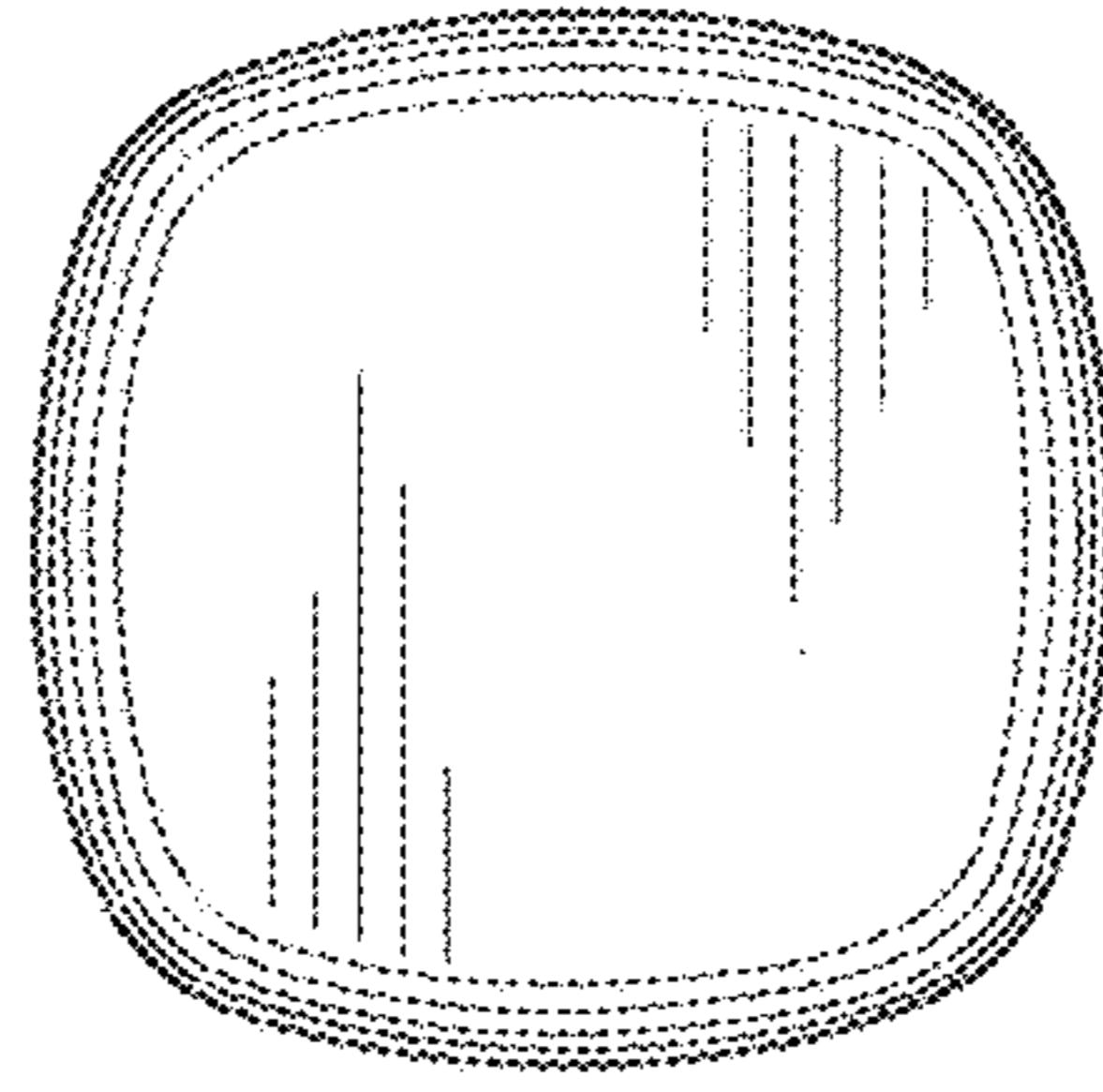


FIG. 6

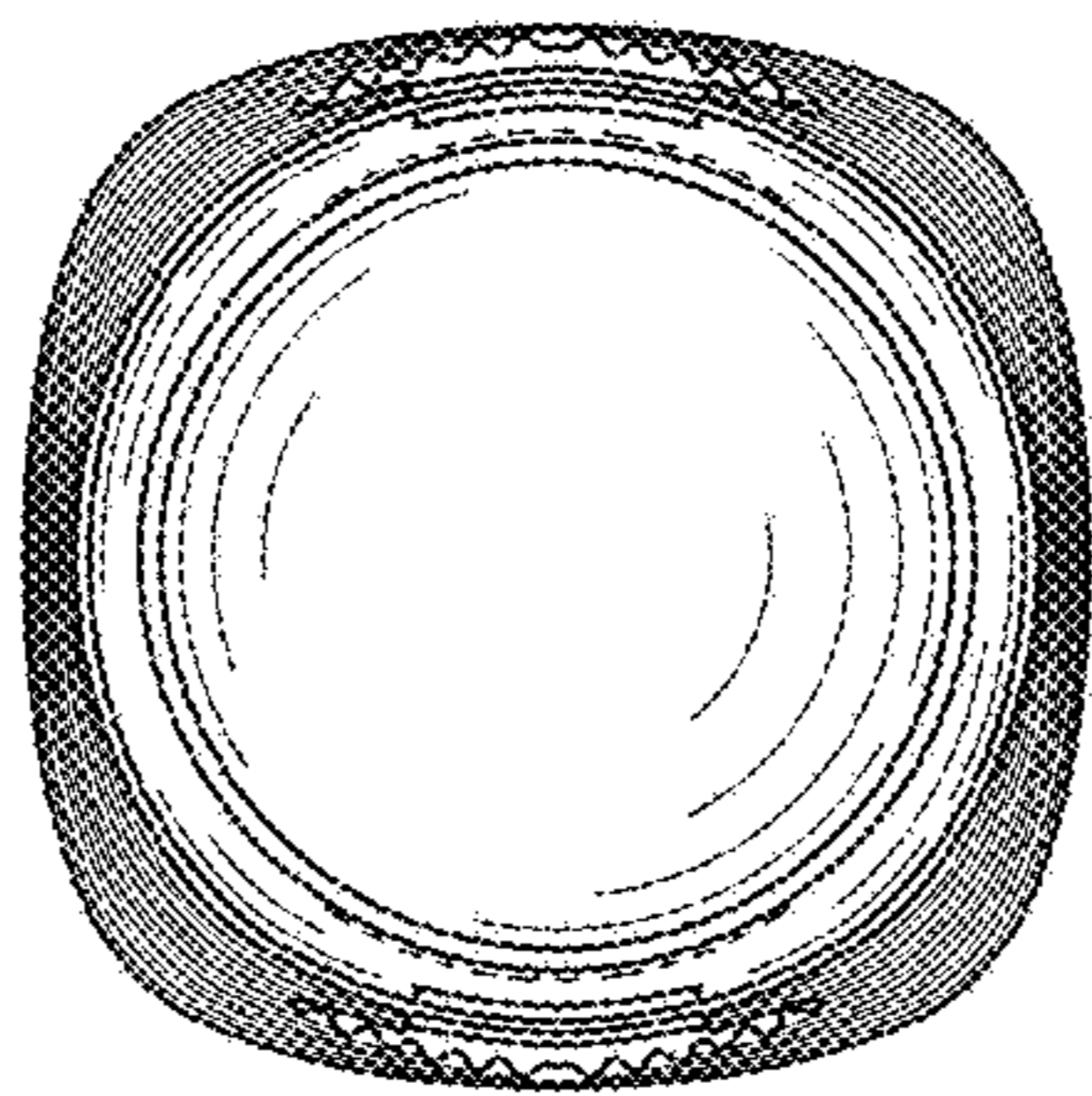


FIG. 7

UNITED STATES PATENT AND TRADEMARK OFFICE
CERTIFICATE OF CORRECTION

PATENT NO. : D866,751 S
APPLICATION NO. : 29/648569
DATED : November 12, 2019
INVENTOR(S) : Christian Rogge et al.

Page 1 of 1

It is certified that error appears in the above-identified patent and that said Letters Patent is hereby corrected as shown below:

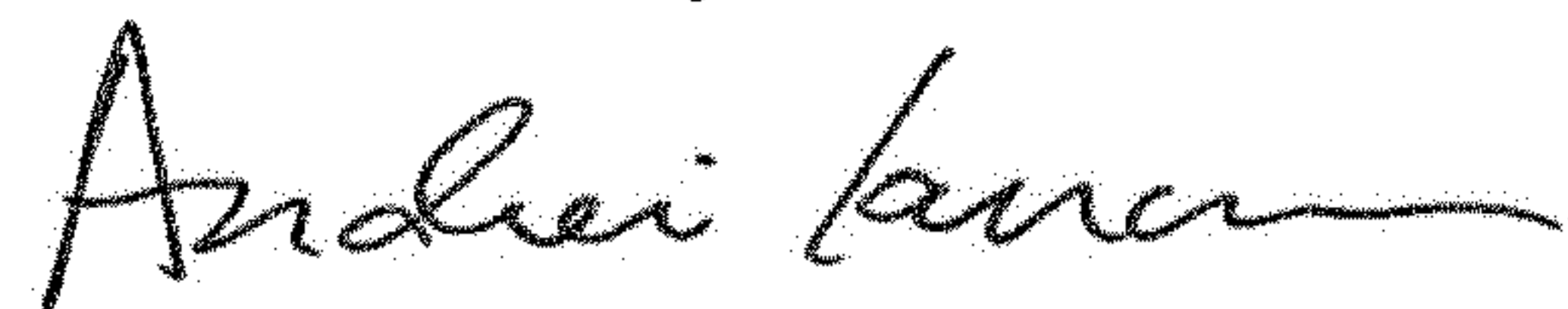
On the Title Page

After item (22), insert:

-- (30) **Foreign Application Priority Data**

Nov. 23, 2017 (EM)004520054 --

Signed and Sealed this
Thirteenth Day of October, 2020



Andrei Iancu
Director of the United States Patent and Trademark Office