

US00D866749S

(12) **United States Design Patent**
Ash et al.

(10) **Patent No.:** **US D866,749 S**

(45) **Date of Patent:** **** Nov. 12, 2019**

(54) **INFUSION PUMP**

(71) Applicant: **Infusion Innovations Pty Ltd**, Findon (AU)

(72) Inventors: **Gabriel Ash**, Kensington (AU); **Paul Crockett**, Fairview Park (AU); **Andrew Sluggett**, Rostrevor (AU); **Danny Djurasevich**, Unley Park (AU)

(73) Assignee: **INFUSION INNOVATIONS PTY LTD**, Findon, SA (AU)

(**) Term: **15 Years**

(21) Appl. No.: **29/571,640**

(22) Filed: **Jul. 20, 2016**

(30) **Foreign Application Priority Data**

Jan. 21, 2016 (AU) 201610312

(51) **LOC (12) Cl.** **24-02**

(52) **U.S. Cl.**
USPC **D24/111**

(58) **Field of Classification Search**
USPC D24/112, 113, 169, 107, 108, 111, 185, D24/186, 177
CPC A61M 5/142; A61M 2205/18; A61M 2205/52; A61M 2205/50; A61M 2005/14208; A61M 2005/14268; A61M 5/1413; A61M 5/14248; A61M 2205/3569; A61M 2205/3584; A61M 2205/505; A61M 5/14244; A61M 2205/502; A61M 5/172; A61M 5/1723; G06F 19/3418; A61B 5/14532
See application file for complete search history.

(56) **References Cited**

U.S. PATENT DOCUMENTS

D760,374 S * 6/2016 Nagar D24/108
9,883,834 B2 * 2/2018 Amirouche A61B 5/4839

D812,738 S * 3/2018 Woford D24/111
D812,739 S * 3/2018 Woford D24/111
2004/0064088 A1 * 4/2004 Gorman A61M 5/14276
604/93.01
2009/0143732 A1 * 6/2009 O'Connor A61M 5/14248
604/151
2009/0216194 A1 * 8/2009 Elgard Pedersen
A61M 5/14248
604/151
2012/0093315 A1 * 4/2012 Nierzwick H04L 63/061
380/270
2012/0191043 A1 * 7/2012 Yodfat A61M 5/14244
604/154

(Continued)

Primary Examiner — Lilyana Bekic

(74) *Attorney, Agent, or Firm* — Ziegler IP Law Group, LLC

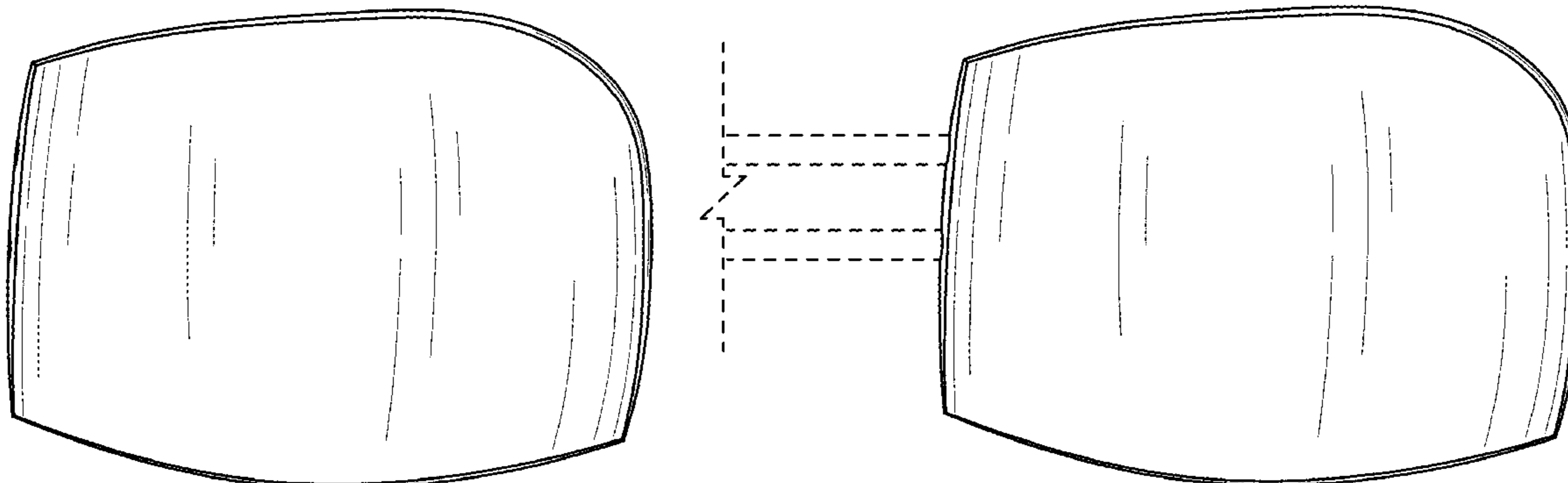
(57) **CLAIM**

The ornamental design for an infusion pump, as shown and described.

DESCRIPTION

FIG. 1 is a top plan view of first embodiment of an infusion pump showing the new design;
FIG. 2 is a bottom plan view thereof;
FIG. 3 is front elevational view thereof;
FIG. 4 is a left side elevational view thereof;
FIG. 5 is a rear elevational view thereof;
FIG. 6 is a right side elevational view thereof;
FIG. 7 is a top plan view of a second embodiment of the infusion pump showing the new design;
FIG. 8 is a bottom plan view thereof;
FIG. 9 is front elevational view thereof, shown with the tubing removed for ease of illustration;
FIG. 10 is a left side elevational view thereof;
FIG. 11 is a rear elevational view thereof; and,
FIG. 12 is a right side elevational view thereof.
The environmental structure shown with broken lines in the drawings forms no part of the claimed design.

1 Claim, 6 Drawing Sheets



(56)

References Cited

U.S. PATENT DOCUMENTS

2015/0306307 A1* 10/2015 Cole A61M 5/14248
604/508
2017/0021137 A1* 1/2017 Cole A61M 25/0606
2017/0043101 A1* 2/2017 Cole A61M 25/0631
2017/0224910 A1* 8/2017 Yodfat A61M 5/1413
2017/0224912 A1* 8/2017 Yodfat A61M 5/14248
2018/0318497 A1* 11/2018 Sluggett A61M 37/00

* cited by examiner

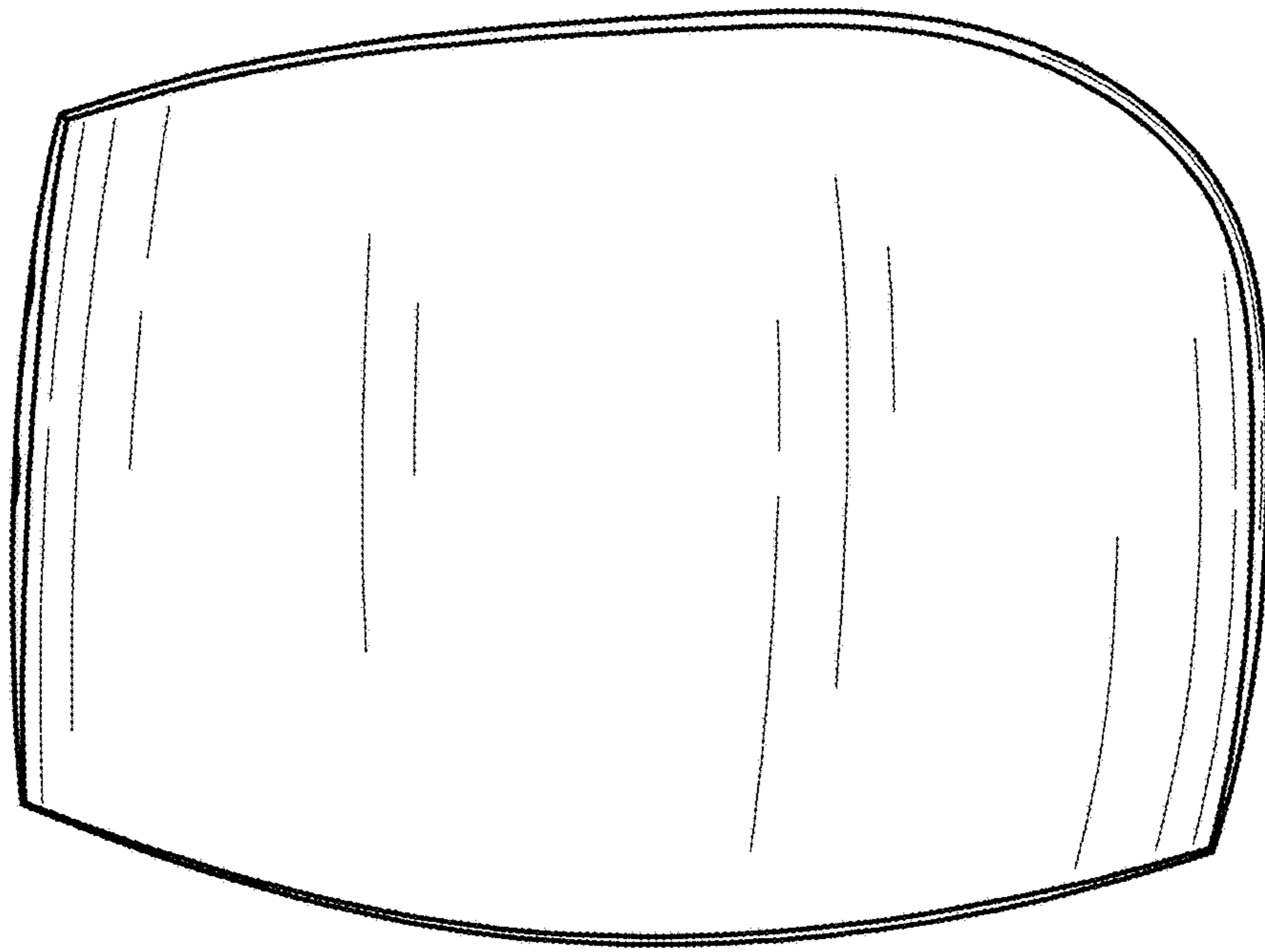


FIG. 1

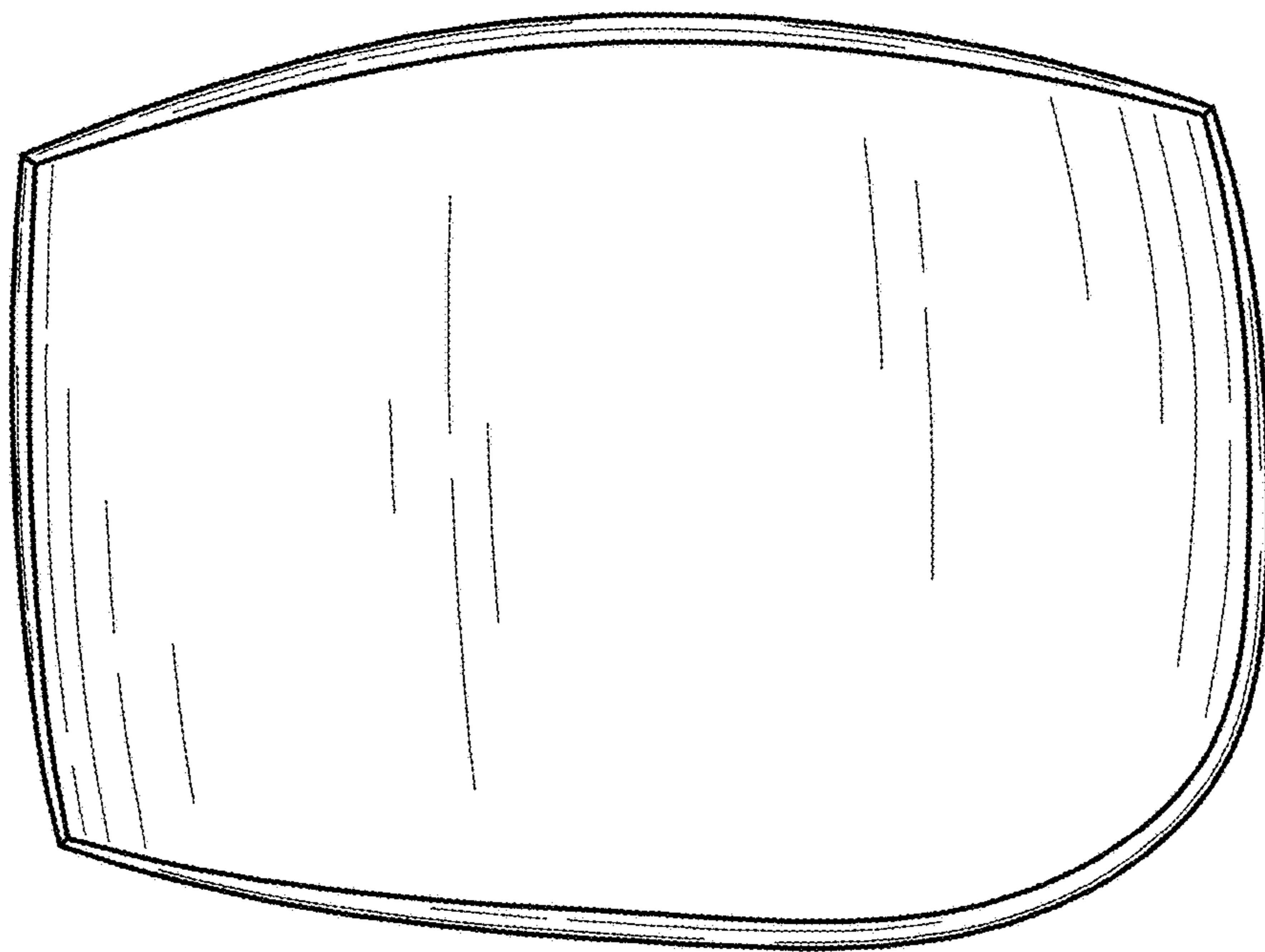


FIG. 2

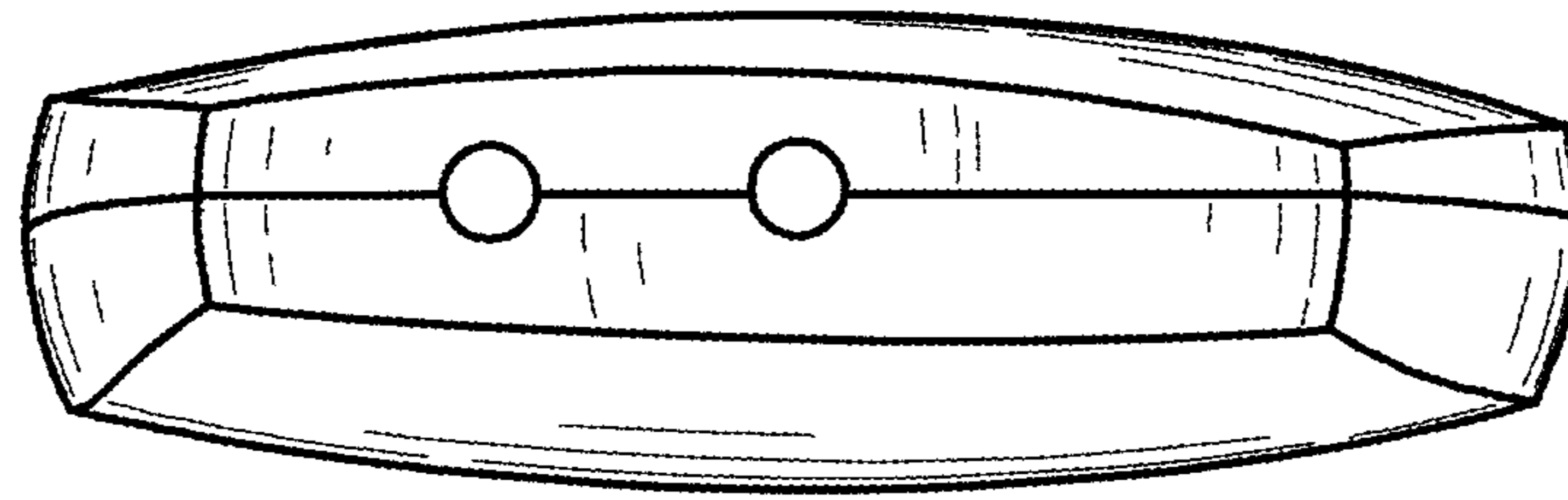


FIG. 3

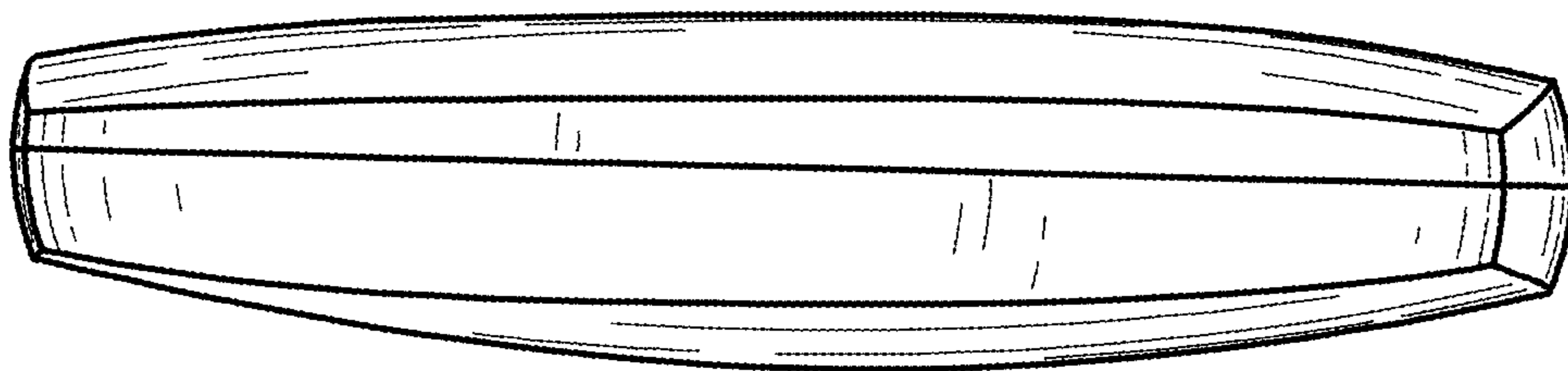


FIG. 4

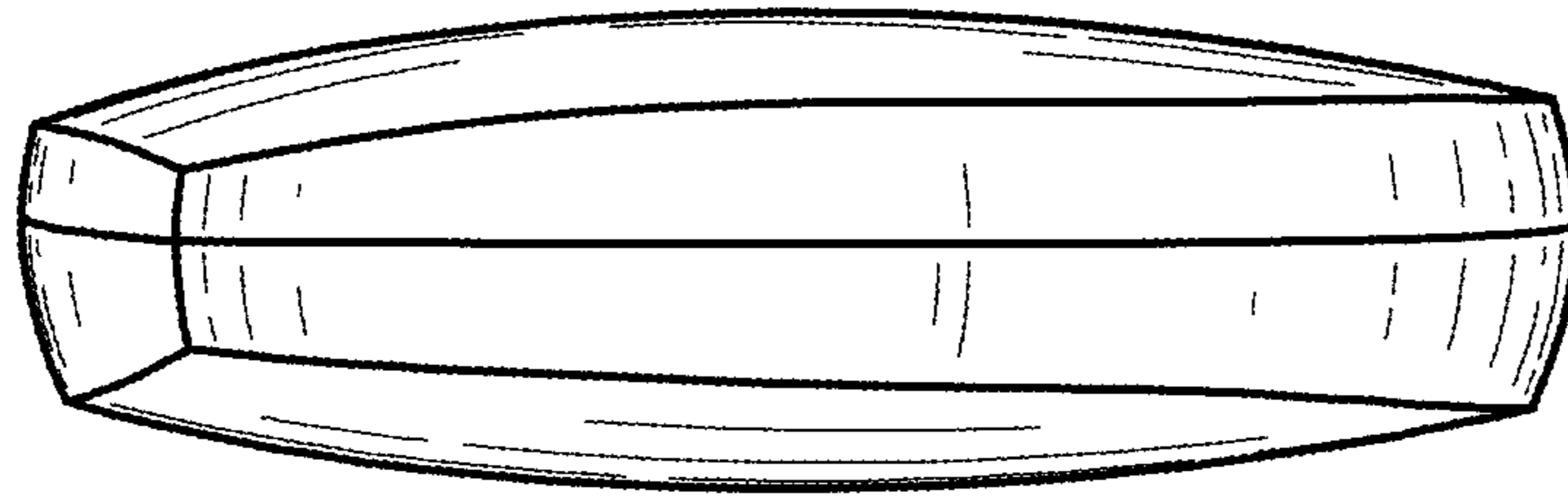


FIG. 5

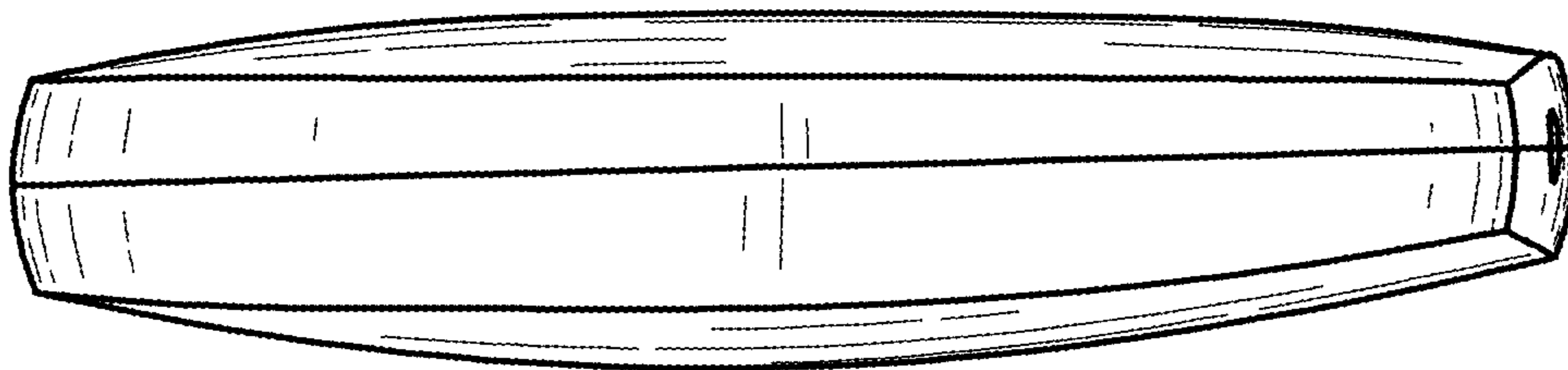


FIG. 6

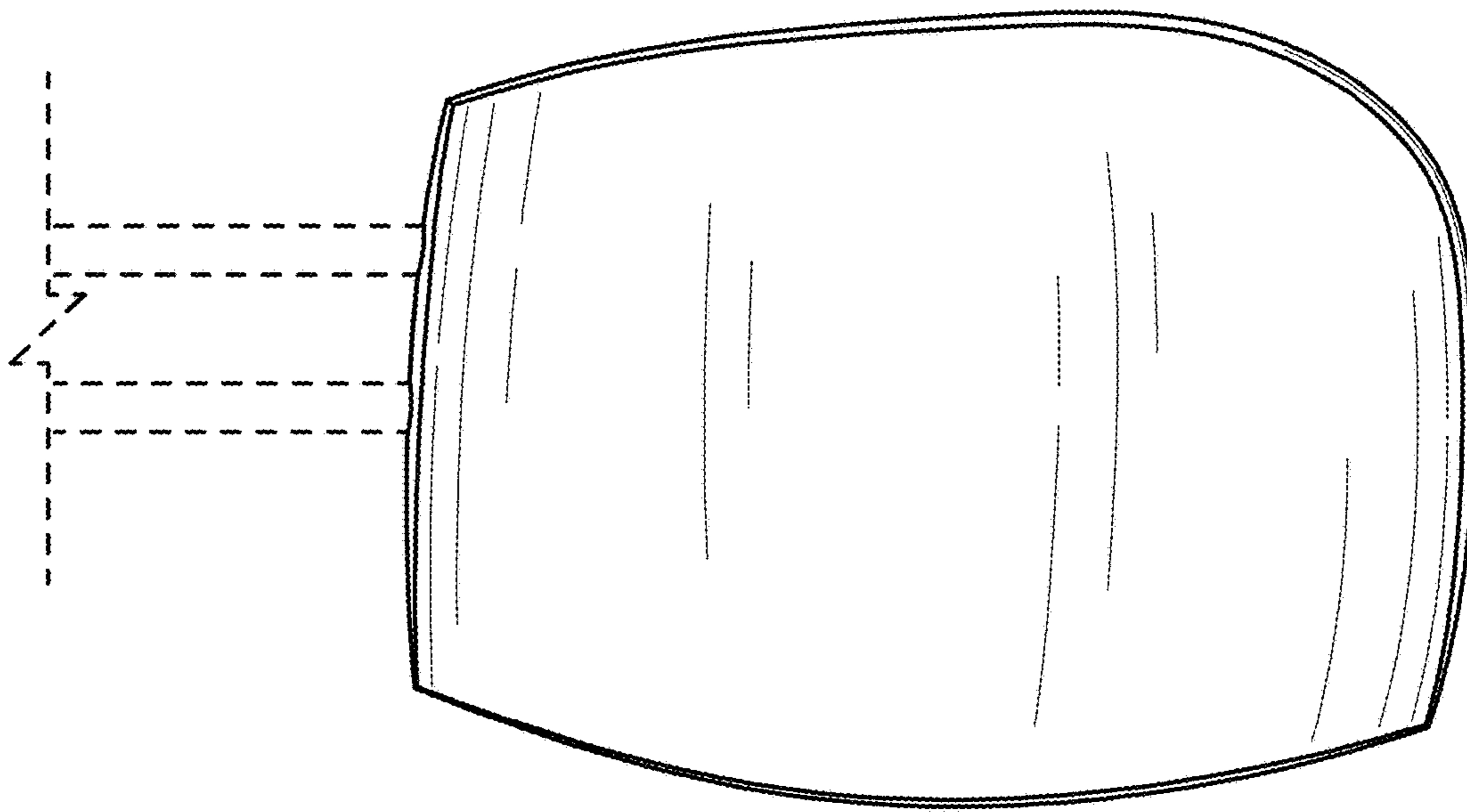


FIG. 7

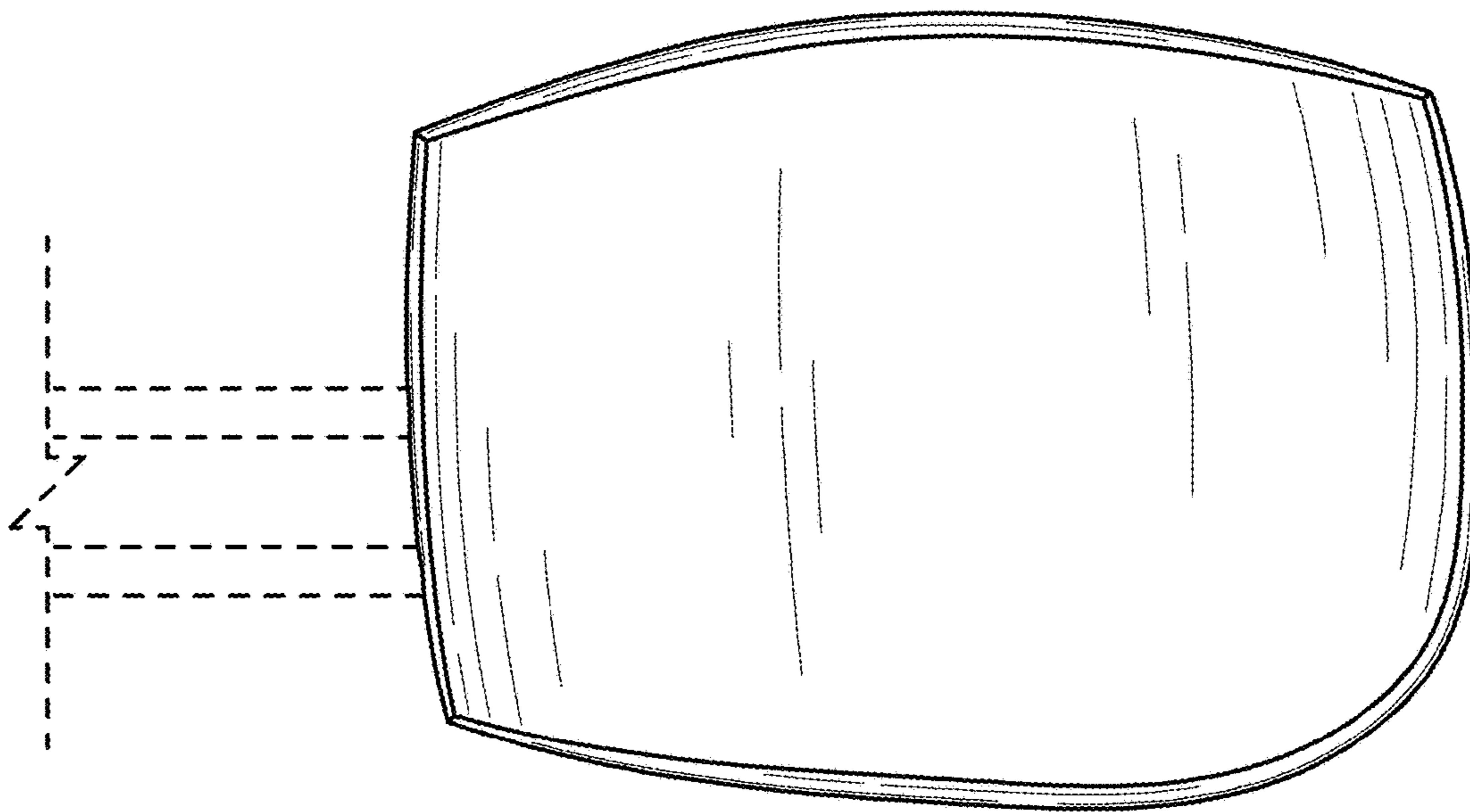


FIG. 8

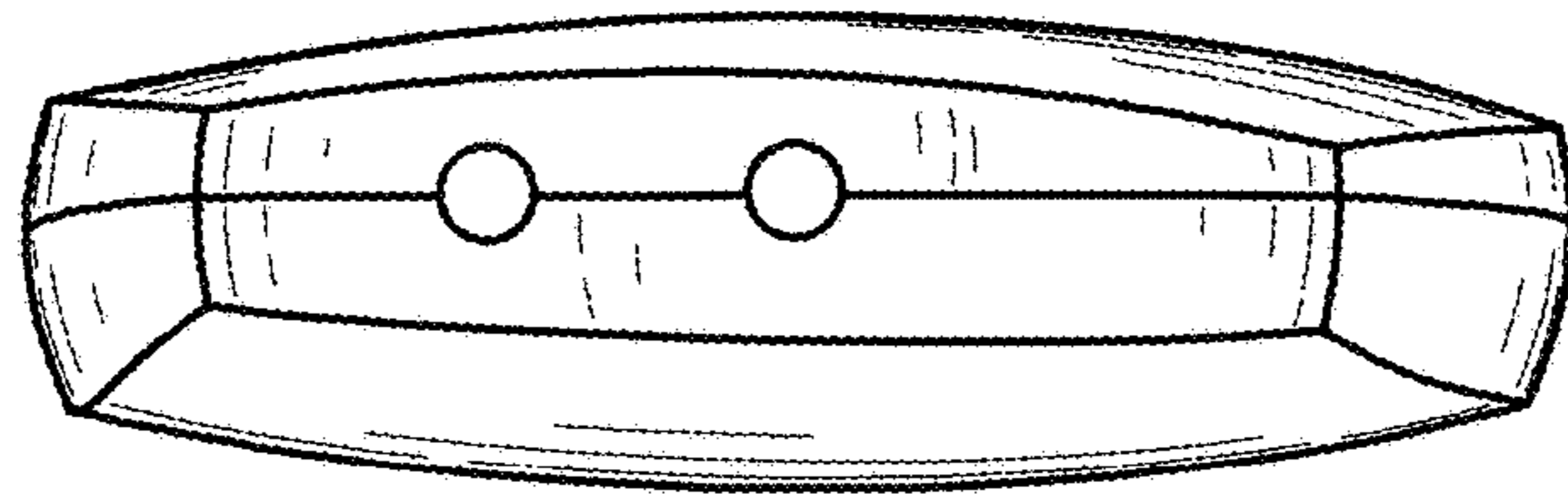


FIG. 9

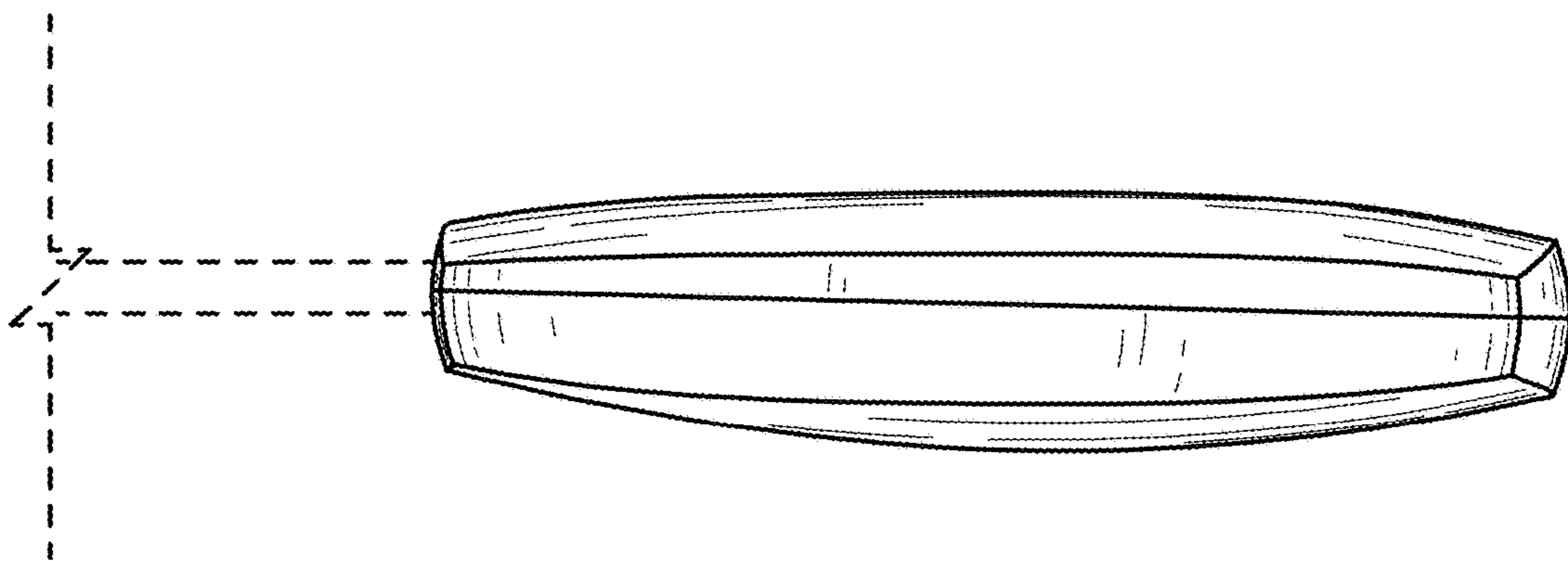


FIG. 10

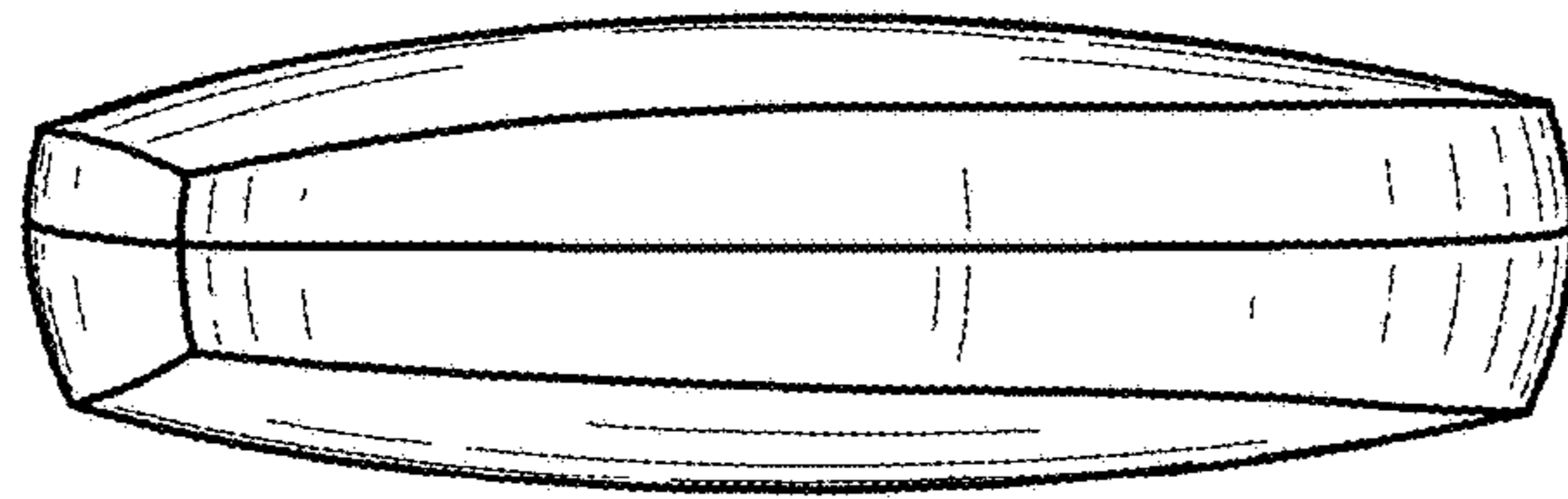


FIG. 11

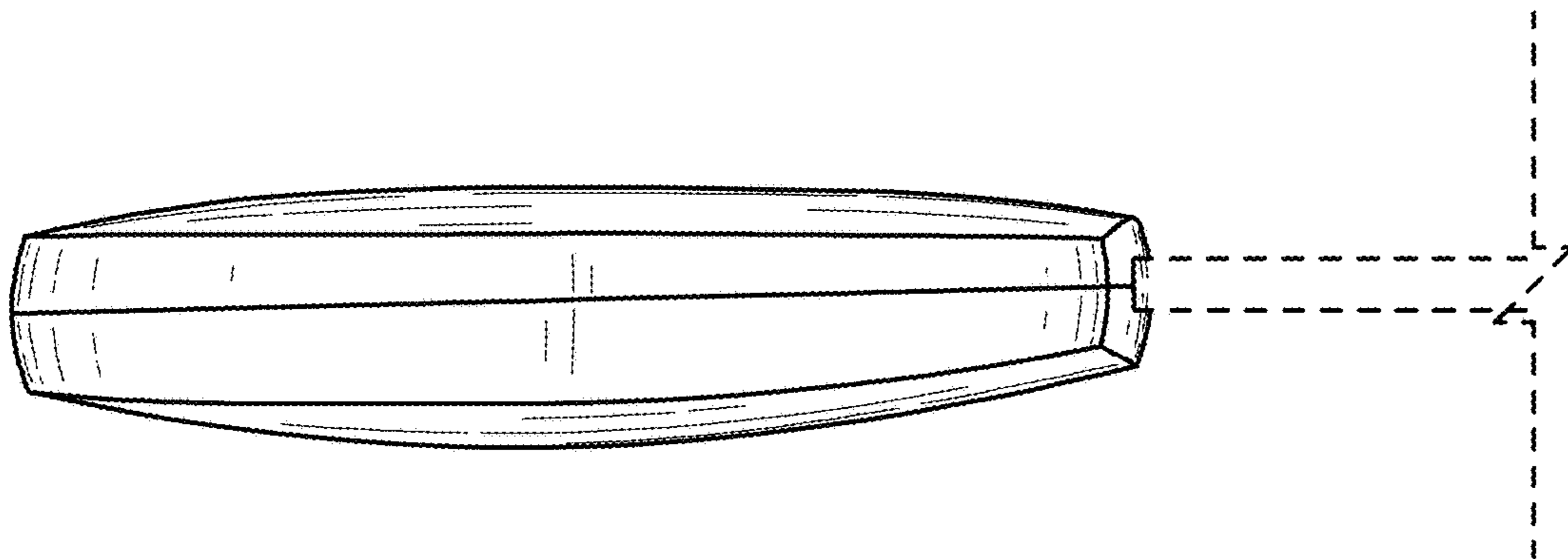


FIG. 12