

US00D866748S

(12) **United States Design Patent** (10) **Patent No.:** **US D866,748 S**
Khabiri et al. (45) **Date of Patent:** **** Nov. 12, 2019**

(54) **AIRWAY CONNECTOR** 8,770,198 B2 * 7/2014 Yee A61M 16/08
128/207.13
(71) Applicants: **Babak Khabiri**, Columbus, OH (US); D724,198 S * 3/2015 Oostman D24/110.1
Nestor Millan Narcelles, Columbus, OH (US); **Scott Meyers Cooper**, Utica, OH (US); 10,086,164 B2 * 10/2018 Chou A61M 16/0833
2009/0260629 A1 * 10/2009 Yee A61M 16/08
128/204.18
(72) Inventors: **Babak Khabiri**, Columbus, OH (US); 2010/0116271 A1 * 5/2010 Horsford A61M 11/02
Nestor Millan Narcelles, Columbus, OH (US); **Scott Meyers Cooper**, Utica, OH (US) 128/202.27
(Continued)

(**) Term: **15 Years**
(21) Appl. No.: **29/645,035**
(22) Filed: **Apr. 23, 2018**

Related U.S. Application Data

(63) Continuation of application No. 29/554,799, filed on Feb. 16, 2016, now Pat. No. Des. 818,580.
(51) **LOC (12) Cl.** **24-01**
(52) **U.S. Cl.**
USPC **D24/108**; D24/129
(58) **Field of Classification Search**
USPC ... D24/110, 110.4, 110.5, 110.6, 129, 110.1, D24/108
CPC A61M 16/06; A61M 16/0816; A61M 16/0683; A61M 16/0825; A61M 16/0622; A61M 16/0633; A61M 16/0833; A61M 16/0616; A61M 16/08; A61M 2202/0208; A61M 16/0875; A61M 16/208
See application file for complete search history.

(56) **References Cited**

U.S. PATENT DOCUMENTS

5,586,551 A * 12/1996 Hilliard A61M 11/06
128/200.14
D672,037 S * 12/2012 Miller D24/129
8,464,715 B2 * 6/2013 Flynn, Sr. A61M 16/0078
128/205.24

OTHER PUBLICATIONS
Sideport Autocontrol Airway Connector. QOSINA.com. Date: Apr. 21, 2017. Retrieved from Internet: <<https://web.archive.org/web/20170421092301/http://www.qosina.com:80/side-port-autocontrol-airway-connector-53519>> (Year: 2017).*
(Continued)

Primary Examiner — Lilyana Bekic
(74) *Attorney, Agent, or Firm* — Vorys, Sater, Seymour and Pease LLP; Rex W. Miller, II

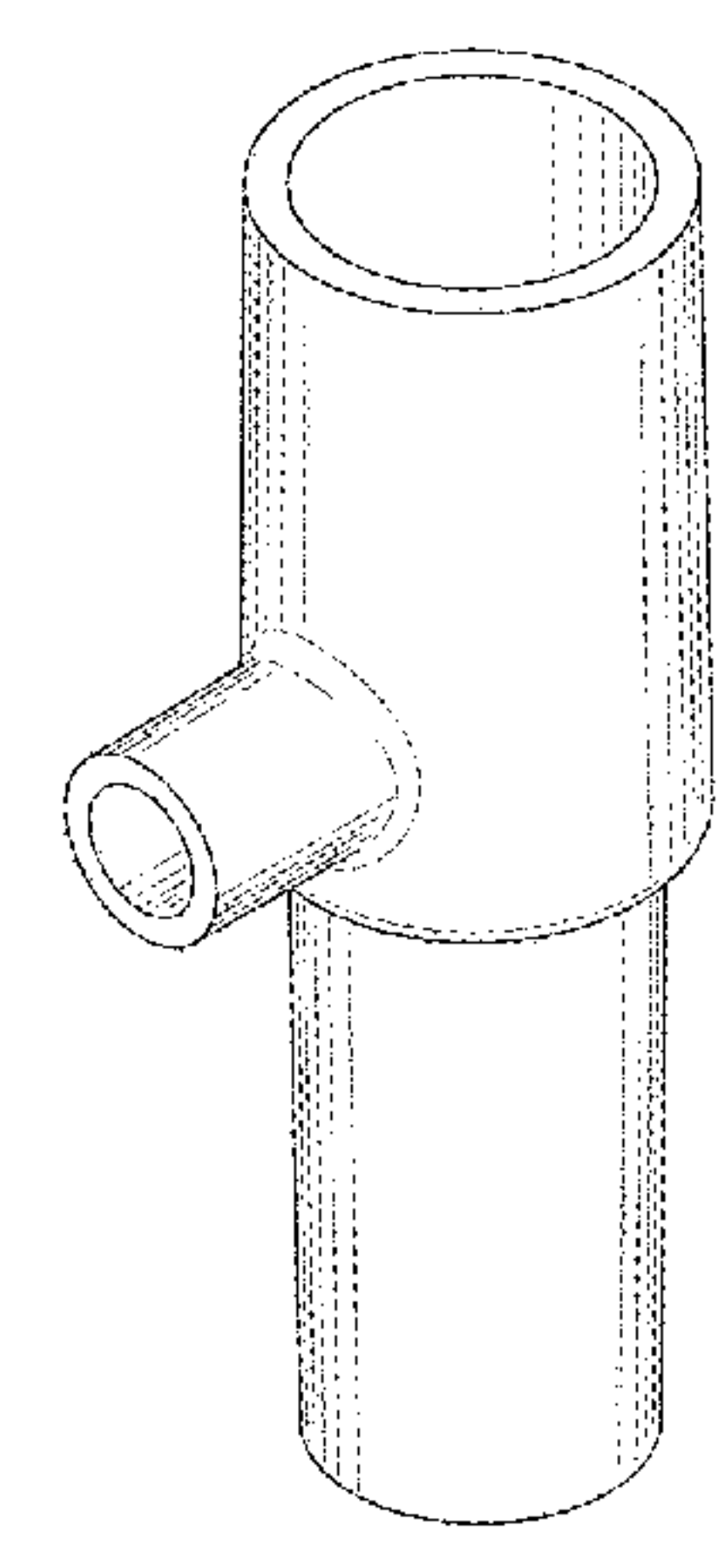
(57) **CLAIM**

The ornamental design for an airway connector, as shown and described.

DESCRIPTION

FIG. 1 is a perspective view of an airway connector showing our new design;
FIG. 2 is a right side view thereof, the left side being a mirror image thereof;
FIG. 3 is a front view thereof;
FIG. 4 is a back view thereof;
FIG. 5 is a top view thereof;
FIG. 6 is a bottom side view thereof; and,
FIG. 7 is a cross-sectional view taken along line 7-7 of FIG. 3.
The broken lines in the drawings depict portions of the airway connector that form no part of the claimed design.

1 Claim, 4 Drawing Sheets



(56)

References Cited

U.S. PATENT DOCUMENTS

2012/0055482 A1 3/2012 Wilkinson
2012/0125338 A1 5/2012 Yarahmadi
2013/0000641 A1* 1/2013 Mazela A61M 16/0816
128/203.29
2013/0060157 A1 3/2013 Beard
2014/0128676 A1* 5/2014 Law A61B 1/00
600/114
2015/0021909 A1* 1/2015 Gulliver A61M 16/0666
285/319
2016/0067438 A1* 3/2016 Rollins A61M 16/0605
128/203.29
2016/0074607 A1* 3/2016 Ratner A61M 16/208
128/204.23
2016/0235938 A1* 8/2016 Khabiri A61M 16/085
2018/0207389 A1* 7/2018 Fyfe A61M 16/0858

OTHER PUBLICATIONS

ISA CO2 Sidestrem Airway T-adaptor. vmed Monitoring Accessories. vmed technology. Date: Dec. 17, 2014. Retrieved from Internet: <<https://web.archive.org/web/20141217000742/http://www.vmedtechnology.com:80/pro/accessories>> (Year: 2014).*

* cited by examiner

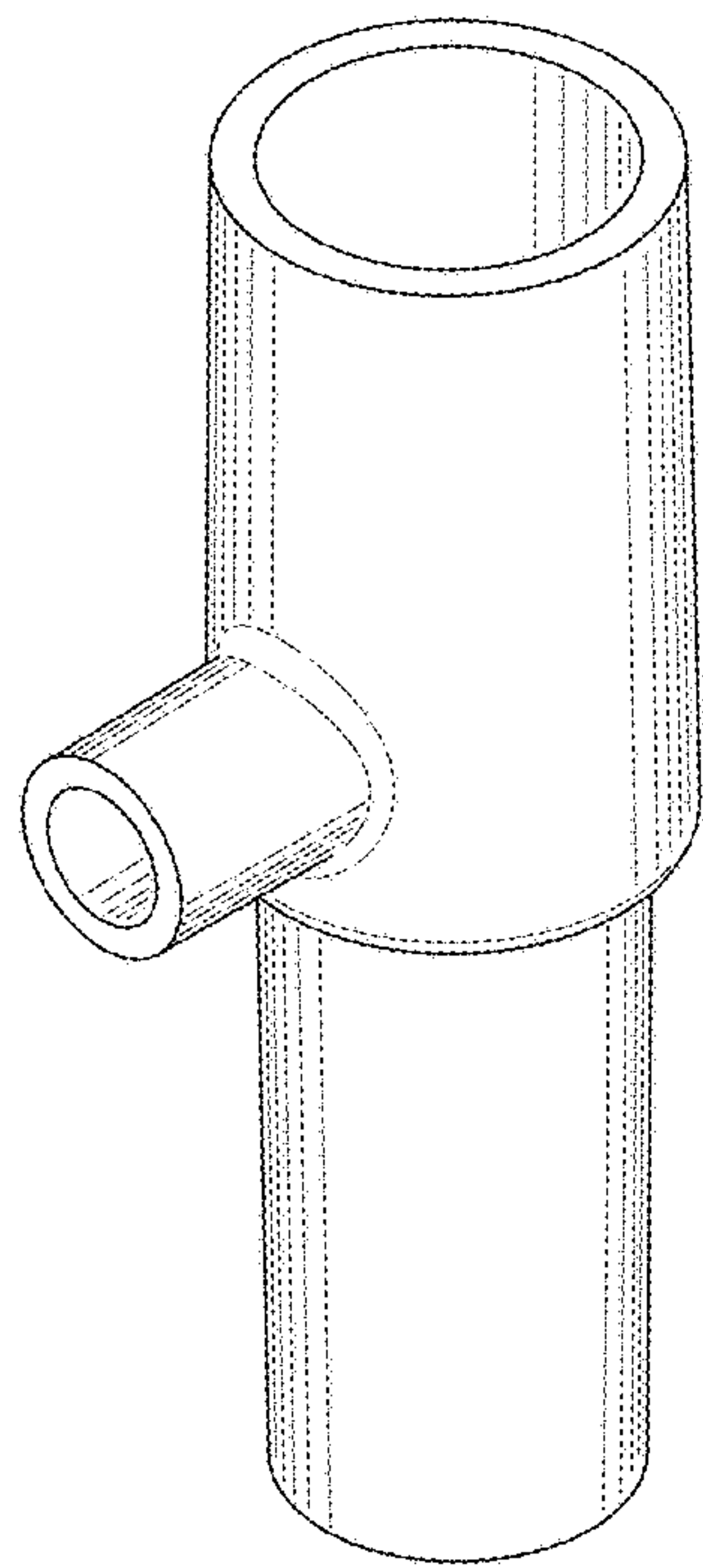


FIG. 1

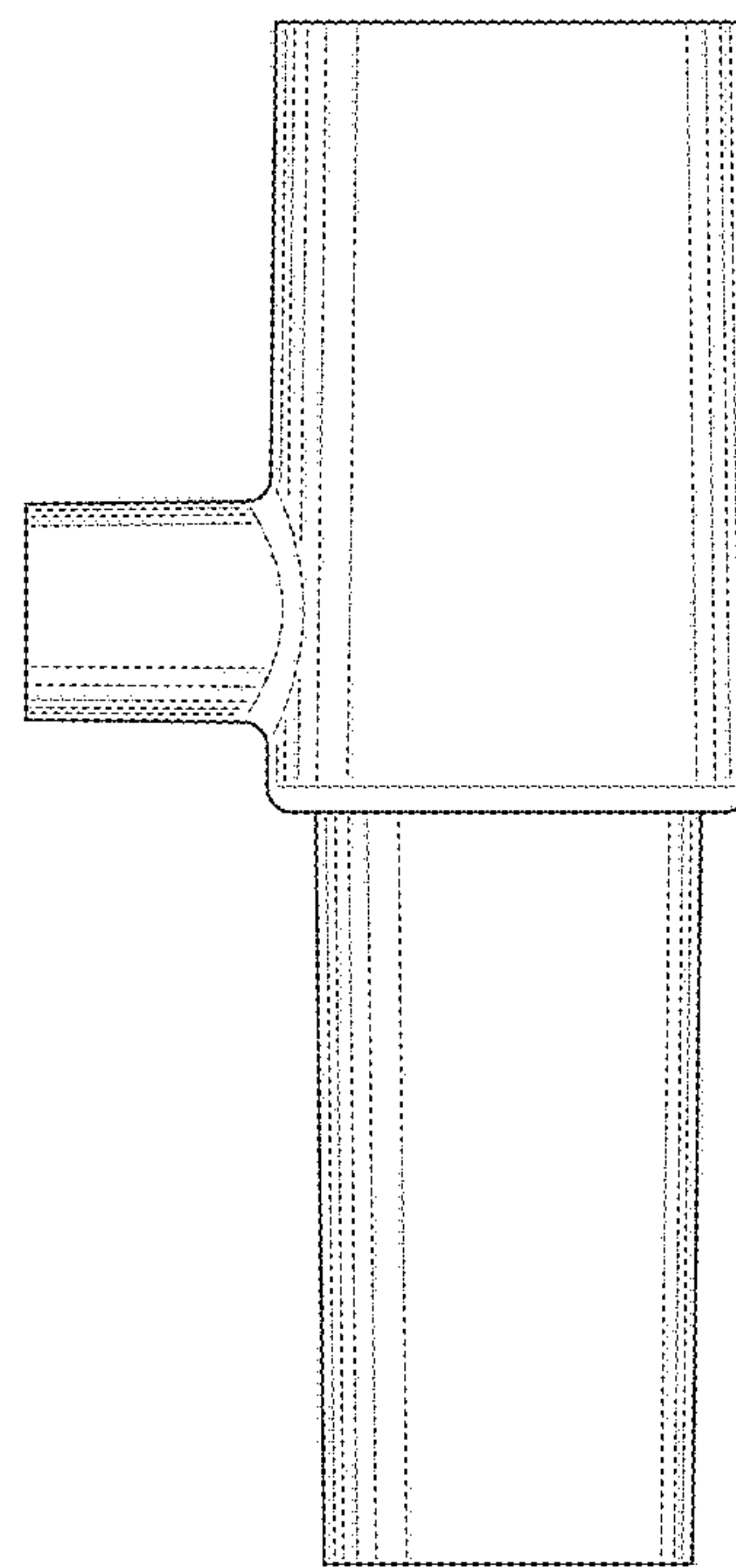


FIG. 2

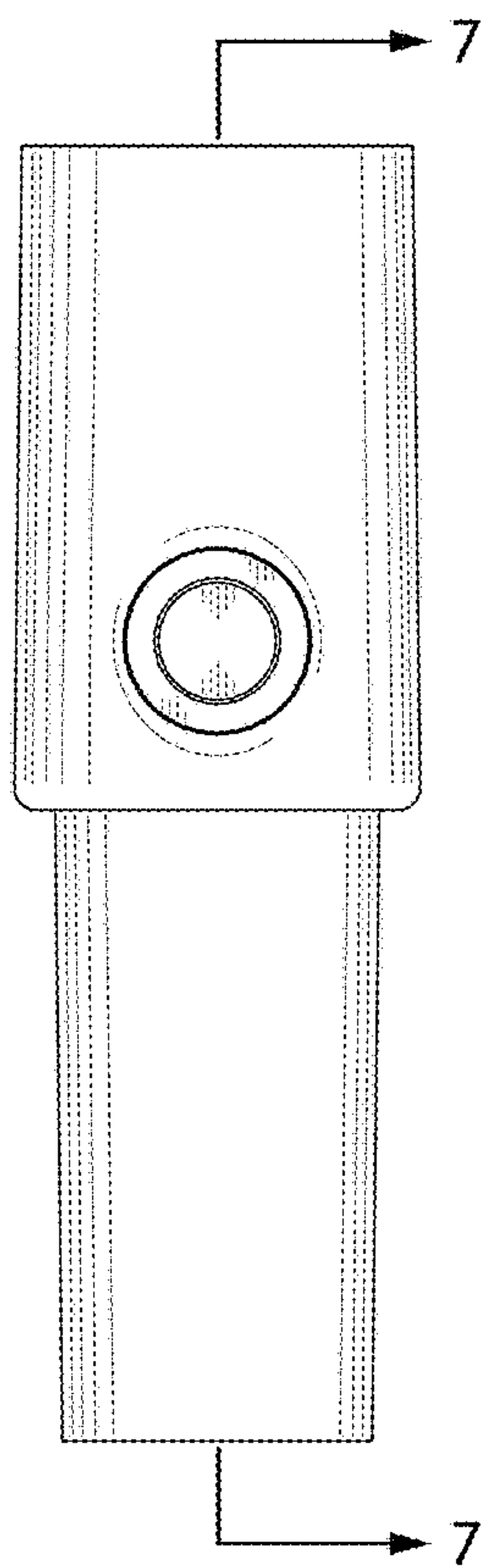


FIG. 3

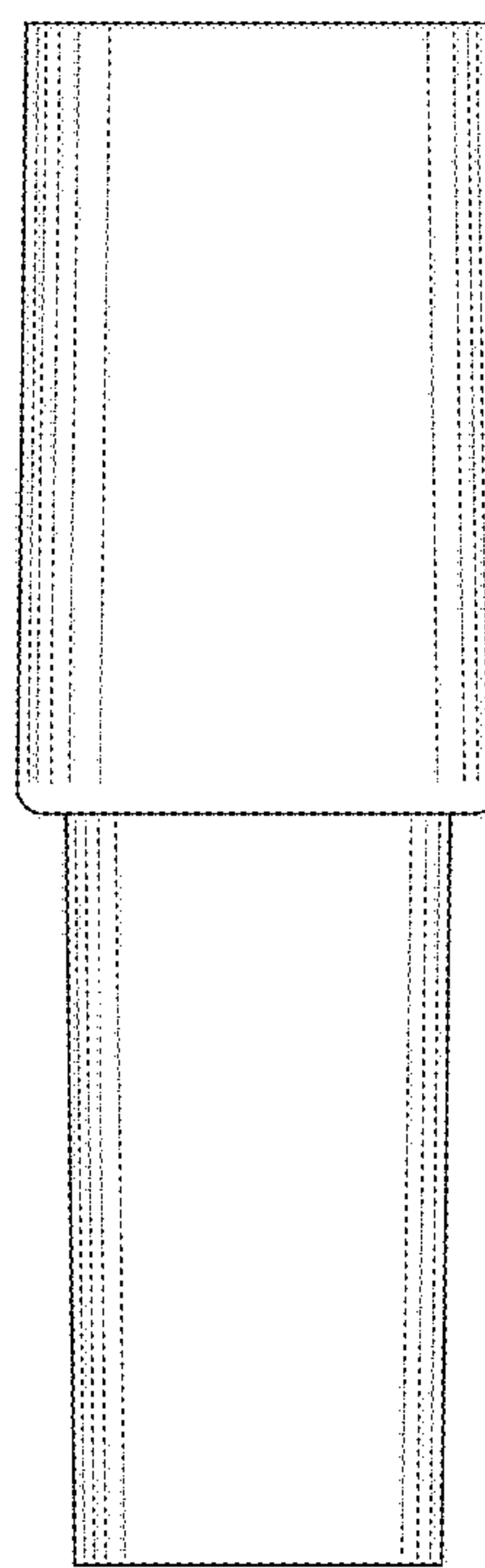


FIG. 4

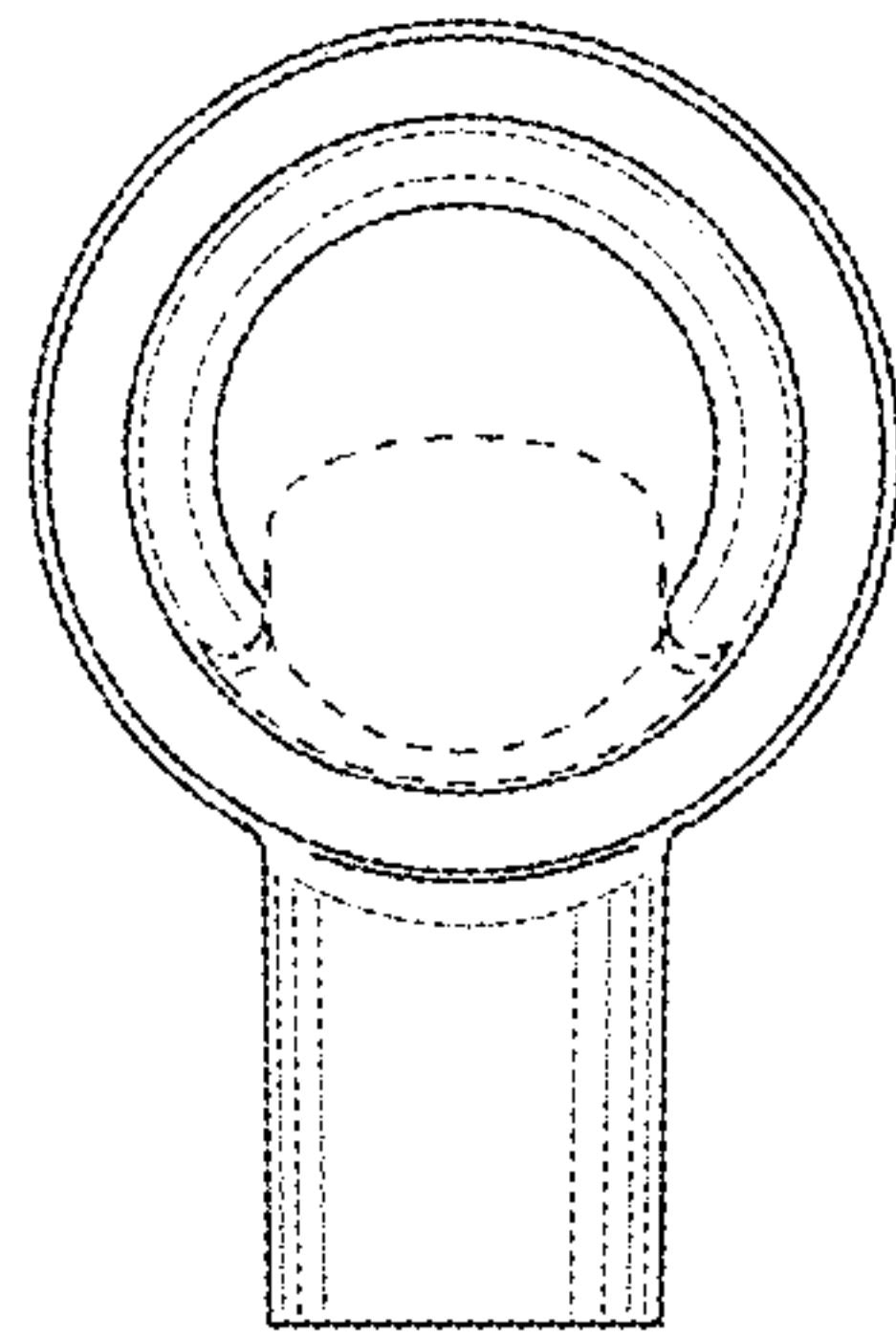


FIG. 5

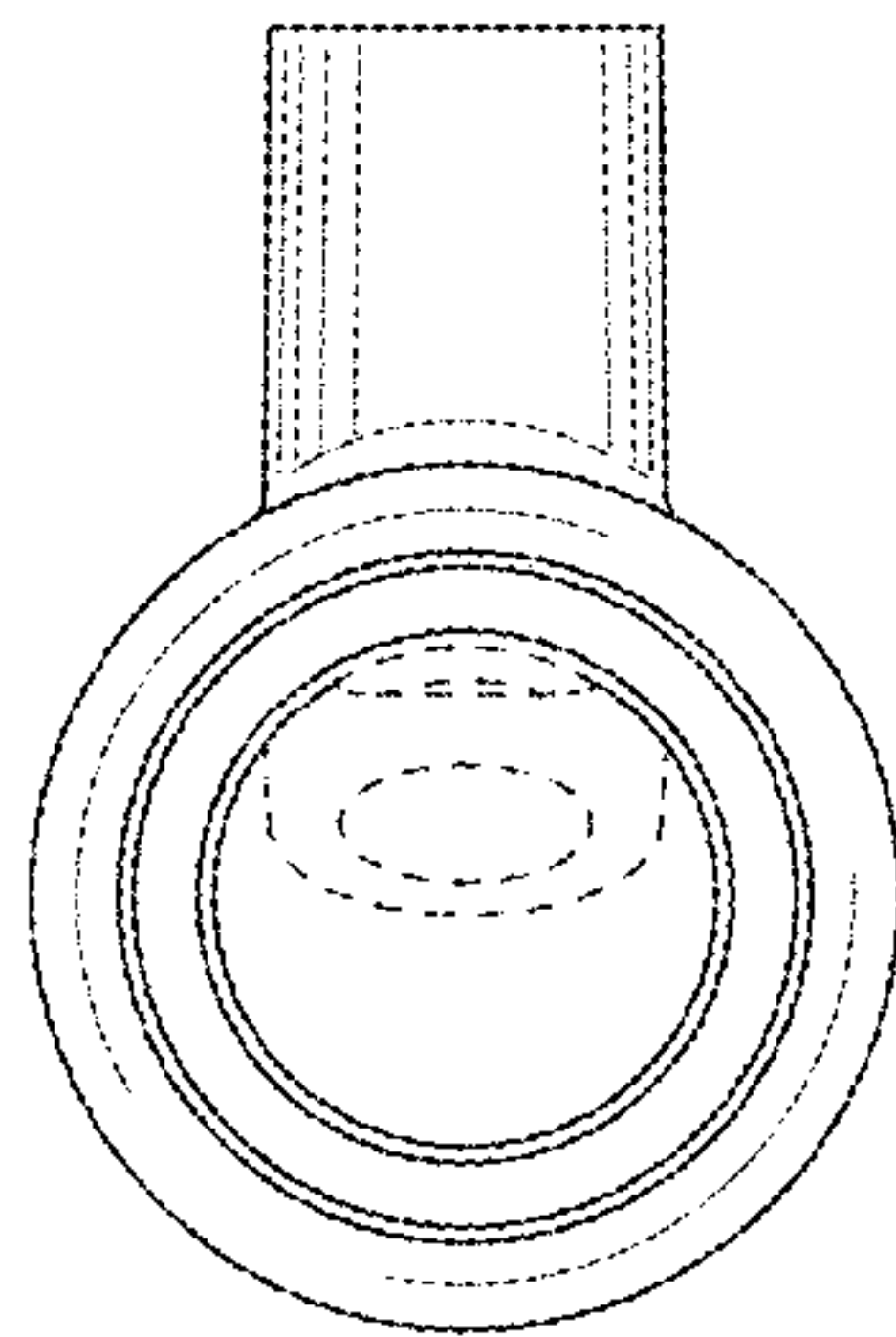


FIG. 6

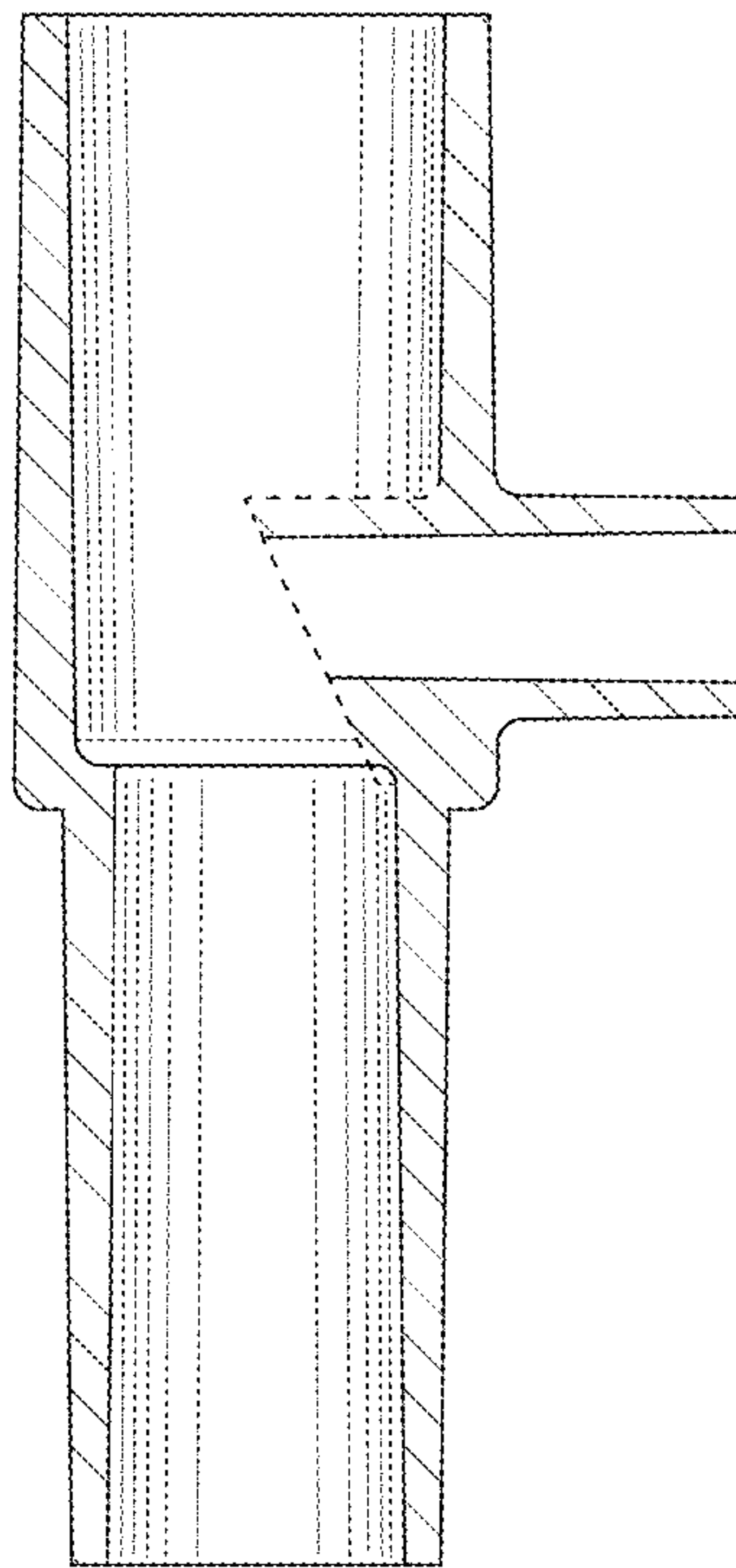


FIG. 7