

US00D866747S

(12) **United States Design Patent**
Tucker et al.

(10) **Patent No.:** **US D866,747 S**
(45) **Date of Patent:** **** Nov. 12, 2019**

(54) **FLUID CARTRIDGE FOR SLEEP THERAPY DEVICE**

(71) Applicant: **Ebb Therapeutics, Inc.**, Pittsburgh, PA (US)

(72) Inventors: **Robert E. Tucker**, Sanibel, FL (US);
Jeffrey J. Schirm, Monroeville, PA (US); **Jason A. Belton**, Norton, OH (US)

(73) Assignee: **Ebb Therapeutics, Inc.**, Pittsburgh, PA (US)

(**) Term: **15 Years**

(21) Appl. No.: **29/605,808**

(22) Filed: **May 30, 2017**

(51) **LOC (12) Cl.** **24-01**

(52) **U.S. Cl.**
USPC **D24/108**; D24/121

(58) **Field of Classification Search**
USPC D24/107, 108, 110, 111, 117, 121, 188,
D24/197, 200, 206-207, 224; D23/356
CPC .. A61M 1/0088; A61M 27/00; A61M 1/0023;
A61M 1/0001; A61M 1/0066; A61M
1/00; A61M 1/009; A61M 1/0058; A61M
21/02; A61M 21/00; A61M 2021/0066;
A61F 13/00068; A61F 13/0216; A61F
7/02; A61F 2007/0225

See application file for complete search history.

(56) **References Cited**

U.S. PATENT DOCUMENTS

D287,275 S *	12/1986	Uchida	D23/356
D289,325 S *	4/1987	Nishikawa	D23/356
D367,325 S *	2/1996	Duggan	D24/121
D370,059 S *	5/1996	Chiu	261/107
D377,973 S *	2/1997	Jane	D23/356

(Continued)

OTHER PUBLICATIONS

Ebb Insomnia Therapy Product Manual. Date: 2018. Retrieved from Internet: <<https://ebb-production-uploads.s3.amazonaws.com/uploads/2018/10/ebb-product-manual-2018.pdf>> (Year: 2018).*

Primary Examiner — Lilyana Bekic

(74) *Attorney, Agent, or Firm* — Shay Glenn LLP

(57) **CLAIM**

The ornamental design for a fluid cartridge for sleep therapy device, as shown and described.

DESCRIPTION

FIG. 1 is a front view of a fluid cartridge for sleep therapy device in accordance with the present invention. The back view is identical to the front view.

FIG. 2 is a top view of the fluid cartridge for sleep therapy device of FIG. 1.

FIG. 3 is a right side view of the fluid cartridge for sleep therapy device of FIG. 1. The left side view is identical to the right side view.

FIG. 4 is a bottom view of the fluid cartridge for sleep therapy device of FIG. 1.

FIG. 5 is a top perspective view of the fluid cartridge for sleep therapy device of FIG. 1.

FIG. 6 is a bottom perspective view of the fluid cartridge for sleep therapy device of FIG. 1.

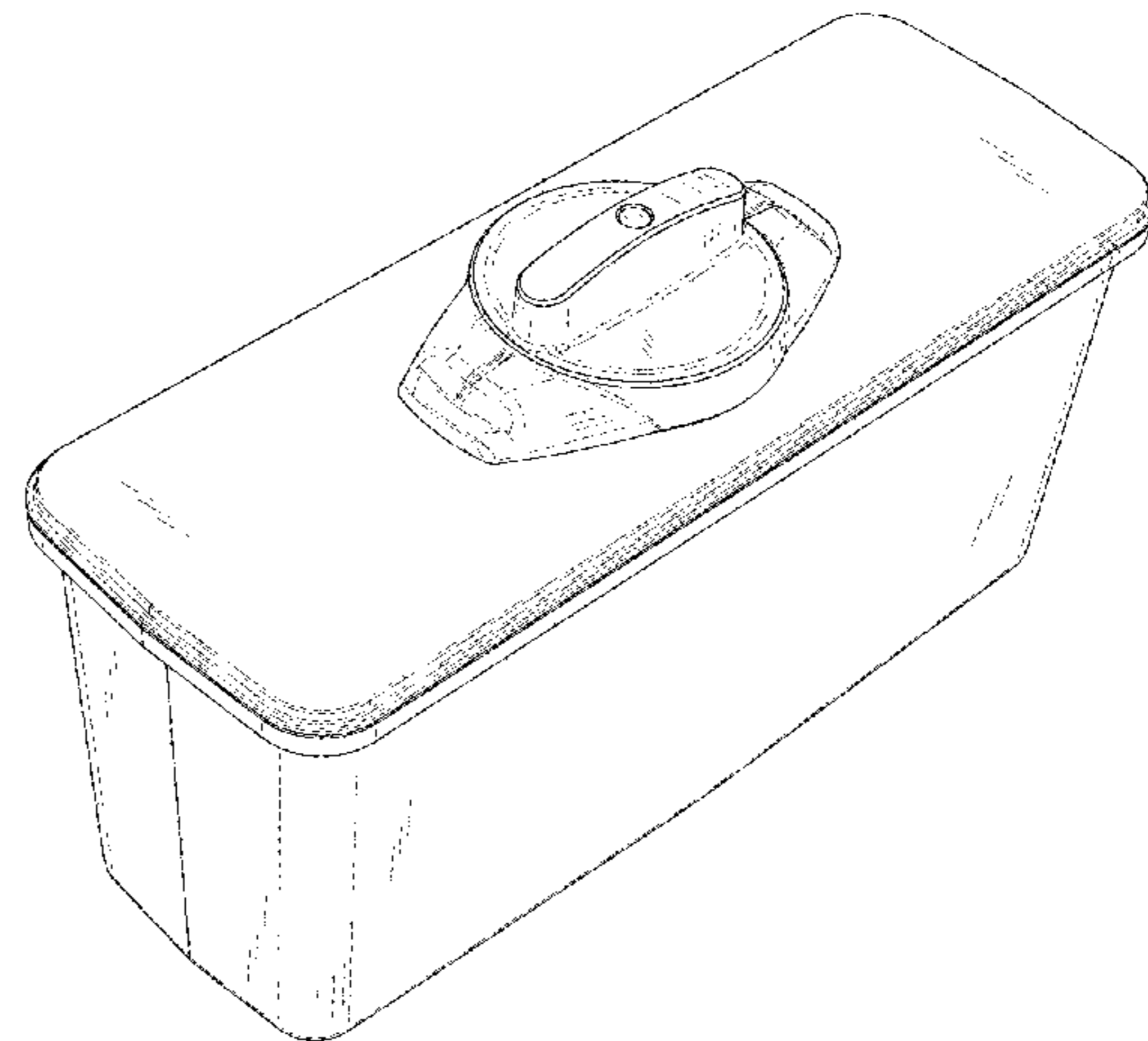
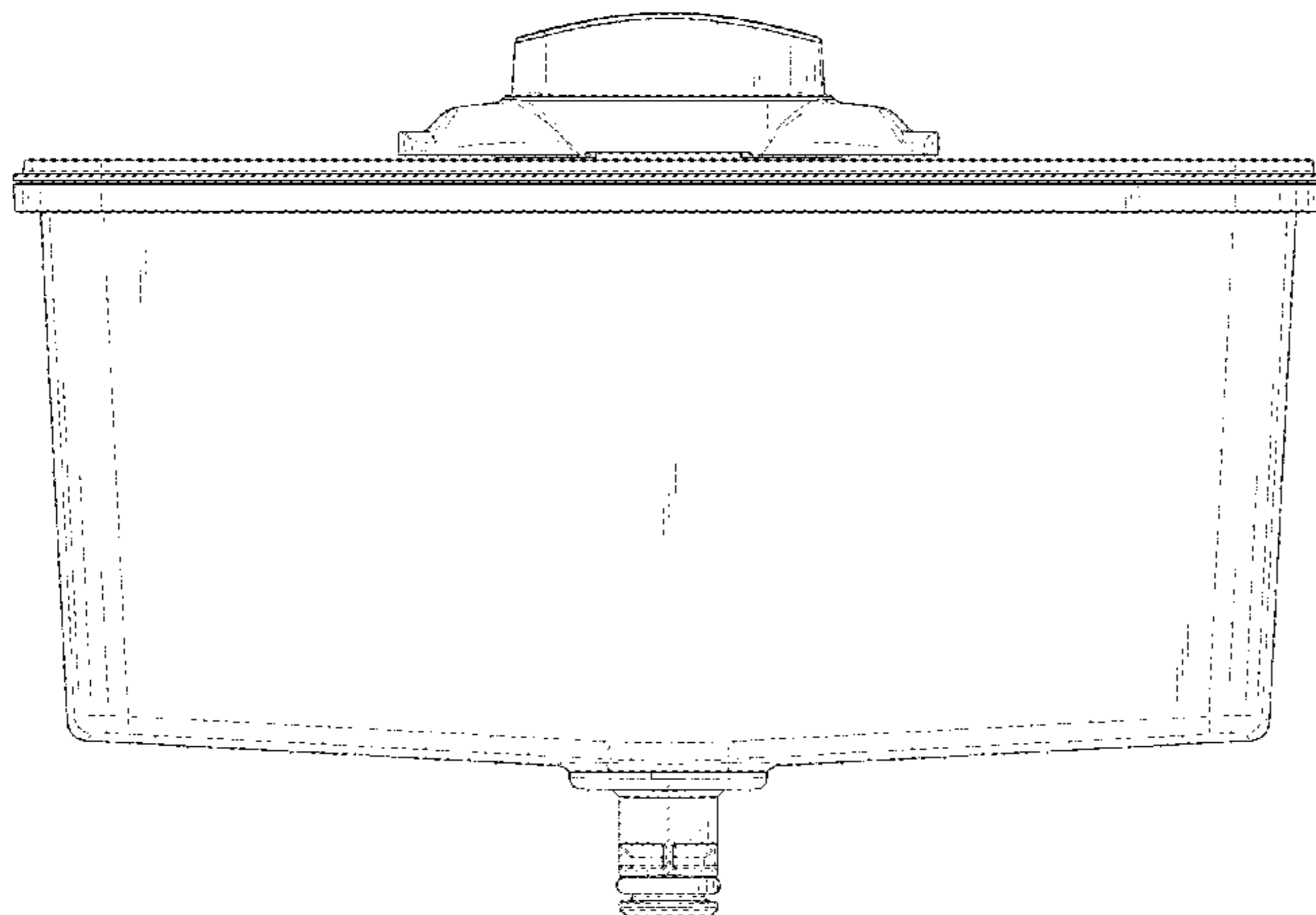
FIG. 7 is another bottom perspective view of the fluid cartridge for sleep therapy device of FIG. 1.

FIG. 8 is an alternative top view of the fluid cartridge for sleep therapy device of FIG. 1, illustrating the second position of a knob portion of the device; and,

FIG. 9 is an alternative front view of the fluid cartridge for sleep therapy device of FIG. 1, illustrating the second position of a knob portion of the device.

The broken lines in the drawings illustrate portions of the fluid cartridge for sleep therapy device that form no part of the claimed design.

1 Claim, 9 Drawing Sheets



(56)

References Cited

U.S. PATENT DOCUMENTS

D383,201	S *	9/1997	Jane	D23/356
D385,343	S *	10/1997	Chiu	D23/356
D475,132	S *	5/2003	Randolph	D24/108
D488,558	S *	4/2004	Hall	D24/108
7,588,562	B2 *	9/2009	Toomey	A61B 10/0045 251/149
D602,584	S *	10/2009	Pidgeon	D24/108
D630,725	S *	1/2011	Pidgeon	D24/108
D645,137	S *	9/2011	Gonzalez	D24/108
D650,894	S *	12/2011	Gonzalez	D24/108
D725,770	S *	3/2015	Kim	D24/111
D731,640	S *	6/2015	Kim	A61H 13/005 D24/111
D764,653	S *	8/2016	Bjelovuk	D24/108
D764,654	S *	8/2016	Bjelovuk	D24/108
D802,744	S *	11/2017	Bjelovuk	D24/108
D813,374	S *	3/2018	Bjelovuk	D24/108
10,058,674	B2 *	8/2018	Walker	A61M 21/02
D829,887	S *	10/2018	Massie	D24/111
2007/0285484	A1 *	12/2007	Sasaki	B41J 2/17513 347/86
2016/0250398	A1 *	9/2016	Barr	A61M 1/0023 604/319

* cited by examiner

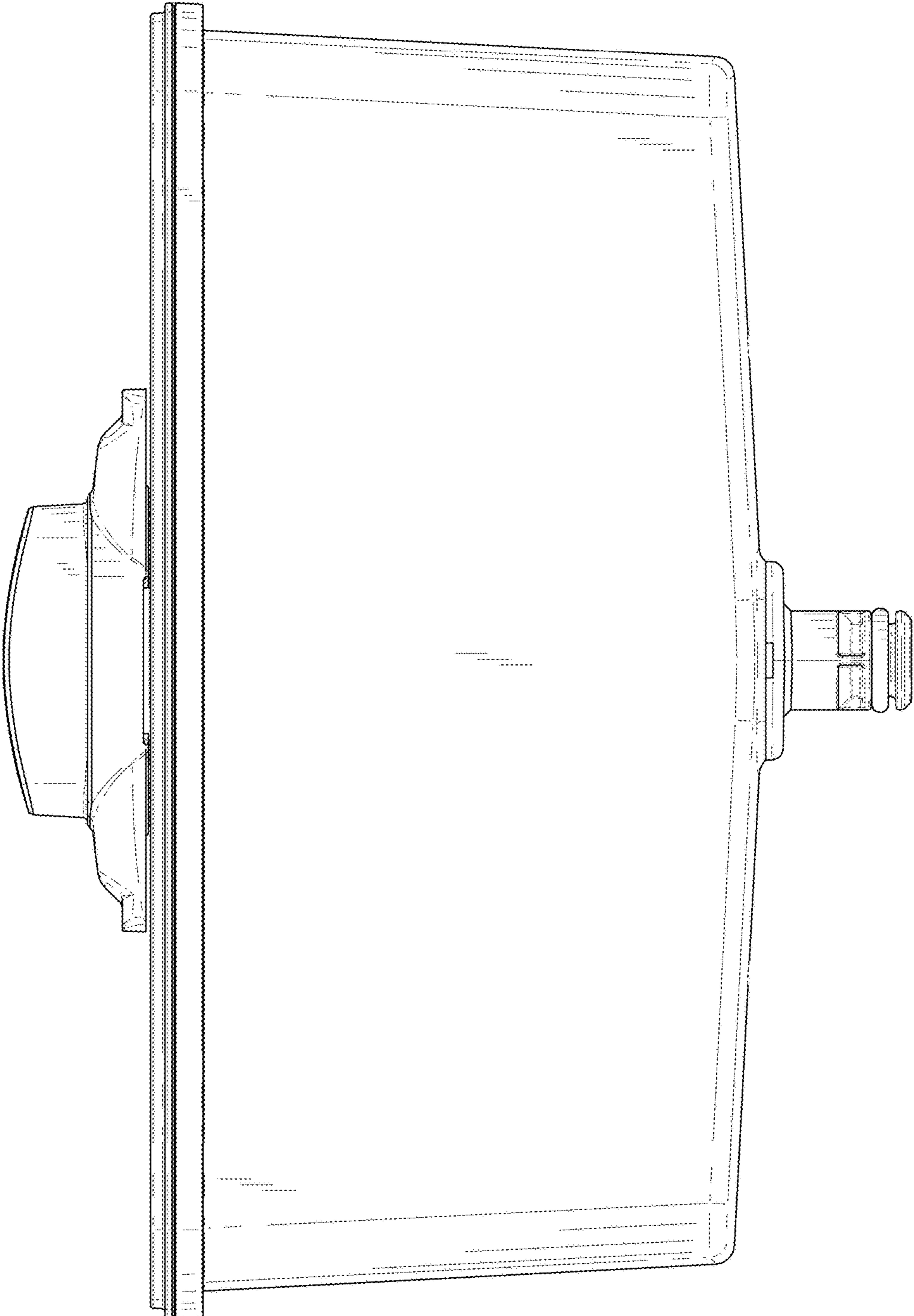


FIG. 1

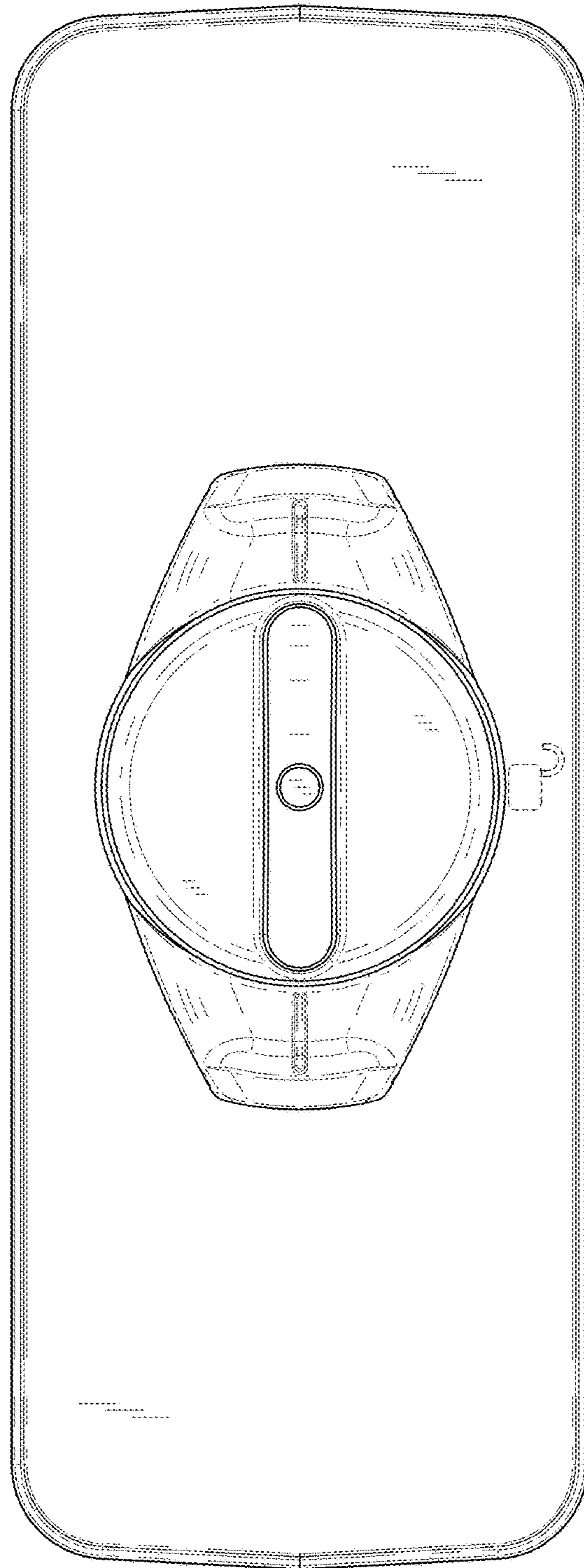


FIG. 2

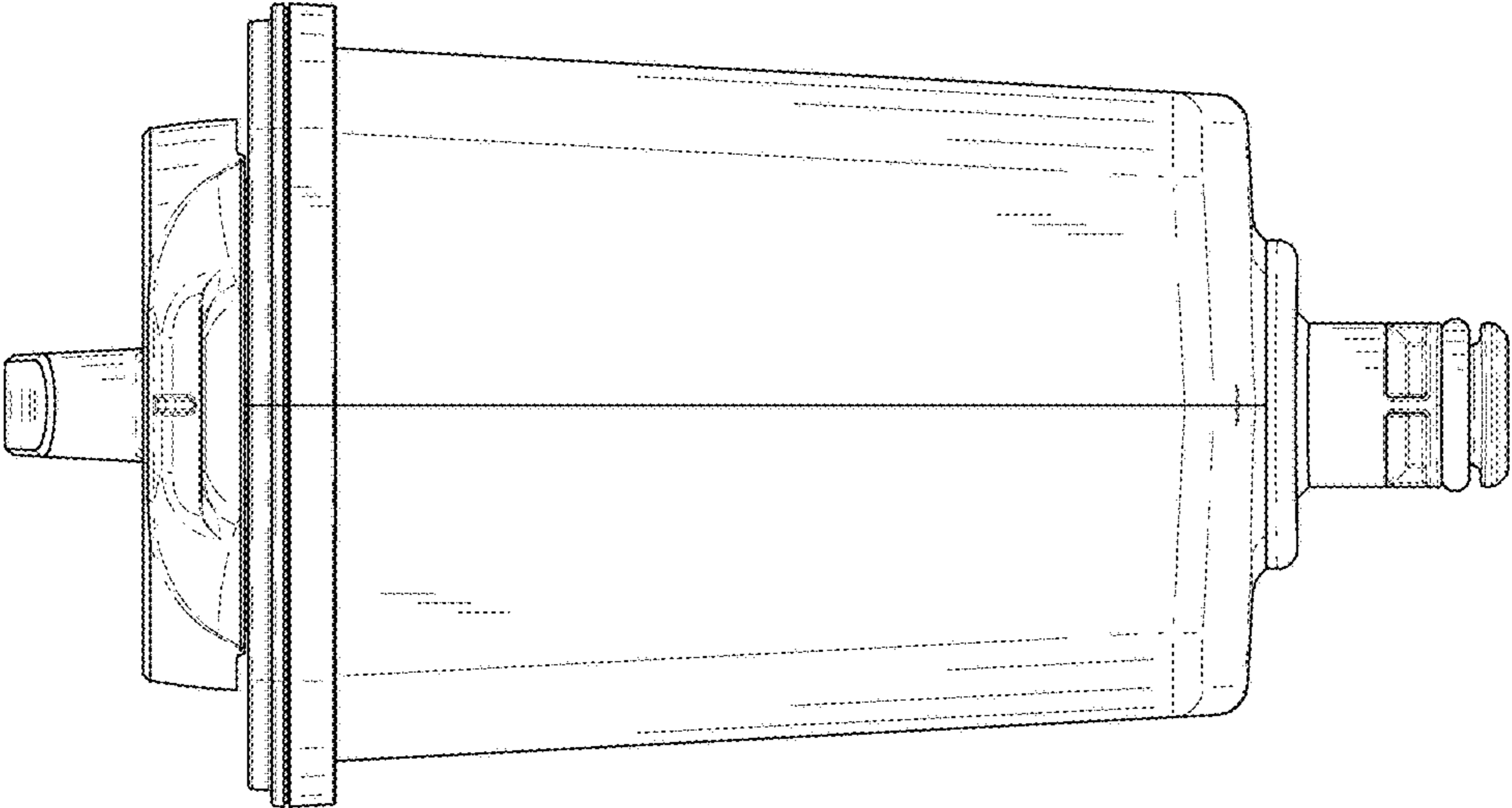


FIG. 3

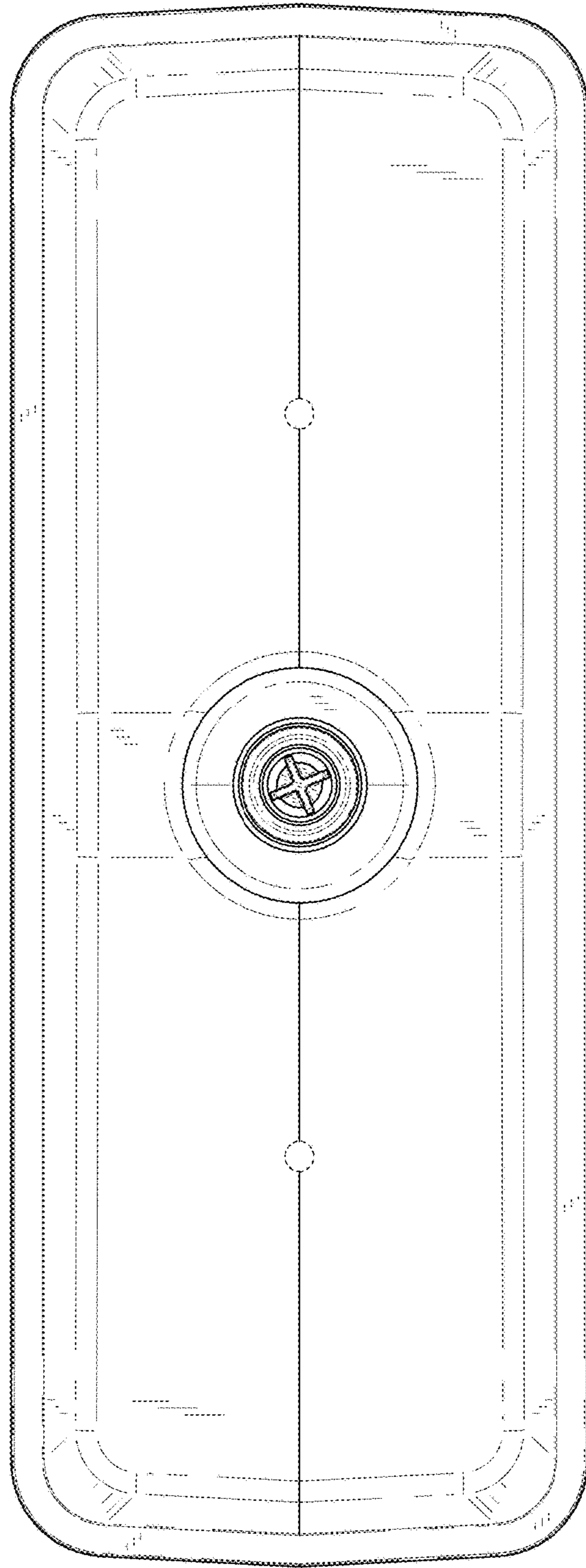


FIG. 4

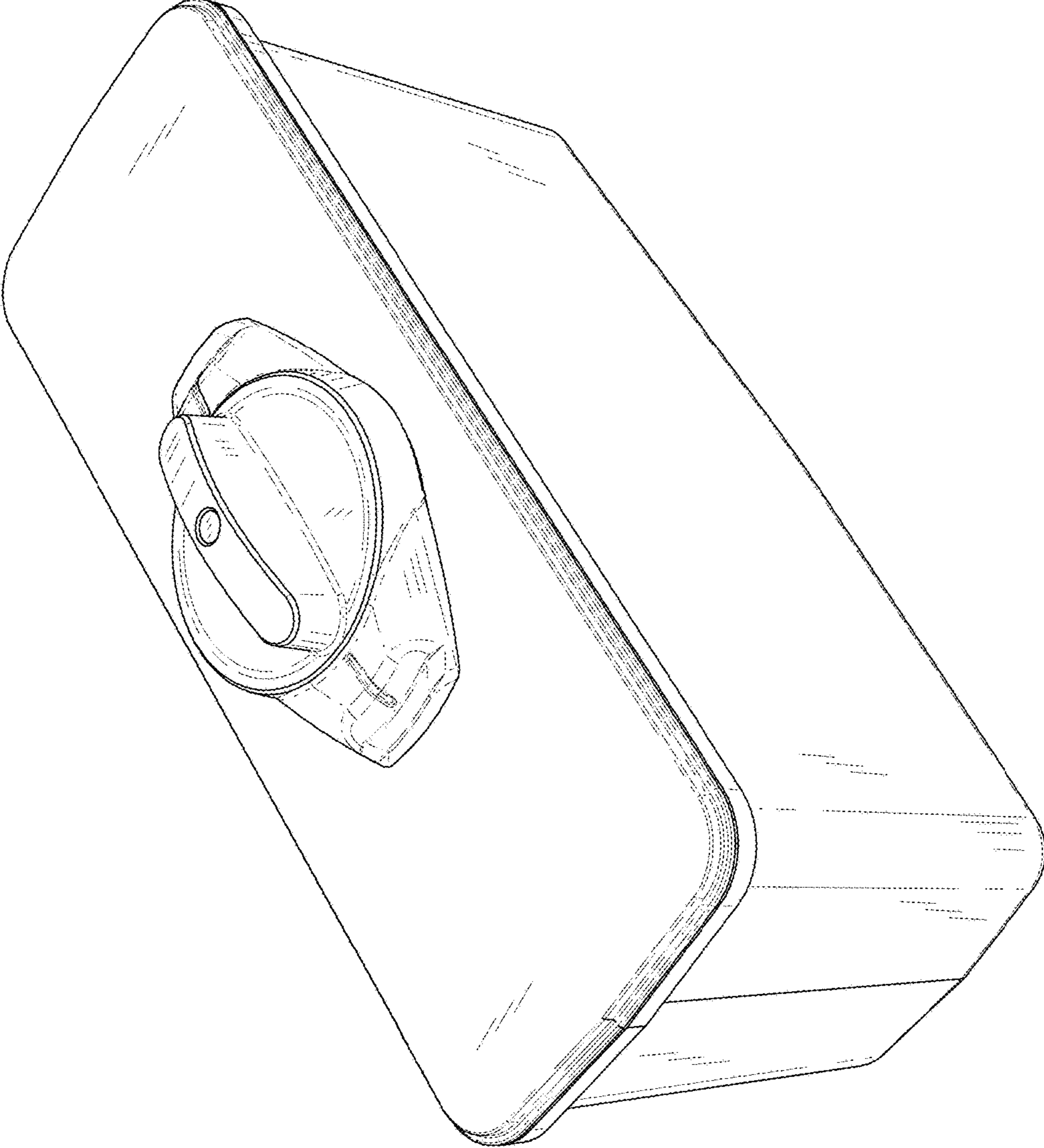


FIG. 5

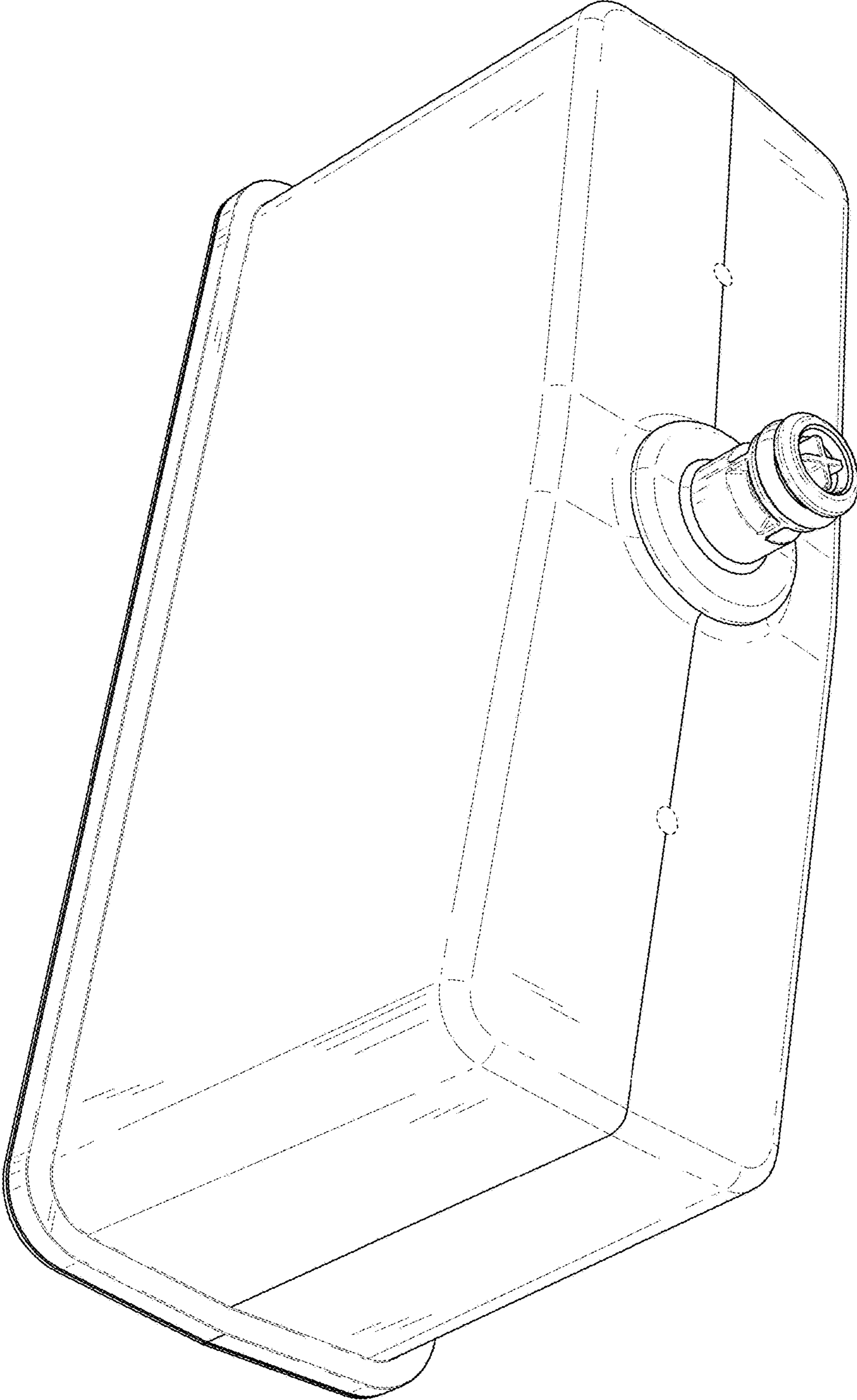


FIG. 6

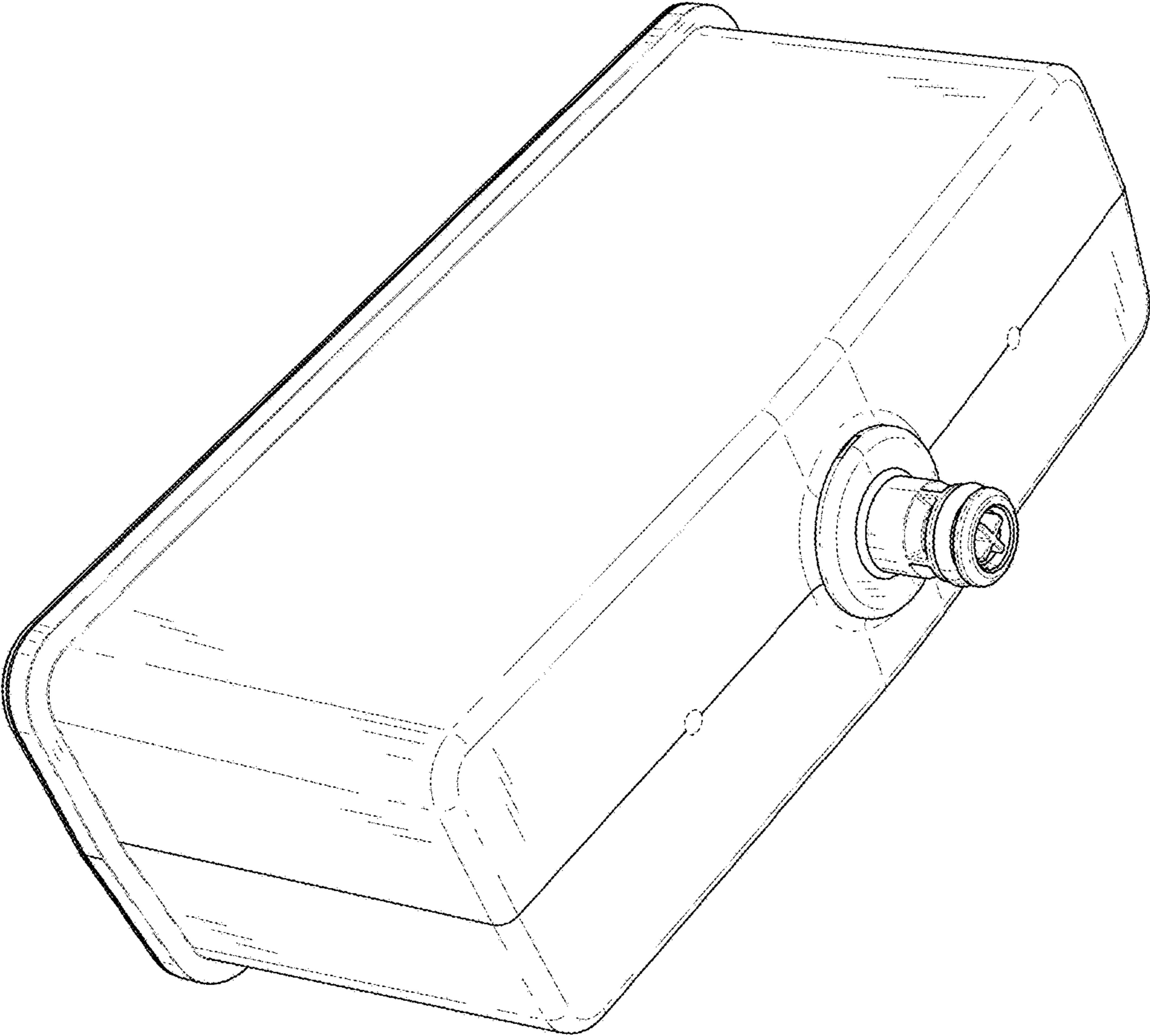


FIG. 7

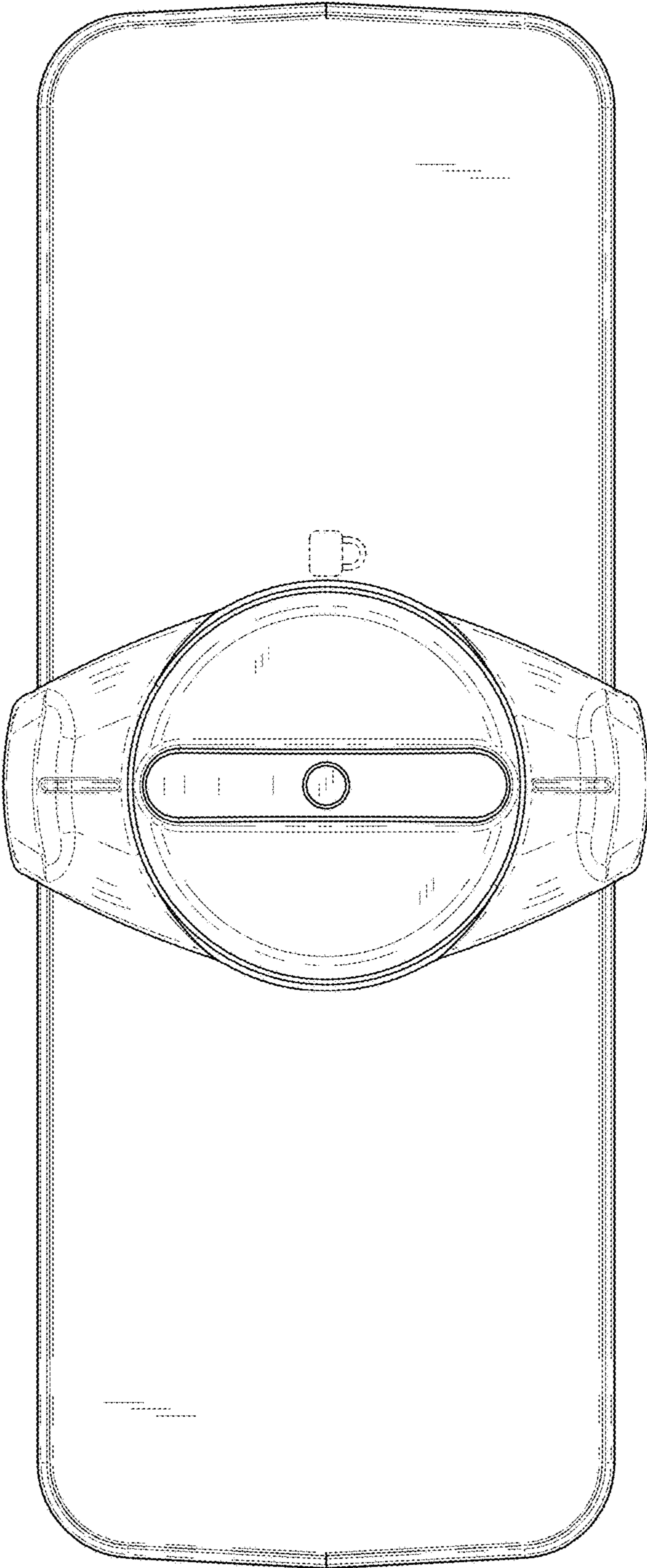


FIG. 8

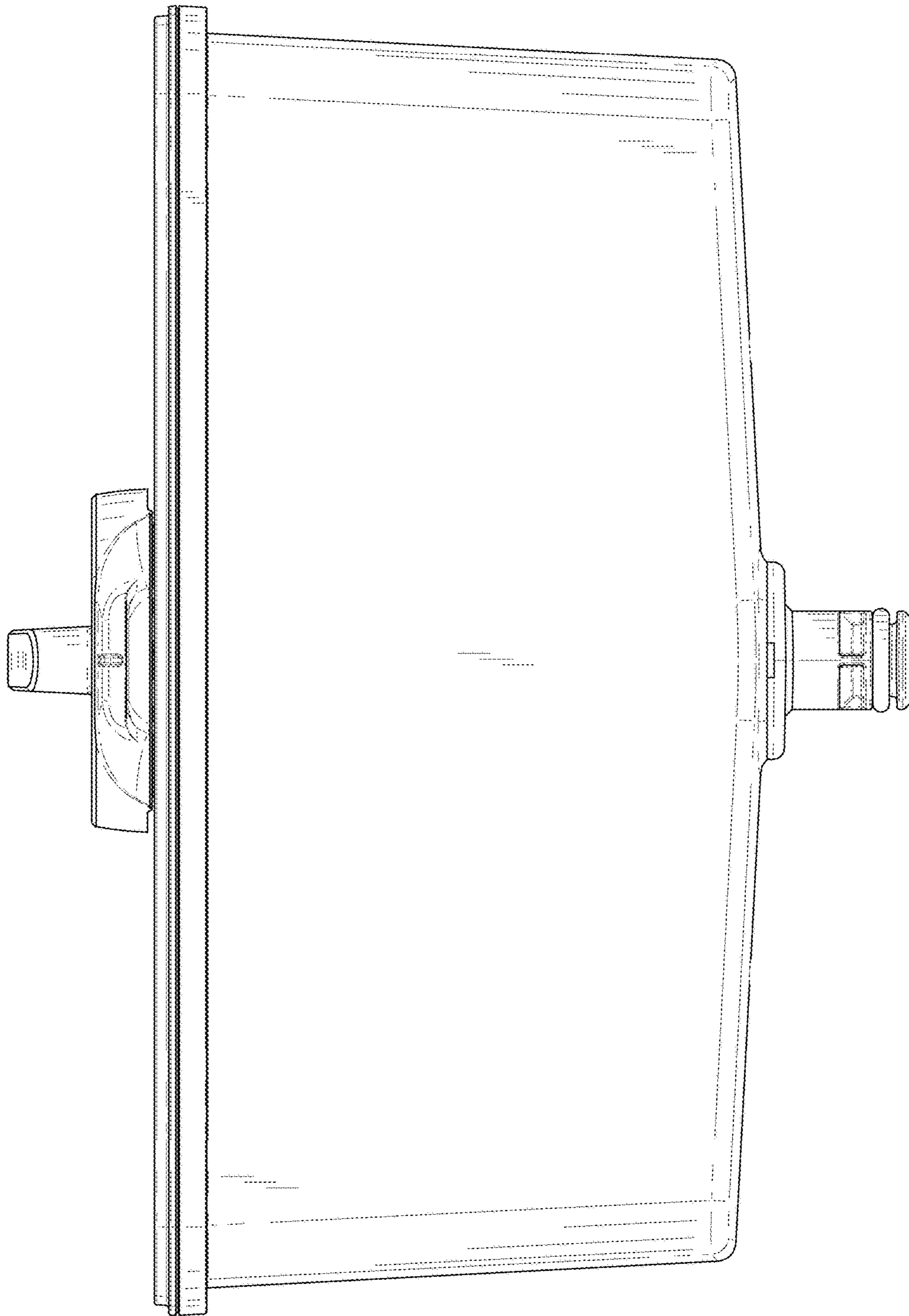


FIG. 9