



US00D866746S

(12) **United States Design Patent** (10) **Patent No.:** **US D866,746 S**
Holmes (45) **Date of Patent:** **** Nov. 12, 2019**

(54) **COMBINED CEILING FAN MOTOR HOUSING AND LIGHT KIT**

D448,074 S 9/2001 Bogazzi
D464,132 S 10/2002 Campbell
(Continued)

(71) Applicant: **HUNTER FAN COMPANY**,
Memphis, TN (US)

(72) Inventor: **Christine Holmes**, Memphis, TN (US)

(73) Assignee: **Hunter Fan Company**, Memphis, TN (US)

(**) Term: **15 Years**

(21) Appl. No.: **29/637,244**

(22) Filed: **Feb. 15, 2018**

Related U.S. Application Data

(60) Continuation of application No. 29/604,233, filed on May 16, 2017, now Pat. No. Des. 817,476, which is a division of application No. 29/550,954, filed on Jan. 8, 2016, now Pat. No. Des. 796,024.

(51) **LOC (12) Cl.** **23-03**

(52) **U.S. Cl.**
USPC **D23/411**

(58) **Field of Classification Search**
USPC D23/370-385, 411-414; D26/59, 85, 86,
D26/89, 90, 88, 110

CPC F04D 25/088; F04D 29/38; F04D 29/384;
F04D 29/386; F21V 33/0096

See application file for complete search history.

(56) **References Cited**

U.S. PATENT DOCUMENTS

D196,397 S	9/1963	Knapp	
D202,877 S	11/1965	Morse et al.	
D262,688 S	1/1982	Nilsson	
D377,681 S	1/1997	Jaspers-Fayer	
D384,576 S	10/1997	Holder	
D402,075 S *	12/1998	Hudak	D26/88
D404,480 S	1/1999	Liu	
D406,332 S	3/1999	Liu	
D408,515 S	4/1999	Evans	
D417,270 S	11/1999	Thomas, Jr.	
D424,187 S	5/2000	Lo	
D428,485 S	7/2000	Dolan	
D437,928 S	2/2001	Dolan	

OTHER PUBLICATIONS

<http://www.quoruminternational.com/index.cfm/app/productDetail?product=2444-8022>, Quorum International Light Kit, Antique Flemish, Product No. 2444-8022, accessed May 17, 2017.

(Continued)

Primary Examiner — Cathron C Brooks

Assistant Examiner — Sharon S Oum

(74) *Attorney, Agent, or Firm* — McGarry Bair PC

(57) **CLAIM**

The ornamental design for a combined ceiling fan motor housing and light kit, as shown and described.

DESCRIPTION

FIG. 1 is a top perspective view of a combined ceiling fan motor housing and light kit in the environment of a ceiling fan, showing my new design;

FIG. 2 is a bottom perspective view of the combined ceiling fan motor housing and light kit of FIG. 1;

FIG. 3 is a rear view of the combined ceiling fan motor housing and light kit of FIG. 1;

FIG. 4 is a front view of the combined ceiling fan motor housing and light kit of FIG. 1;

FIG. 5 is a left side view of the combined ceiling fan motor housing and light kit of FIG. 1;

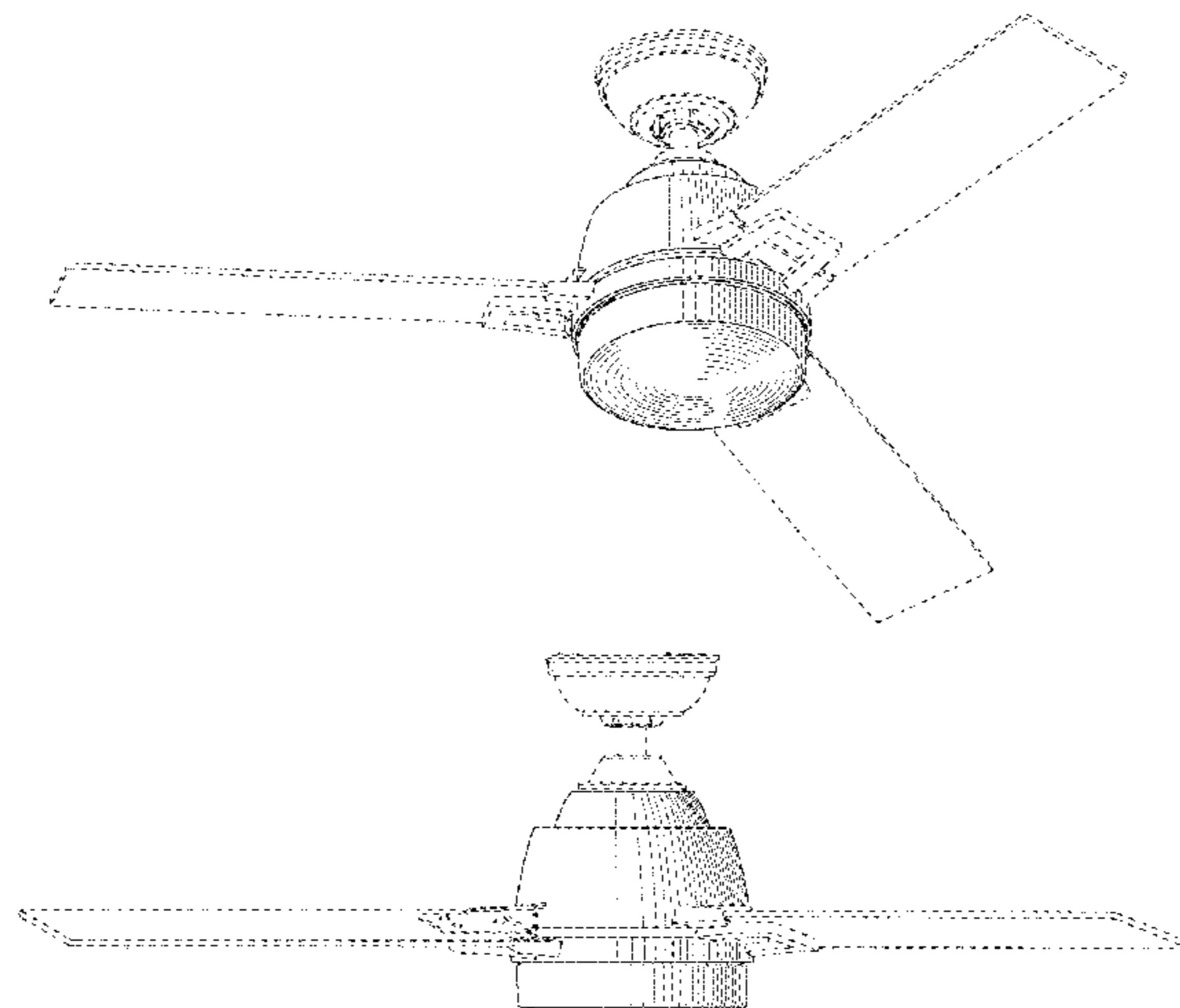
FIG. 6 is a right side view of the combined ceiling fan motor housing and light kit of FIG. 1;

FIG. 7 is top view of the combined ceiling fan motor housing and light kit of FIG. 1; and,

FIG. 8 is a bottom view of the combined ceiling fan motor housing and light kit of FIG. 1.

Portions of the combined ceiling fan motor housing and light kit, and the ceiling fan environment shown in broken lines form no part of the claimed design.

1 Claim, 8 Drawing Sheets



(56)

References Cited

U.S. PATENT DOCUMENTS

D522,129	S	5/2006	Hidalgo	
D532,104	S	11/2006	Pickett	
D551,756	S	9/2007	Ertze	
D559,378	S	5/2008	Pan	
D581,512	S	11/2008	Hidalgo	
D582,030	S	12/2008	Pickett	
D599,469	S	9/2009	Yang	
D603,955	S	11/2009	Patton	
D614,758	S	4/2010	Shurtleff	
D628,688	S	12/2010	Pan	
D631,735	S	2/2011	Johnson	
D632,381	S	* 2/2011	Davenport	D23/377
D640,126	S	6/2011	Plato	
D705,922	S	5/2014	Wang	
D706,406	S	* 6/2014	Wang	D23/385
D707,336	S	* 6/2014	Pan	D23/377
D707,347	S	6/2014	Wang	
D707,348	S	6/2014	Pan	
D708,314	S	7/2014	Pan	
D710,492	S	8/2014	Byrne et al.	
D739,001	S	* 9/2015	Crisa'	D23/372
D743,528	S	11/2015	Wang	
D744,080	S	11/2015	Wang	
D776,636	S	1/2017	Lim et al.	
D778,420	S	2/2017	Israel et al.	
D778,427	S	2/2017	Hidalgo	
D783,796	S	* 4/2017	Badarello	D23/385
D787,038	S	5/2017	Badarello et al.	
D789,510	S	6/2017	Wang	
D796,024	S	8/2017	Holmes	
D810,915	S	* 2/2018	Guthrie	D23/377
D810,920	S	* 2/2018	Hagggar	D23/377
D816,204	S	* 4/2018	McRoberts	D23/377
D825,052	S	* 8/2018	Guthrie	D23/411
D849,224	S	* 5/2019	Gardner	D23/377
2015/0078903	A1	3/2015	Lowe et al.	

OTHER PUBLICATIONS

<https://www.menards.com/...g-ceiling-fans/ceiling-fans/indoor-ceiling-fans/turn-of-the-century-reg-aston-bronze-transitional-indoor-ceiling-fan/p-1444433462083-c-7488.htm?tid=7991441556618212092>, Turn of the century Alston 52" Bronze, Transitional Indoor Ceiling Fan, Model No. 20541, accessed May 17, 2017.

<http://www.quoruminternational.com/index.cfm/app/productDetail?product=39525-86>, Quorum International, Metro Oiled Bronze Ceiling Fan, Model No. 39525-86, accessed Aug. 1, 2017.

<http://www.kichlerlightinglights.com/product/kichler-lighting-makoda-indoor-ceiling-fans-300137obb.html>, Kichler Makoda Oil Brushed Bronze with Walnut Ms-97503 Blades Fan, Model No. 300137OBB, accessed Aug. 1, 2017.

<http://ceilingfans.emerson.com/shop/en/fan/fans-s-emerson-fans/fans-s-contemporary/southtowne-fan-p-cf4900>, Emerson Southtowne Vintage Steel Contemporary Ceiling Fan with Light, Model cf4900, accessed Aug. 1, 2017.

<http://www.homedepot.com/p/Westinghouse-Arcadia-46-in-Brushed-Nickel-Indoor-Ceiling-Fan-7877500/202755008>, Westinghouse Arcadia 46 in. Brushed Nickel Indoor Ceiling Fan, Model No. 7877500, accessed Aug. 1, 2017.

<https://www.menards.com/main/p-1444433634948-c-7488.htm?tid=-3080089329636579030>, Hunter Fan Morelli 52" Brushed Nickel Ceiling Fan, Model No. 59141, accessed Aug. 1, 2017.

<http://www.hunterfan.com/Ceiling-Fans/Eurus?ModelNumber=59054>, Hunter Fan Eurus 54" Ceiling Fan, Model No. 59054, accessed Aug. 1, 2017.

<https://www.amazon.com/Craftmade-DA30SS3-Stainless-Steel-Ceiling/dp/B0079QS0BO>, Craftmade Dane Stainless Steel 30" Ceiling Fan with Light, Model No. DA30SS3, accessed Aug. 1, 2017.

<http://ceilingfans.emerson.com/shop/en/fan/fans-s-emerson-fans/fans-s-contemporary/luxe-eco-fan-p-cf550>, Emerson Luxe Eco, Modern Brushed Steel Energy Efficient Ceiling Fan, Model No. cf550, accessed Aug. 1, 2017.

<http://www.homedepot.com/p/Hampton-Bay-Stylique-II-56-in-Brushed-Nickel-Ceiling-Fan-AL979-BN/203786411>, Hampton Bay, Stylique II 56 in. Brushed Nickel Ceiling Fan, Model No. AL979-BN, accessed Aug. 1, 2017.

<http://www.kingoffans.com/#/products/ceilingFans>, King of Fans, Blackstone, Oil Rubbed Bronze, Model No. 70222, accessed Aug. 1, 2017.

<http://www.kingoffans.com/#/products/ceilingFans>, Fulton, Brushed Nickel, Model No. 23500, accessed Aug. 1, 2017.

<http://www.kingoffans.com/#/products/ceilingFans>, King of Fans, Sabitini, Bronze, Model No. 70212, accessed Aug. 1, 2017.

* cited by examiner

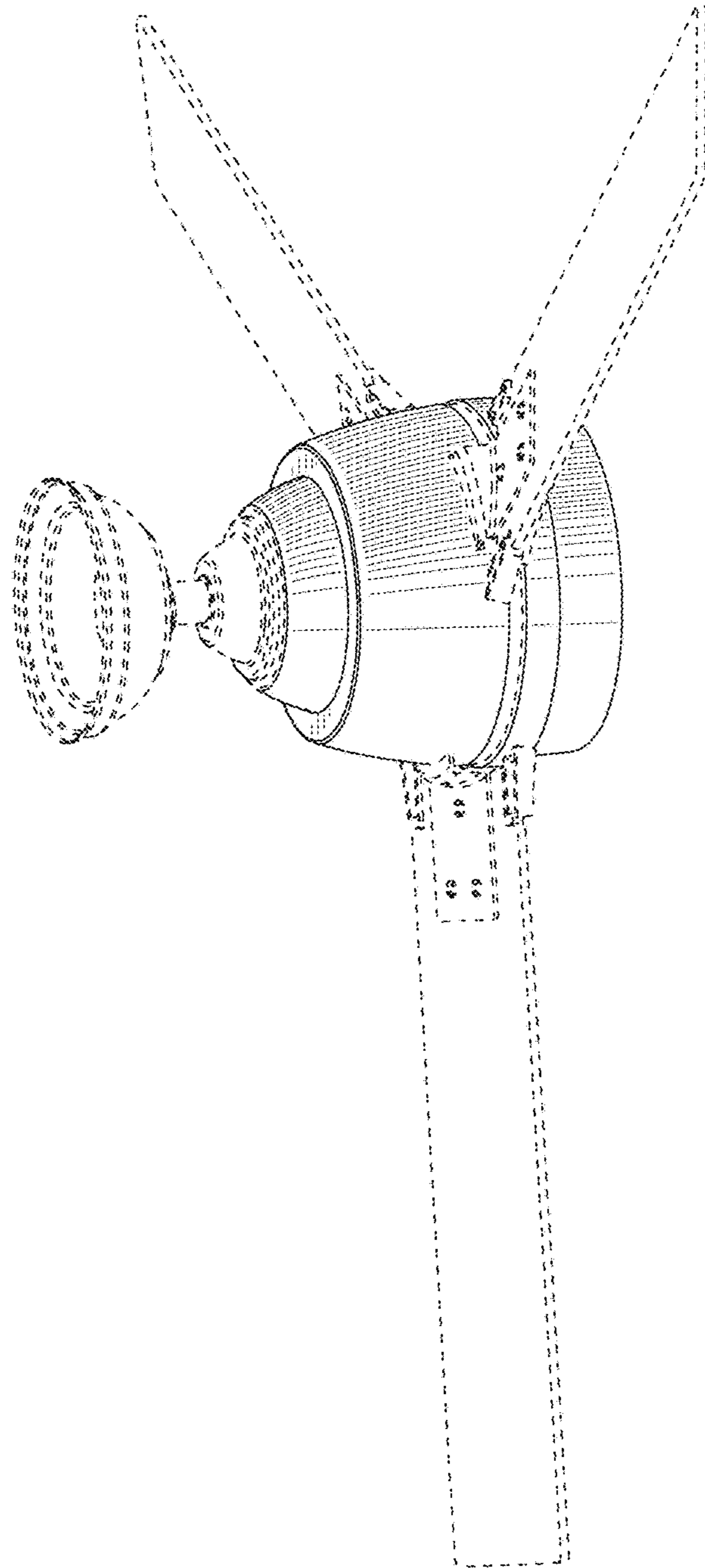


FIG. 1

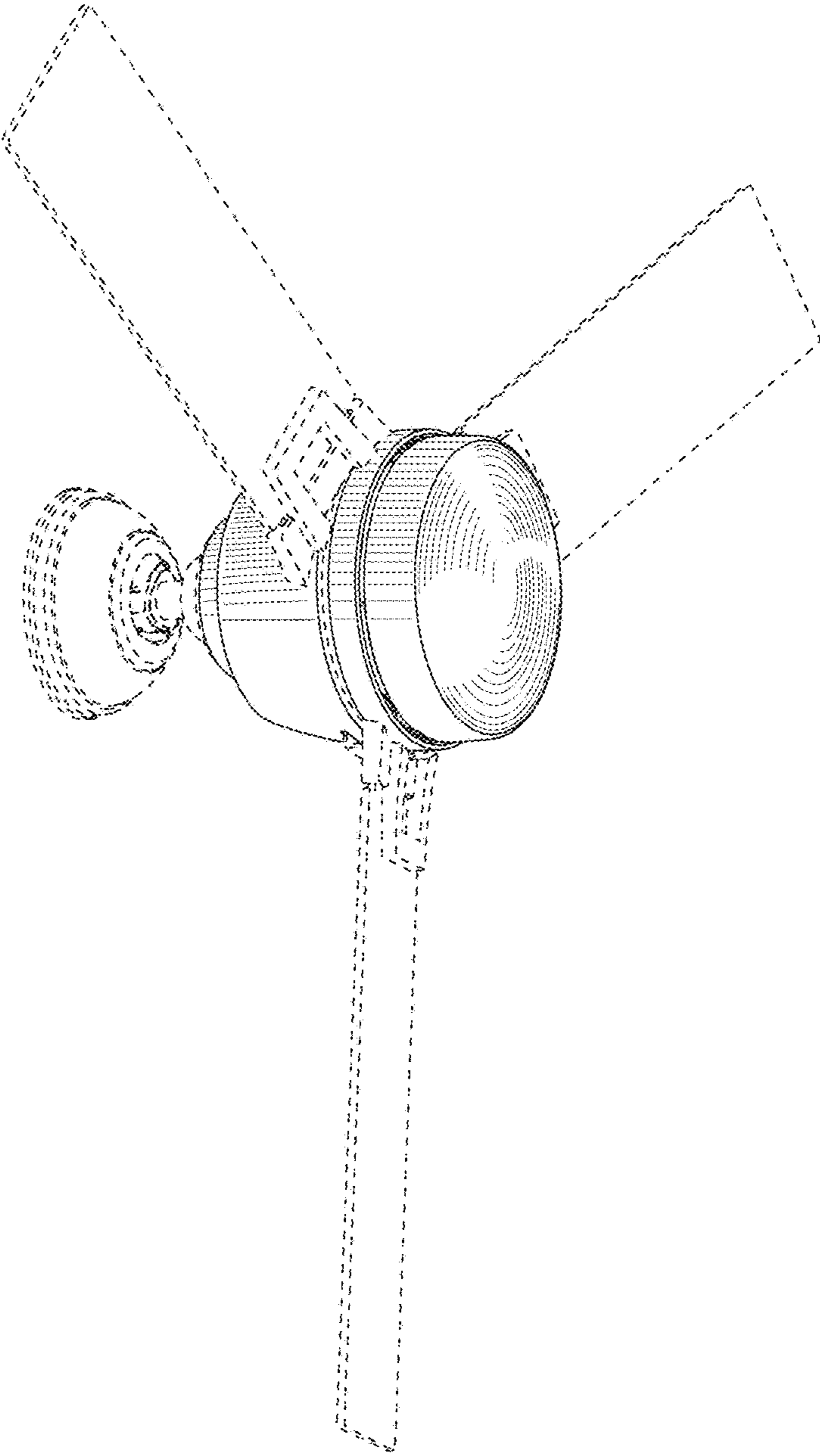


FIG. 2

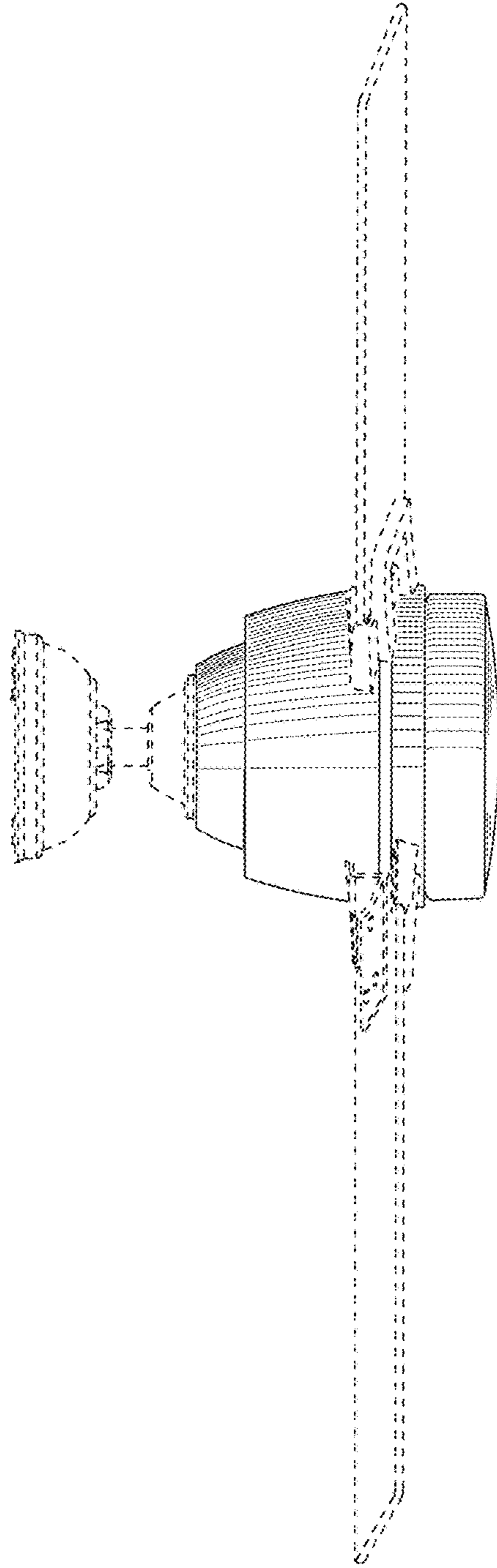


FIG. 3

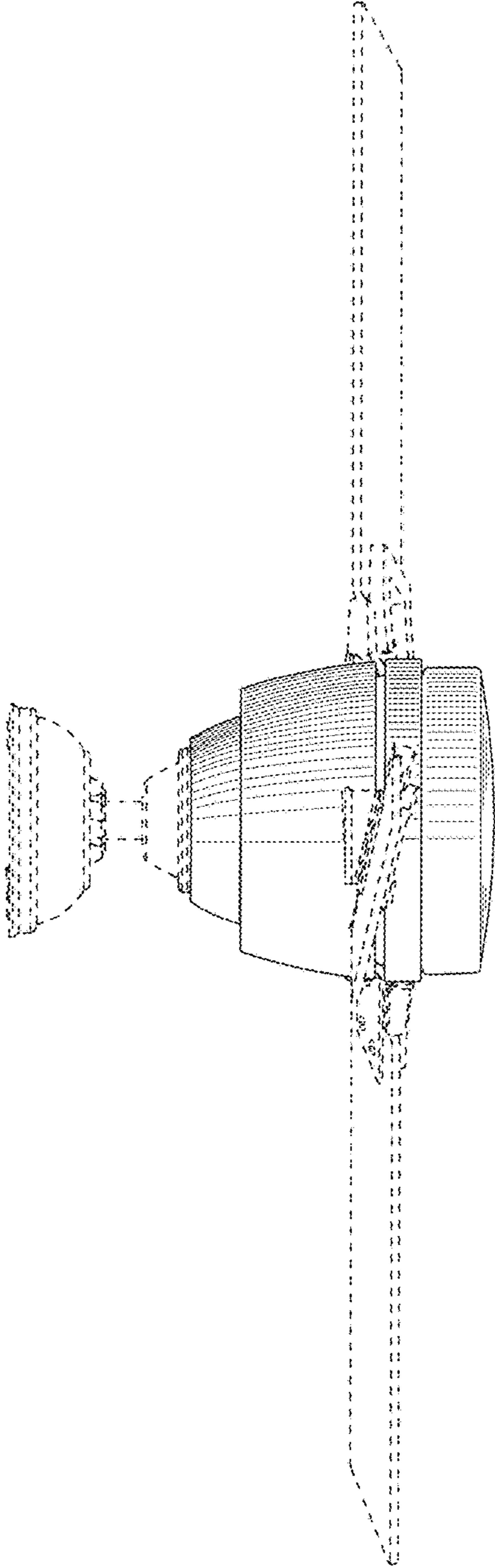


FIG. 4

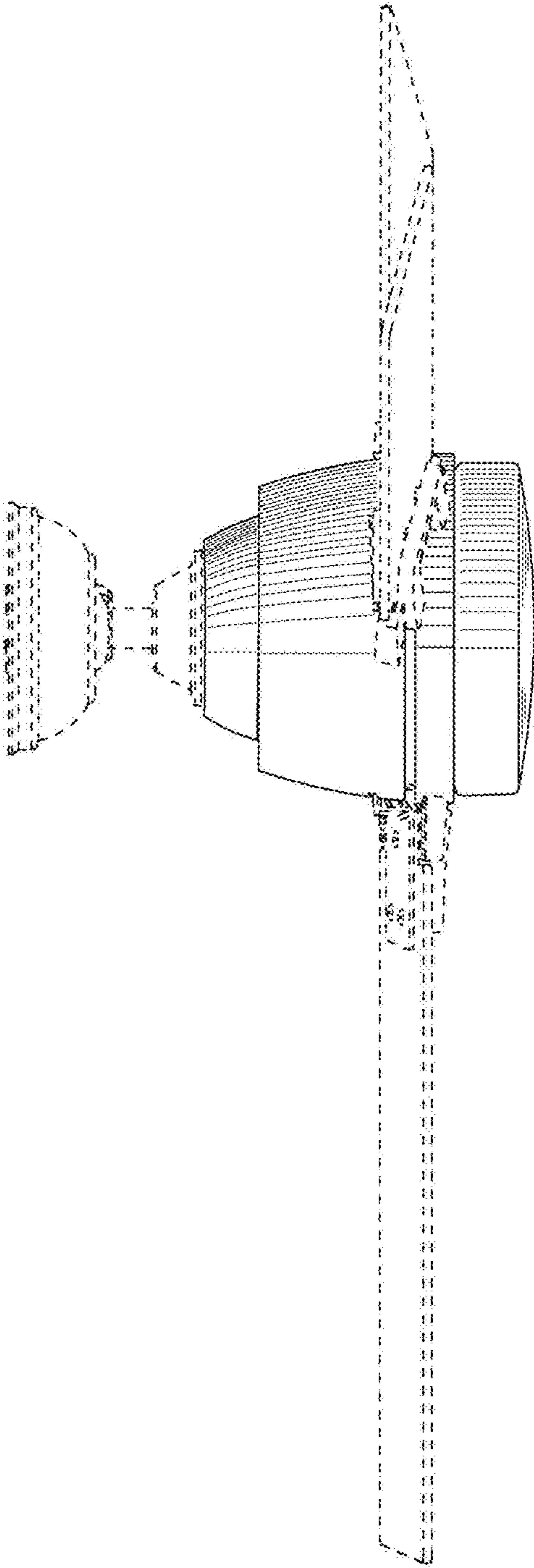


FIG. 5

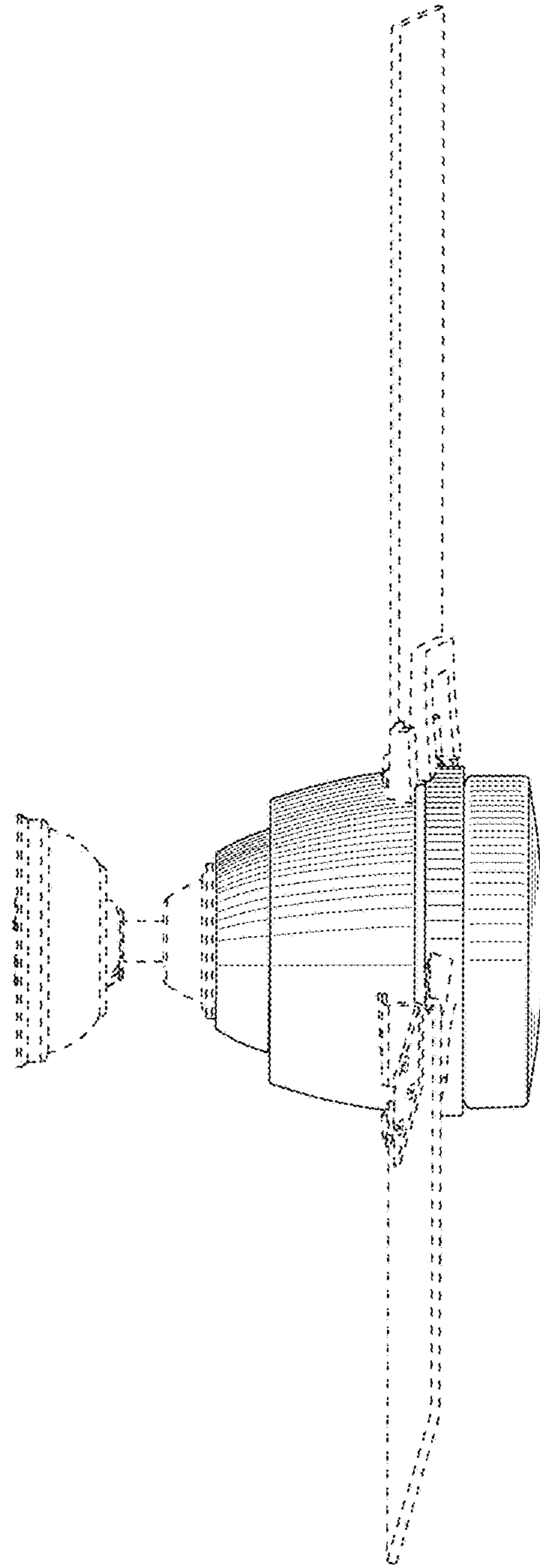


FIG. 6

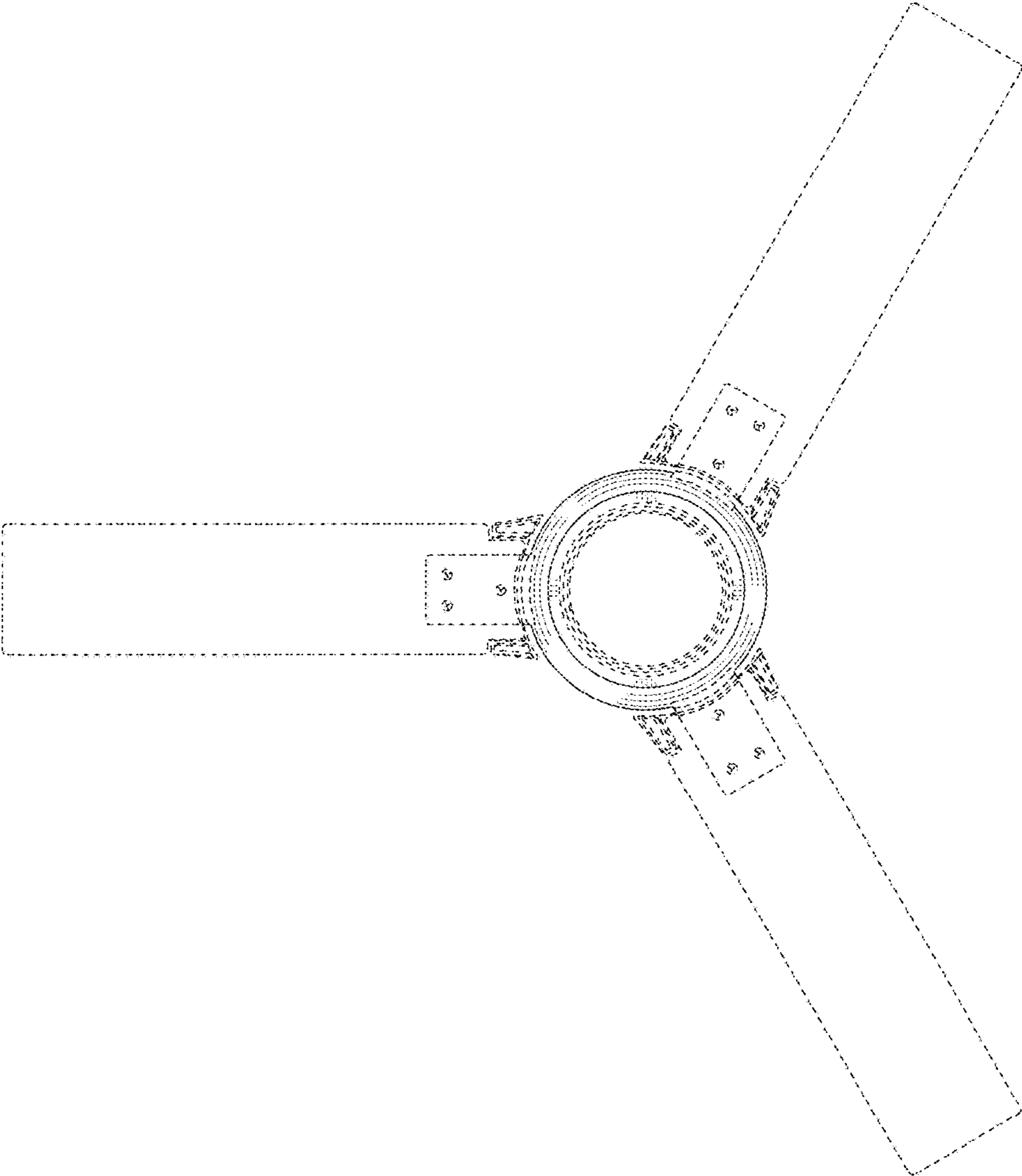


FIG. 7

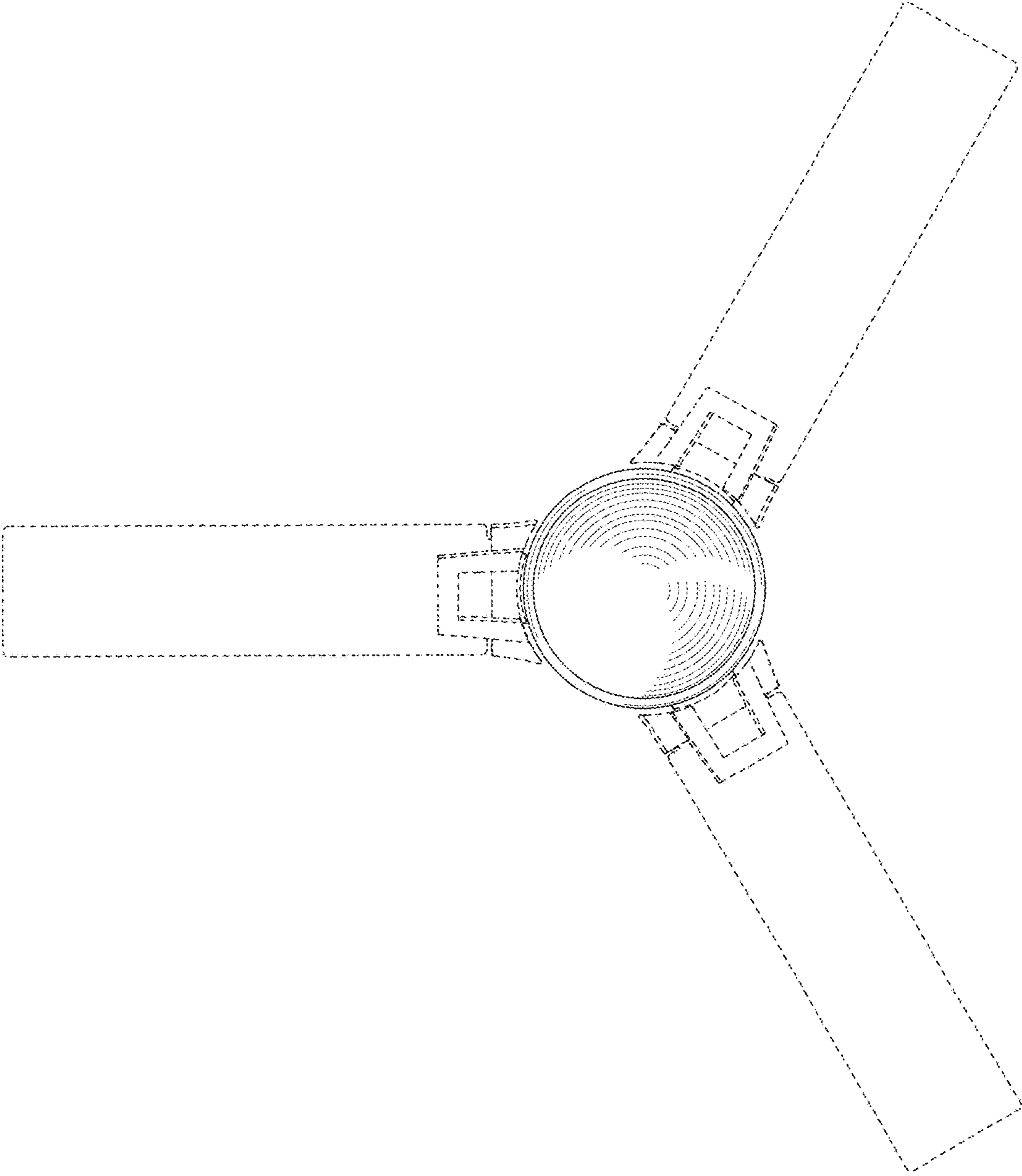


FIG. 8