

US00D866742S

(12) **United States Design Patent** (10) **Patent No.:** **US D866,742 S**  
**Garcia et al.** (45) **Date of Patent:** **\*\* Nov. 12, 2019**

(54) **AIR FRESHENER**  
 (71) Applicant: **Energizer Brands II, LLC**, St. Louis, MO (US)  
 (72) Inventors: **Raul Garcia**, Westlake, OH (US);  
**Thanh Tran**, Westlake, OH (US)  
 (73) Assignee: **Energizer Brands II, LLC**, St. Louis, MO (US)

D594,954 S 6/2009 Wheatley  
 D640,358 S 6/2011 Irvin  
 D640,359 S 6/2011 Irvin  
 D642,632 S \* 8/2011 Johnson ..... D21/444  
 D650,892 S 12/2011 Wheatley et al.  
 D664,246 S 7/2012 Irvin et al.  
 D684,675 S 6/2013 Irvin et al.  
 8,460,609 B1 6/2013 Wheatley et al.  
 8,480,960 B2 7/2013 Wheatley et al.  
 8,685,330 B2 4/2014 Irvin et al.  
 D733,280 S 6/2015 Bourne  
 9,138,503 B2\* 9/2015 Bell ..... A61L 9/122

(\*\*) Term: **15 Years**

\* cited by examiner

(21) Appl. No.: **29/643,916**

*Primary Examiner* — Sheryl Lane

(22) Filed: **Apr. 12, 2018**

*Assistant Examiner* — Calvin E Vansant

(51) **LOC (12) Cl.** ..... **23-04**

(74) *Attorney, Agent, or Firm* — Armstrong Teasdale LLP

(52) **U.S. Cl.**  
USPC ..... **D23/366**

(57) **CLAIM**

(58) **Field of Classification Search**  
 USPC .... D23/208, 355–369; D14/209.1, 212–213;  
 D8/1, 391  
 CPC ..... A61L 9/02; A61L 9/03; A61L 9/12; A61L  
 9/035; A61L 9/125; A61L 2209/15; A61L  
 2209/16  
 See application file for complete search history.

The ornamental design for an air freshener, as shown and described.

**DESCRIPTION**

(56) **References Cited**

U.S. PATENT DOCUMENTS

D24,692 S \* 9/1895 Cain et al. .... D21/444  
 D275,555 S \* 9/1984 Giggey ..... D8/1  
 D398,976 S \* 9/1998 Green ..... D23/366  
 D422,350 S \* 4/2000 Wu ..... A61L 9/122  
 D23/366  
 6,103,201 A \* 8/2000 Green ..... A61L 9/122  
 239/289  
 D497,986 S \* 11/2004 Morillas ..... D23/366  
 D544,594 S \* 6/2007 Zobebe ..... D23/366  
 D585,129 S \* 1/2009 Huang ..... A61L 9/122  
 D23/366

FIG. 1 is a top front perspective view of an air freshener according to one exemplary embodiment of the present design.

FIG. 2 is a bottom rear perspective view of the air freshener of FIG. 1.

FIG. 3 is a front view the air freshener of FIG. 1.

FIG. 4 is a back view of the air freshener of FIG. 1.

FIG. 5 is a left side view of the air freshener of FIG. 1.

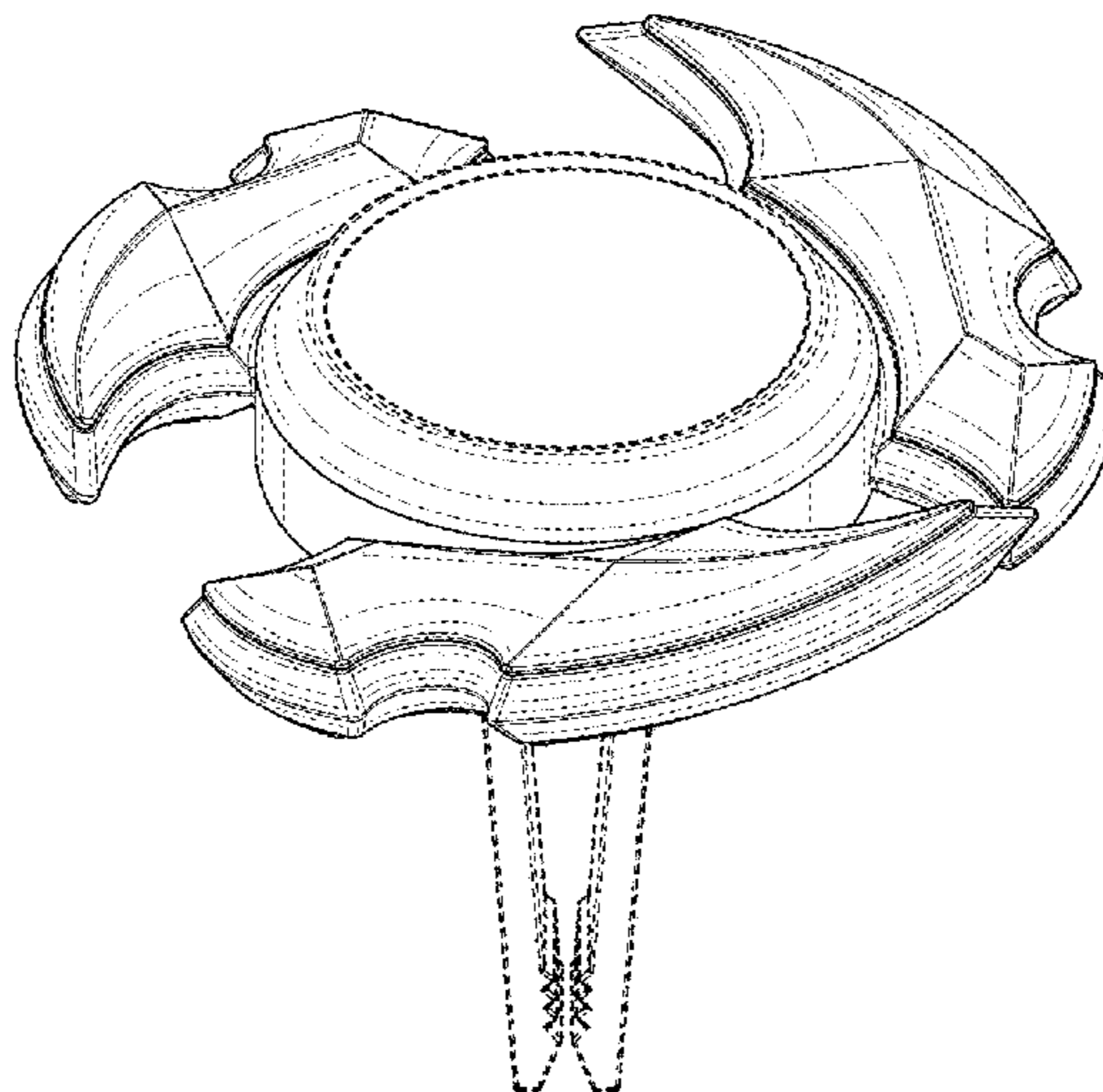
FIG. 6 is a right side view of the air freshener of FIG. 1.

FIG. 7 is a top view of the air freshener of FIG. 1; and,

FIG. 8 is a bottom view of the air freshener of FIG. 1.

The broken lines shown are provided for the purpose of illustrating environmental structure and form no part of the claimed design.

**1 Claim, 8 Drawing Sheets**



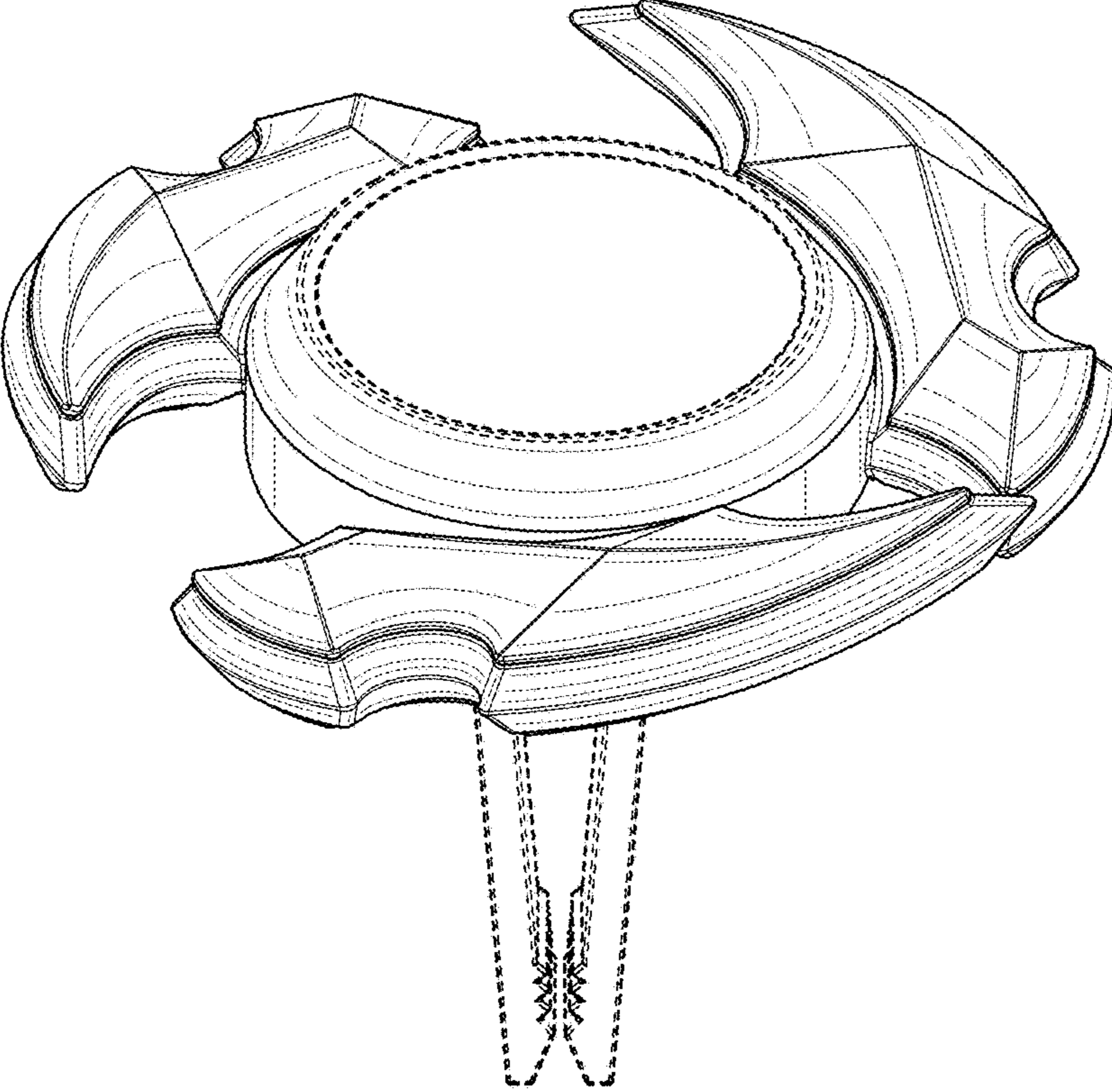


FIG. 1

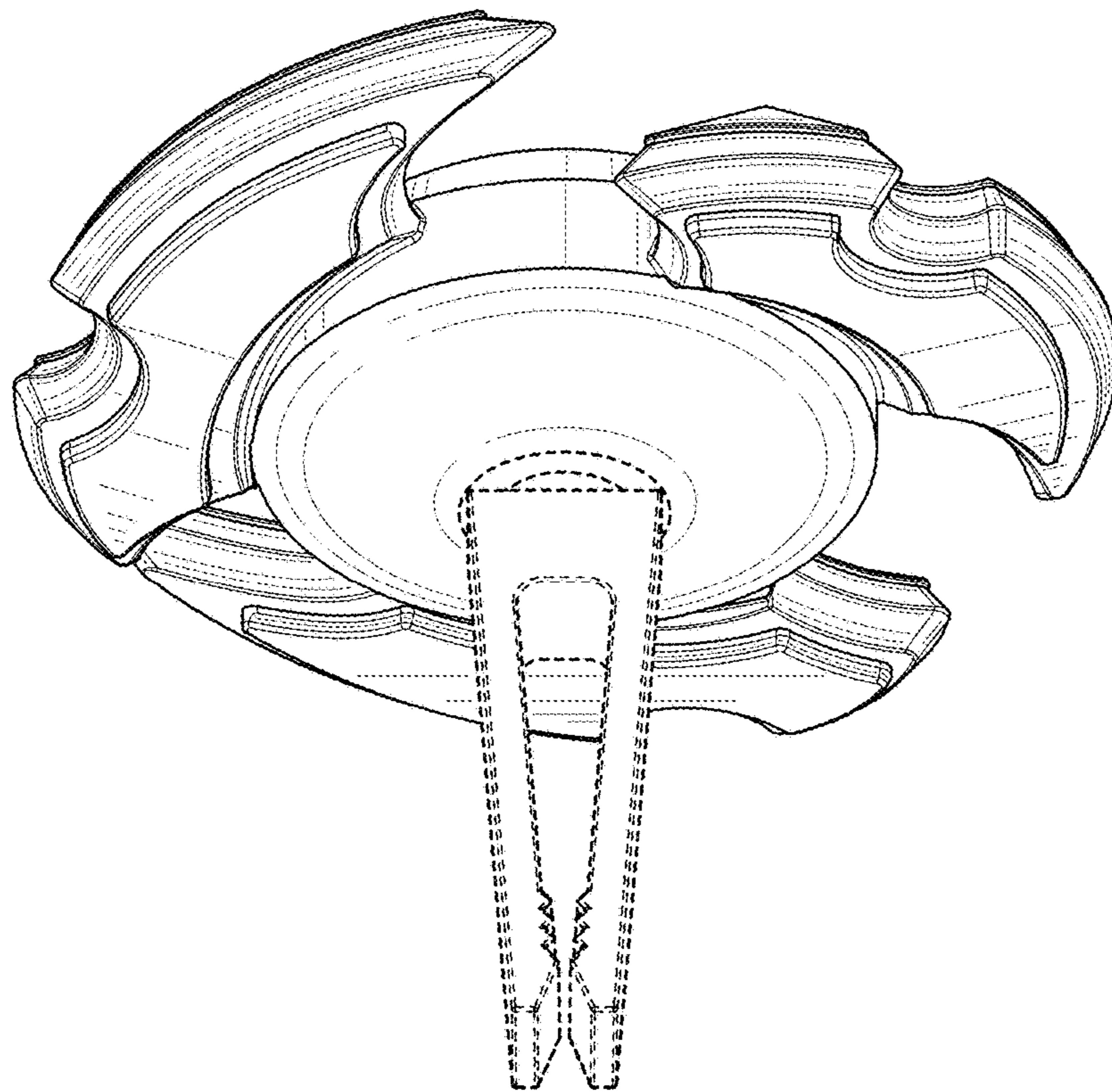


FIG. 2

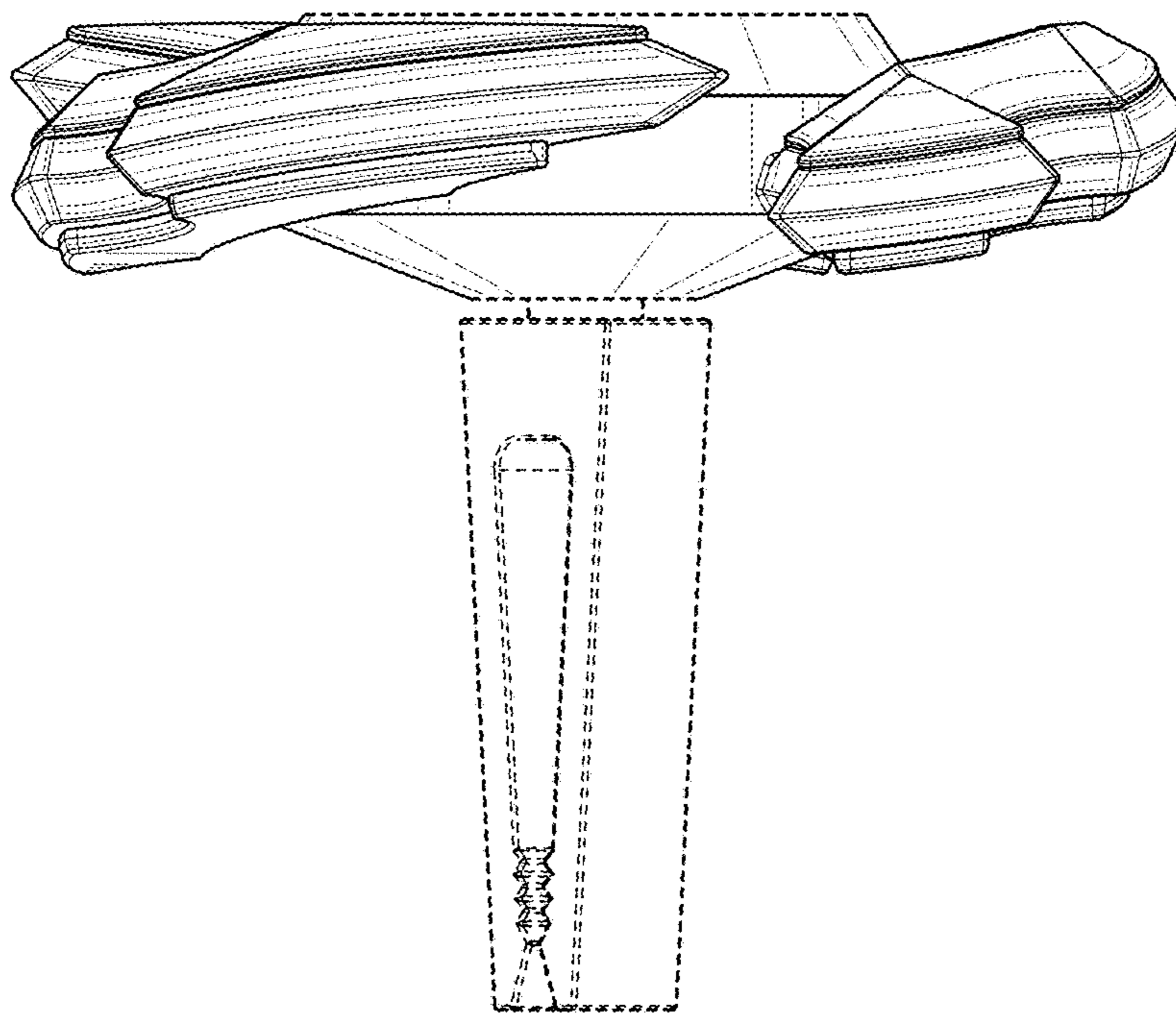


FIG. 3



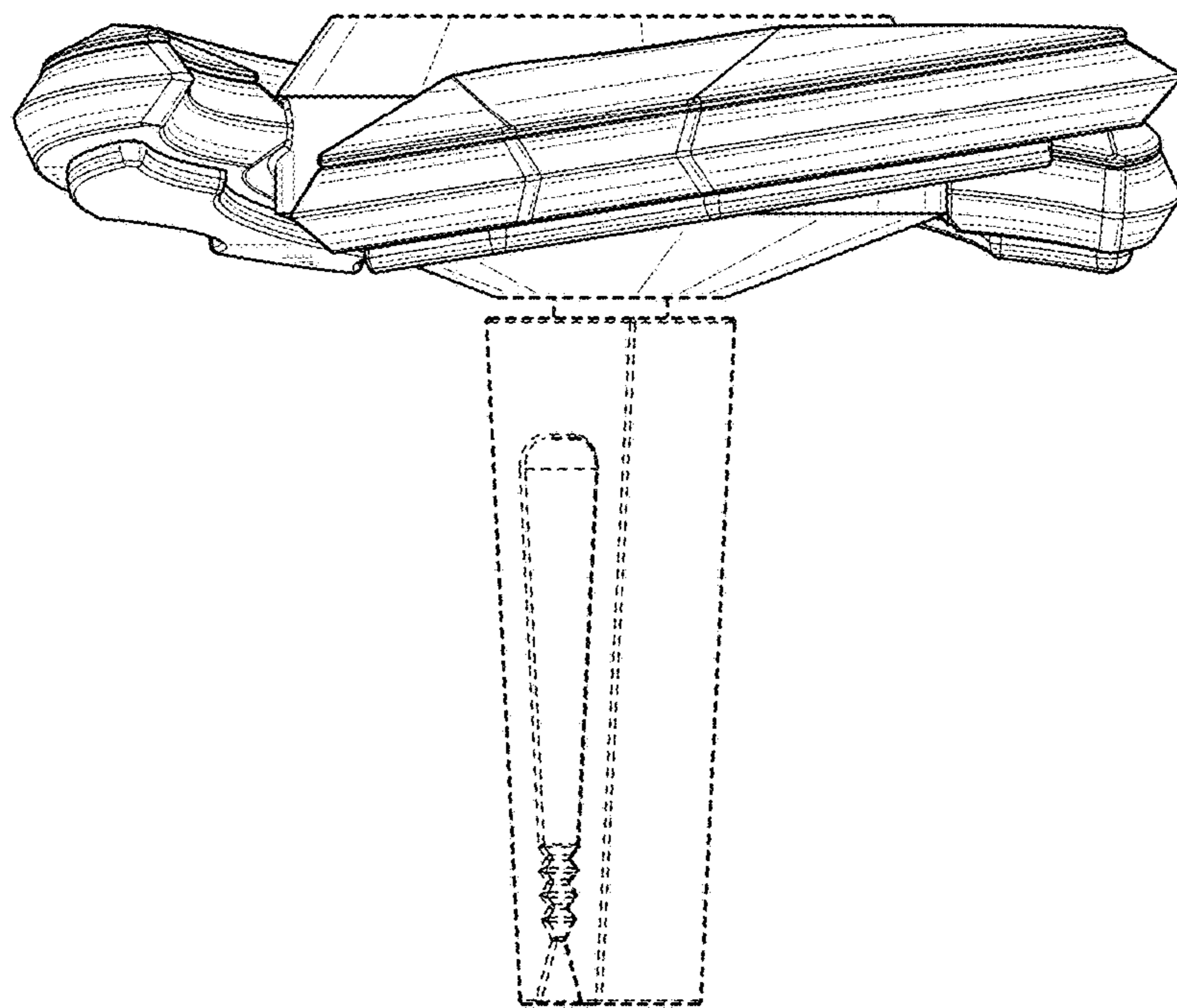


FIG. 4

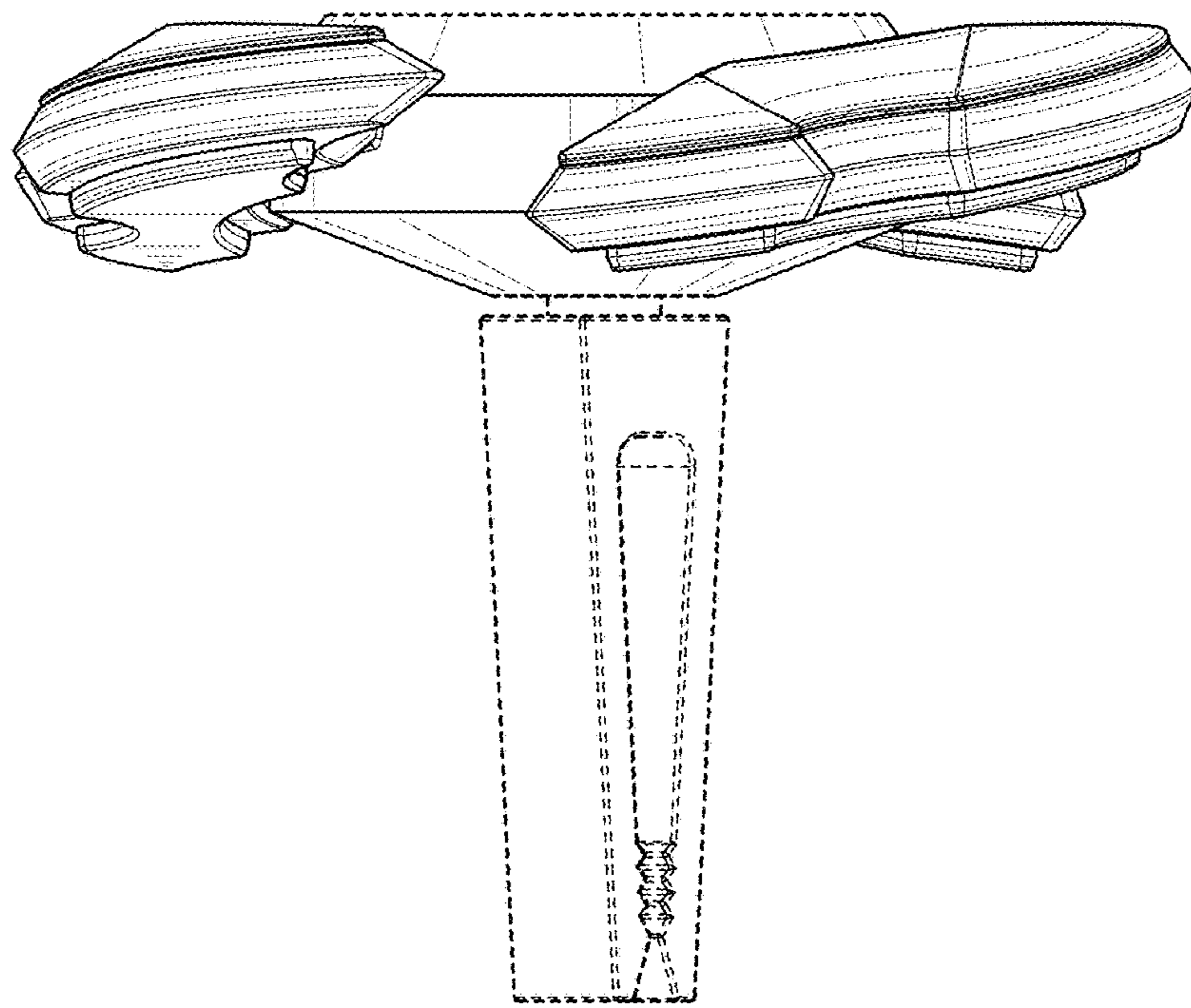


FIG. 5

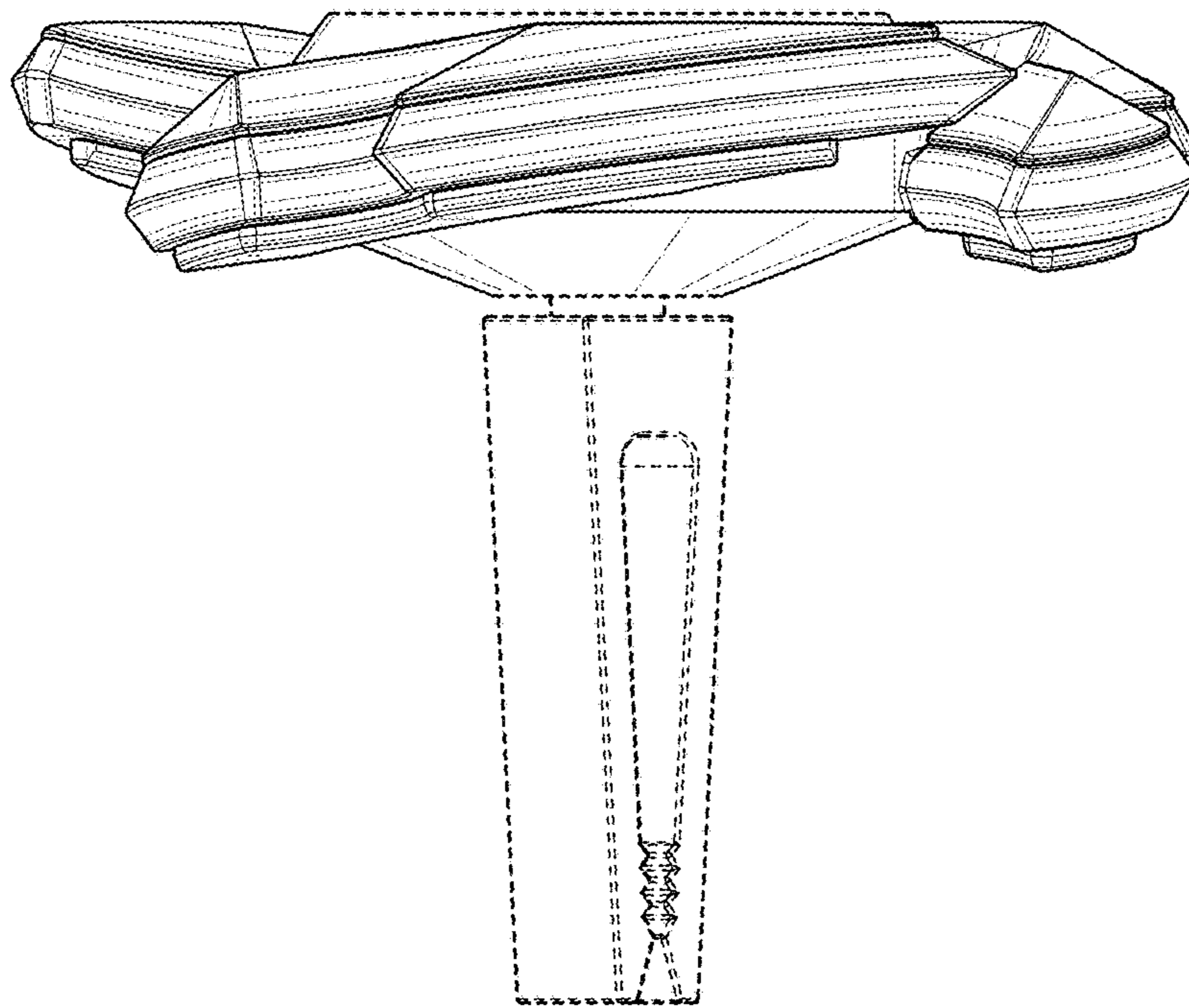


FIG. 6

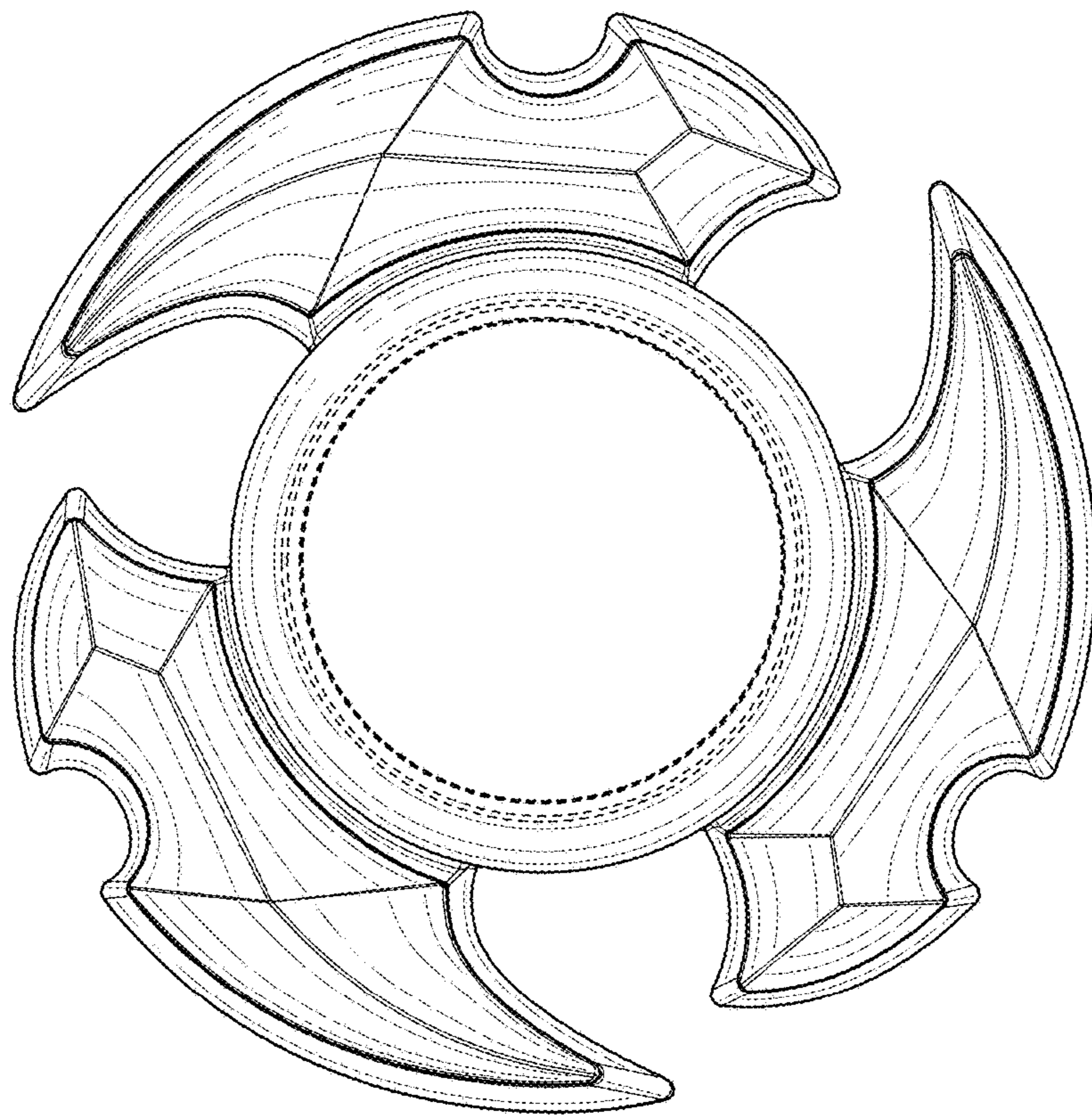


FIG. 7



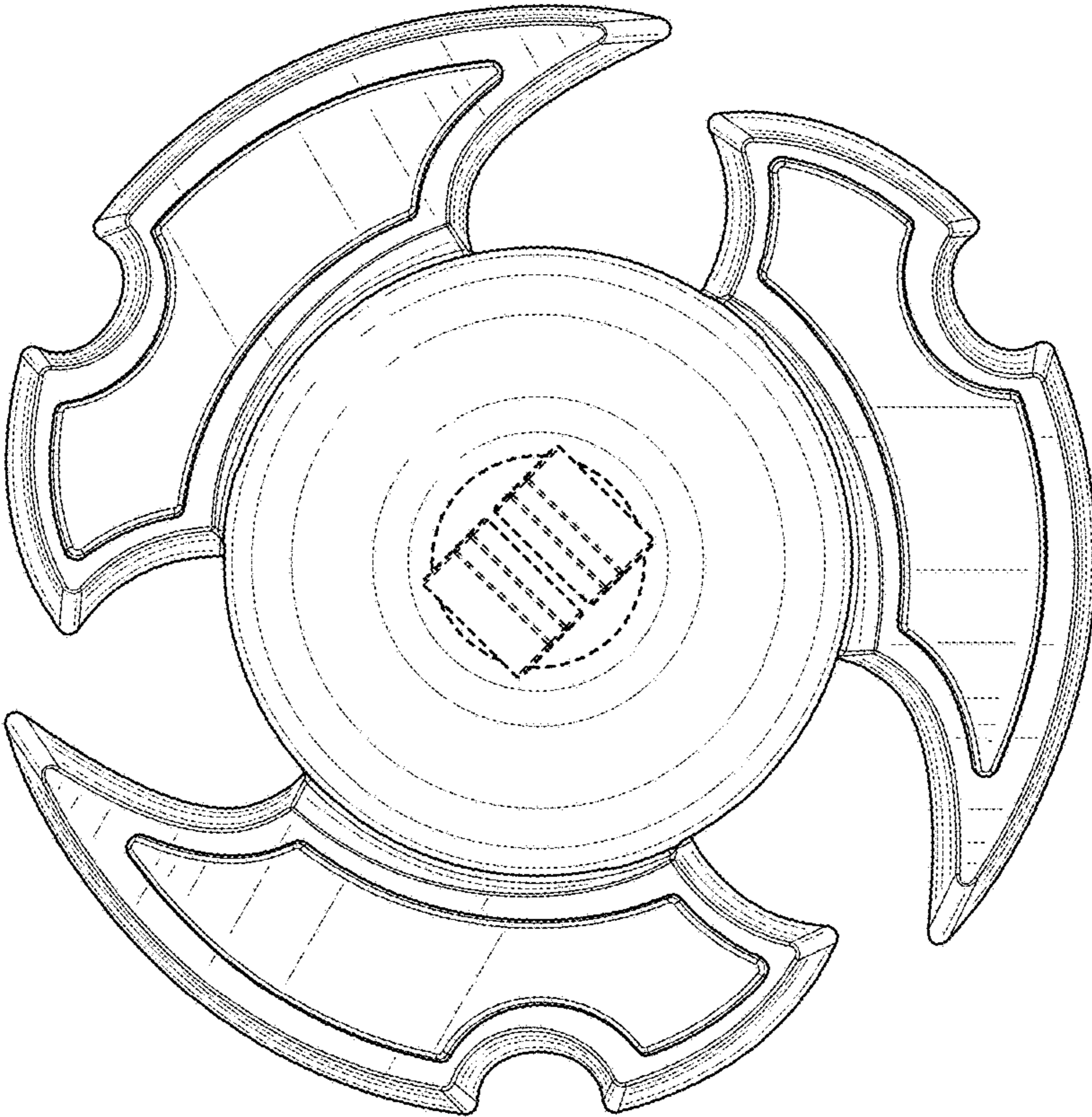


FIG. 8