



US00D866741S

(12) **United States Design Patent**
Tran et al.

(10) **Patent No.:** **US D866,741 S**

(45) **Date of Patent:** **** Nov. 12, 2019**

(54) **AIR FRESHENER**

(71) Applicant: **Energizer Brands II, LLC**, St. Louis, MO (US)

(72) Inventors: **Thanh Tran**, Westlake, OH (US); **Matt Gallen**, Westlake, OH (US)

(73) Assignee: **Energizer Brands II, LLC**, St. Louis, MO (US)

(**) Term: **15 Years**

(21) Appl. No.: **29/643,326**

(22) Filed: **Apr. 6, 2018**

(51) **LOC (12) Cl.** **23-04**

(52) **U.S. Cl.**
USPC **D23/366**

(58) **Field of Classification Search**
USPC D23/208, 355-369; D14/209.1, 212-213; D8/1, 391
CPC A61L 9/02; A61L 9/03; A61L 9/12; A61L 9/035; A61L 9/125; A61L 2209/15; A61L 2209/16
See application file for complete search history.

(56) **References Cited**

U.S. PATENT DOCUMENTS

D418,215 S *	12/1999	Rosenberg	D23/366
D594,954 S *	6/2009	Wheatley	D23/366
7,687,038 B2	3/2010	Wheatley et al.		
D619,692 S *	7/2010	Hami	D23/366
D619,693 S *	7/2010	Hami	D23/366
D619,694 S *	7/2010	Hami	D23/366
D620,573 S *	7/2010	Hami	D23/366
D640,359 S	6/2011	Irvin		
D650,892 S	12/2011	Wheatley et al.		
8,147,761 B2	4/2012	Wheatley et al.		

D667,100 S *	9/2012	Hakim	D23/366
D684,675 S	6/2013	Irvin et al.		
8,460,609 B1 *	6/2013	Wheatley	A61L 9/042 422/120
8,480,960 B2	7/2013	Wheatley et al.		
8,685,330 B2	4/2014	Irvin et al.		
D733,280 S	6/2015	Bourne		
9,155,811 B1 *	10/2015	Haymond	A61L 9/12
D767,110 S *	9/2016	D'Amico	D23/368

FOREIGN PATENT DOCUMENTS

KR 2016095577 A * 8/2016 B60H 3/0007

* cited by examiner

Primary Examiner — Sheryl Lane

Assistant Examiner — Calvin E Vansant

(74) *Attorney, Agent, or Firm* — Armstrong Teasdale LLP

(57) **CLAIM**

The ornamental design for an air freshener, as shown and described.

DESCRIPTION

FIG. 1 is a top, front perspective view of an air freshener according to an embodiment of the present design.

FIG. 2 is a bottom, rear perspective view of the air freshener of FIG. 1.

FIG. 3 is a front view the air freshener of FIG. 1.

FIG. 4 is a back view of the air freshener of FIG. 1.

FIG. 5 is a left side view of the air freshener of FIG. 1.

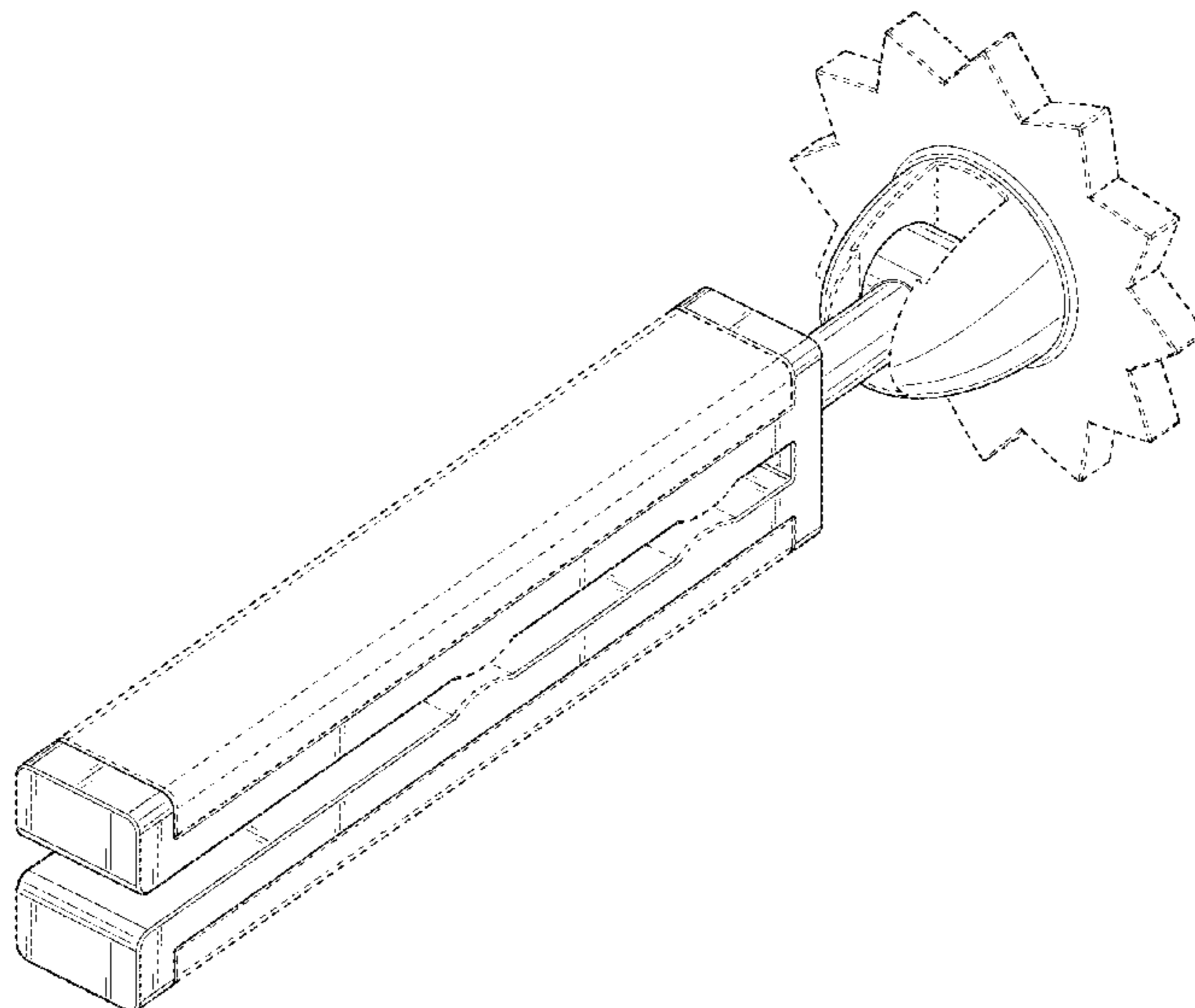
FIG. 6 is a right side view of the air freshener of FIG. 1.

FIG. 7 is a top view of the air freshener of FIG. 1; and,

FIG. 8 is a bottom view of the air freshener of FIG. 1.

The broken lines shown are provided for the purpose of illustrating environmental structure and form no part of the claimed design.

1 Claim, 8 Drawing Sheets



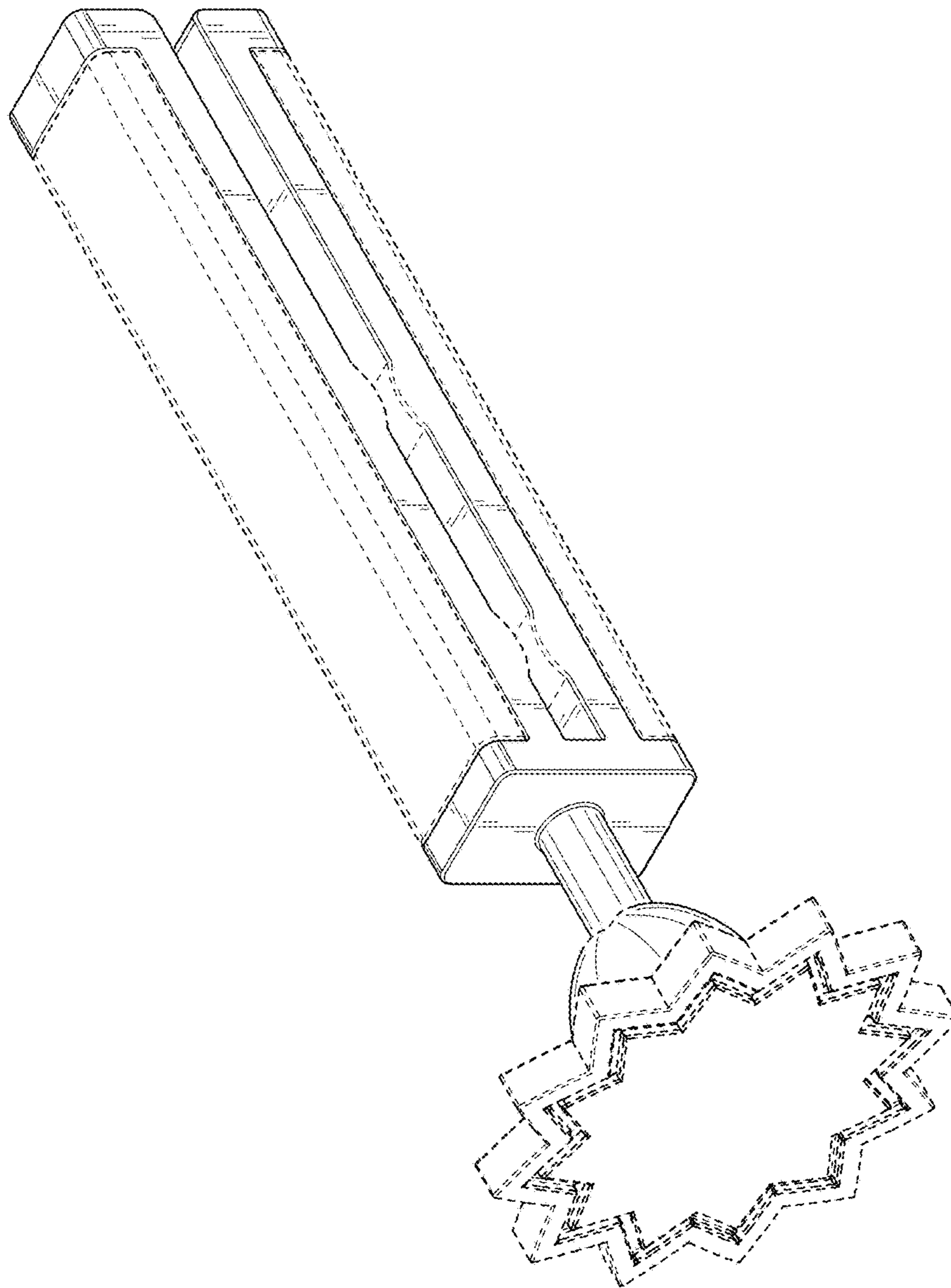


FIG. 1

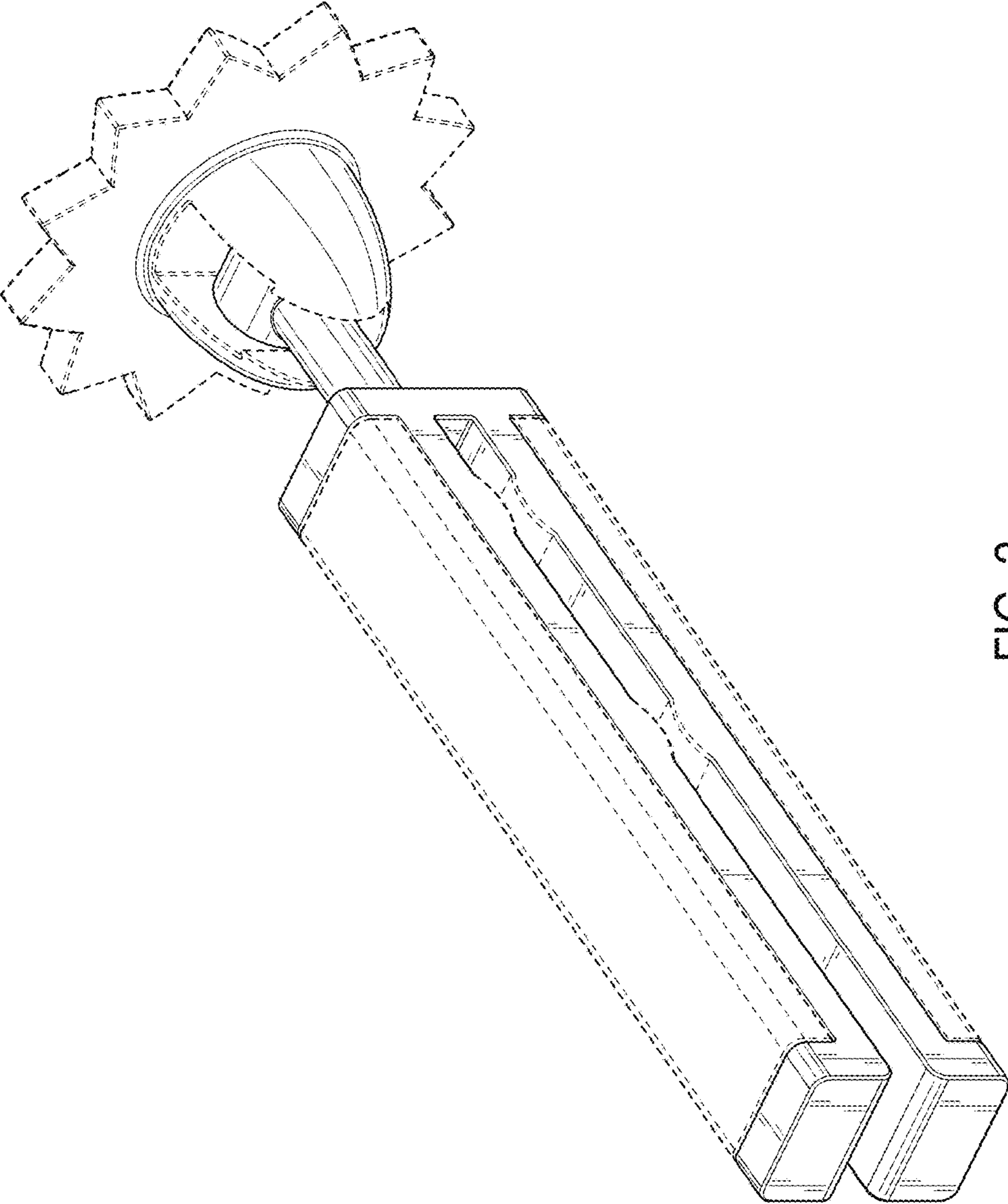


FIG. 2

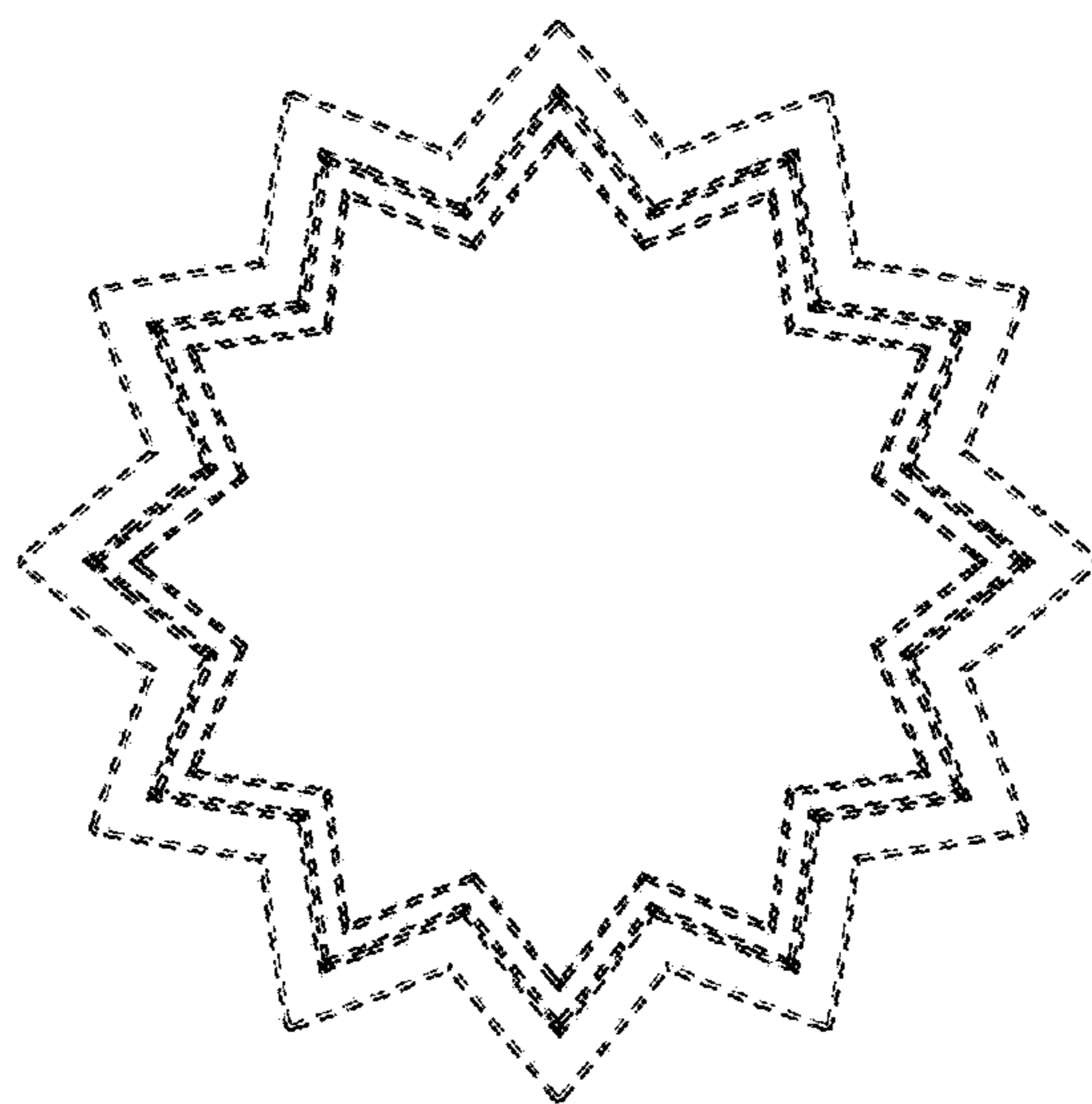


FIG. 3

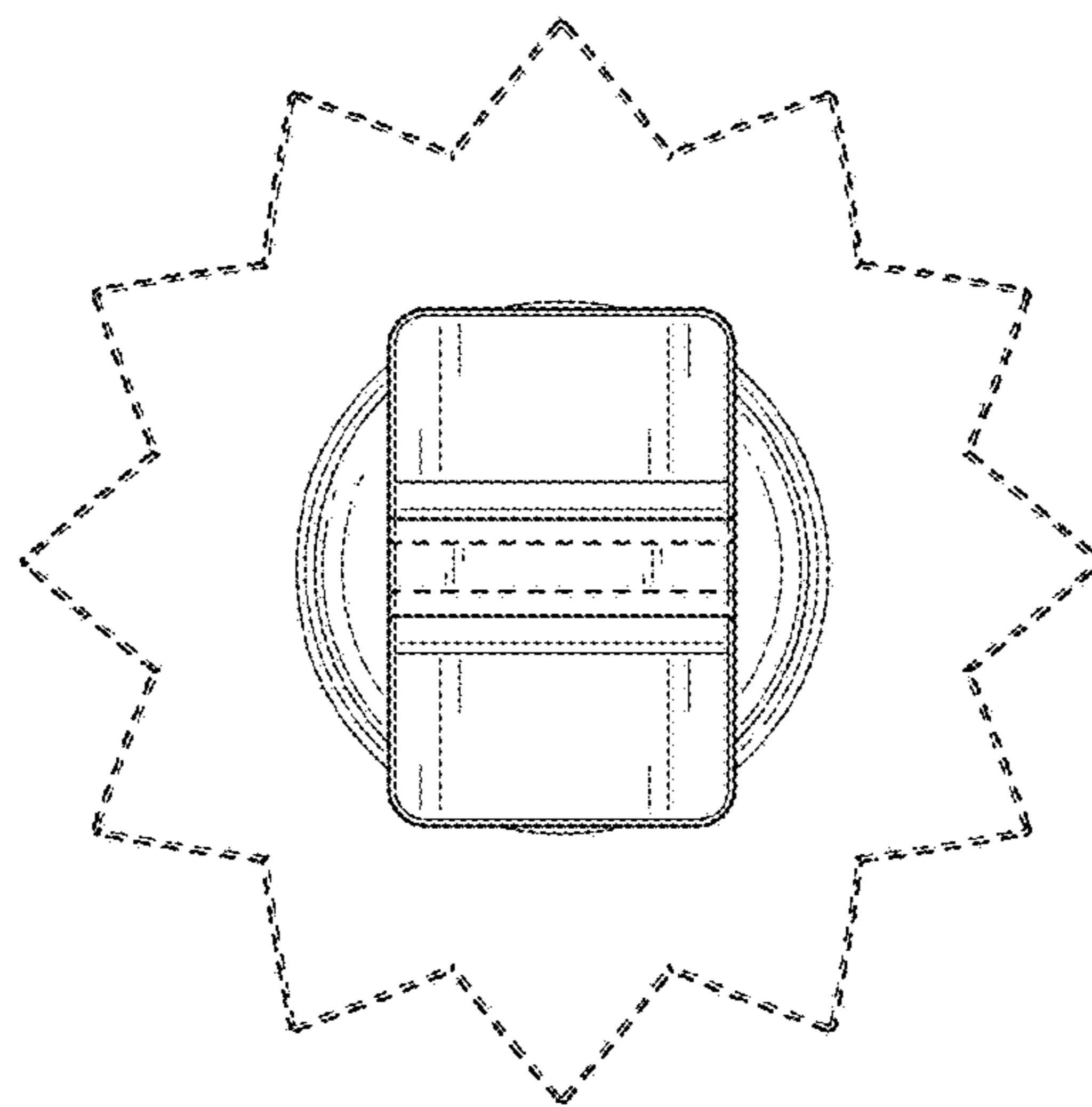


FIG. 4

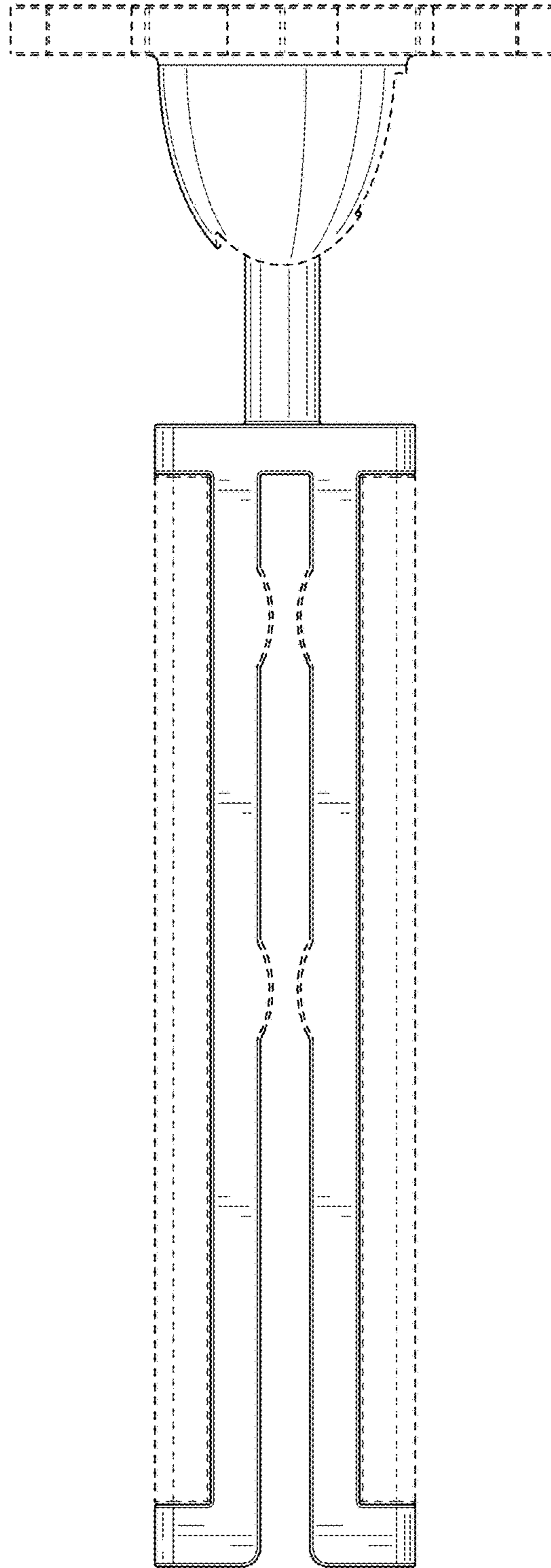


FIG. 5

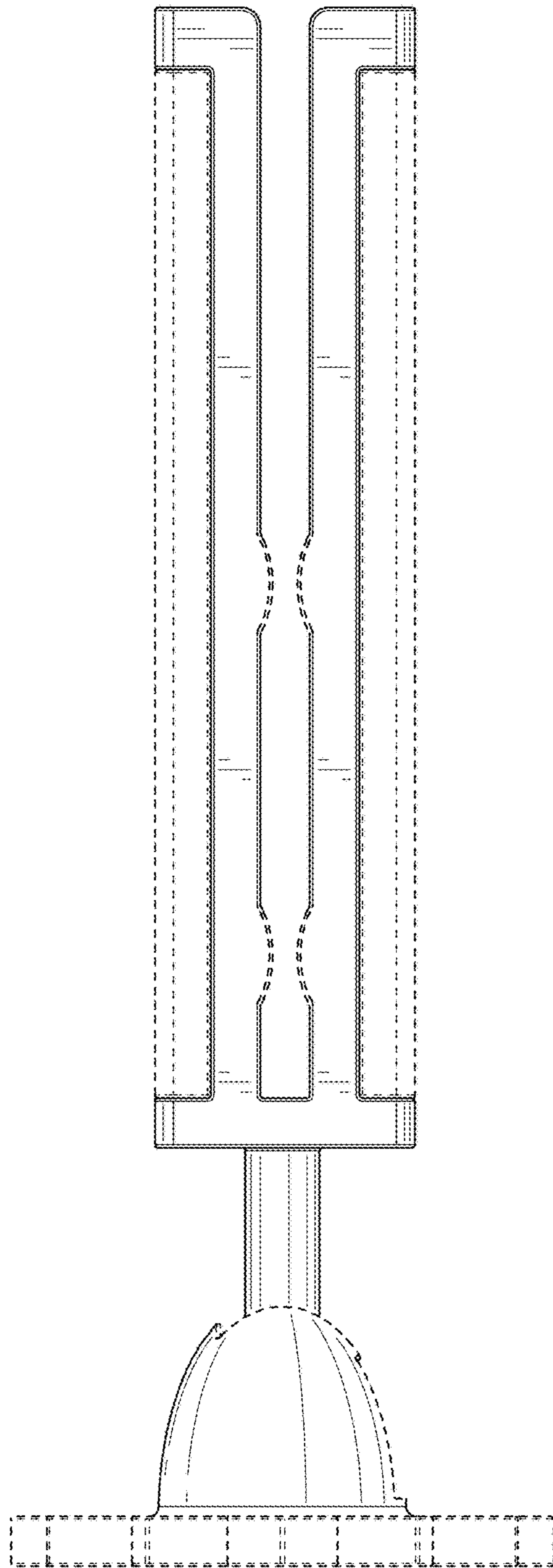


FIG. 6

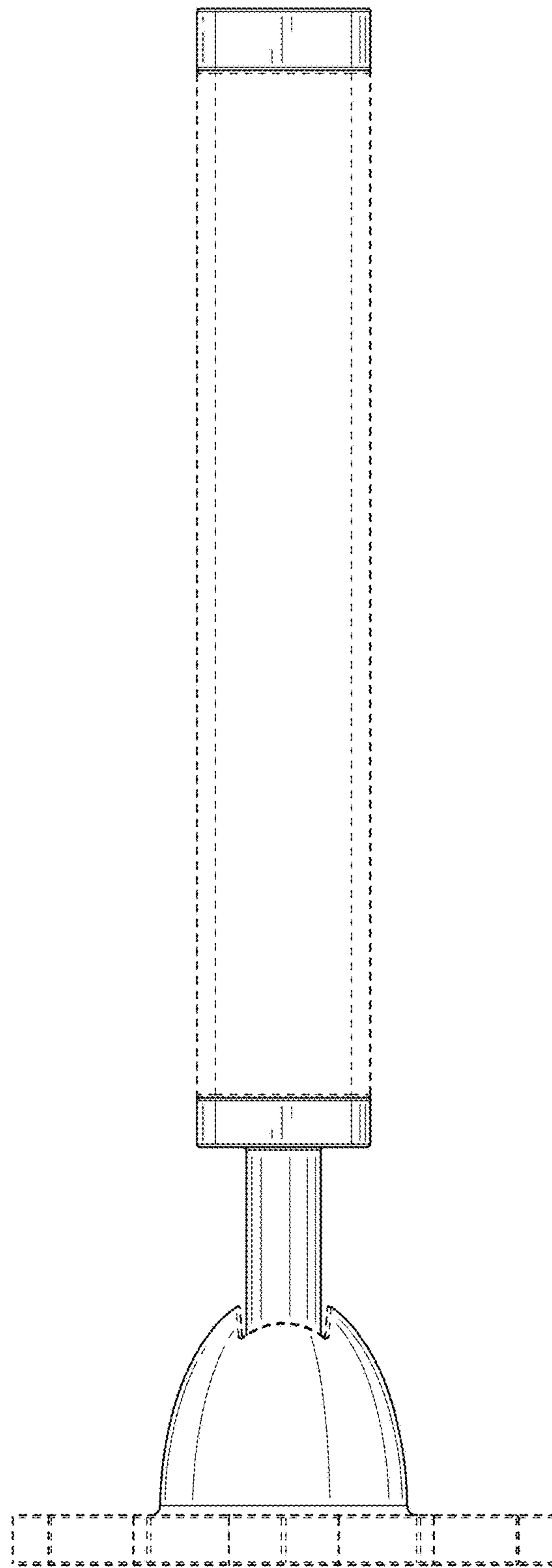


FIG. 7

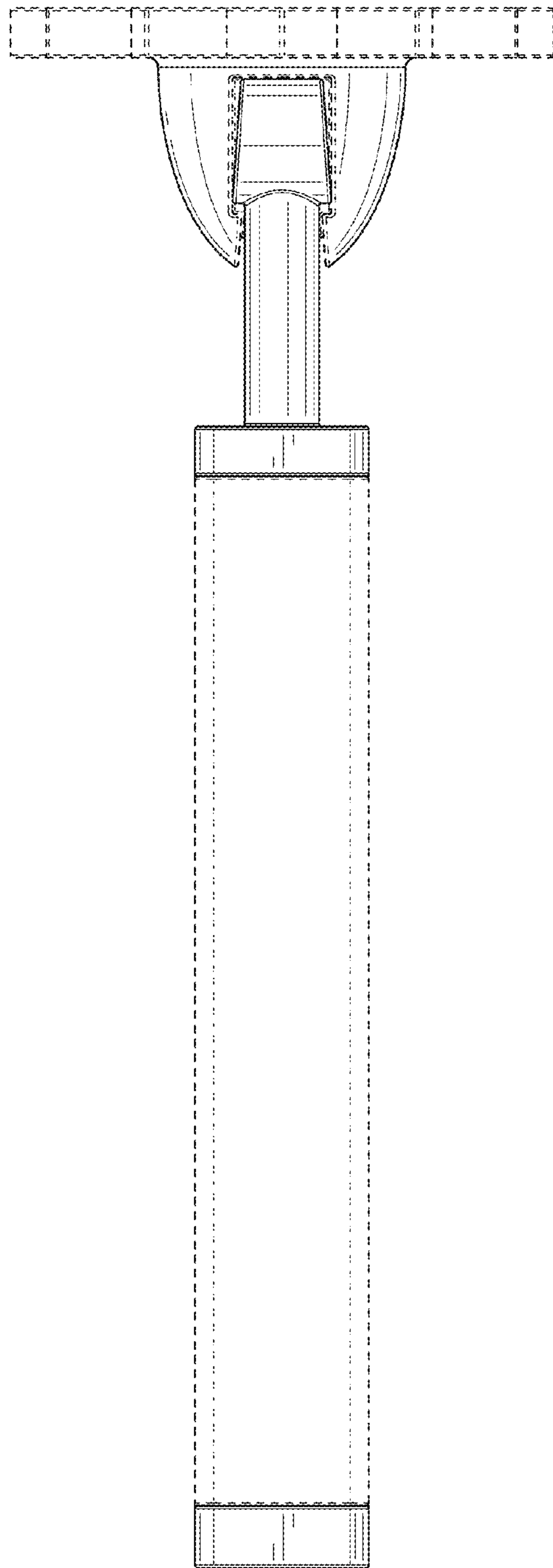


FIG. 8