



US00D866739S

(12) **United States Design Patent** (10) **Patent No.:** **US D866,739 S**  
**Morgan et al.** (45) **Date of Patent:** **\*\* Nov. 12, 2019**

(54) **FILTER**  
(71) Applicant: **CAMFIL USA, INC.**, Riverdale, NJ  
(US)

3,071,915 A 1/1963 Hardy  
3,334,752 A 8/1967 Matravers  
3,385,034 A 5/1968 Farr  
(Continued)

(72) Inventors: **Lee Pendleton Morgan**, Jonesboro, AR  
(US); **Tim Hudson**, Jonesboro, AR  
(US)

FOREIGN PATENT DOCUMENTS

CH 621712 A5 2/1981  
DE 9405637 U1 5/1994  
(Continued)

(73) Assignee: **CAMFIL USA, INC.**, Riverdale, NJ  
(US)

OTHER PUBLICATIONS

(\*\*) Term: **15 Years**

Office Action from Canadian Patent Application No. 2,850,414 dated Aug. 14, 2018.

(21) Appl. No.: **29/584,818**

(Continued)

(22) Filed: **Nov. 17, 2016**

*Primary Examiner* — Sandra S Snapp  
(74) *Attorney, Agent, or Firm* — Patterson + Sheridan, LLP

**Related U.S. Application Data**

(63) Continuation of application No. 14/874,050, filed on Oct. 2, 2015, now Pat. No. 9,937,452, which is a continuation of application No. 14/187,258, filed on Feb. 22, 2014, now Pat. No. 9,174,155, which is a continuation of application No. 13/275,832, filed on Oct. 18, 2011, now Pat. No. 8,673,037.

(57) **CLAIM**

The ornamental design for a filter, as shown and described.

(51) **LOC (12) Cl.** ..... **23-04**

(52) **U.S. Cl.**  
USPC ..... **D23/365**

(58) **Field of Classification Search**  
USPC ..... D23/355–365, 386–388, 314, 325, 302,  
D23/283, 493, 502; 55/478, 482, 483,  
55/490, 497, 498, 520, 521, 529, 508,  
55/511; 95/273, 278, 279, 280  
CPC .... B01D 46/00; B01D 46/0004; B01D 27/04;  
B01D 27/06; B01D 39/00  
See application file for complete search history.

**DESCRIPTION**

This application is also related to U.S. Design application Ser. No. 29/558,399, filed Mar. 17, 2016, now U.S. Design Pat. No. D770,026.

FIG. 1 is a perspective view of a filter showing our new design;

FIG. 2 is a top plan view thereof;

FIG. 3 is front elevational view thereof, the rear being a mirror image; and,

FIG. 4 is a right side elevational view thereof, the left side being a mirror image.

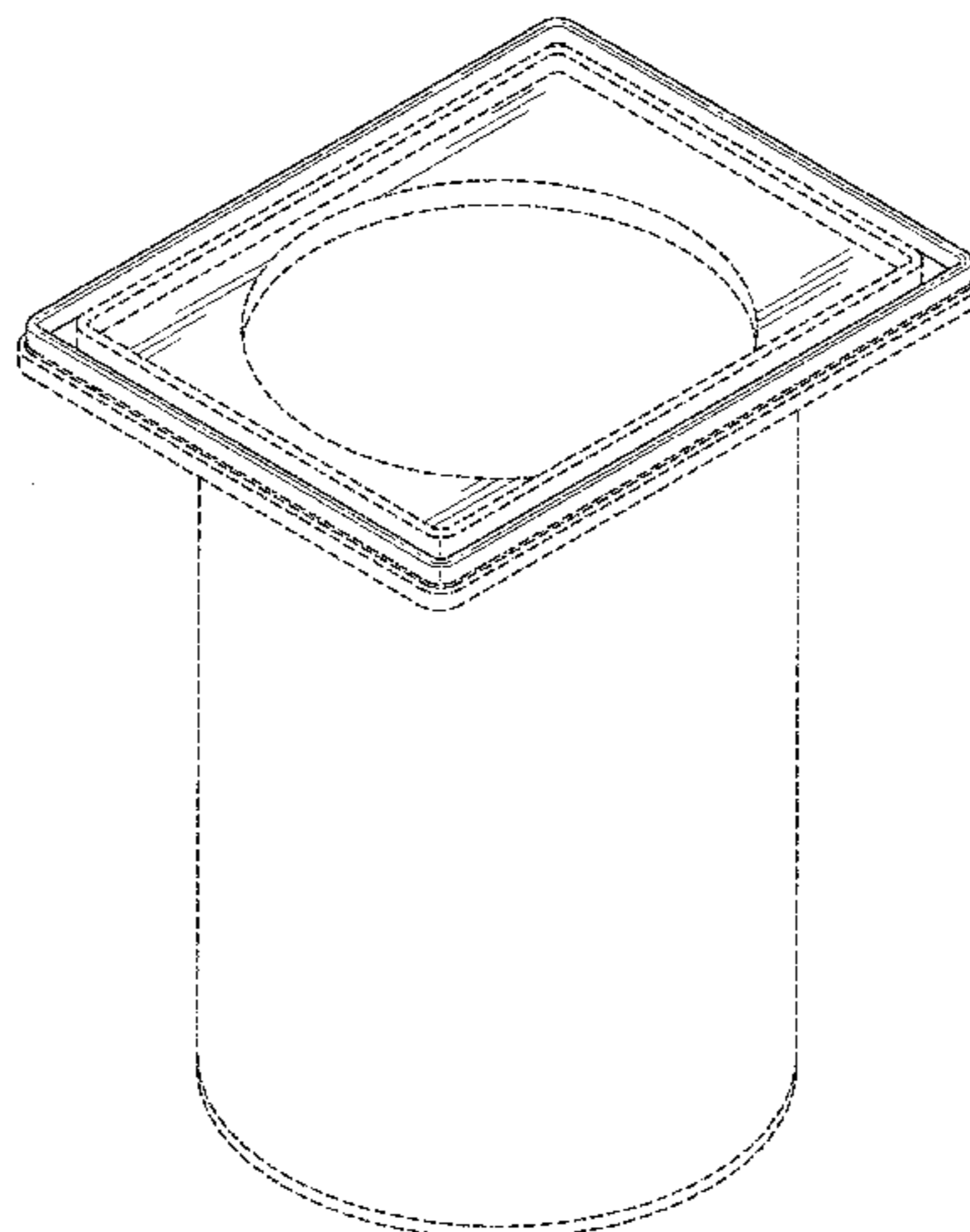
The broken lines immediately adjacent the shaded area represent unclaimed boundaries of the design while all other broken lines are for the purpose of illustrating environmental structure; the broken lines form no part of the claimed design.

(56) **References Cited**

U.S. PATENT DOCUMENTS

1,516,721 A 11/1924 Emery  
2,352,503 A 6/1944 Walton

**1 Claim, 4 Drawing Sheets**



(56)

References Cited

U.S. PATENT DOCUMENTS

3,508,383 A 4/1970 Humbert, Jr.  
 3,680,286 A 8/1972 Nostrand et al.  
 3,912,473 A 10/1975 Wilkins  
 3,951,626 A 4/1976 Carey  
 4,088,463 A 5/1978 Smith  
 4,138,234 A 2/1979 Kubesa  
 4,187,091 A 2/1980 Durre et al.  
 4,213,771 A 7/1980 Guibet  
 4,322,231 A 3/1982 Hilzendegeer et al.  
 4,704,144 A 11/1987 LeBlanc et al.  
 D294,167 S 2/1988 Meissner  
 4,725,292 A 2/1988 Williams  
 4,738,697 A 4/1988 Westergren  
 4,746,339 A 5/1988 Millard  
 4,900,342 A 2/1990 Spengler  
 5,013,333 A 5/1991 Beaufoy et al.  
 5,156,660 A 10/1992 Wilson  
 5,290,441 A 3/1994 Griffin et al.  
 D353,649 S 12/1994 Willinger et al.  
 5,688,298 A 11/1997 Bosses  
 D390,910 S 2/1998 Sundquist  
 5,746,792 A 5/1998 Clements et al.  
 5,746,796 A 5/1998 Ambs et al.  
 D398,046 S 9/1998 Gillingham et al.  
 5,803,954 A 9/1998 Gunter et al.  
 D403,418 S 12/1998 Brinkman et al.  
 5,855,634 A 1/1999 Berfield  
 5,895,510 A 4/1999 Butler et al.  
 5,961,696 A 10/1999 Gombos  
 5,972,059 A 10/1999 Morgan  
 5,989,421 A 11/1999 Davis et al.  
 D425,270 S 5/2000 Zahuranec  
 6,110,248 A 8/2000 Liu  
 6,203,591 B1 3/2001 Clements et al.  
 6,214,216 B1 4/2001 Isaacson  
 6,245,130 B1 6/2001 Maybee et al.  
 D445,974 S 7/2001 Stratford  
 6,358,292 B1 3/2002 Clements  
 6,440,188 B1 8/2002 Clements et al.  
 6,569,219 B1 5/2003 Connor et al.  
 D476,725 S 7/2003 Dushek et al.  
 6,613,115 B2 9/2003 Moore  
 6,660,053 B2 12/2003 Oh et al.  
 6,676,721 B1 1/2004 Gillingham et al.  
 6,757,933 B2 7/2004 Oh et al.  
 6,808,547 B2 10/2004 Ota et al.  
 7,135,051 B2 11/2006 Baldinger et al.  
 D535,373 S 1/2007 Chung  
 7,186,333 B2 3/2007 Kluge  
 D545,955 S 7/2007 Arias  
 7,247,183 B2 7/2007 Connor et al.  
 7,323,029 B2 1/2008 Engelland et al.  
 7,332,005 B2 2/2008 Wegelin  
 7,341,613 B2 3/2008 Kirsch  
 7,374,595 B2 5/2008 Gierer  
 7,448,112 B2 11/2008 Li  
 7,524,349 B2 4/2009 Schrage et al.  
 7,662,200 B2 2/2010 Knuth et al.  
 D621,915 S 8/2010 Fima  
 D646,369 S 10/2011 Nelson et al.  
 8,157,878 B2 4/2012 Weber et al.  
 D690,408 S 9/2013 Williams et al.  
 D692,543 S 10/2013 Gorman et al.  
 D694,871 S 12/2013 Maholick et al.  
 8,673,037 B2 3/2014 Morgan et al.  
 D716,429 S 10/2014 Carter et al.  
 D716,430 S 10/2014 Carter et al.  
 D716,431 S 10/2014 Carter et al.  
 D717,420 S 11/2014 Von Seggern  
 D717,933 S 11/2014 McClelland et al.  
 D739,513 S 9/2015 Williams et al.  
 9,174,155 B2 11/2015 Morgan et al.  
 D751,185 S 3/2016 Harris  
 D751,686 S 3/2016 Harris  
 D770,026 S 10/2016 Morgan et al.

D804,005 S \* 11/2017 Spear ..... D23/365  
 D827,118 S \* 8/2018 Stanhope ..... D23/365  
 D831,812 S \* 10/2018 Stanhope ..... D23/365  
 D835,767 S \* 12/2018 Williams ..... D23/365  
 2002/0020160 A1 2/2002 Moore  
 2005/0126137 A1 6/2005 Wang  
 2007/0084170 A1 4/2007 Ehrenberg  
 2007/0175191 A1 8/2007 Ziebold et al.  
 2008/0092501 A1 4/2008 Sporre et al.  
 2008/0127825 A1 6/2008 Raether  
 2010/0037570 A1 2/2010 Osendorf et al.  
 2010/0263344 A1 10/2010 Haynam et al.  
 2011/0185689 A1 8/2011 Raether et al.  
 2015/0314227 A1 11/2015 Williams et al.  
 2016/0045848 A1 2/2016 Campbell et al.  
 2016/0059169 A1 3/2016 Cheng  
 2016/0059174 A1 3/2016 Hasenfratz et al.

FOREIGN PATENT DOCUMENTS

EP 1889648 A2 2/2008  
 EP 2918939 A1 9/2015  
 GB 1516721 A 7/1978  
 WO 9519829 A1 7/1995  
 WO 2007097973 A1 8/2007  
 WO 2009/061998 A1 5/2009  
 WO 2011/069508 A1 6/2011

OTHER PUBLICATIONS

HemiPleat.TM. Tenkay.RTM. Cartridge for Tenkay Mark III and IV Collectors Data Sheet—FARR Air Pollution Control, FARR APC, Dec. 2005.  
 Partial Supplemental European Search Report, EP Application No. 12842366.2, Publication 2768599, dated May 8, 2015.  
 PCT international search report and written opinion of PCT/US2012/051584 dated Jan. 22, 2013.  
 Prosecution history of U.S. Appl. No. 13/275,832 as of Mar. 10, 2014.  
 Office Action with Search Report, CN Application No. 201280062561.3, Feb. 2, 2015.  
 Extended European Search Report, EP Application No. 12842366.2, dated Nov. 12, 2015 (10 pgs.).  
 Third Amended Complaint for Patent Infringement. *Camfil Usa, Inc. v. Imperial Systems Inc. and Clark Filter, Inc.* United States District Court for the Eastern District of Texas, Marshall Division, Civil Action No. 2:15-cv-1755, filed Jul. 4, 2017 (61 pages).  
 Defendant Clark Filter, Inc.'s Amended Answer, Affirmative Defenses and Counterclaim. *Camfil Usa, Inc. v. Imperial Systems Inc. and Clark Filter, Inc.* United States District Court for the Eastern District of Texas, Marshall Division, Civil Action No. 2:15-cv-1755, filed Jul. 31, 2017 (9 pages).  
 Defendant Imperial Systems, Inc.'s Answer, Affirmative Defenses and Counterclaim. *Camfil Usa, Inc. v. Imperial Systems Inc. and Clark Filter, Inc.* United States District Court for the Eastern District of Texas, Marshall Division, Civil Action No. 2:15-cv-1755, filed Aug. 1, 2017 (12 pages).  
 Camfil USA's Reply Claim Construction Brief. *Camfil Usa, Inc. v. Imperial Systems Inc. and Clark Filter, Inc.* United States District Court for the Eastern District of Texas, Marshall Division, Civil Action No. 2:15-cv-1755, filed Aug. 29, 2017 (13 pages).  
 Camfil USA's Opening Claim Construction Brief and Exhibits A-M. *Camfil Usa, Inc. v. Imperial Systems Inc. and Clark Filter, Inc.* United States District Court for the Eastern District of Texas, Marshall Division, Civil Action No. 2:15-cv-1755, filed Aug. 8, 2017 (865 pages).  
 Defendant's Claim Construction Brief, Exhibits A-C, and Declaration of Mark Strachan in support of Defendant's Claim Construction Brief. *Camfil Usa, Inc. v. Imperial Systems Inc. and Clark Filter, Inc.* United States District Court for the Eastern District of Texas, Marshall Division, Civil Action No. 2:15-cv-1755, filed Aug. 22, 2017 (84 pages).  
 Office Action from Canadian Patent Application No. 2,850,414 dated May 15, 2019.



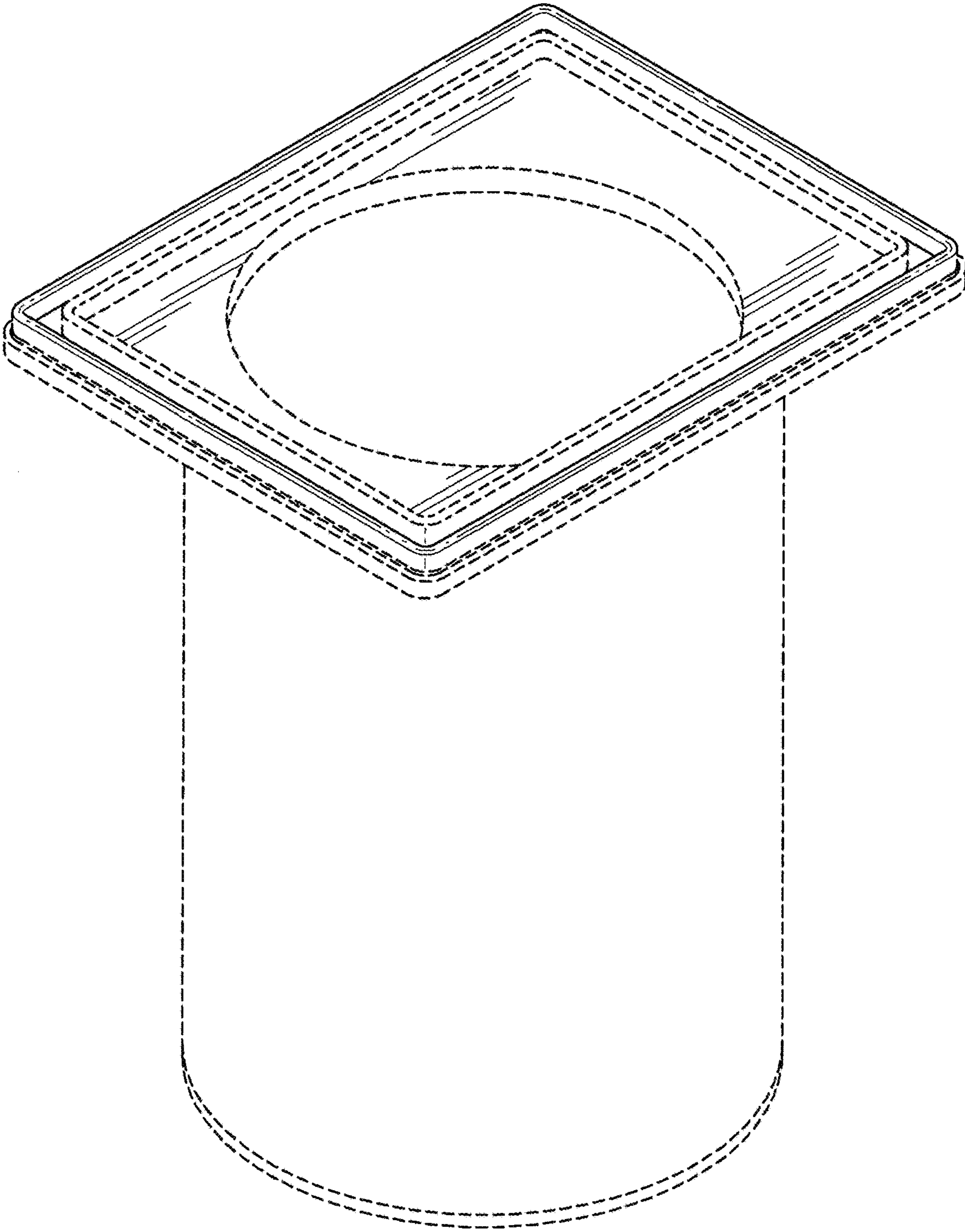
(56)

**References Cited**

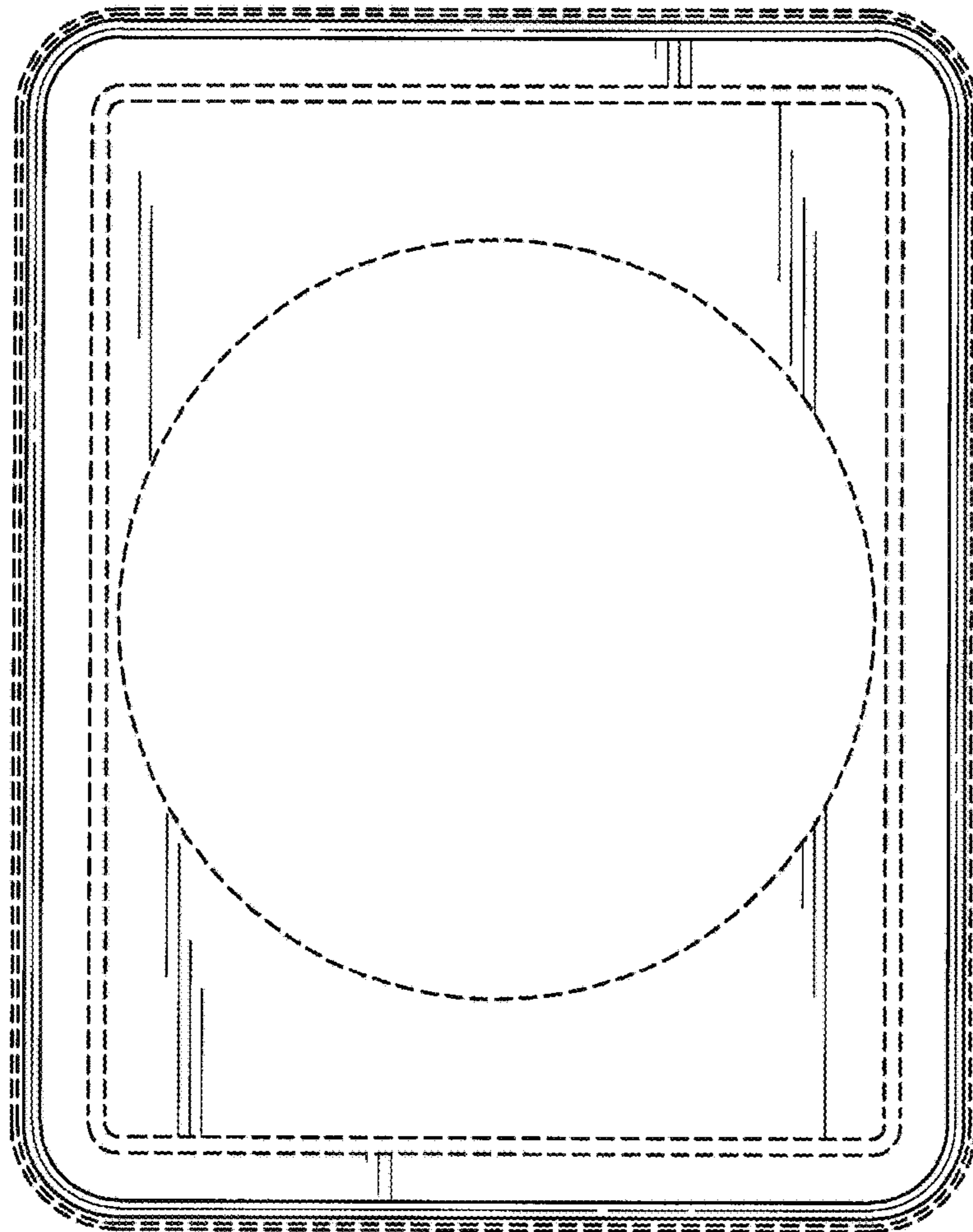
OTHER PUBLICATIONS

Office Action from European Patent Application No. 12842366.2  
dated May 2, 2019.

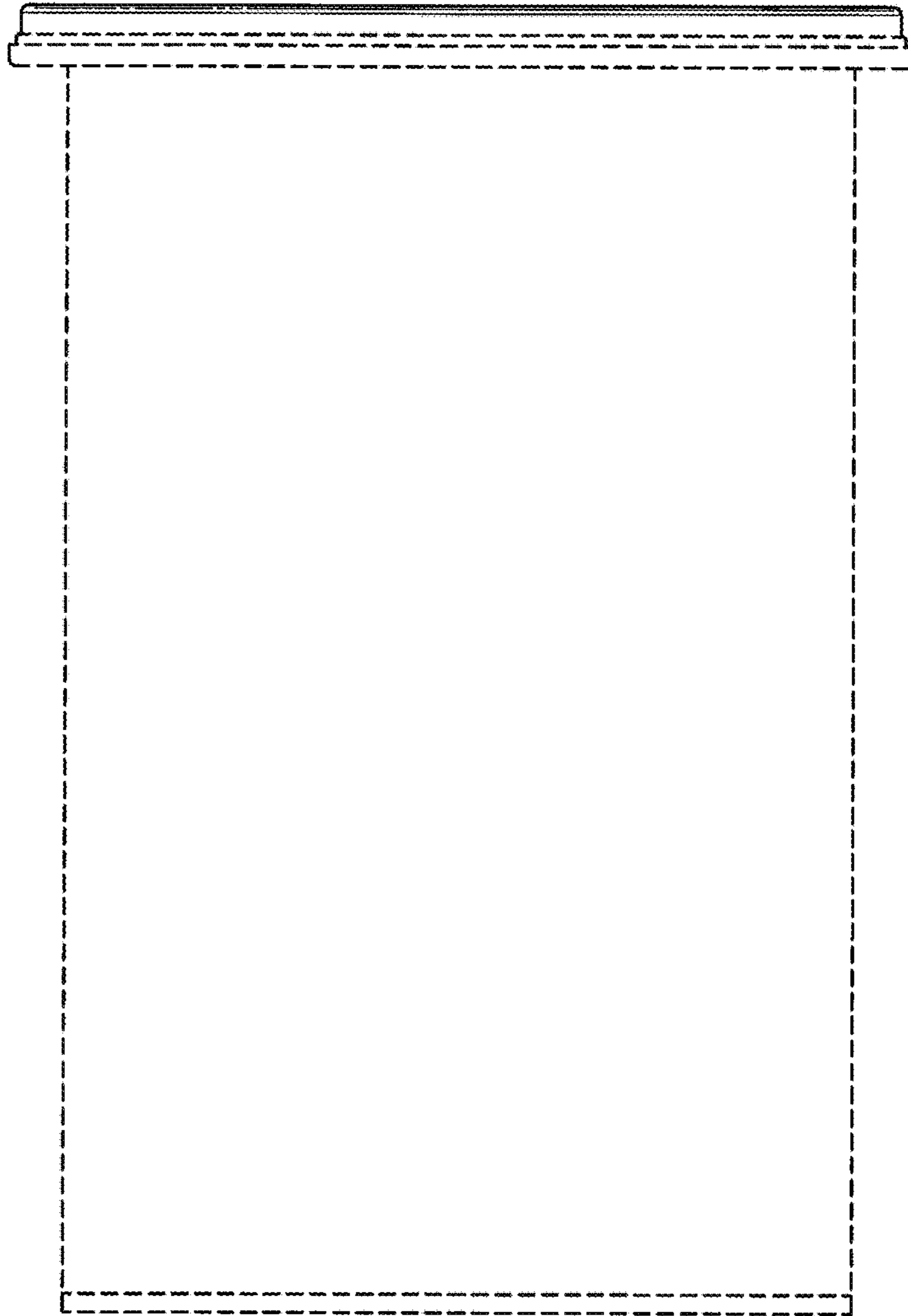
\* cited by examiner



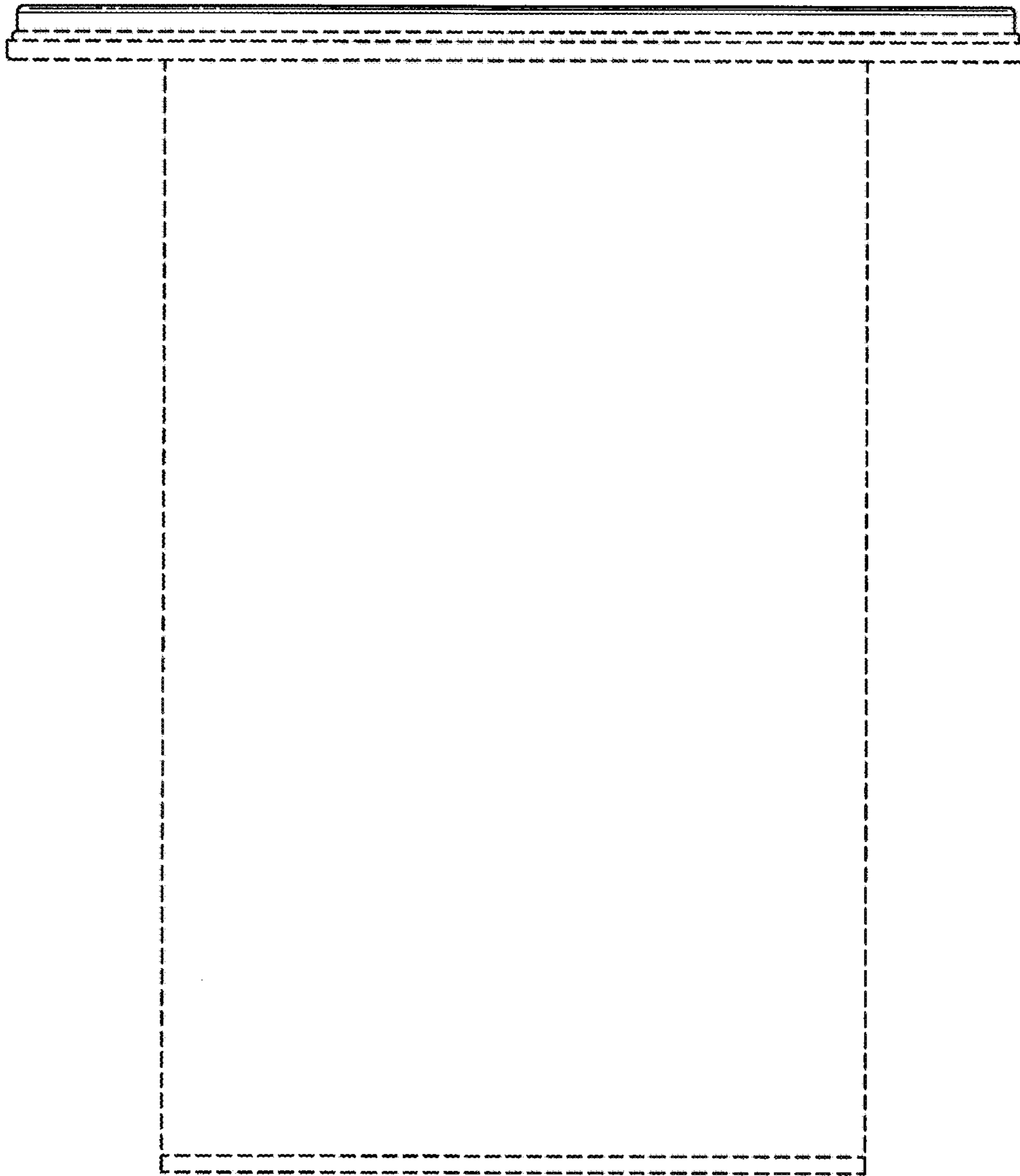
*Fig. 1*



*Fig. 2*



*Fig. 3*



*Fig. 4*