



US00D866738S

(12) **United States Design Patent**
Cui

(10) **Patent No.:** **US D866,738 S**

(45) **Date of Patent:** **** Nov. 12, 2019**

(54) **DEHUMIDIFIER**

(71) Applicant: **FOSHAN NAIBAO ELECTRIC CO., LTD.**, Guangdong (CN)

(72) Inventor: **Jiayao Cui**, Guangdong (CN)

(73) Assignee: **FOSHAN NAIBAO ELECTRIC CO., LTD.**, Guangdong (CN)

(**) Term: **15 Years**

(21) Appl. No.: **29/633,527**

(22) Filed: **Jan. 15, 2018**

(30) **Foreign Application Priority Data**

Aug. 30, 2017 (CN) 2017 3 0405818

(51) **LOC (12) Cl.** **23-04**

(52) **U.S. Cl.**
USPC **D23/359**

(58) **Field of Classification Search**

USPC D23/355-366, 352, 369, 332, 333, 335,
D23/336, 342, 351; 422/120, 122;
55/356, 473, 504; 96/97; D14/188, 170,
D14/172; 261/DIG. 17; D18/34.6
CPC .. A61L 9/16; A61L 9/22; B01D 47/00; B01D
47/027; B01D 2221/02; B01D 2259/4508;
B03C 3/155; B03C 3/368; F24F 3/16;
F24F 13/20; F24F 13/28; F24F
2001/0096

See application file for complete search history.

(56) **References Cited**

U.S. PATENT DOCUMENTS

D325,252 S * 4/1992 Morris D23/364
D445,116 S * 7/2001 Evans D15/79

6,680,028 B1 * 1/2004 Harris A61L 9/16
422/122
D508,735 S * 8/2005 Klein D23/359
D556,250 S * 11/2007 Kent D18/34.6
D634,414 S * 3/2011 Wolfe D23/359
D678,494 S * 3/2013 Wolfe D23/359
D680,636 S * 4/2013 Ching D23/356
8,430,941 B2 * 4/2013 Haynam B01D 46/0005
15/320
D731,632 S * 6/2015 Kulp D23/359
D769,432 S * 10/2016 Dingle D23/359
D769,433 S * 10/2016 Dingle D23/359
2012/0275953 A1 * 11/2012 Lukasik A61L 2/208
422/28

* cited by examiner

Primary Examiner — David G Muller

Assistant Examiner — Nathan M Johnston

(74) *Attorney, Agent, or Firm* — JCIPRNET

(57) **CLAIM**

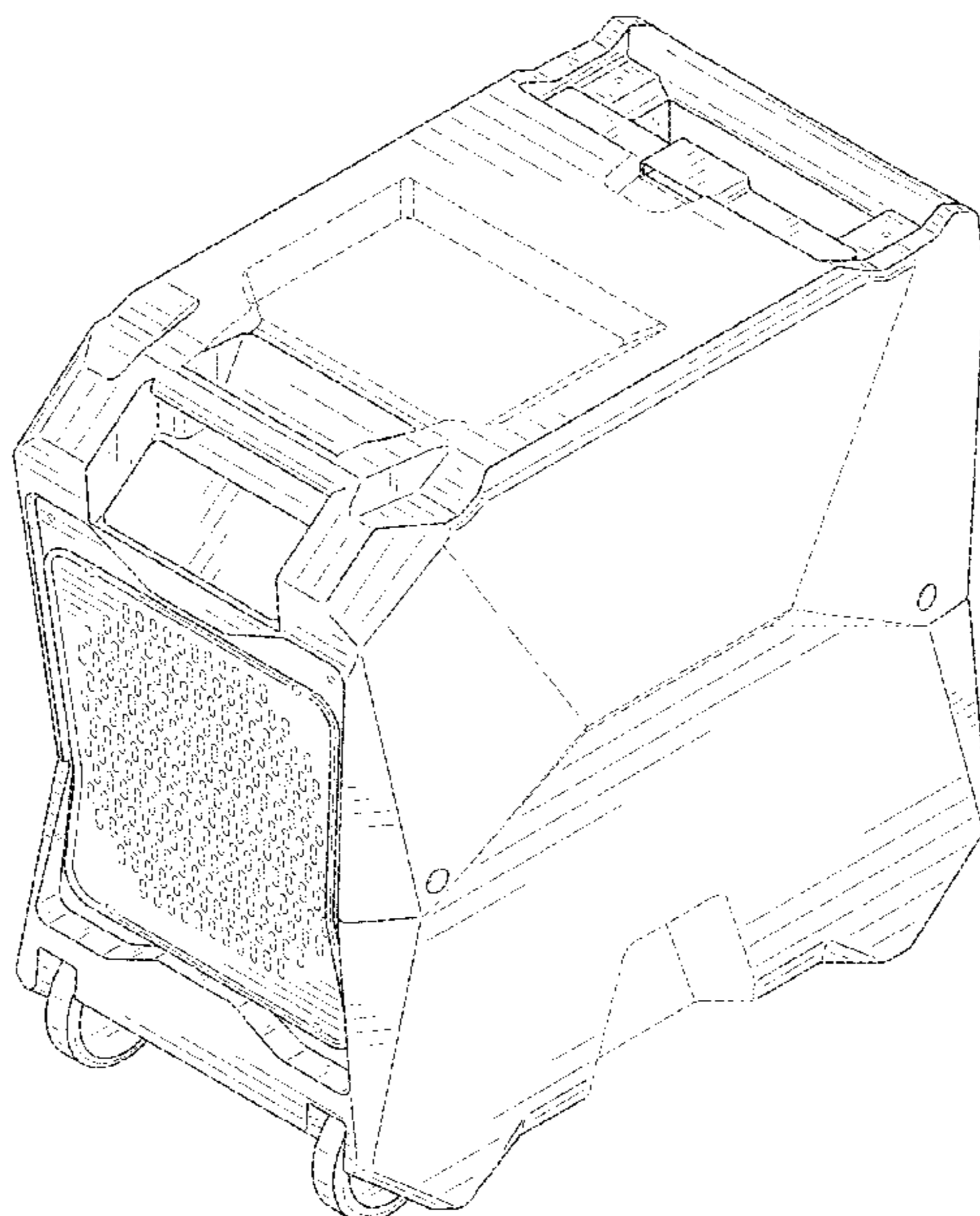
The ornamental design for a dehumidifier, as shown and described.

DESCRIPTION

FIG. 1 is a perspective view of a dehumidifier showing my new design;
FIG. 2 is another perspective view thereof;
FIG. 3 is a front view thereof;
FIG. 4 is a rear view thereof;
FIG. 5 is a left side view thereof;
FIG. 6 is a right side view thereof;
FIG. 7 is a top view thereof; and,
FIG. 8 is a bottom view thereof.

The broken line portions of the dehumidifier in FIGS. 1-8 represent unclaimed portions of the claimed design and form no part thereof.

1 Claim, 8 Drawing Sheets



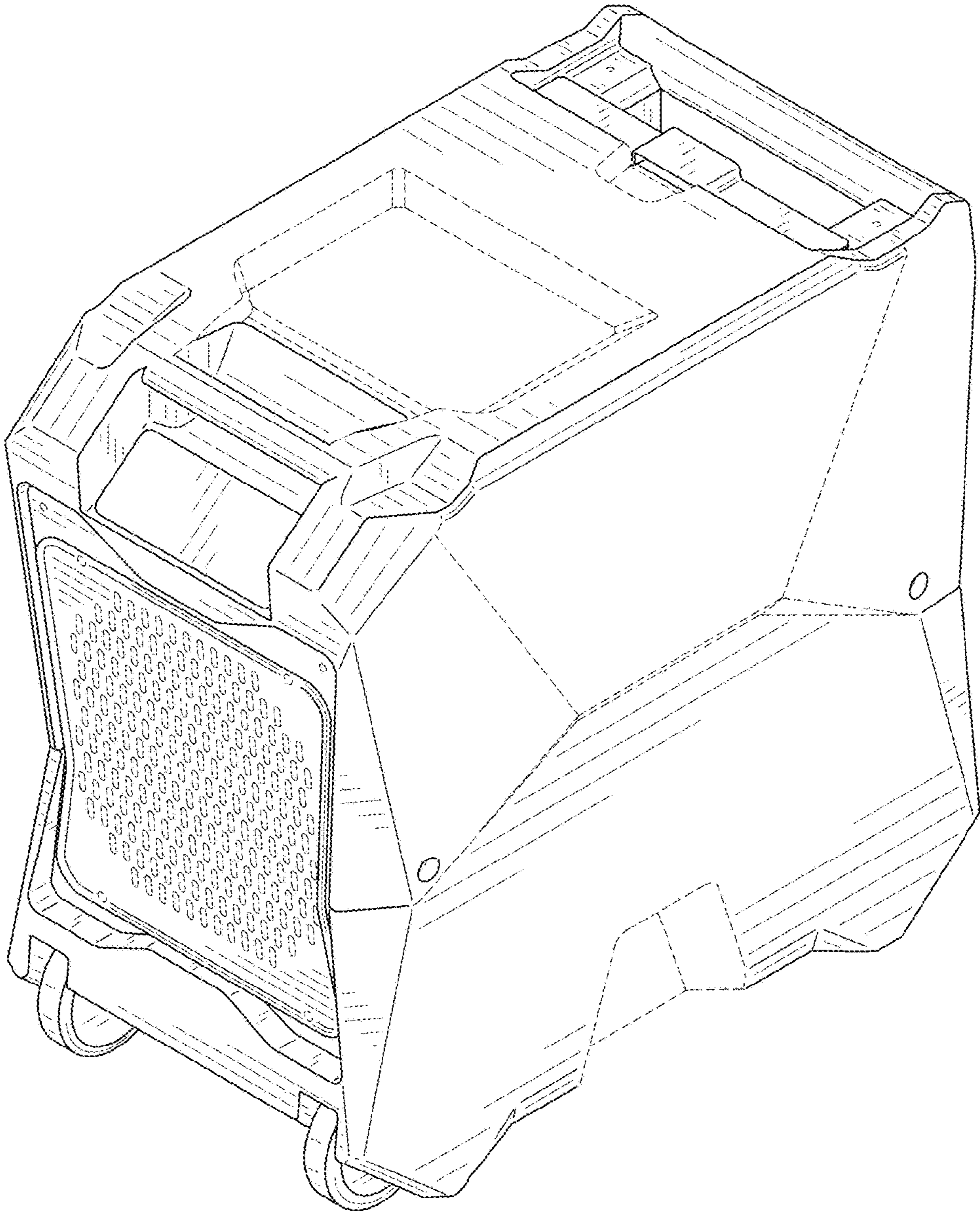


FIG. 1

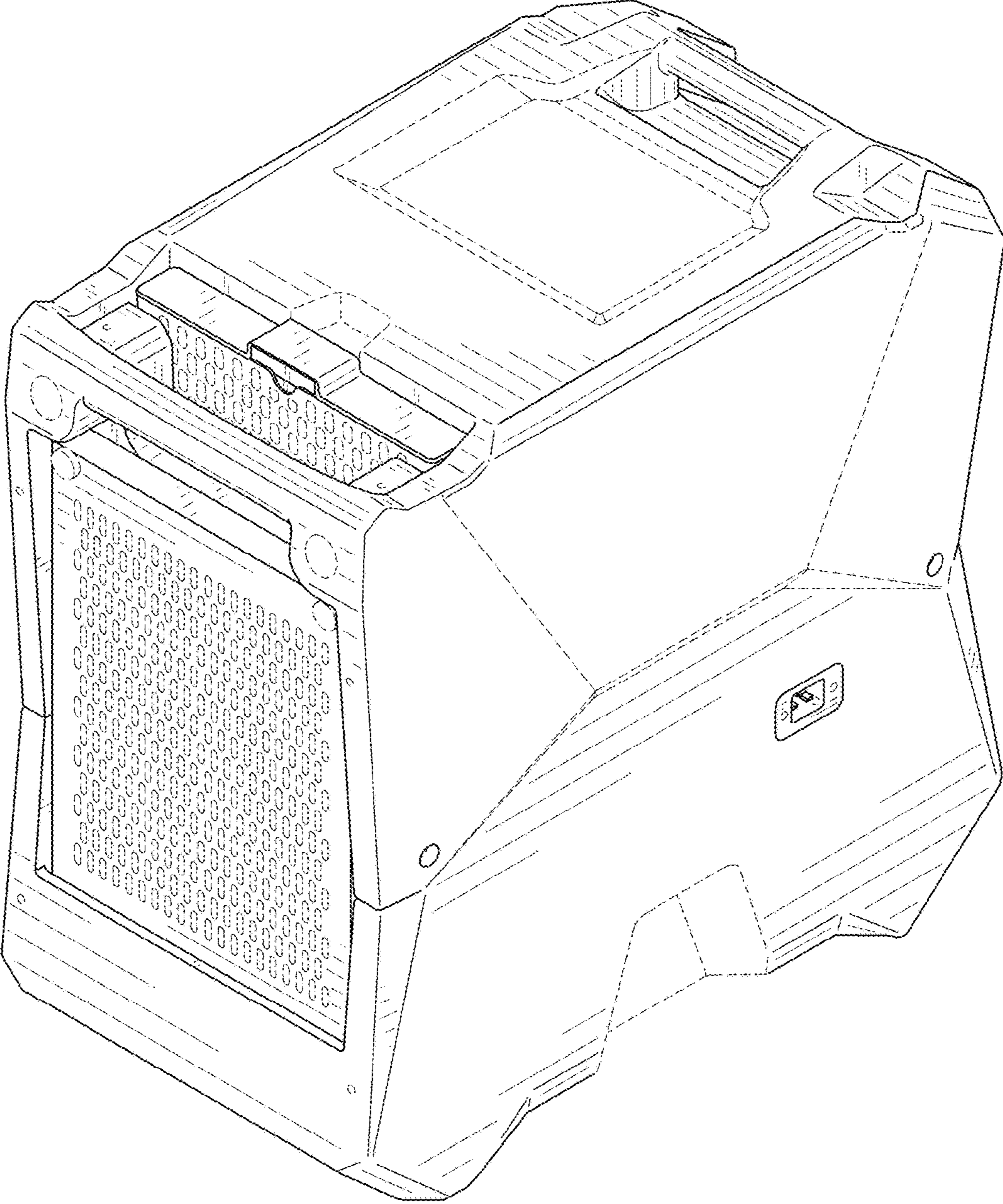


FIG. 2

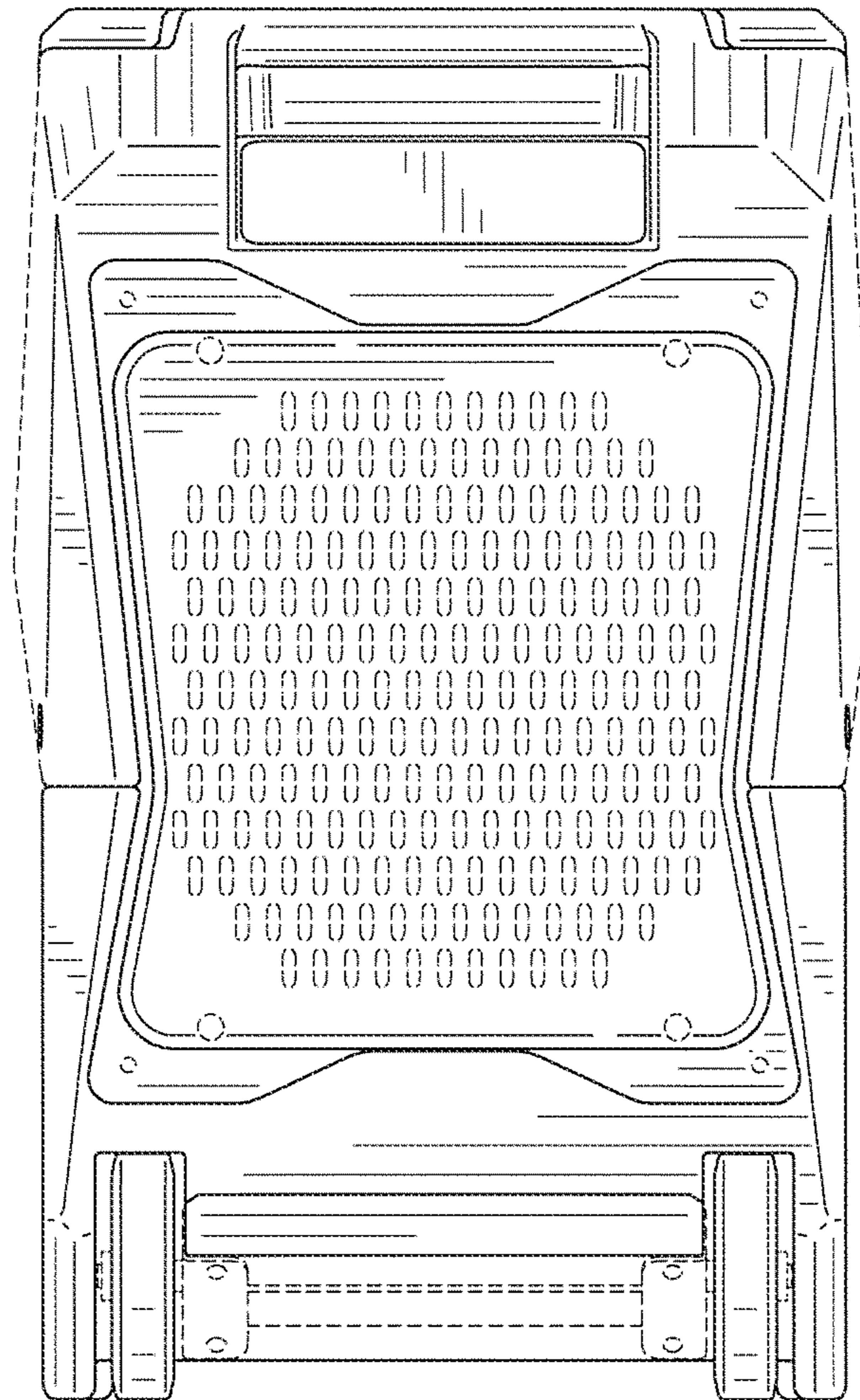


FIG. 3

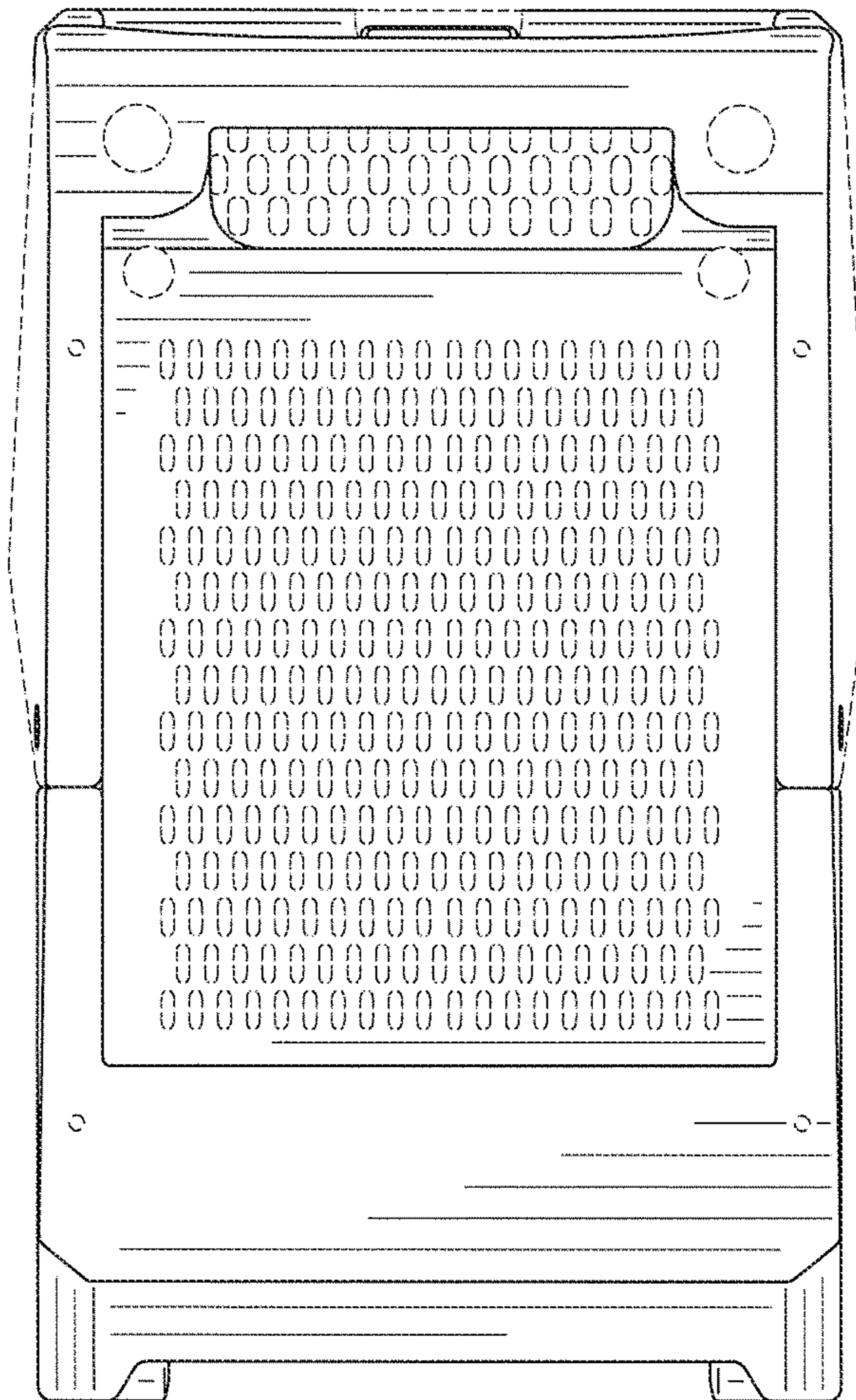


FIG. 4

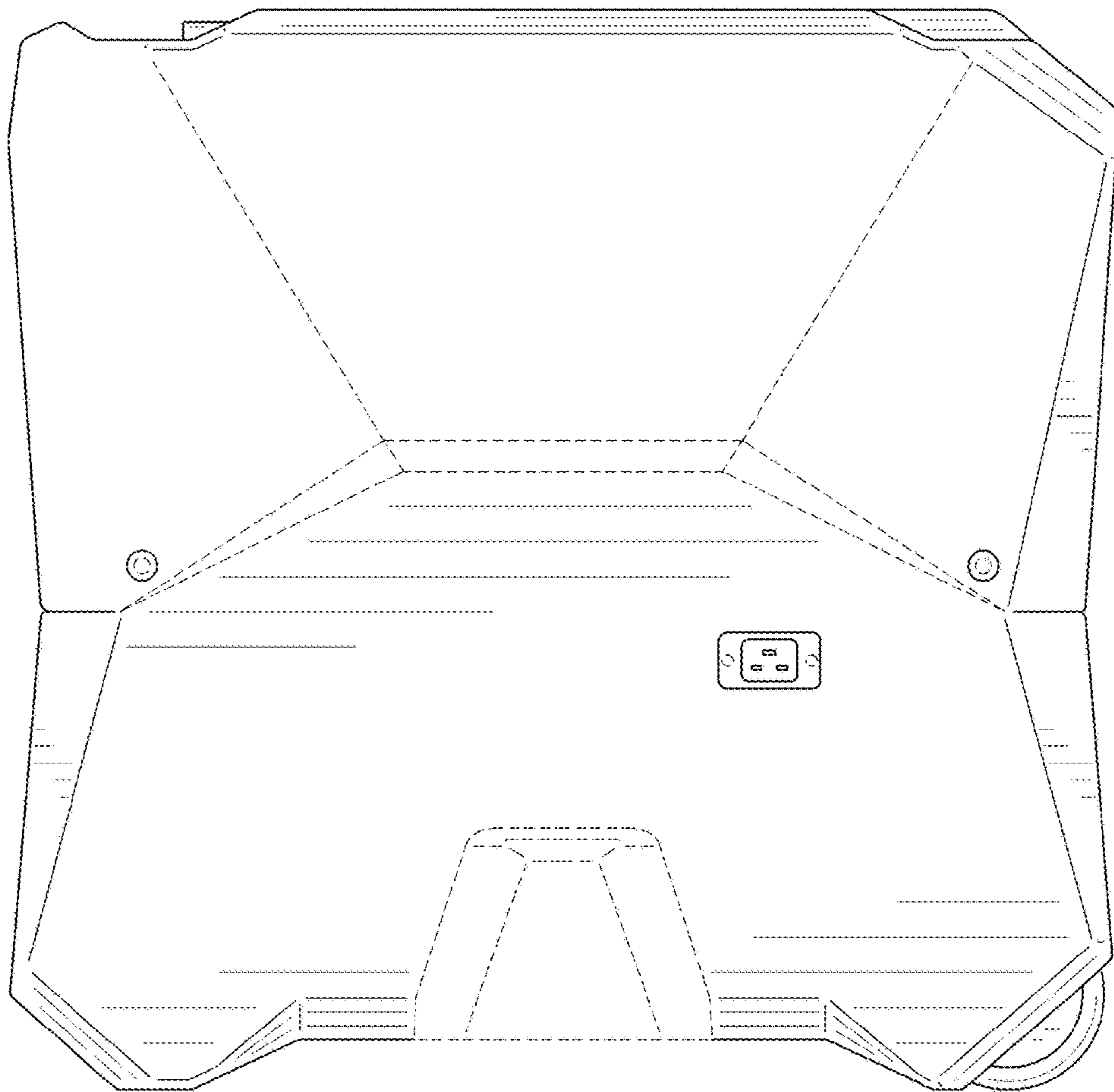


FIG. 5

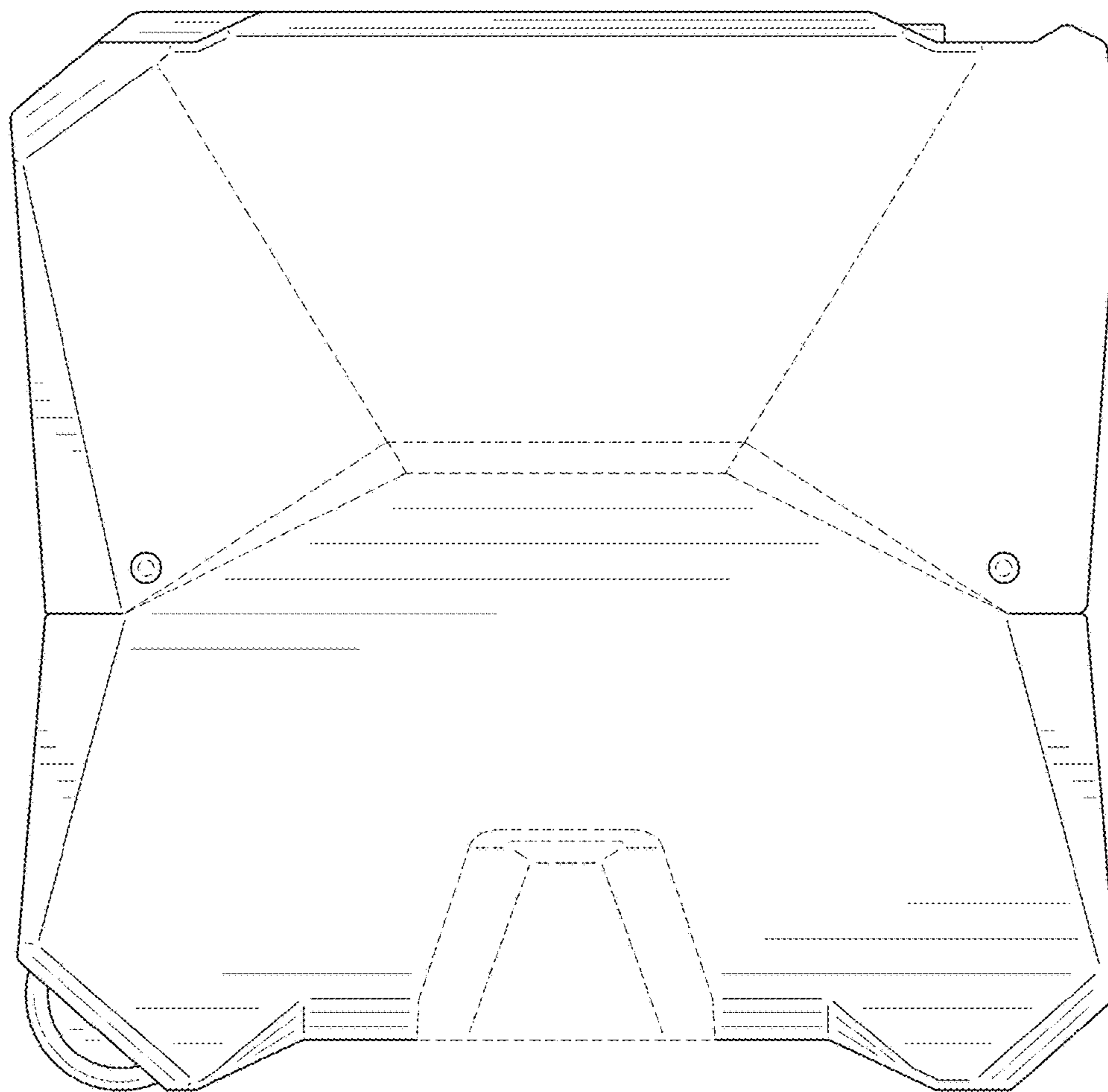


FIG. 6

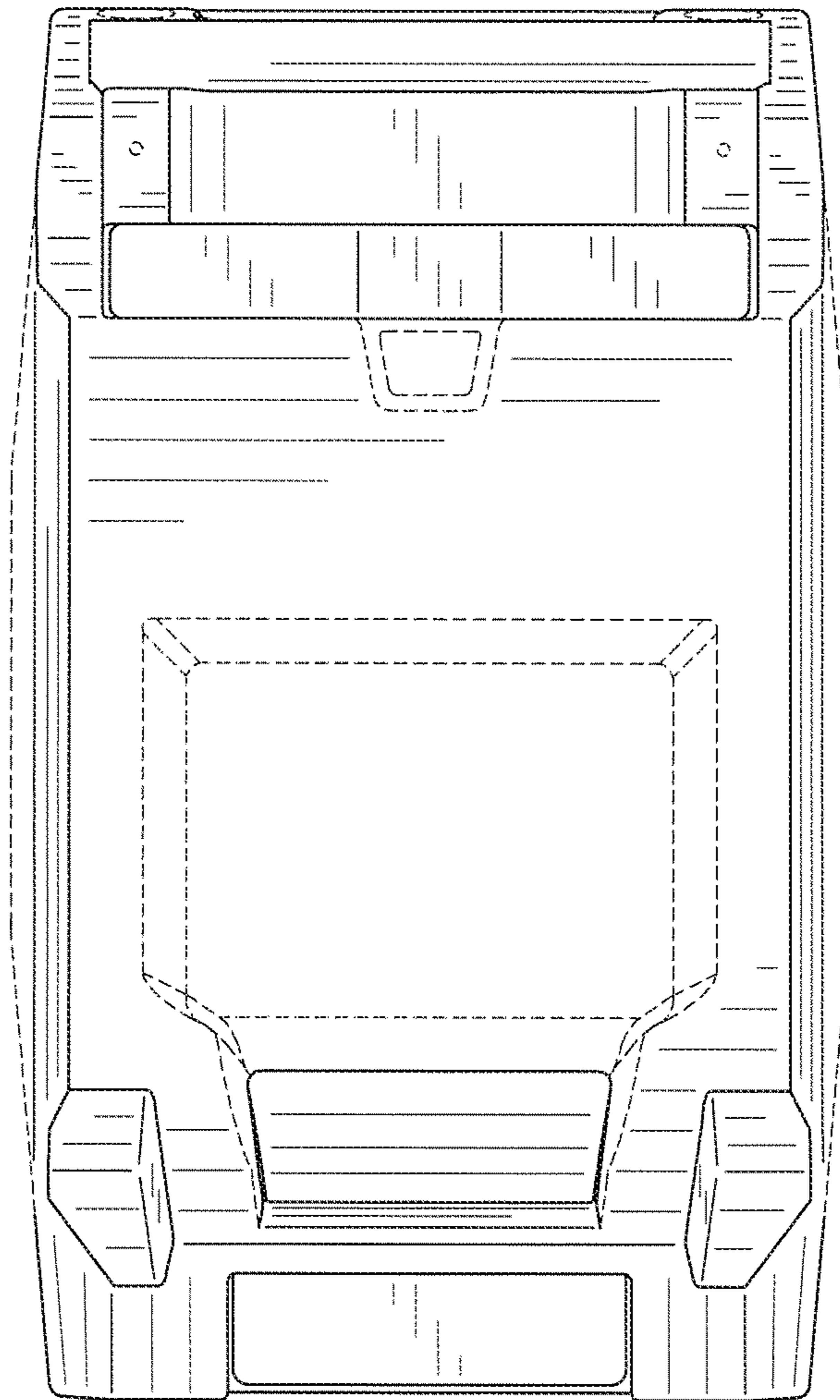


FIG. 7

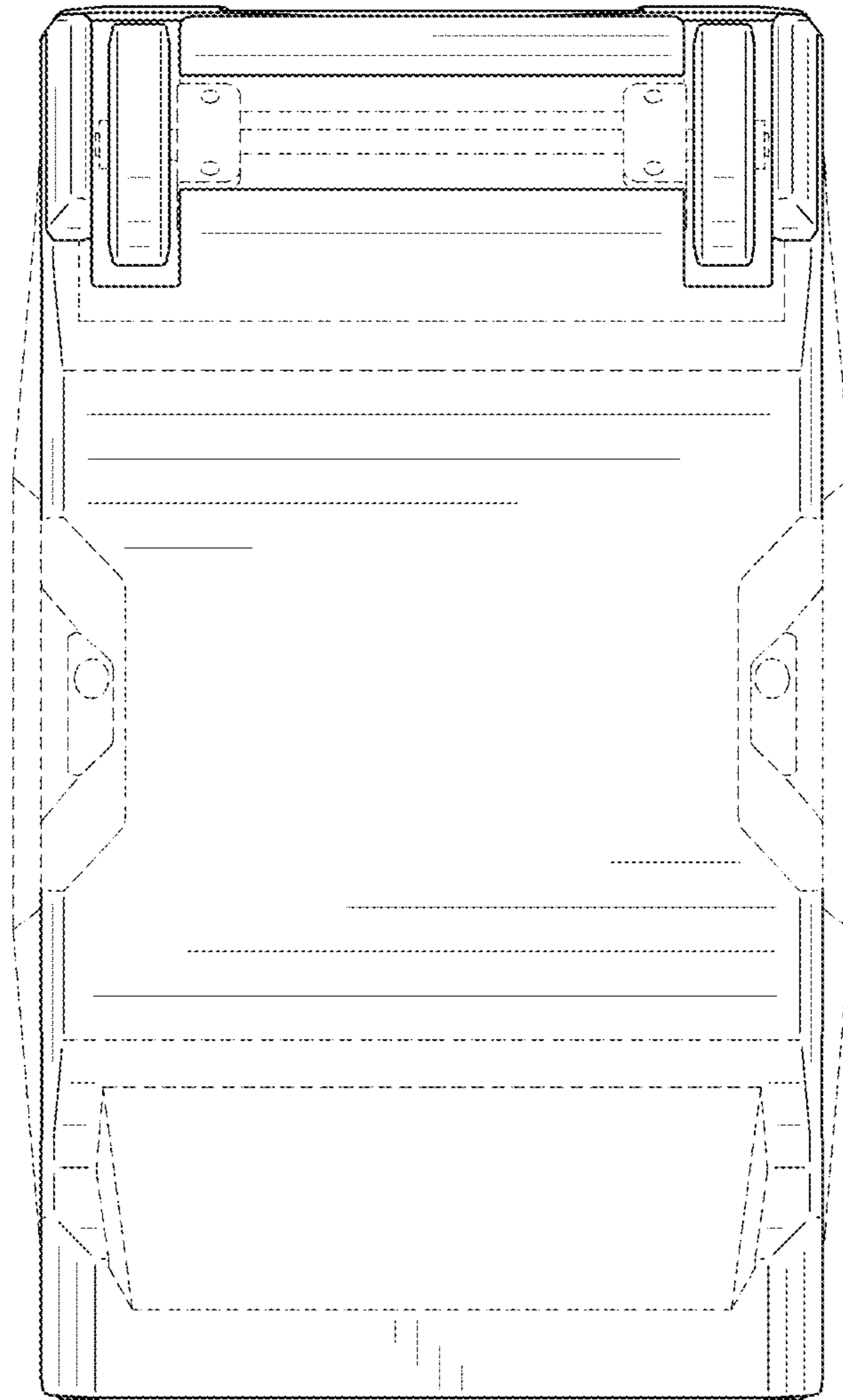


FIG. 8