



US00D866734S

(12) **United States Design Patent** (10) **Patent No.:** **US D866,734 S**
Bryant et al. (45) **Date of Patent:** **** Nov. 12, 2019**

(54) **WALL MOUNTED WATER HEATER**

(71) Applicant: **BDR Thermea Group B.V.**, Apeldoorn (NL)

(72) Inventors: **Simon Daniel Bryant**, Norwich (GB); **Matthew Robert Broughton**, Norwich (GB); **Paulo Jorge Gomes Gois**, Norwich (GB)

(73) Assignee: **BDR THERMEA GROUP B.V.**, Apeldoorn (NL)

(**) Term: **15 Years**

(21) Appl. No.: **29/643,577**

(22) Filed: **Apr. 10, 2018**

(30) **Foreign Application Priority Data**

Dec. 21, 2017 (GB) 6024089
Dec. 21, 2017 (GB) 6024090

(51) **LOC (12) Cl.** **23-03**

(52) **U.S. Cl.**
USPC **D23/318**

(58) **Field of Classification Search**
USPC D23/318, 319, 320, 321, 322, 314, 317, D23/329, 330, 342; D13/184
CPC F24H 9/06; F24H 9/2035; F24H 1/125; F24H 1/145; F24H 1/186; F24H 9/124; F24H 9/2078; F24H 9/2007; F24H 1/08; F24H 1/10; F24H 1/12; F24H 1/18; F24H 1/22; F24H 1/50; F24H 1/182
See application file for complete search history.

(56) **References Cited**

U.S. PATENT DOCUMENTS

D356,861 S * 3/1995 Busalt D23/318
5,419,308 A * 5/1995 Lee F24H 9/2035
122/14.21

D532,497 S * 11/2006 Engel D23/318
D683,001 S * 5/2013 Lee D23/320
D844,123 S * 3/2019 Schumann D23/318
2008/0135636 A1 * 6/2008 Sakai F24D 11/0214
237/2 B
2012/0275775 A1 * 11/2012 Iskrenovic F24H 1/142
392/483

(Continued)

Primary Examiner — Michelle E. Wilson

Assistant Examiner — Ania Aman

(74) *Attorney, Agent, or Firm* — Brinks Gilson & Lione; John C. Freeman

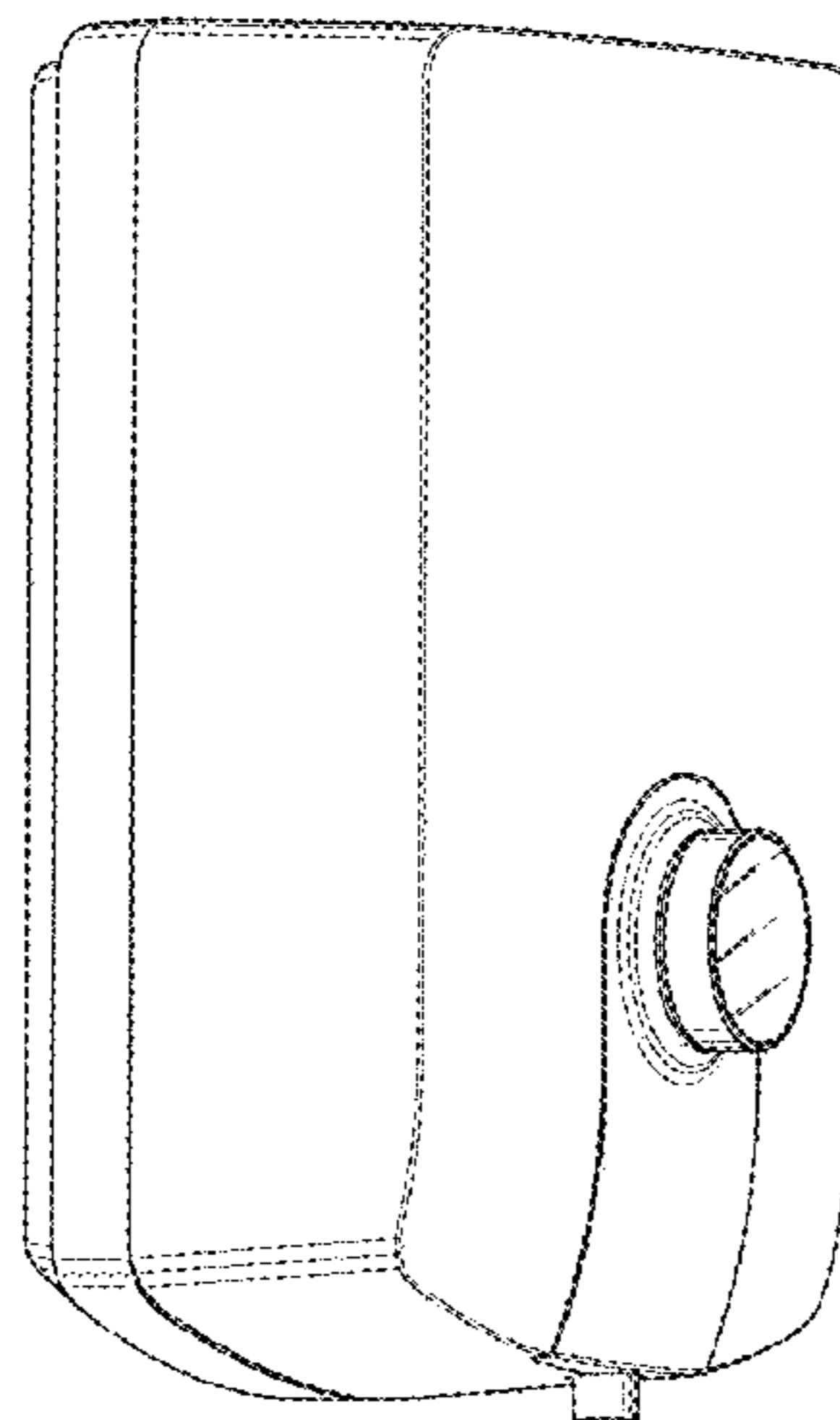
(57) **CLAIM**

The ornamental design for a wall mounted water heater, as shown and described.

DESCRIPTION

FIG. 1 is a front perspective view of one embodiment of a wall mounted water heater according to the present invention;
FIG. 2 is a front view;
FIG. 3 is a rear view;
FIG. 4 is a first side view;
FIG. 5 is a second side view;
FIG. 6 is top view;
FIG. 7 is a bottom view;
FIG. 8 is a front perspective view of another embodiment of a wall mounted water heater according to the present invention;
FIG. 9 is a front view;
FIG. 10 is a rear view;
FIG. 11 is a first side view;
FIG. 12 is a second side view;
FIG. 13 is top view; and,
FIG. 14 is a bottom view.
The broken lines shown in the drawings represent unclaimed portions and form no part of the claimed design.

1 Claim, 12 Drawing Sheets



(56)

References Cited

U.S. PATENT DOCUMENTS

2014/0014312 A1* 1/2014 Chu F24H 9/2007
165/267
2016/0178234 A1* 6/2016 Hayden F24H 1/0018
392/486
2017/0248343 A1* 8/2017 Hou F24H 1/182
2018/0058720 A1* 3/2018 Ando F24H 9/0005
2018/0188751 A1* 7/2018 Tang F24H 9/2007
2019/0137189 A1* 5/2019 Teng F28F 9/0273
2019/0162443 A1* 5/2019 Stegemeyer F24H 3/0488

* cited by examiner

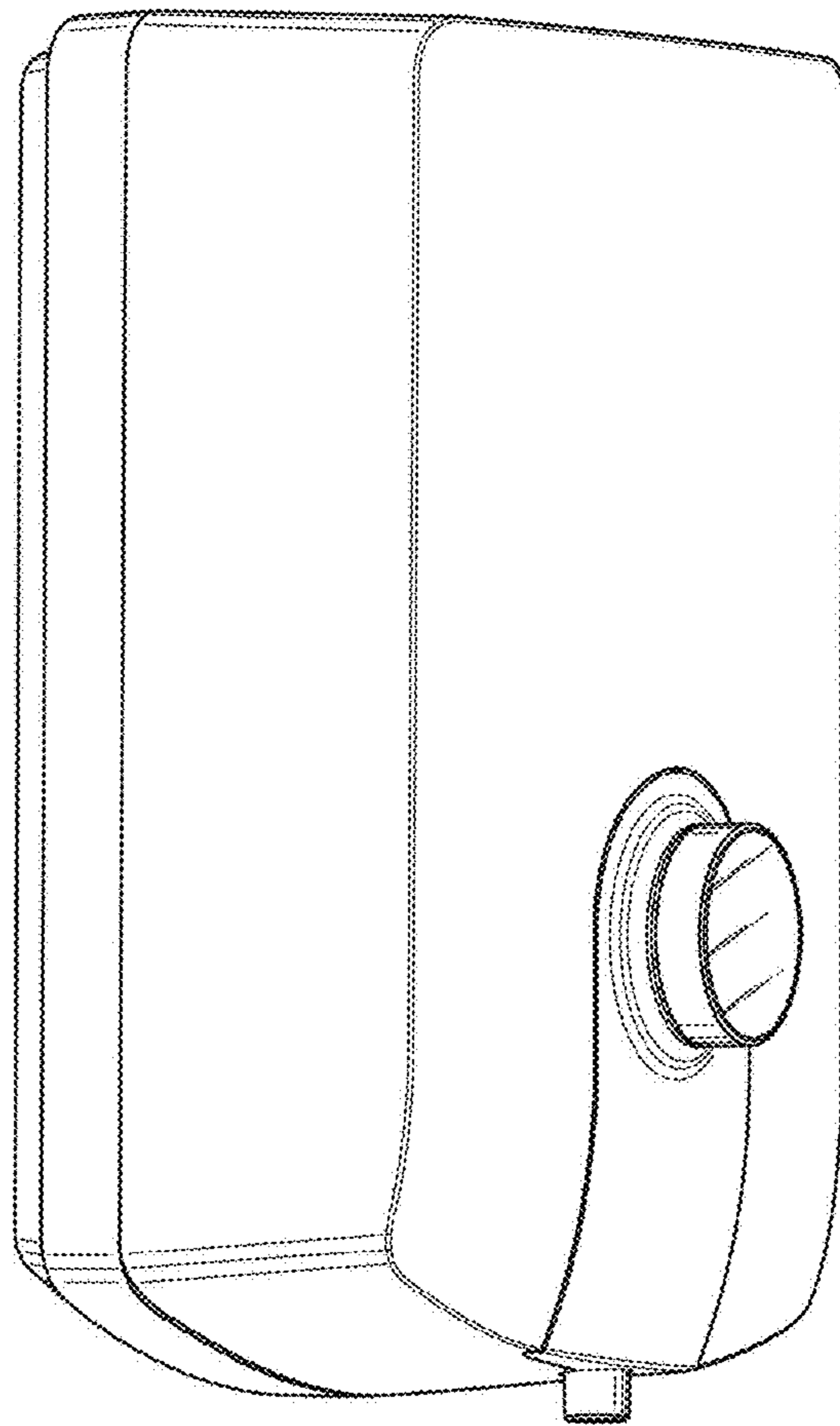


Fig. 1

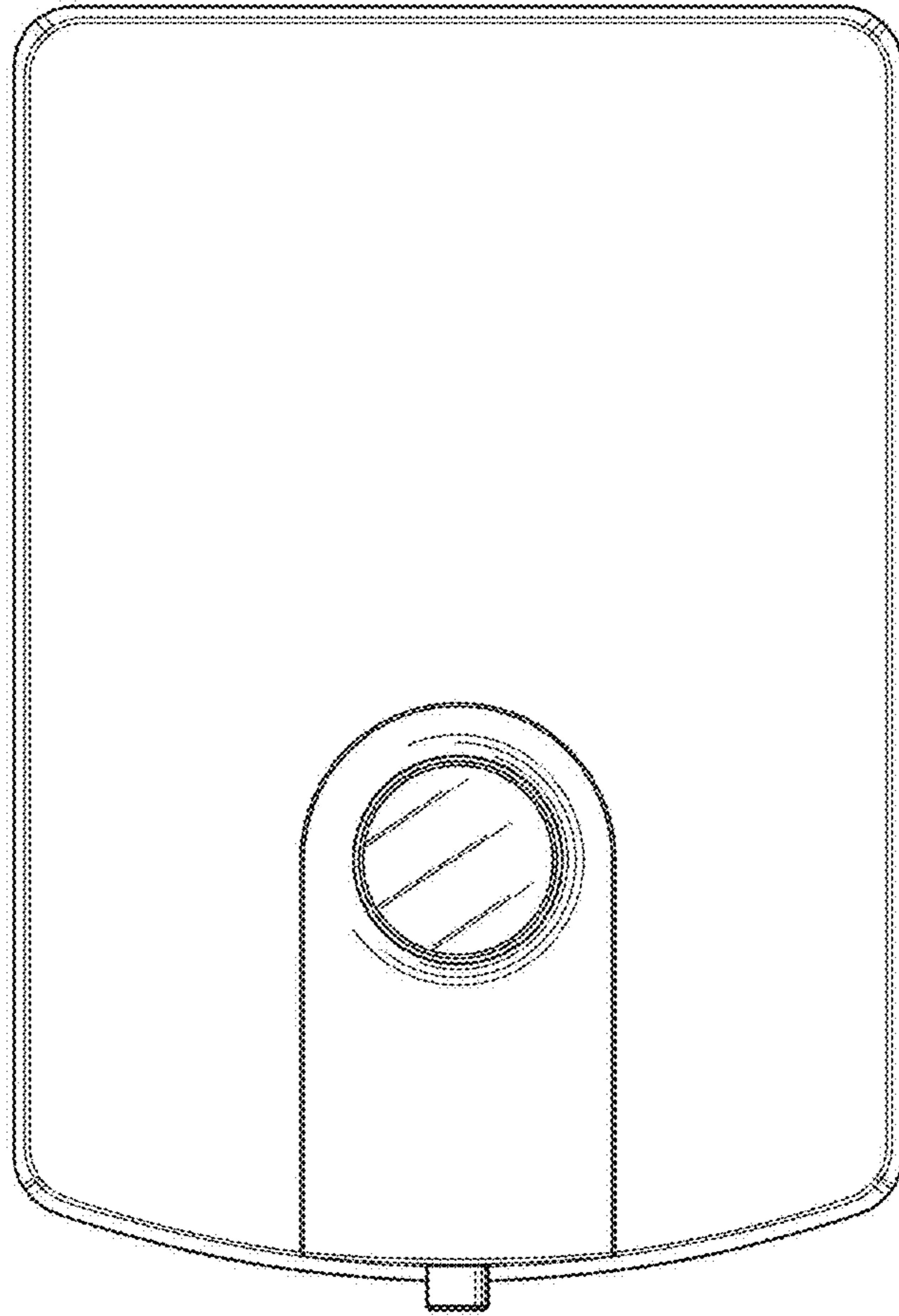


Fig. 2

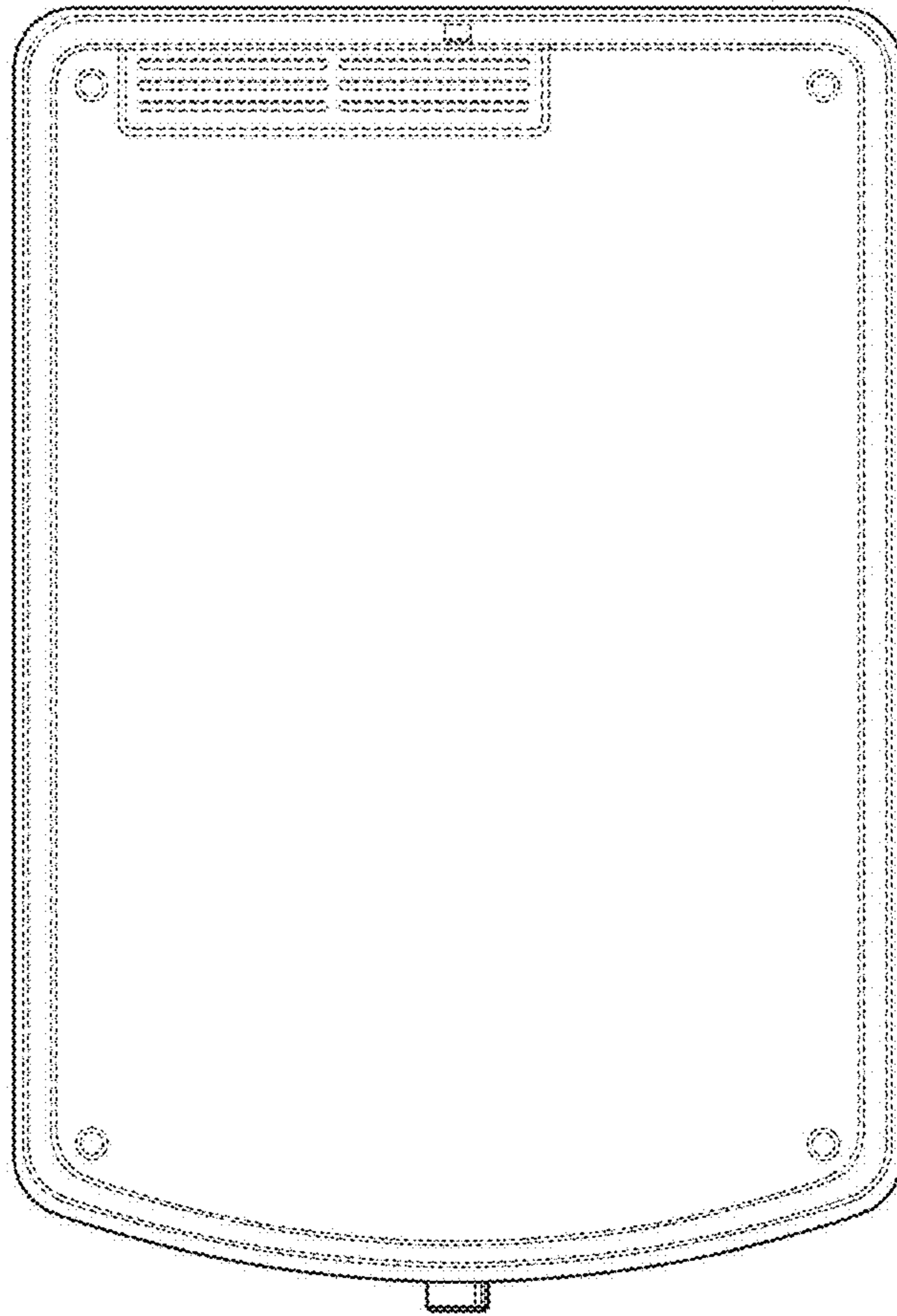


Fig. 3

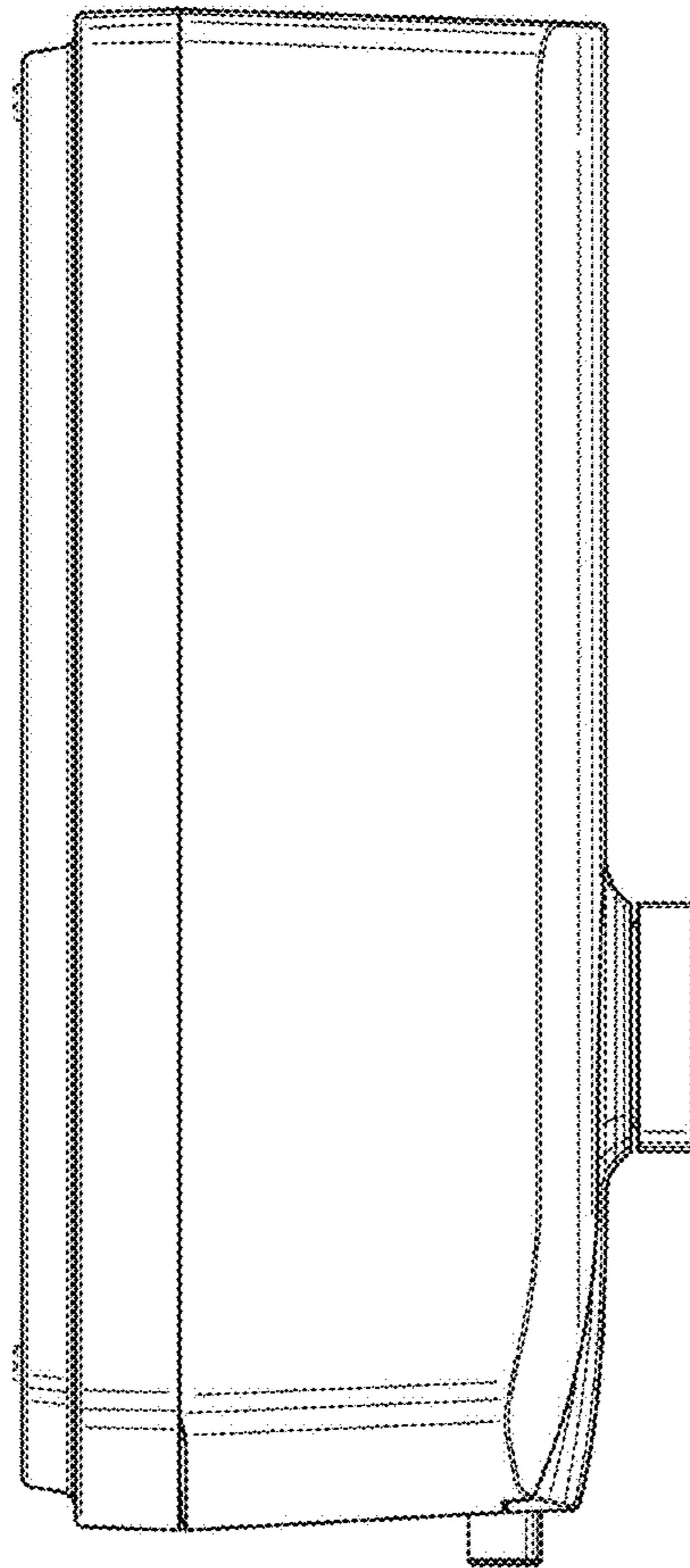


Fig. 4

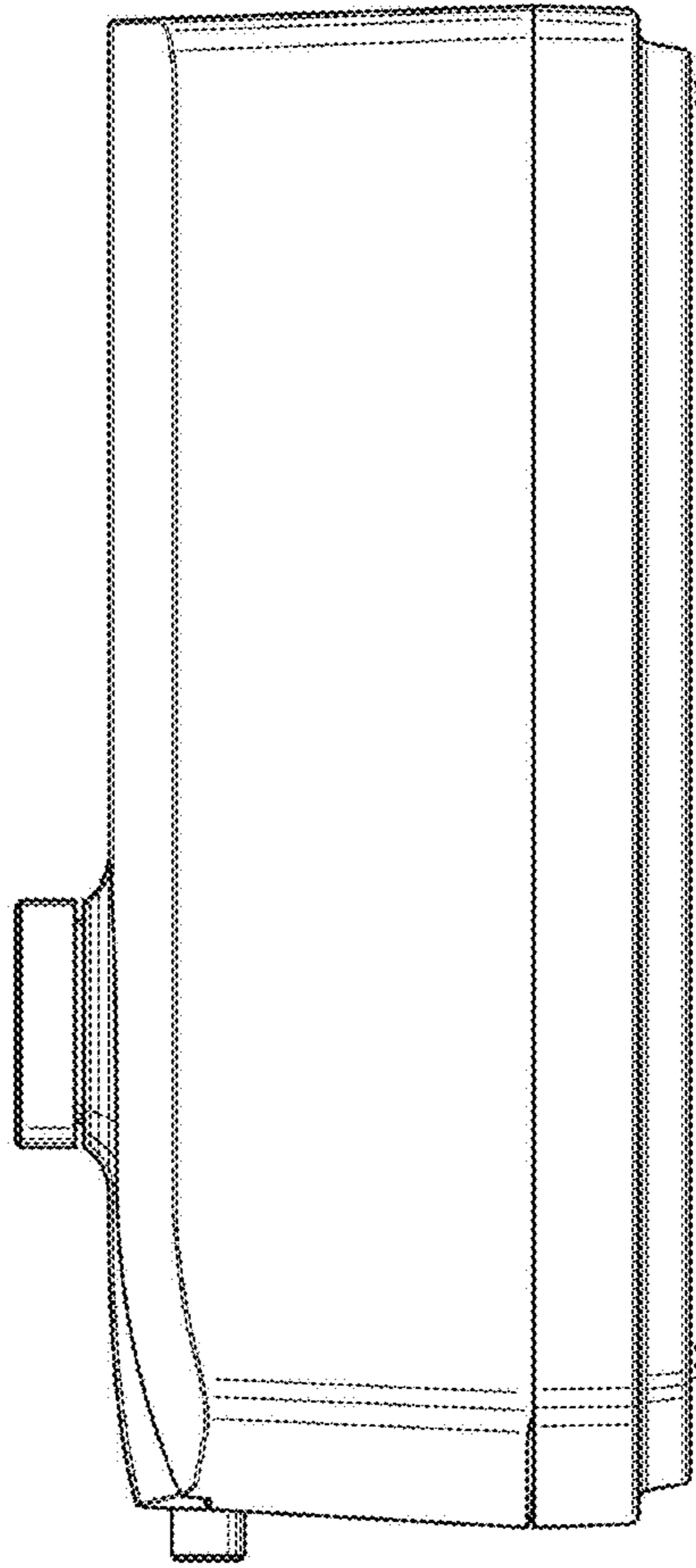


Fig. 5

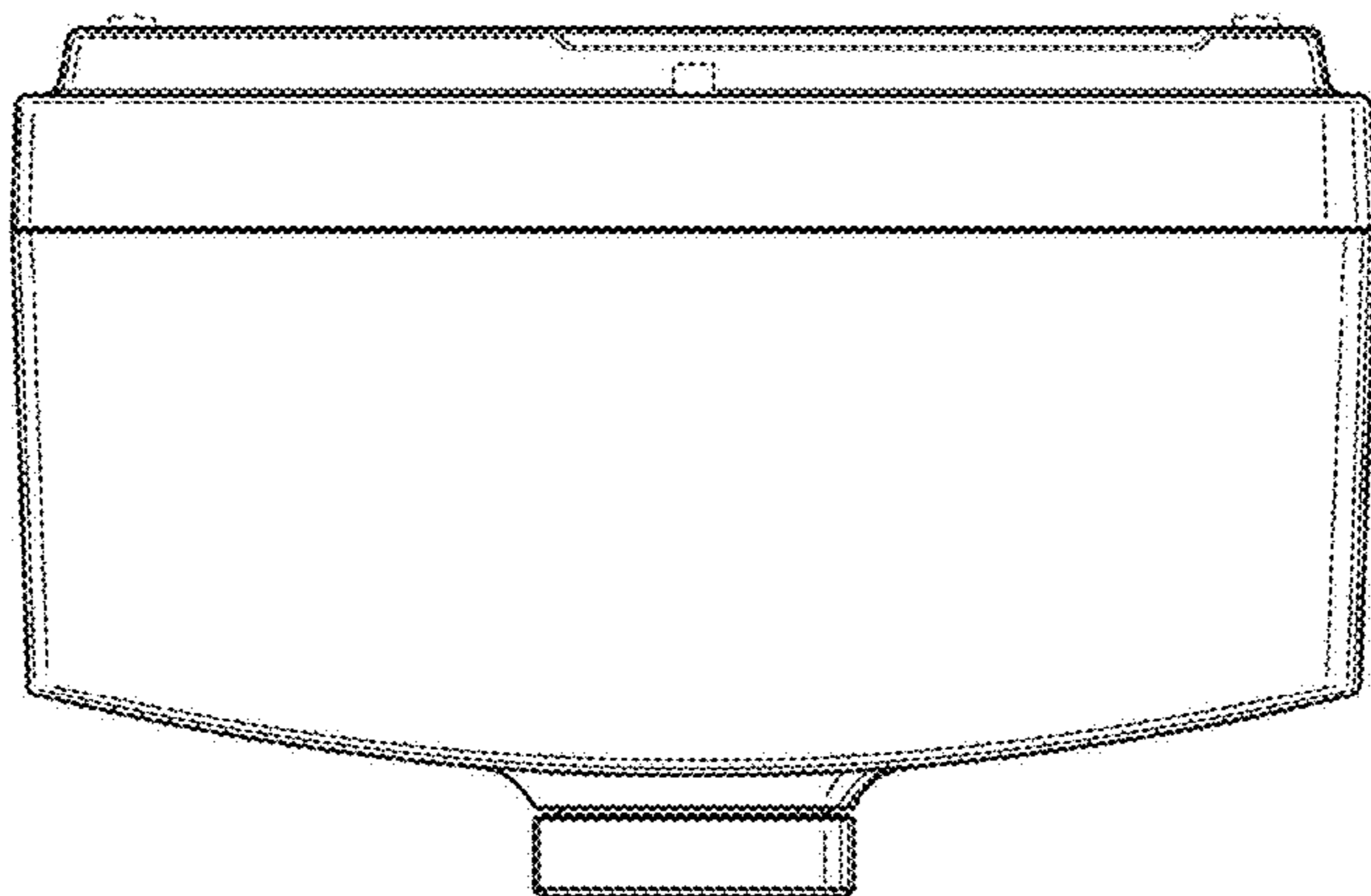


Fig. 6

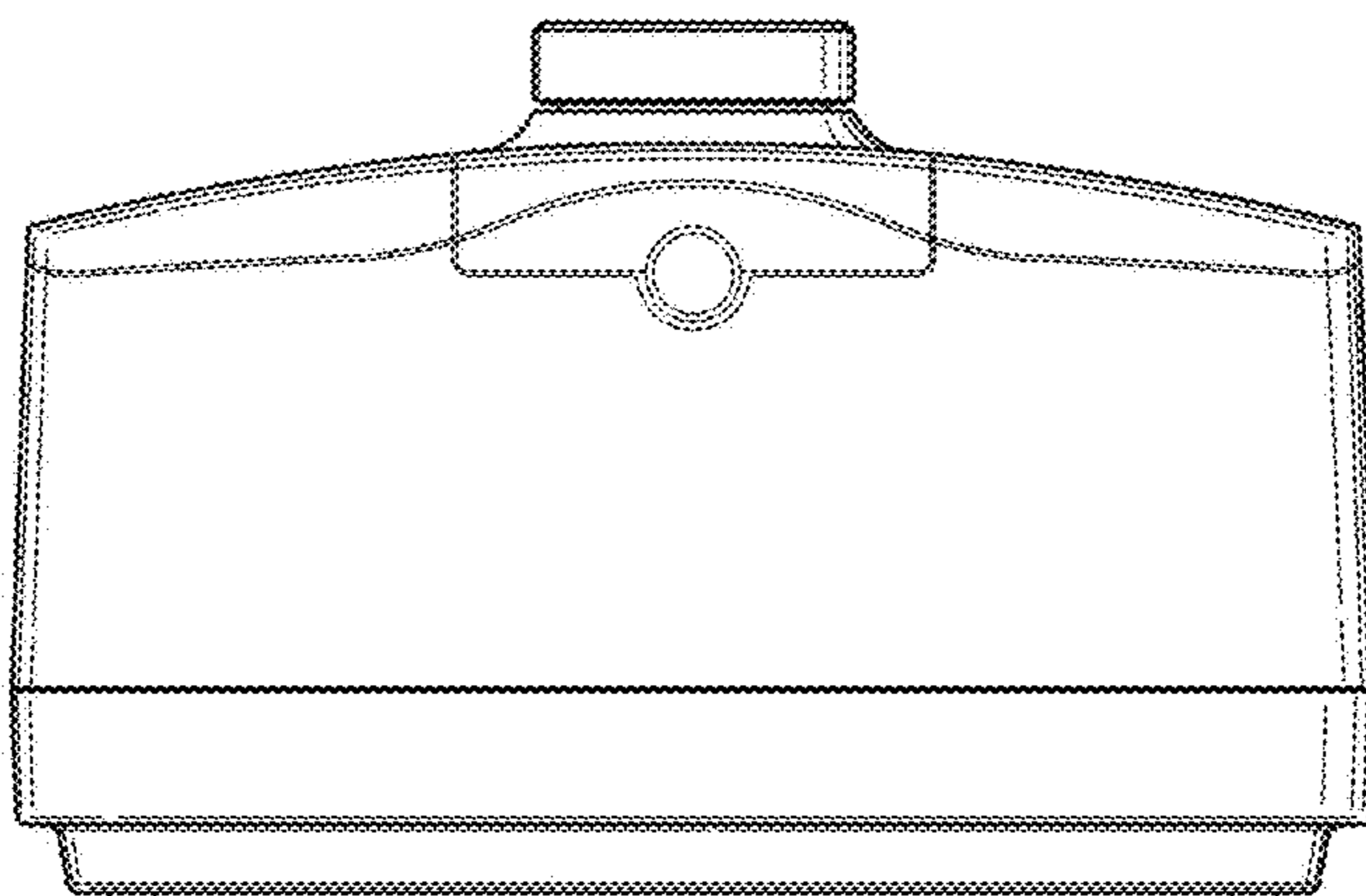


Fig. 7

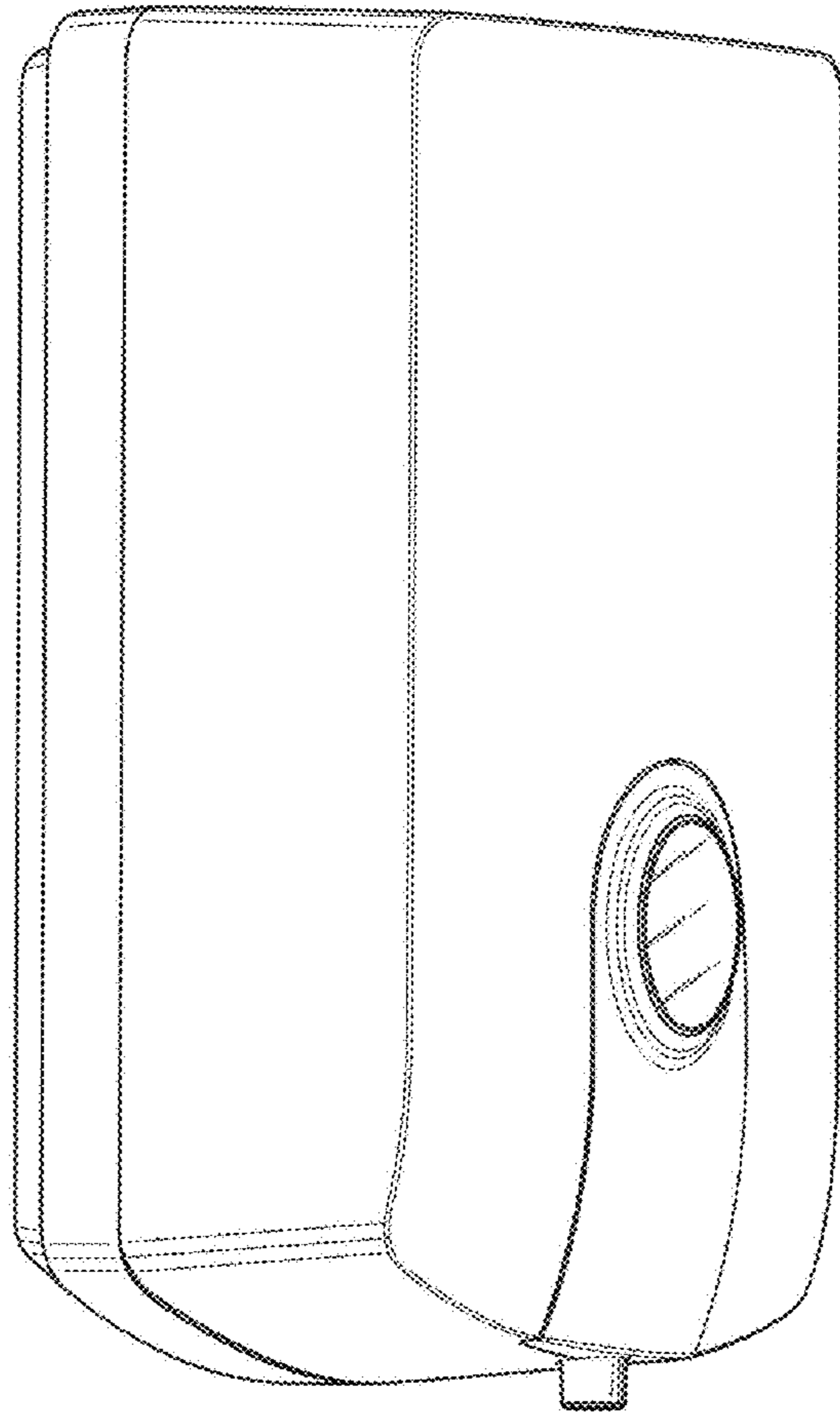


Fig. 8

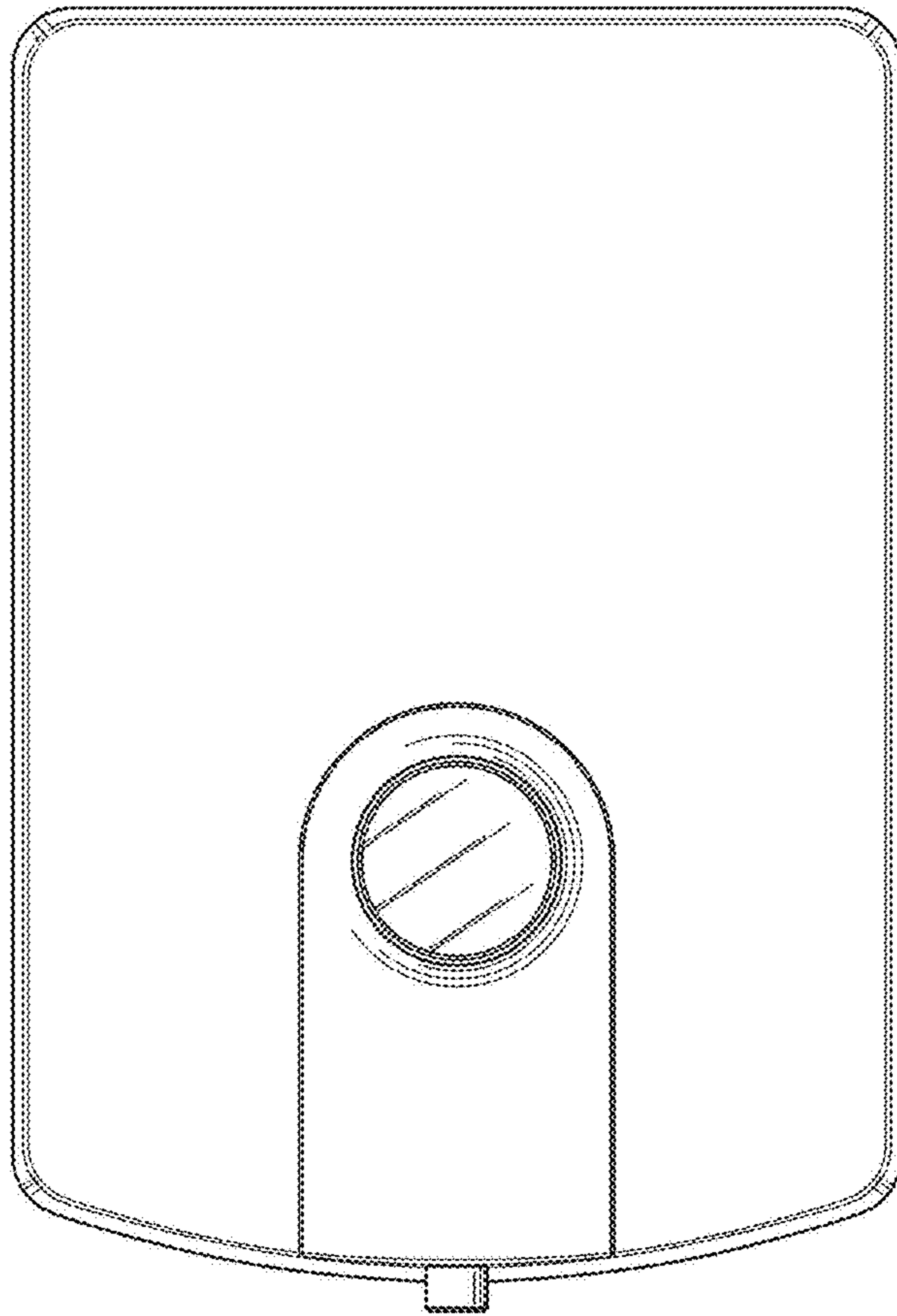


Fig. 9

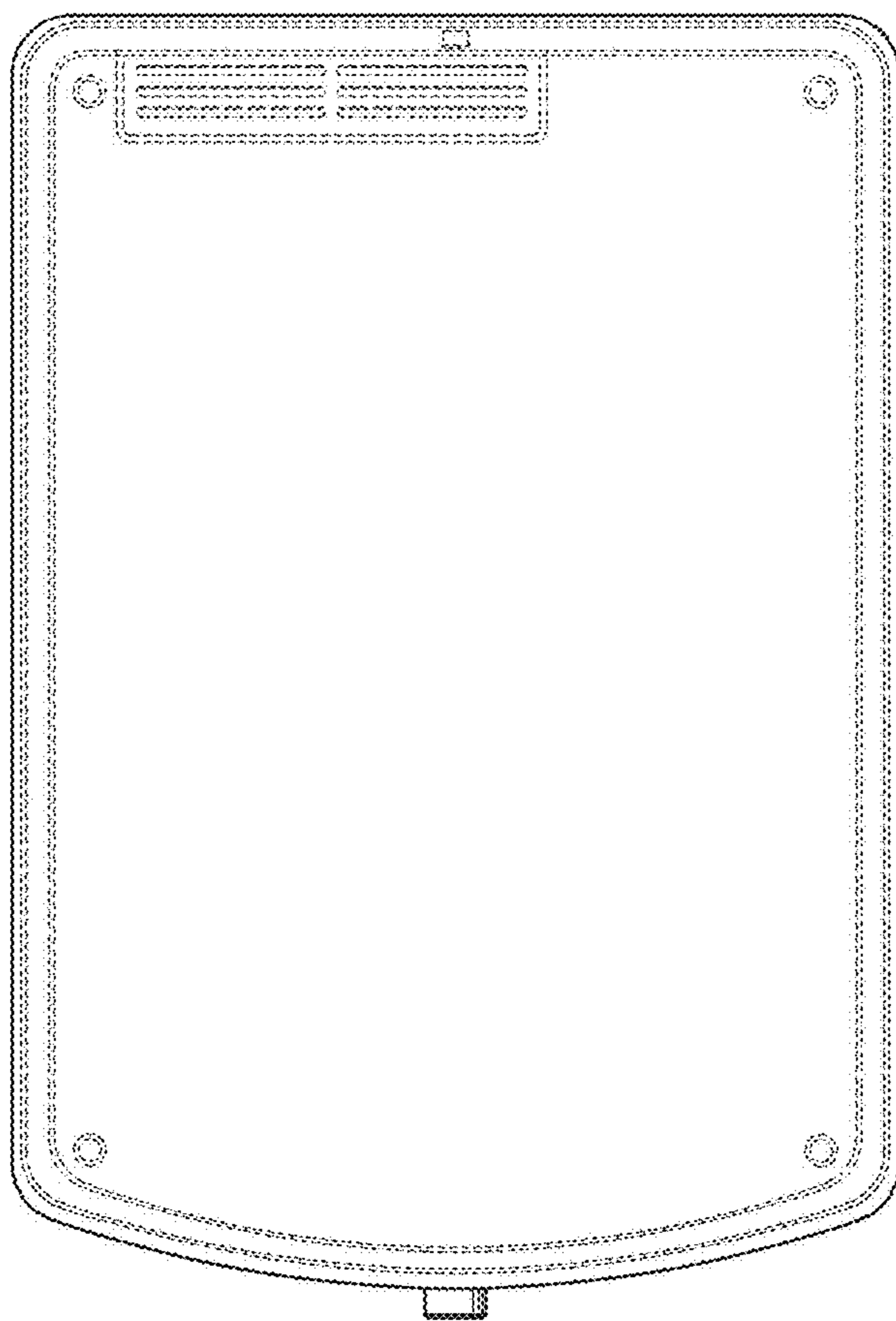


Fig. 10

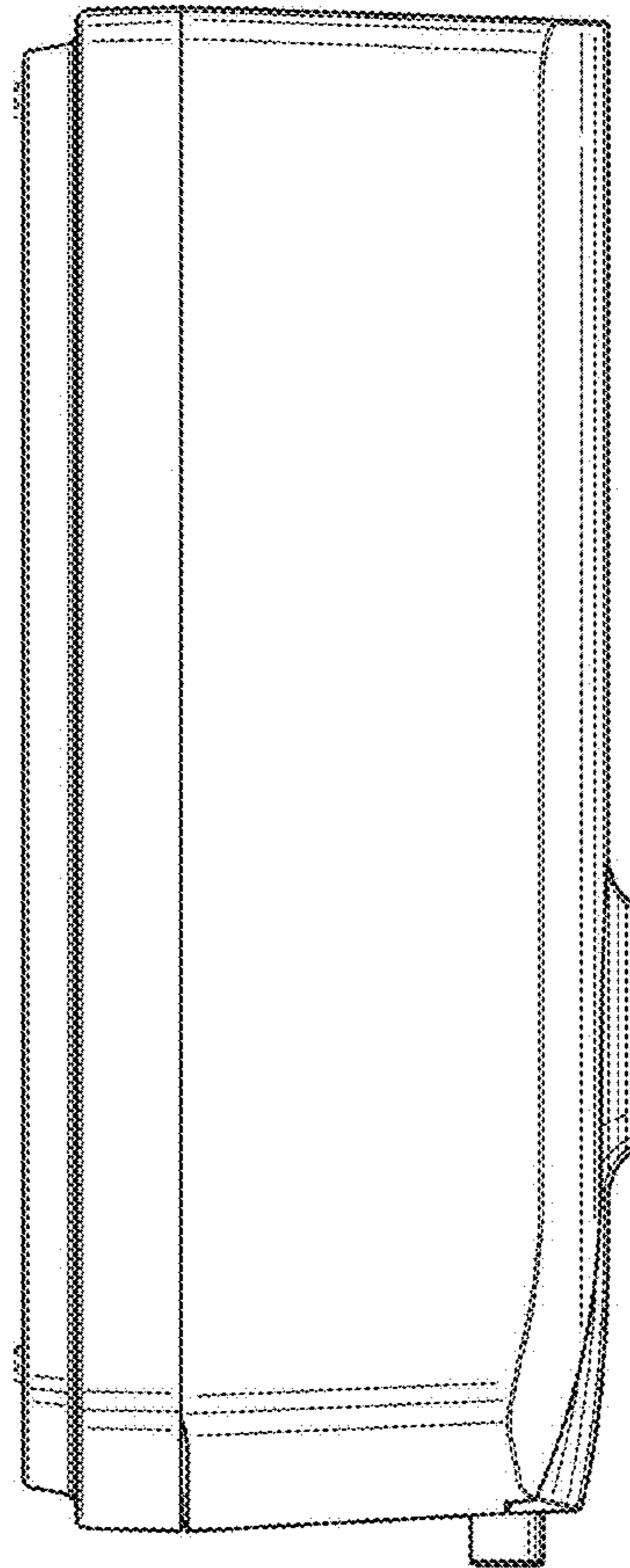


Fig. 11

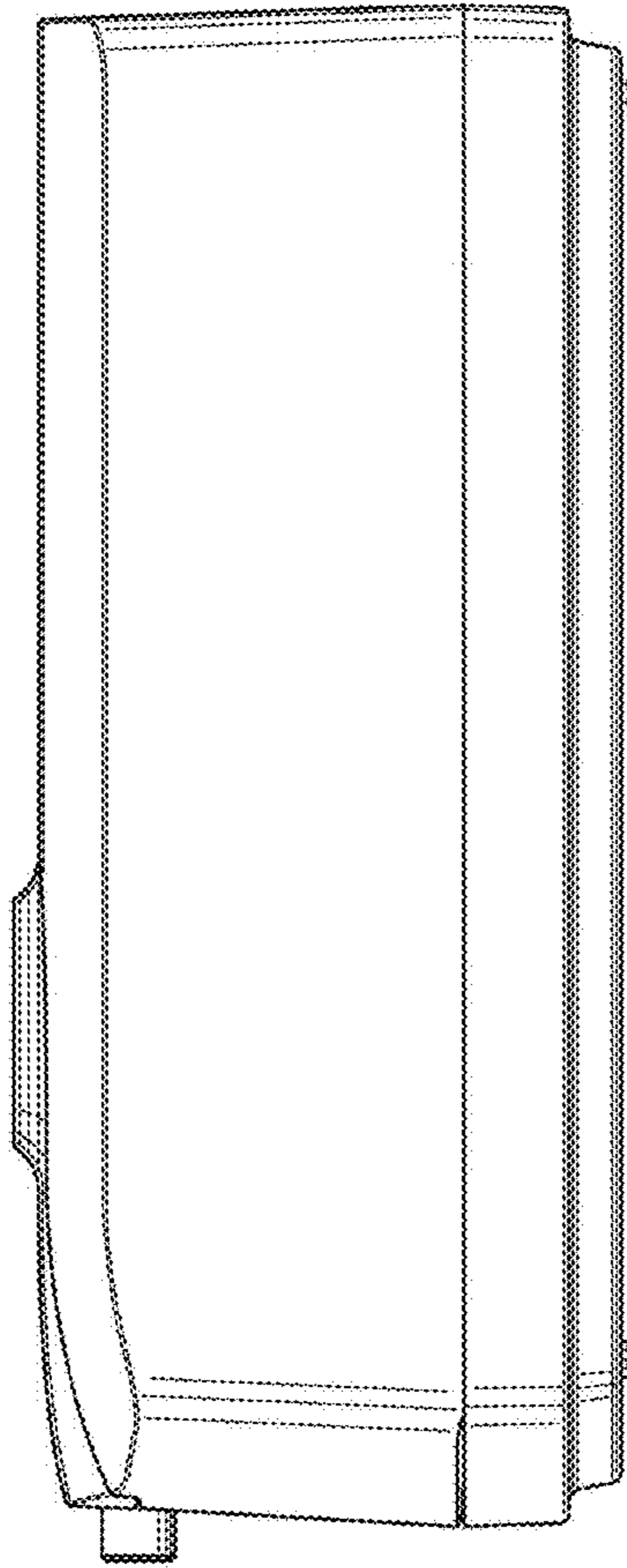


Fig. 12

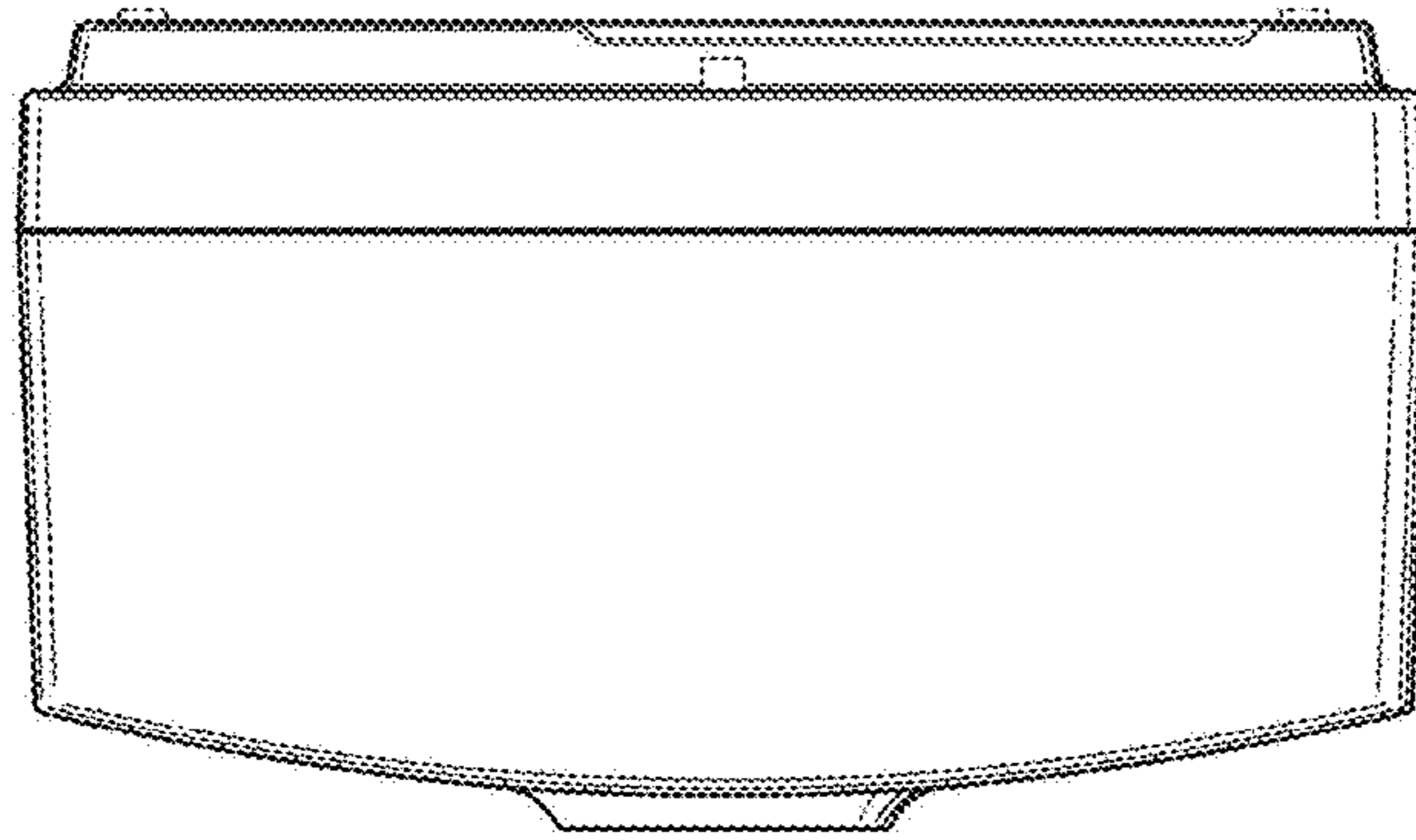


Fig. 13

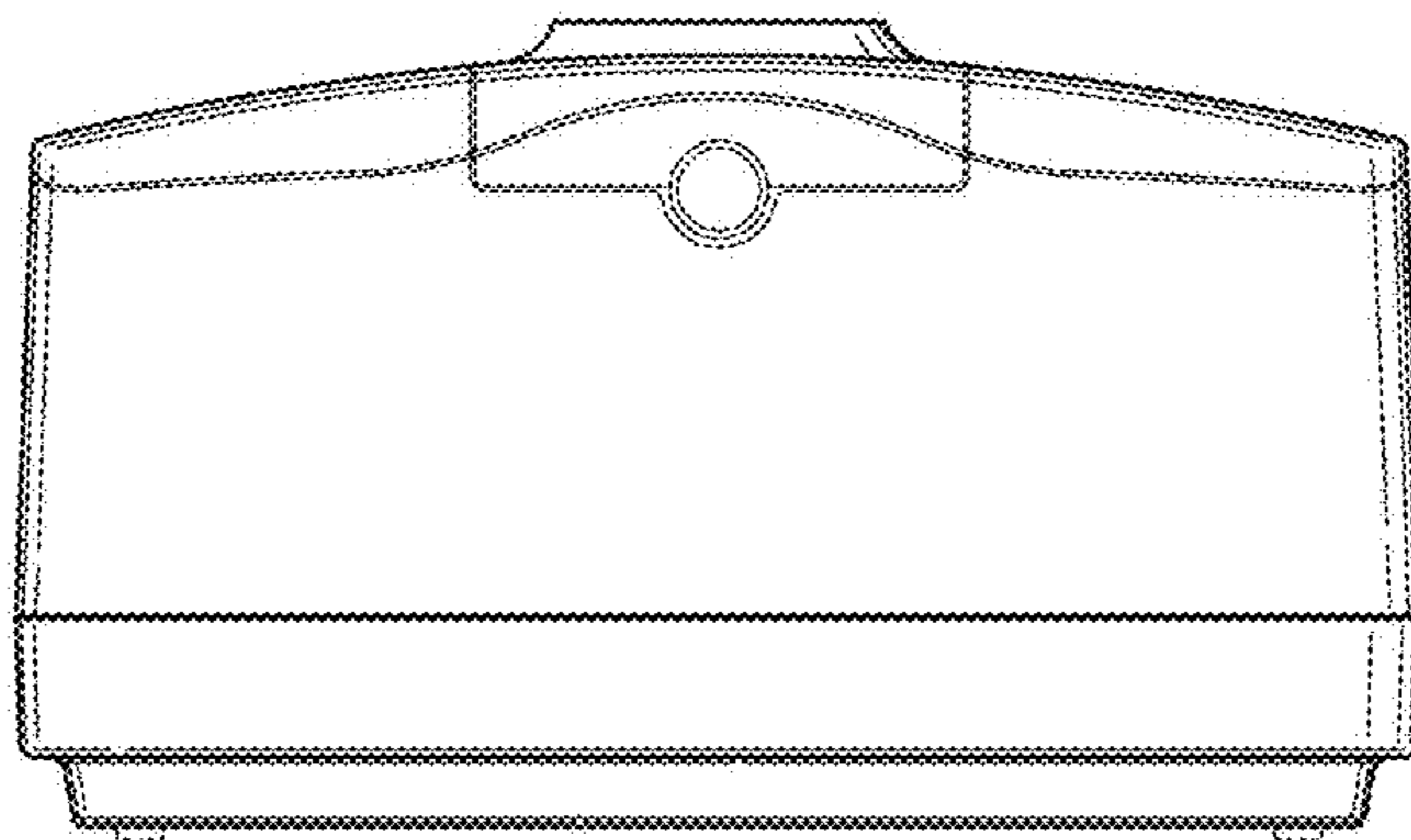


Fig. 14