

US00D866732S

(12) **United States Design Patent**
Fu

(10) **Patent No.:** **US D866,732 S**

(45) **Date of Patent:** **** Nov. 12, 2019**

(54) **TOILET SEAT COVER**

5,005,223 A * 4/1991 Greenwood A47K 13/06
4/235

(71) Applicant: **Zhejiang Zhengda Shumeijia Industry & Trading Co., Ltd, YiWu (CN)**

D352,102 S * 11/1994 Barnette D23/311

D502,766 S * 3/2005 Nash D23/311

D816,819 S * 5/2018 Xu D23/311

(72) Inventor: **Junrong Fu, Jinhua (CN)**

* cited by examiner

(73) Assignee: **ZHEJIANG ZHENGDA SHUMEIJIA INDUSTRY & TRADING CO., LTD, Yiwu (CN)**

Primary Examiner — Robert A Delehanty

(57) **CLAIM**

The ornamental design for a toilet seat cover, as shown and described.

(**) Term: **15 Years**

DESCRIPTION

(21) Appl. No.: **29/659,018**

FIG. 1 is a front right perspective view of a toilet seat cover showing my new design;

(22) Filed: **Aug. 6, 2018**

FIG. 2 is a rear perspective view thereof;

(51) **LOC (12) Cl.** **23-02**

FIG. 3 is a front elevation view thereof;

(52) **U.S. Cl.**

FIG. 4 is a rear elevation view thereof;

USPC **D23/311**

FIG. 5 is a top plan elevation view thereof;

(58) **Field of Classification Search**

FIG. 6 is a bottom plan elevation view thereof;

USPC D23/303, 309–312, 295–296; D6/358

FIG. 7 is a left side elevation view thereof;

CPC A47K 13/00; A47K 13/06

FIG. 8 is a right side elevation view thereof;

See application file for complete search history.

FIG. 9 is similar to FIG. 1, but the toilet seat cover in a second state; and,

(56) **References Cited**

FIG. 10 is similar to FIG. 1, but the toilet seat cover in a third state.

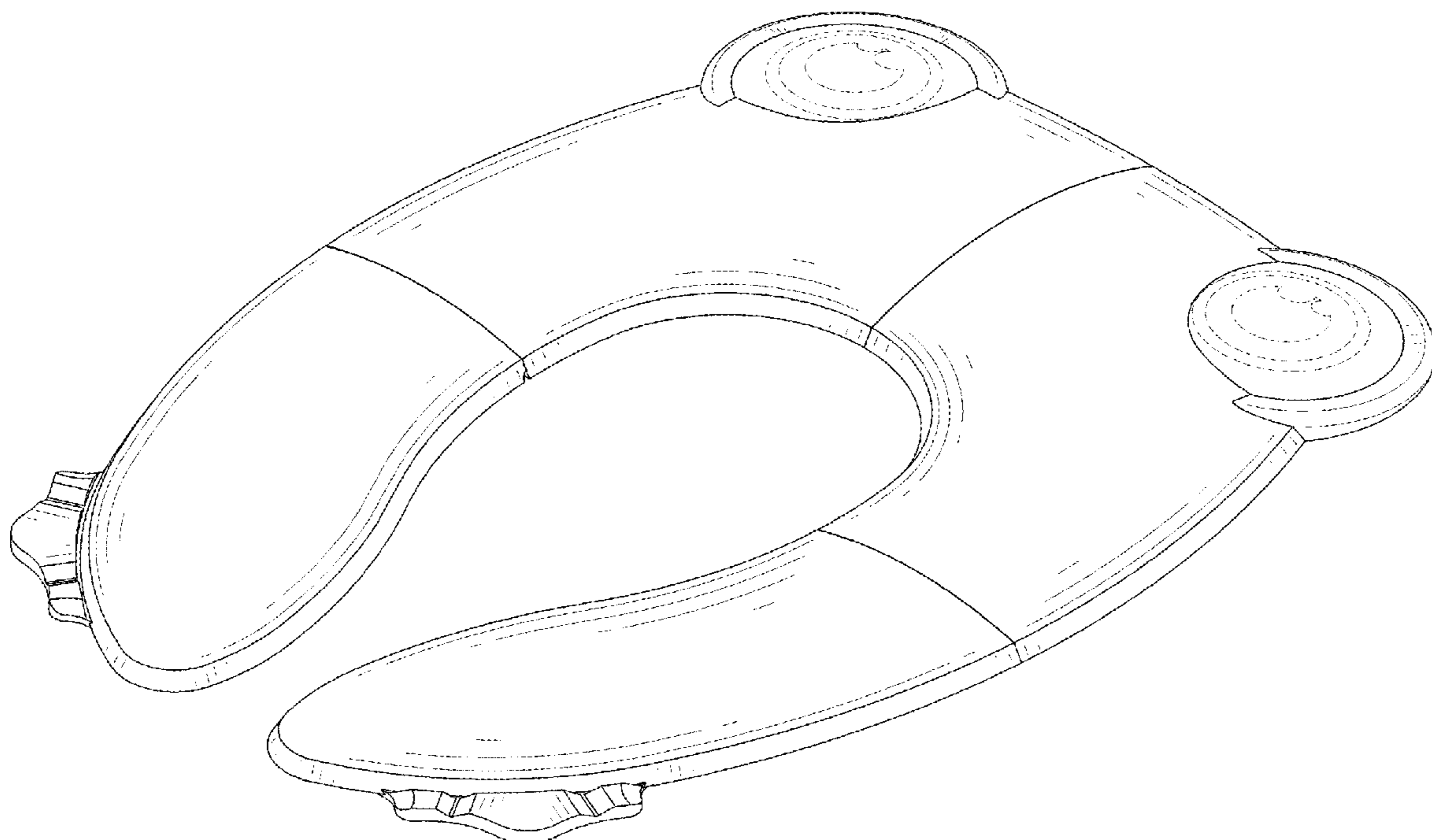
U.S. PATENT DOCUMENTS

The broken lines depict portions of the article that form no part of the claimed design.

3,261,030 A * 7/1966 Blem A47K 13/02
4/239

D305,793 S * 1/1990 Cronk D23/311

1 Claim, 10 Drawing Sheets



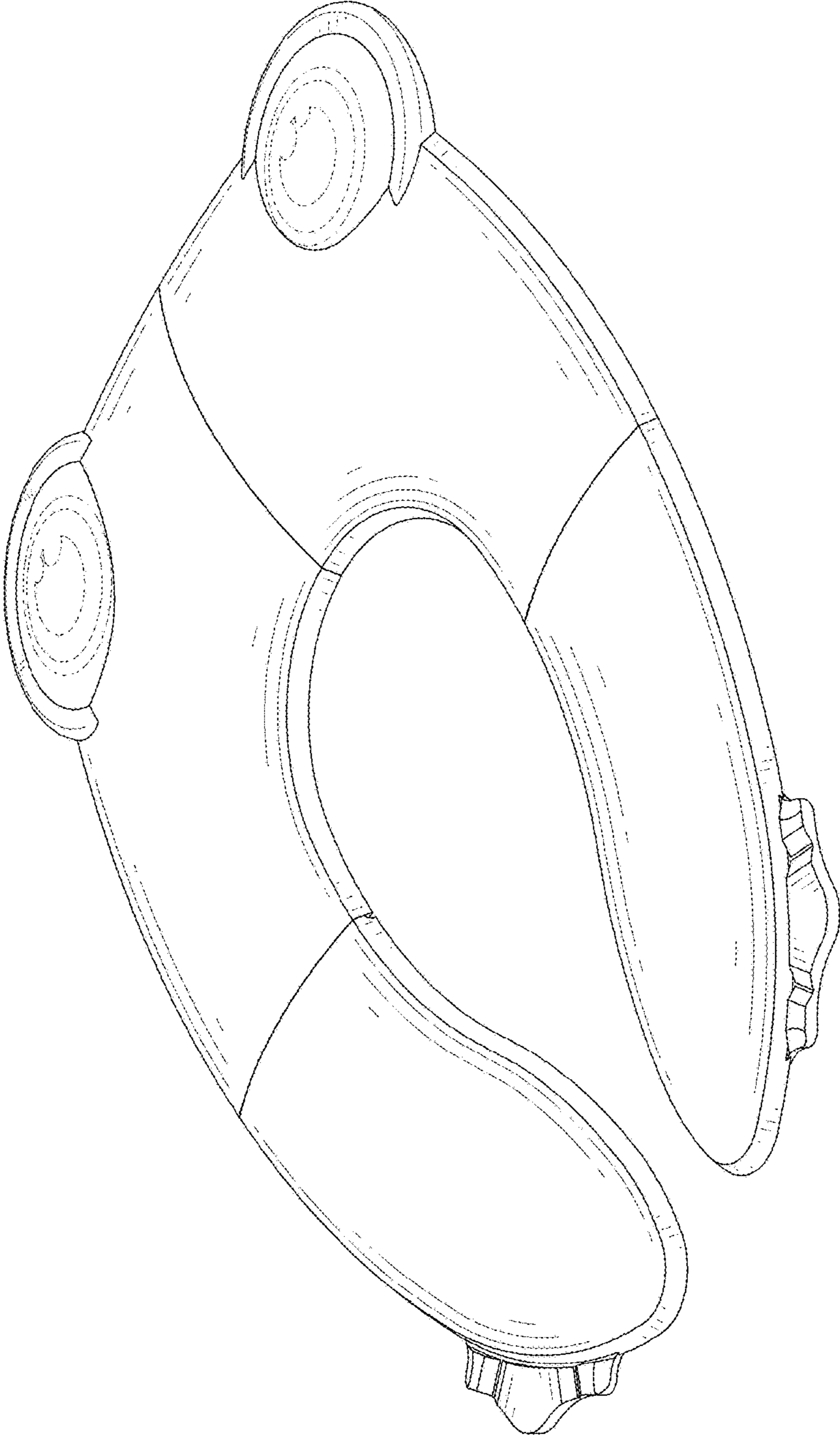


FIG. 1

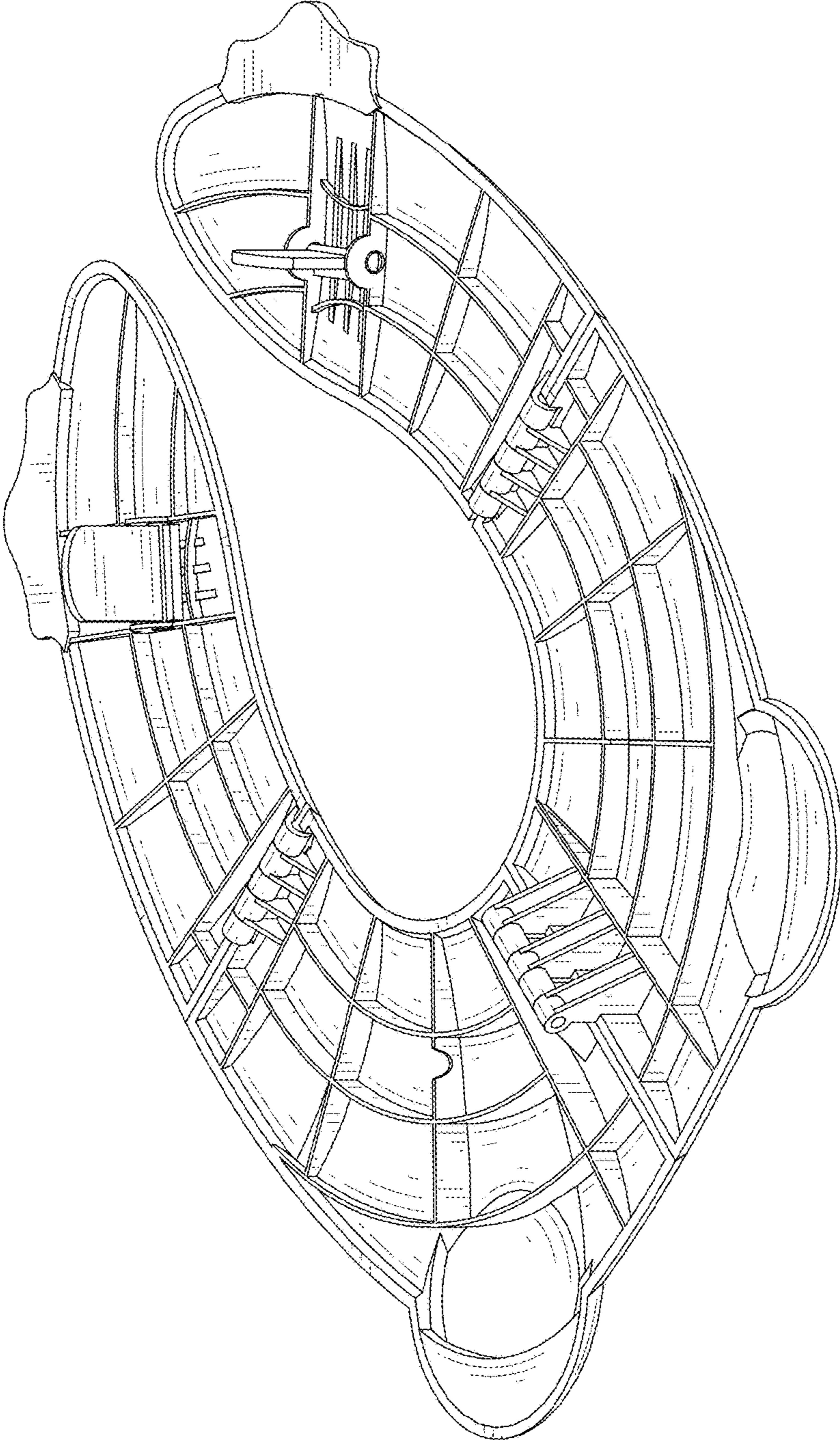


FIG. 2

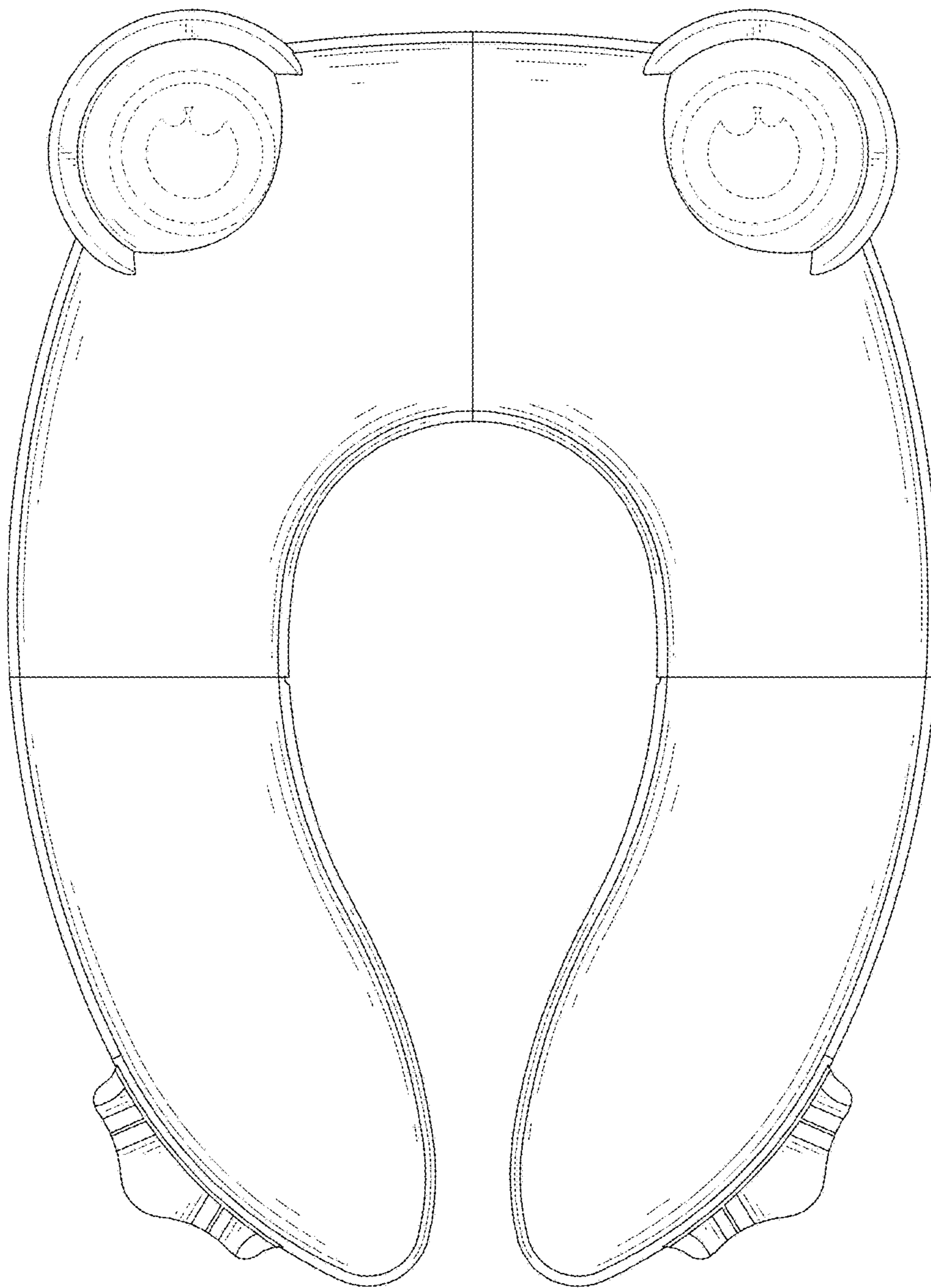


FIG. 3

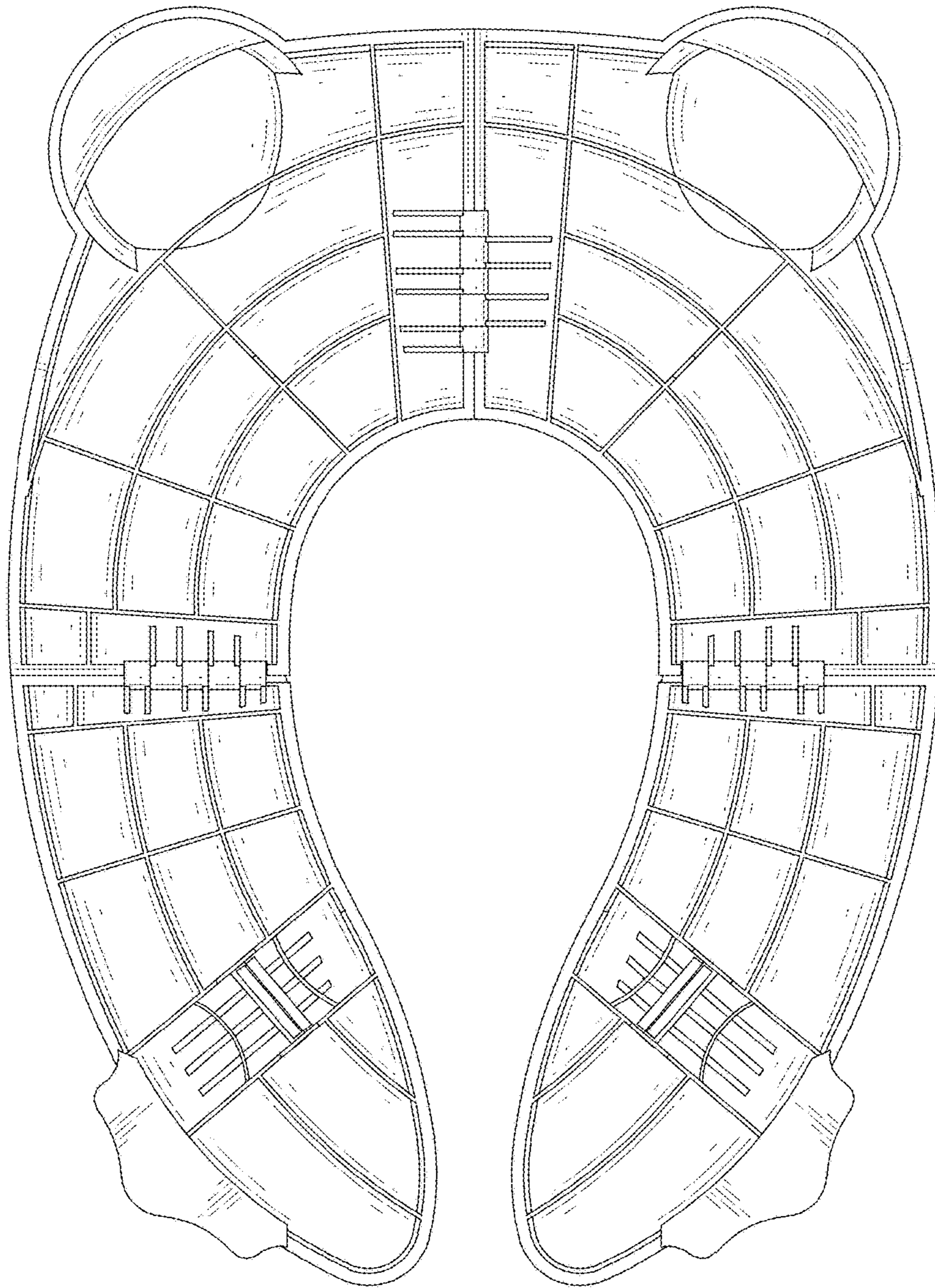


FIG. 4

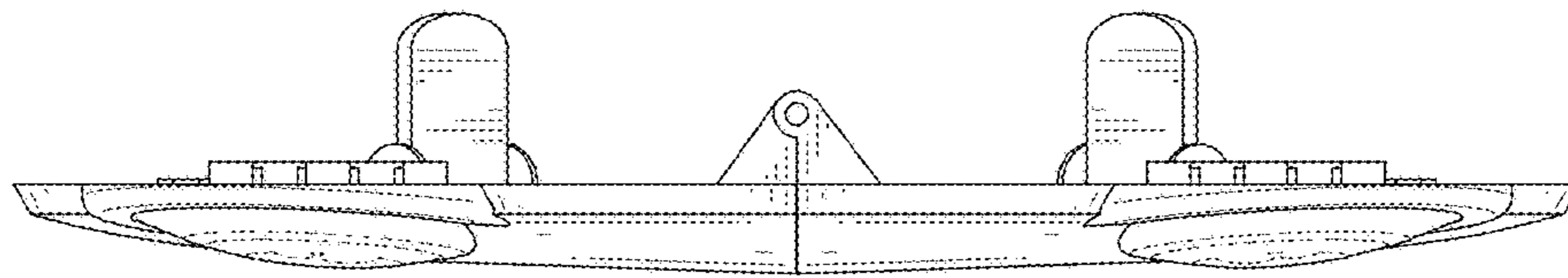


FIG. 5

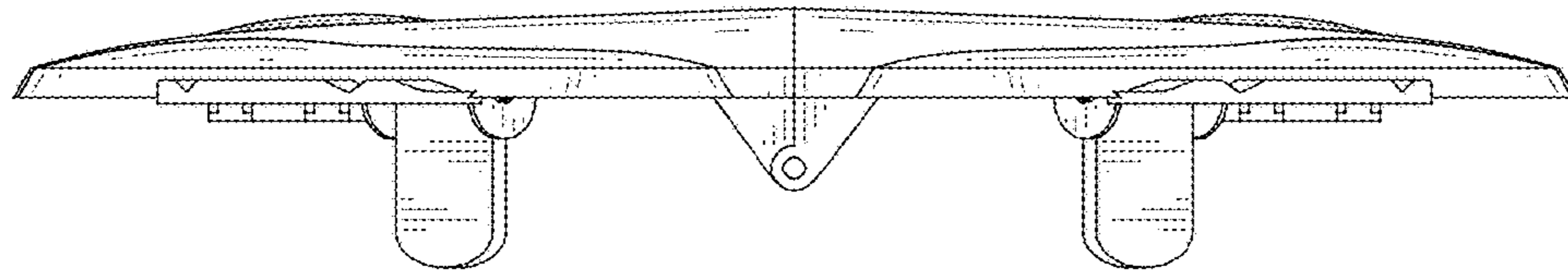


FIG. 6

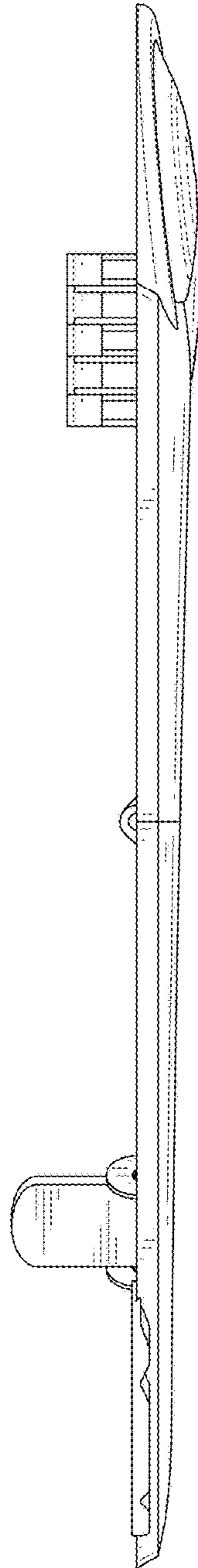


FIG. 7

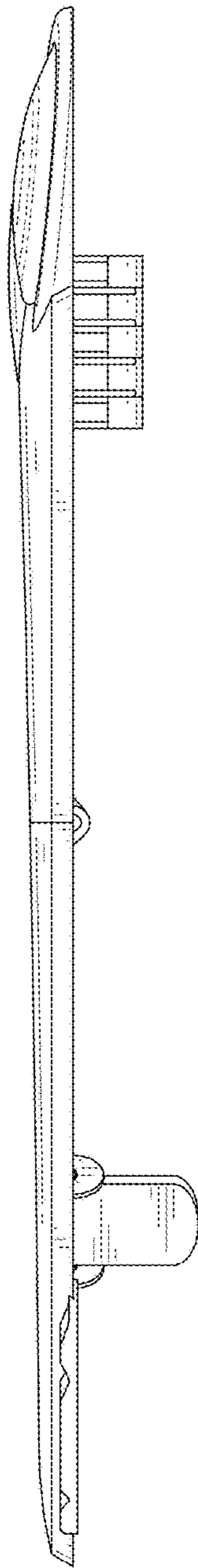


FIG. 8

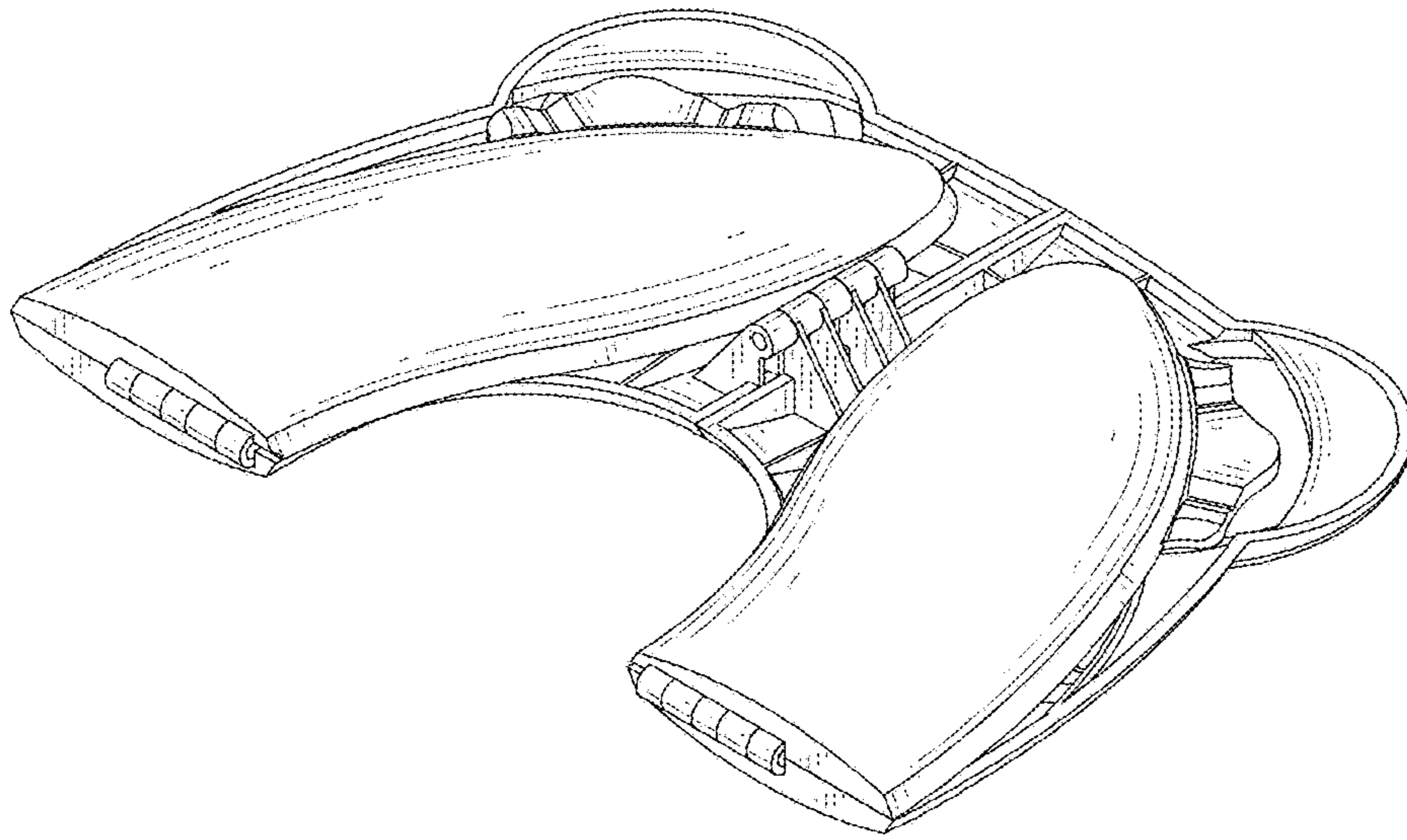


FIG. 9

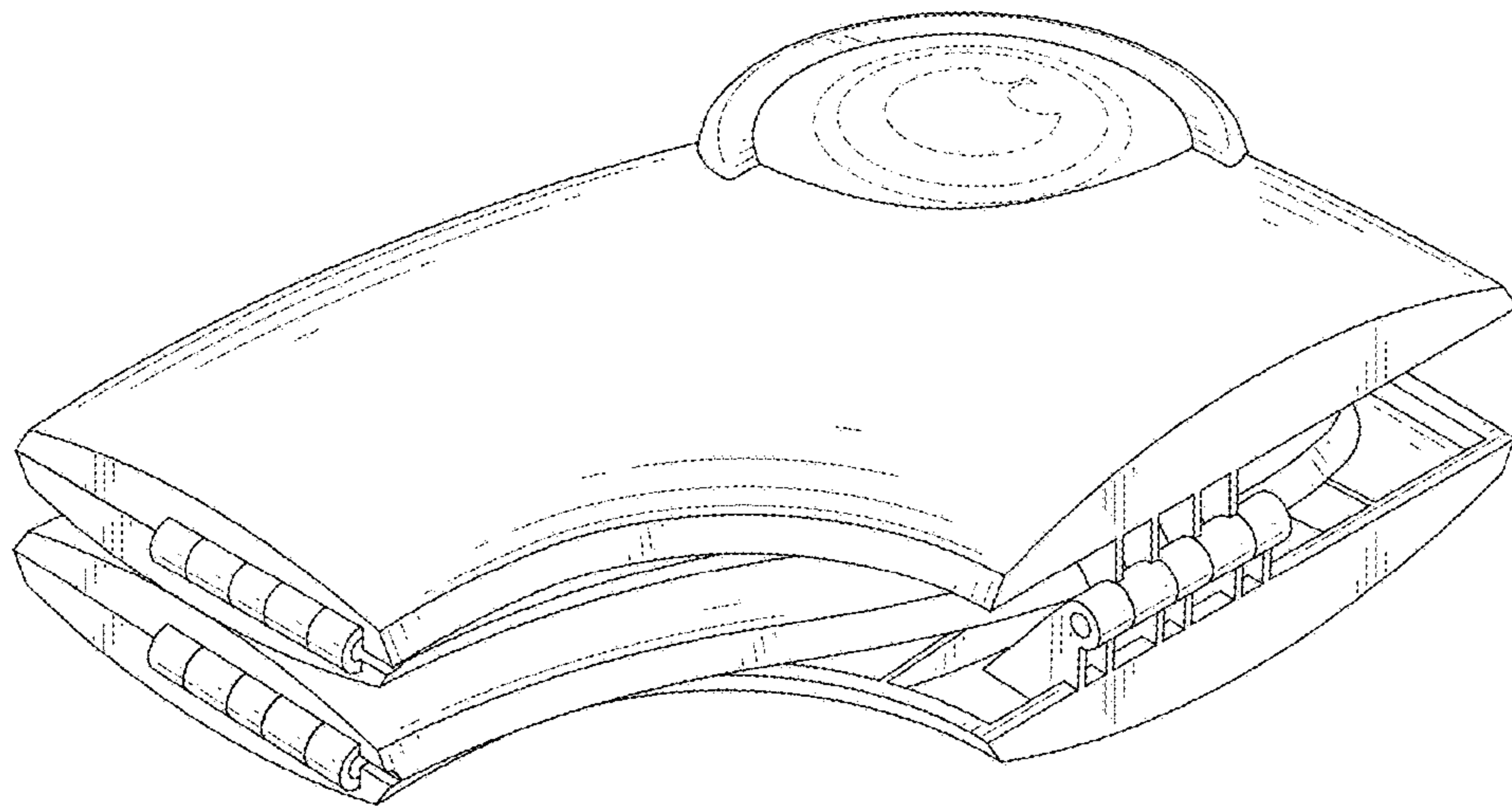


FIG. 10