



US00D866731S

(12) **United States Design Patent** (10) **Patent No.:** **US D866,731 S**
Richter (45) **Date of Patent:** **** Nov. 12, 2019**

(54) **TOILET SEAT COVER**

(71) Applicant: **Duravit Aktiengesellschaft**, Hornberg (DE)

(72) Inventor: **Frank Richter**, Hornberg (DE)

(73) Assignee: **Duravit Aktiengesellschaft**, Hornberg (DE)

(**) Term: **15 Years**

(21) Appl. No.: **29/583,534**

(22) Filed: **Nov. 7, 2016**

Related U.S. Application Data

(62) Division of application No. 35/500,057, filed on Jun. 24, 2015 (U.S. filing date under 35 U.S.C. 384), and having an international filing date of Jun. 24, 2015, now Pat. No. Des. 818,092.

(30) **Foreign Application Priority Data**

Feb. 3, 2015 (WO) DM086379
Jun. 24, 2015 (WO) DM086881

(51) **LOC (12) Cl.** **23-02**

(52) **U.S. Cl.**
USPC **D23/311**

(58) **Field of Classification Search**
USPC D23/295, 296, 299, 303, 309-311;
D6/611
CPC A47K 13/00; A47K 13/06; A47K 13/24;
A47K 13/28; A47K 13/005
See application file for complete search history.

(56) **References Cited**

U.S. PATENT DOCUMENTS

D281,193 S *	10/1985	Chapman	D23/296
D355,246 S *	2/1995	Kawamura	D23/295
D382,333 S *	8/1997	Kawamura	D23/295
D617,884 S *	6/2010	Choi	D23/311
D618,325 S *	6/2010	Deng	D23/311
D786,412 S *	5/2017	Jeong	D23/311
D811,565 S *	2/2018	Dong	D23/311
D818,092 S *	5/2018	Richter	D23/311
D819,793 S *	6/2018	Yoo	D23/311

* cited by examiner

Primary Examiner — Keli L Hill

(74) *Attorney, Agent, or Firm* — Florek & Endres PLLC

(57) **CLAIM**

The ornamental design for a toilet seat cover, as shown and described.

DESCRIPTION

FIG. 1 is a rear elevation view of a toilet seat cover showing my new design.

FIG. 2 is a top view thereof.

FIG. 3 is a side elevation view thereof.

FIG. 4 is a top, front and side perspective view thereof, shown with the lid in an open position.

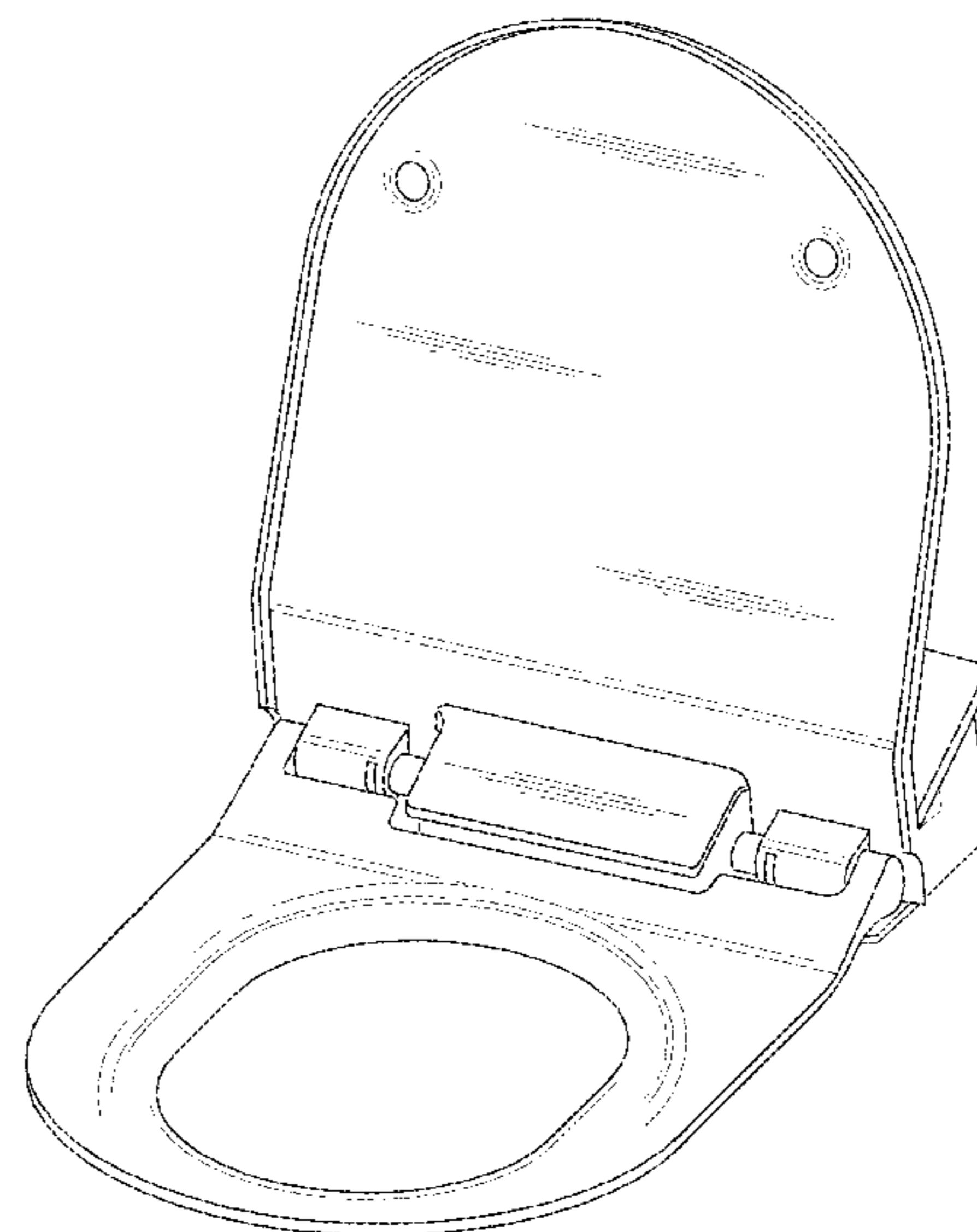
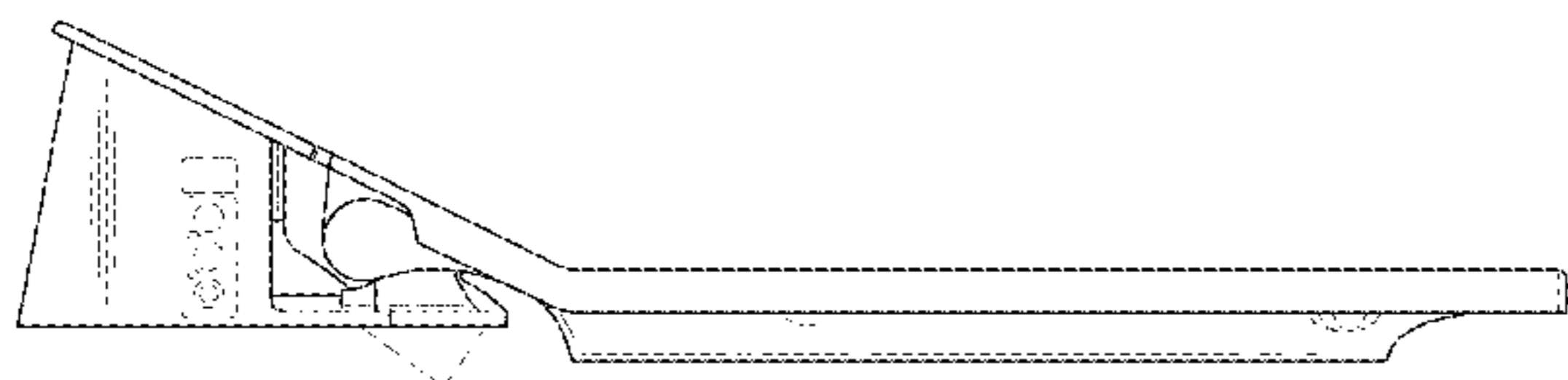
FIG. 5 is an opposite side elevation view thereof.

FIG. 6 is a an alternate top, front and side perspective view of toilet seat cover of FIG. 2 thereof, shown with the lid in a closed position; and,

FIG. 7 is a bottom plan view thereof.

The broken lines in the drawings represent unclaimed features.

1 Claim, 7 Drawing Sheets



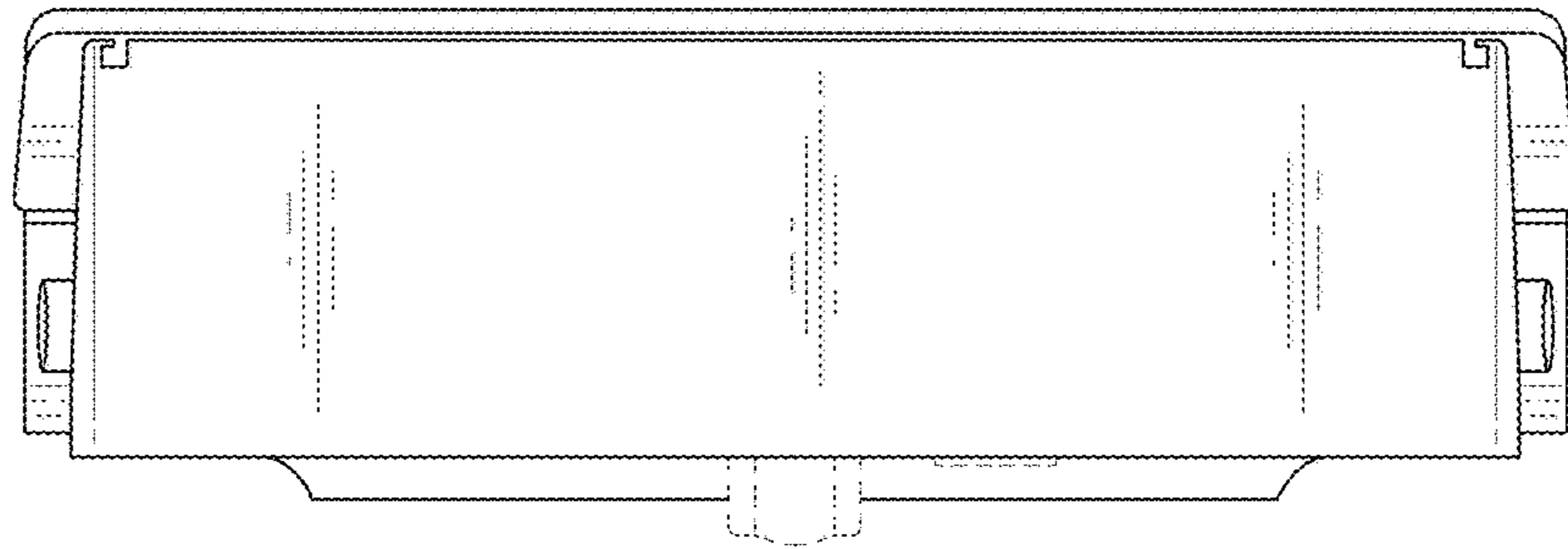


FIG. 1

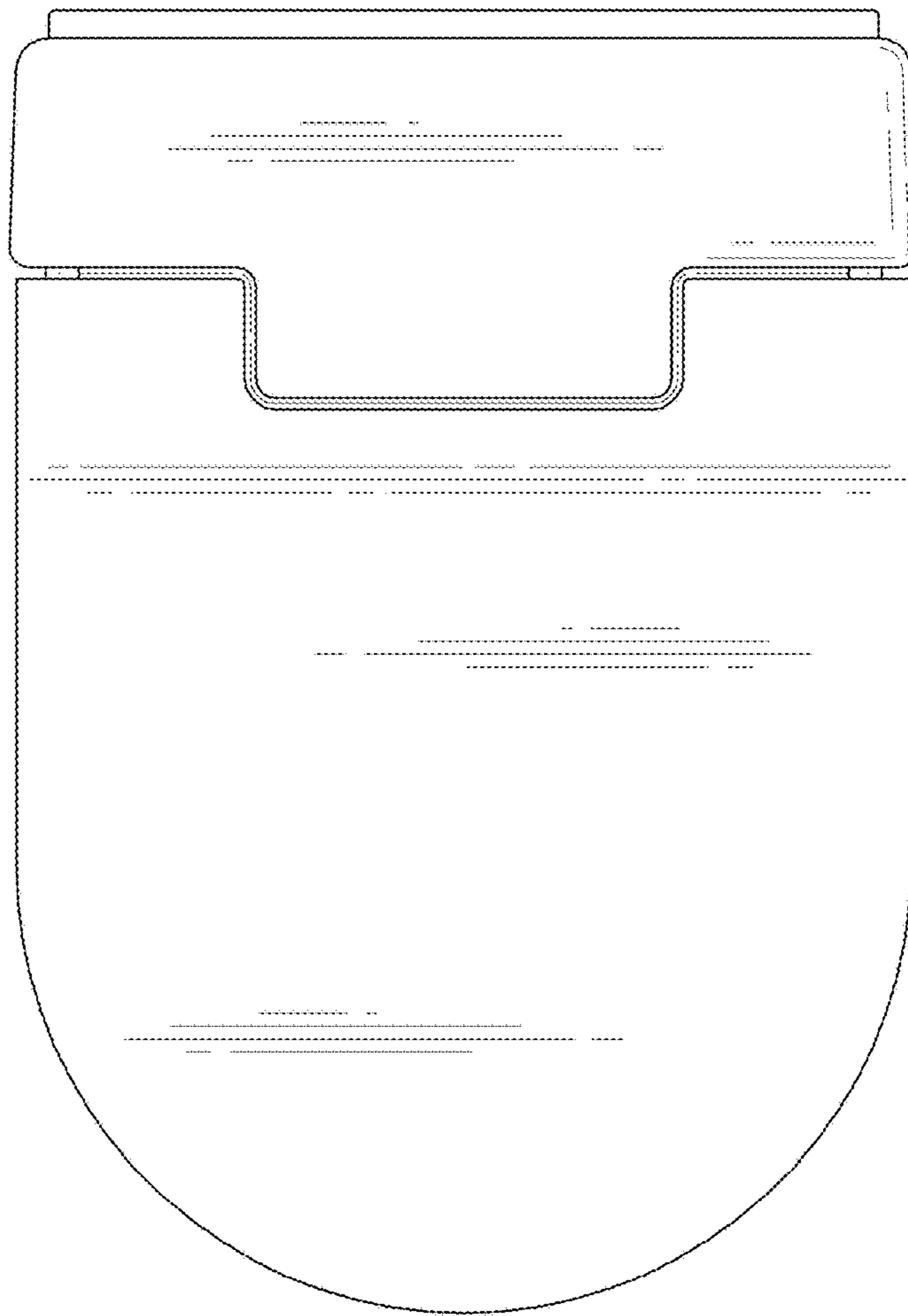


FIG. 2

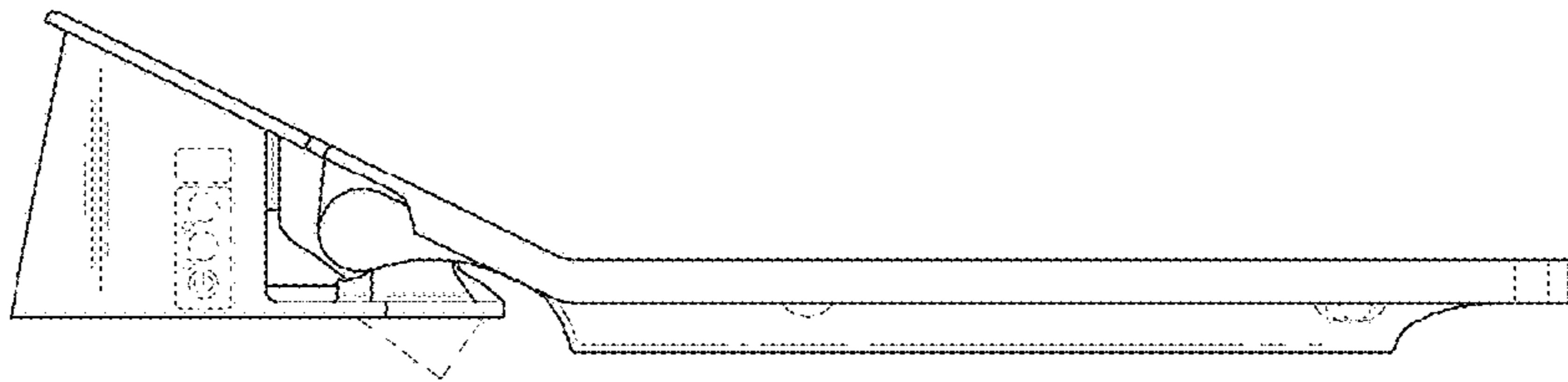


FIG. 3

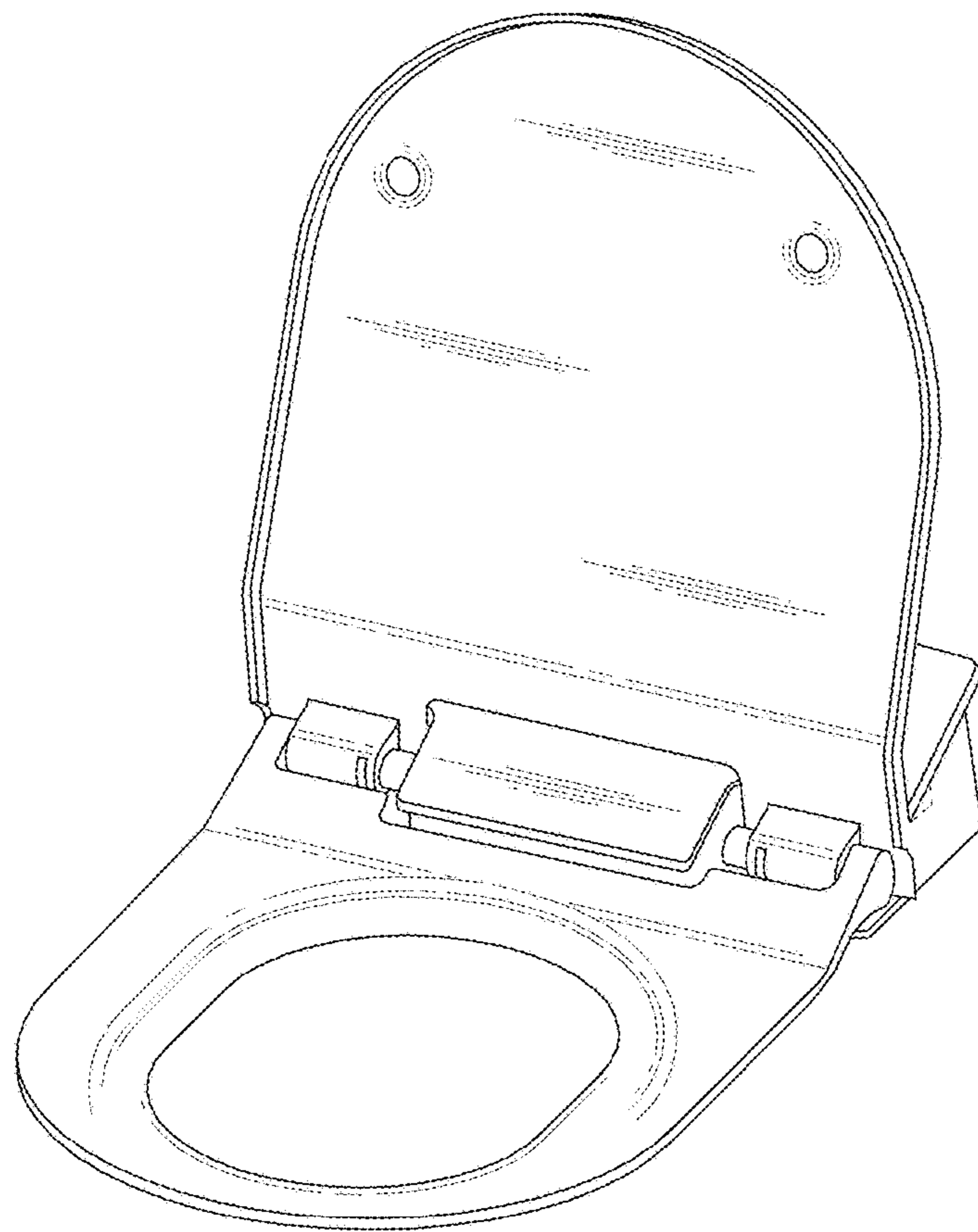


FIG. 4

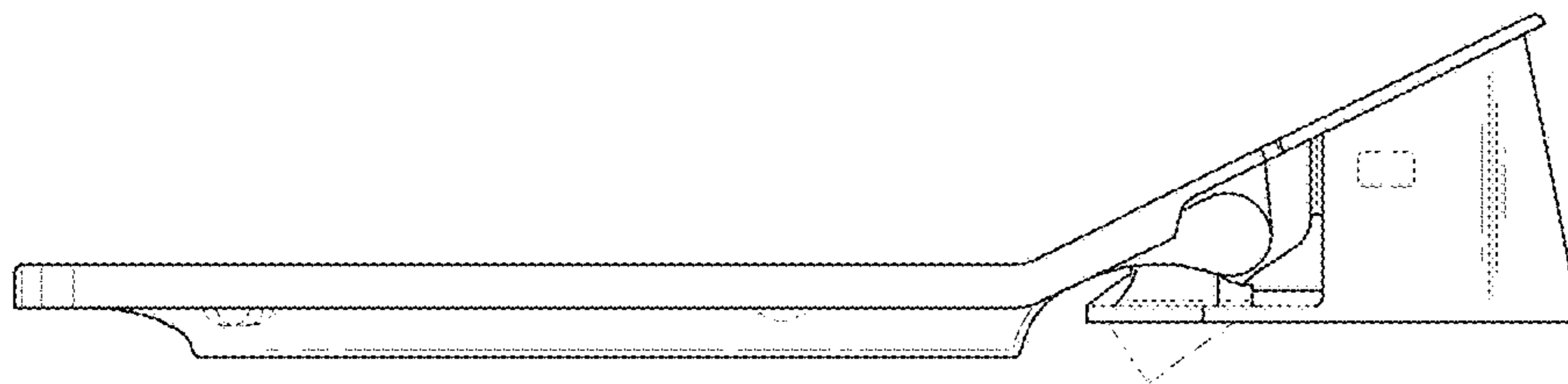


FIG. 5

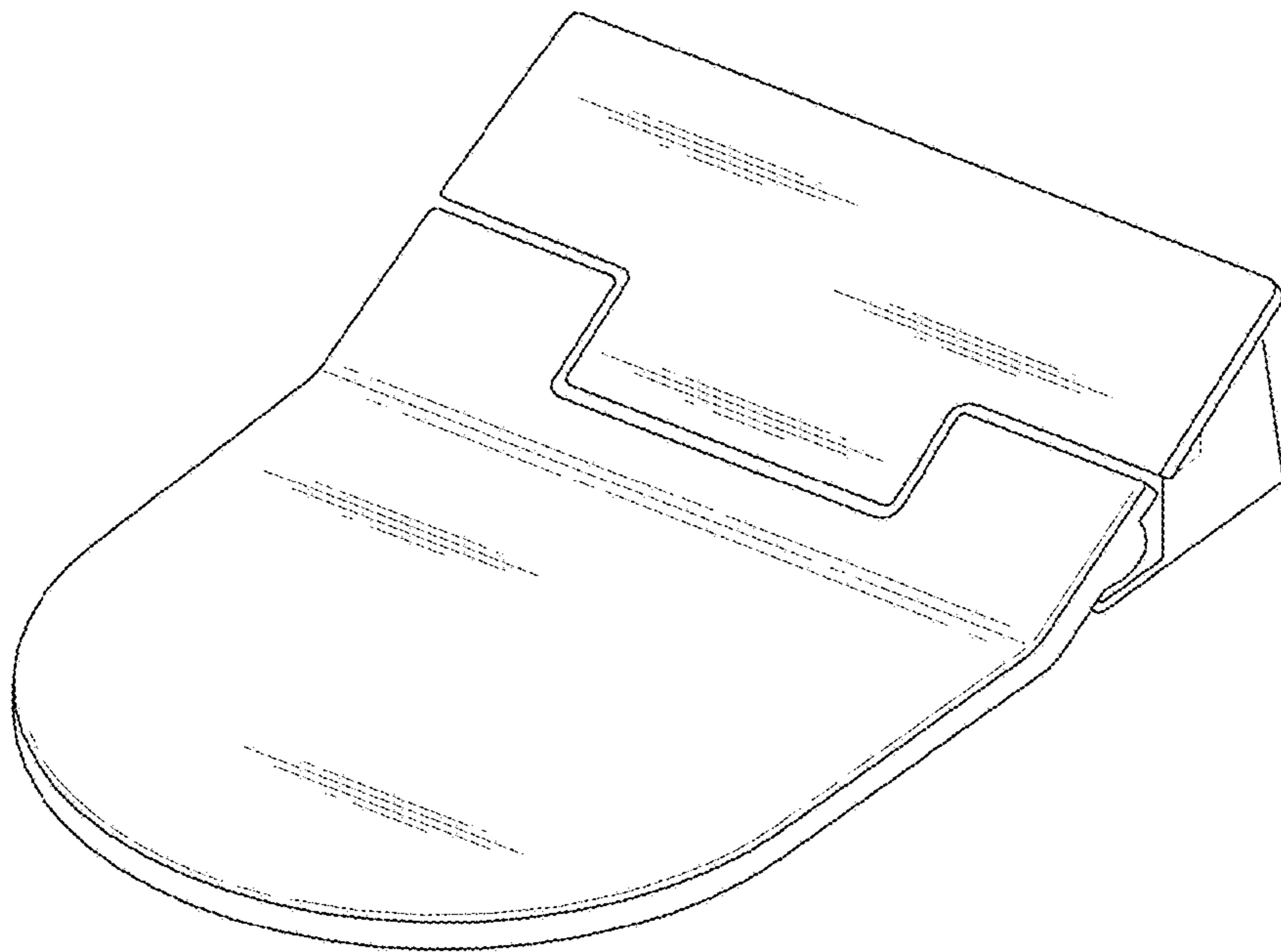


FIG. 6

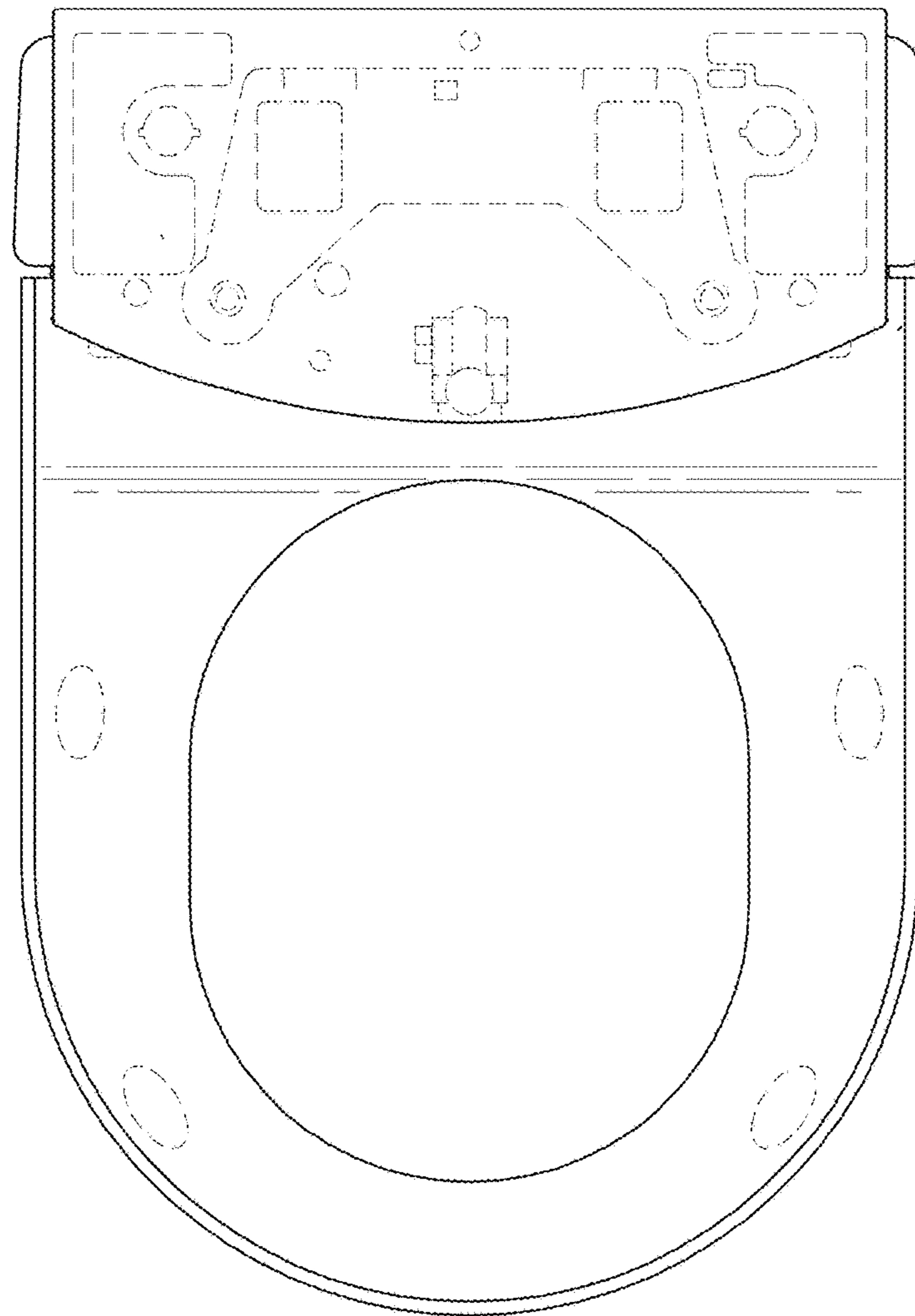


FIG. 7