

US00D866730S

(12) **United States Design Patent** (10) **Patent No.:** **US D866,730 S**  
**Grybush et al.** (45) **Date of Patent:** **\*\* Nov. 12, 2019**

(54) **SINK LEG**  
(71) Applicant: **Kohler Co.**, Kohler, WI (US)  
(72) Inventors: **Evan M. Grybush**, Kiel, WI (US);  
**Carrie N. Hack**, Sheboygan, WI (US);  
**Niels J. Eilmus**, Sheboygan, WI (US)  
(73) Assignee: **KOHLER CO.**, Kohler, WI (US)  
(\*\*) Term: **15 Years**

D89,200 S 2/1933 Kohler  
D93,329 S 9/1934 Crane  
D193,605 S 9/1962 Corp  
D238,231 S \* 12/1975 McClain ..... D6/709  
D291,492 S \* 8/1987 Noyce ..... D25/128  
D455,480 S \* 4/2002 McKeone ..... D23/308  
D506,891 S \* 7/2005 Paus ..... D6/712  
D624,993 S 10/2010 Thomas  
D624,994 S 10/2010 Thomas  
D652,901 S 1/2012 Didehvar  
D694,377 S 11/2013 Mustee  
D799,648 S 10/2017 Chong

\* cited by examiner

(21) Appl. No.: **29/622,795**  
(22) Filed: **Oct. 19, 2017**  
(51) **LOC (12) Cl.** ..... **23-02**  
(52) **U.S. Cl.**  
USPC ..... **D23/308**; D6/709  
(58) **Field of Classification Search**  
USPC ..... D23/284, 293.1, 287-292, 303, 308;  
D9/425; D6/709, 712; D26/153;  
D25/126-128  
CPC ..... A47K 1/04; A47B 77/06; A47J 47/20  
See application file for complete search history.

*Primary Examiner* — Lakiya G Rogers  
*Assistant Examiner* — John A Voytek  
(74) *Attorney, Agent, or Firm* — Foley & Lardner LLP

(57) **CLAIM**

We claim the ornamental design for a sink leg, as shown and described.

**DESCRIPTION**

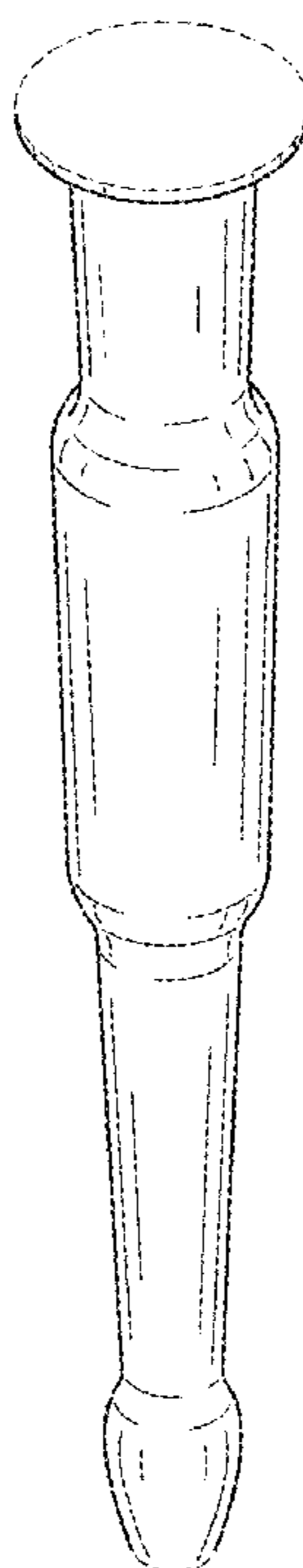
FIG. 1 is a top, front, left perspective view of the claimed design;  
FIG. 2 is a front elevation view thereof, the rear elevation view being a mirror of the front elevation view;  
FIG. 3 is a left side elevation view thereof, the right side elevation view being a mirror of the left side elevation view;  
FIG. 4 is a top plan view thereof; and, FIG. 5 is a bottom plan view thereof.  
The ornamental design which is claimed is shown in solid lines in the drawings.  
In the drawings, the broken lines depict portions of the sink leg that form no part of the claimed design.

(56) **References Cited**

U.S. PATENT DOCUMENTS

D19,711 S \* 3/1890 Torrance ..... D23/292  
D31,893 S \* 11/1899 Peet ..... D23/308  
D37,690 S 11/1905 Stover  
D41,841 S \* 10/1911 Gavin ..... D23/292  
D42,457 S \* 5/1912 Campbell ..... D23/292  
1,642,853 A 9/1927 Gloekler  
D75,582 S \* 6/1928 McFeely ..... D23/291  
D78,499 S 5/1929 Barton

**1 Claim, 5 Drawing Sheets**



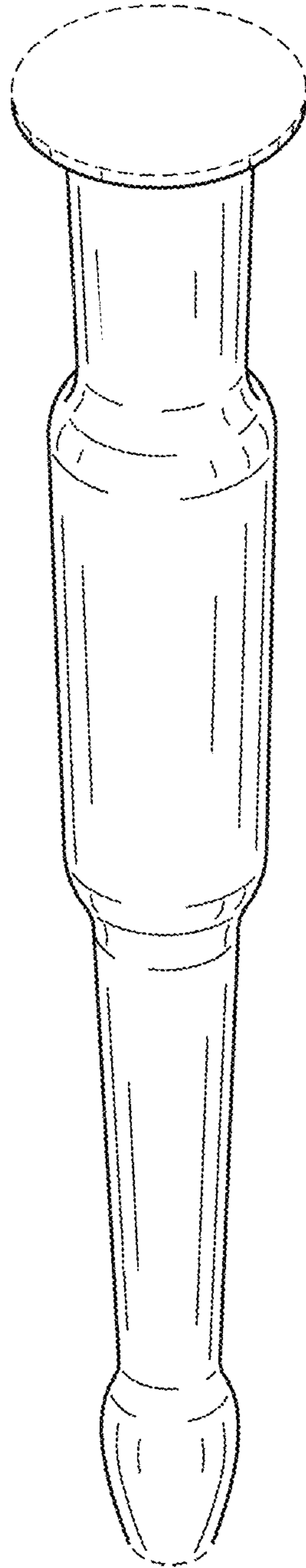


FIG. 1

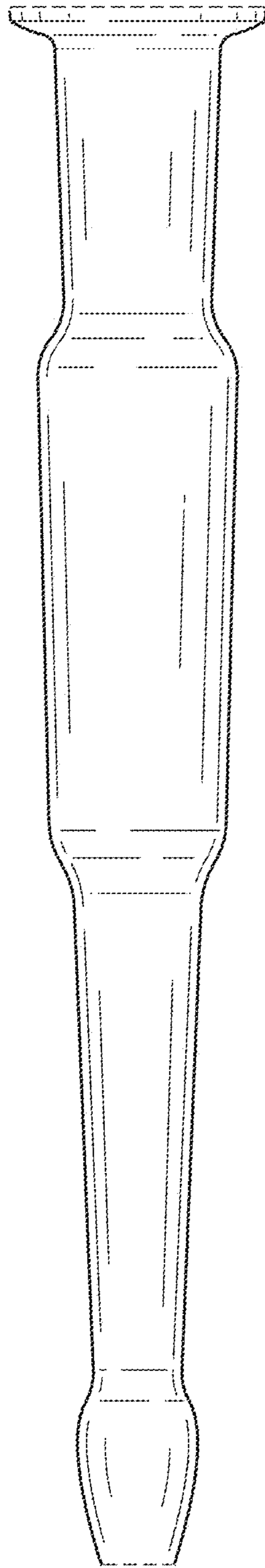


FIG. 2

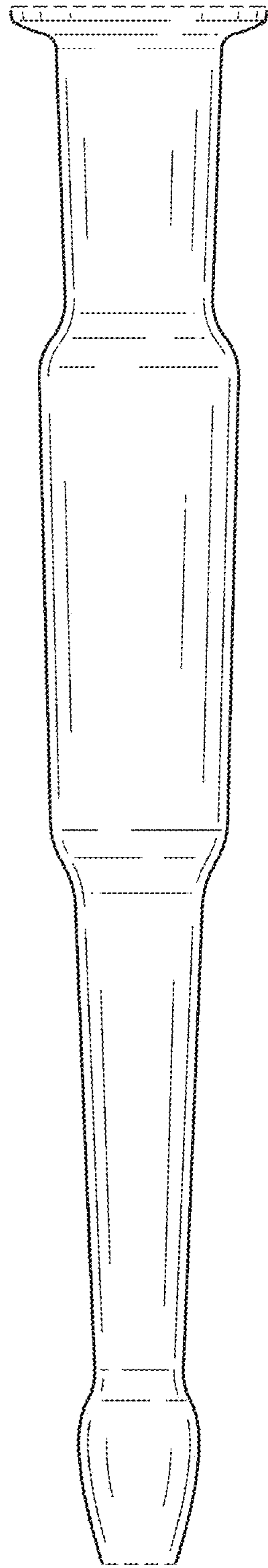


FIG. 3

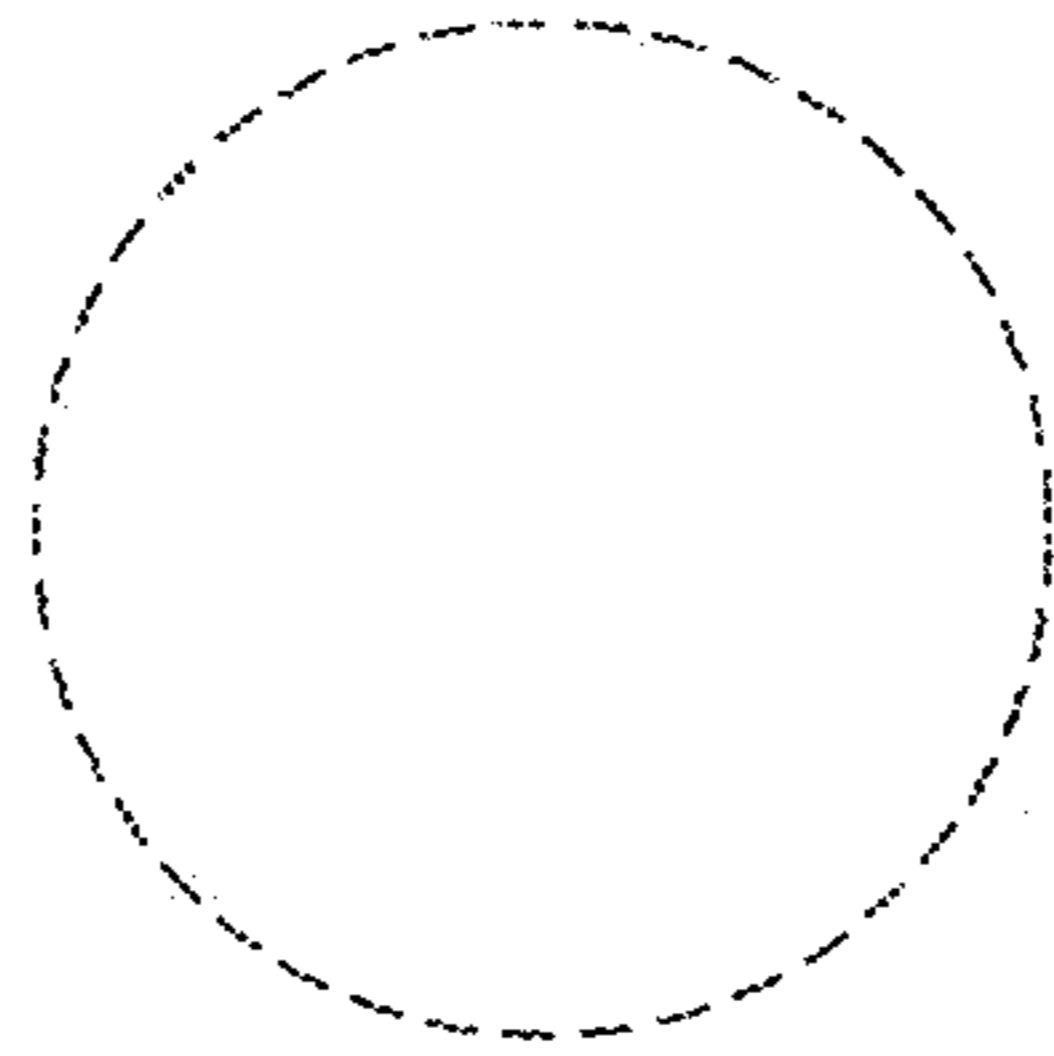


FIG. 4

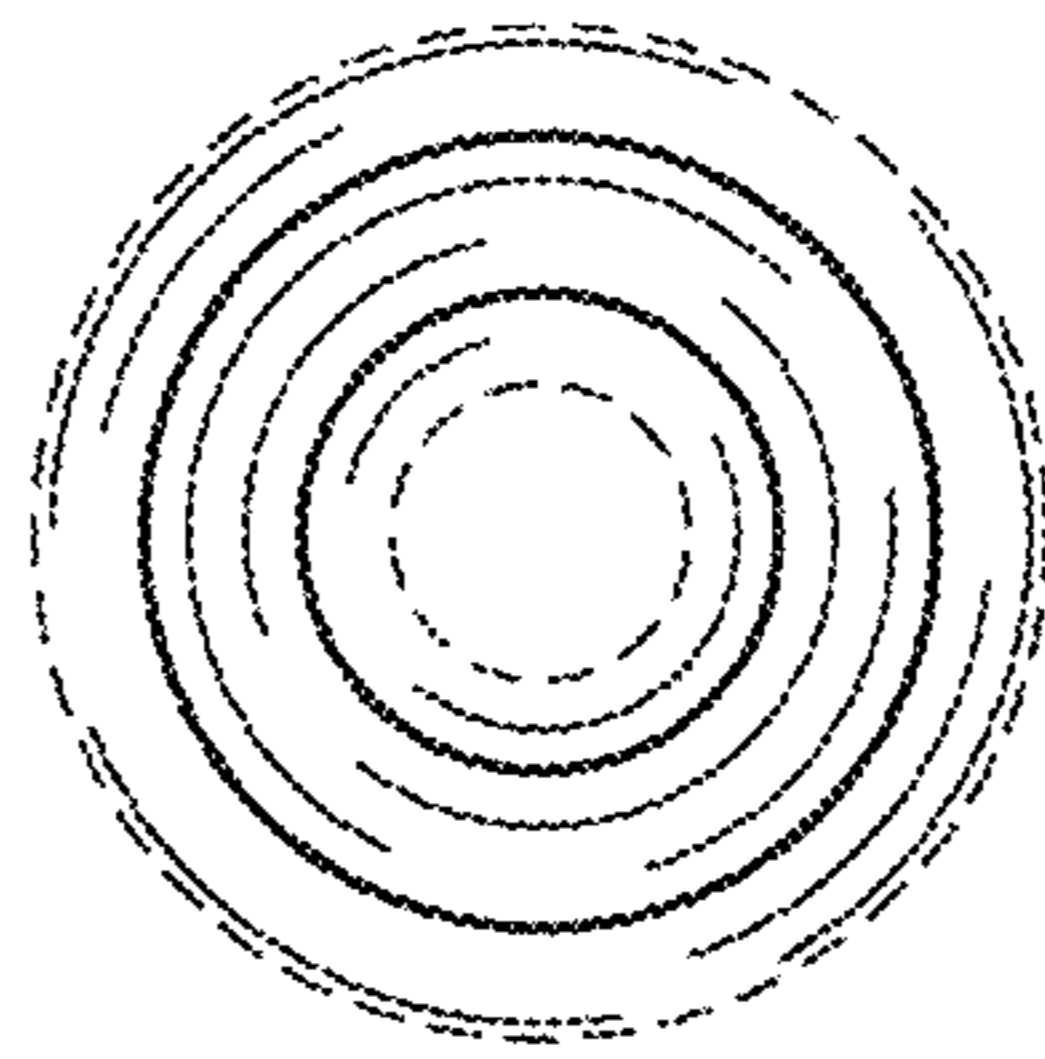


FIG. 5