



US00D866728S

(12) **United States Design Patent** (10) **Patent No.:** **US D866,728 S**
Kergoët (45) **Date of Patent:** **** Nov. 12, 2019**

(54) **BIDET**
(71) Applicant: **Kohler Co.**, Kohler, WI (US)
(72) Inventor: **François Kergoët**, Malakoff (FR)
(73) Assignee: **KOHLER CO.**, Kohler, WI (US)
(**) Term: **15 Years**
(21) Appl. No.: **29/645,850**
(22) Filed: **Apr. 30, 2018**
(51) **LOC (12) Cl.** **23-02**
(52) **U.S. Cl.**
USPC **D23/295**
(58) **Field of Classification Search**
USPC D23/295-301, 303, 309, 311-313
CPC A47K 11/02; A47K 11/026; A47K 11/00;
A47K 13/00; E03D 11/18; E03D 5/10;
E03D 13/00
See application file for complete search history.

(56) **References Cited**
U.S. PATENT DOCUMENTS
D443,346 S * 6/2001 Kawamura D23/295
D465,562 S * 11/2002 Moore D23/295
D523,541 S 6/2006 Soulier
D621,487 S * 8/2010 Toyohara D23/300
D639,406 S 6/2011 Bickerstaffe et al.
D693,910 S 11/2013 Bates et al.
D693,912 S 11/2013 Fullerton, Jr. et al.
D701,949 S 4/2014 Bates et al.
D703,796 S 4/2014 McKeone et al.
D703,797 S * 4/2014 Shinozaki D23/300
D801,493 S * 10/2017 Bates D23/309

D811,562 S * 2/2018 Snyder D23/295
D844,118 S * 3/2019 Jeong D23/295
2006/0112478 A1* 6/2006 Kolar E03D 5/01
4/300

OTHER PUBLICATIONS

Kohler 2016 Fixtures Price book pp. 314-347.

* cited by examiner

Primary Examiner — Lakiya G Rogers

Assistant Examiner — John A Voytek

(74) *Attorney, Agent, or Firm* — Foley & Lardner LLP

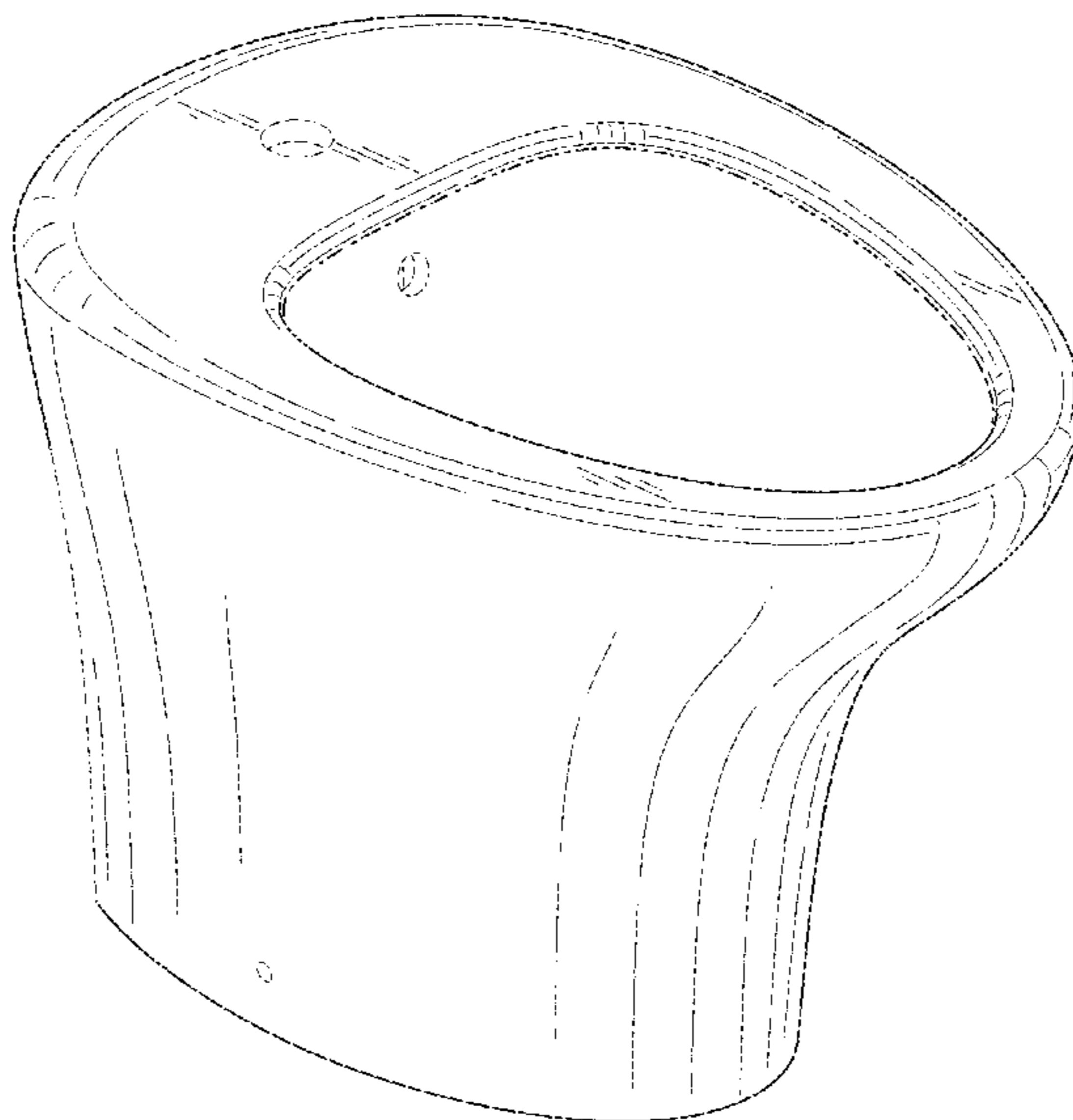
(57) **CLAIM**

I claim the ornamental design for a bidet, as shown and described.

DESCRIPTION

FIG. 1 is a perspective view of an embodiment of the claimed design;
FIG. 2 is a front view of the claimed design shown in FIG. 1;
FIG. 3 is a rear view of the claimed design shown in FIG. 1;
FIG. 4 is a top view of the claimed design shown in FIG. 1;
FIG. 5 is a bottom view of the claimed design shown in FIG. 1;
FIG. 6 is a side view of the claimed design shown in FIG. 1; and,
FIG. 7 is another side view of the claimed design shown in FIG. 1.
In the drawings, the broken lines form no part of the claimed design. The evenly spaced dashed lines show portions of the bidet, and the dot and dashed lines indicate a boundary between the claimed and unclaimed portion of the design.

1 Claim, 7 Drawing Sheets



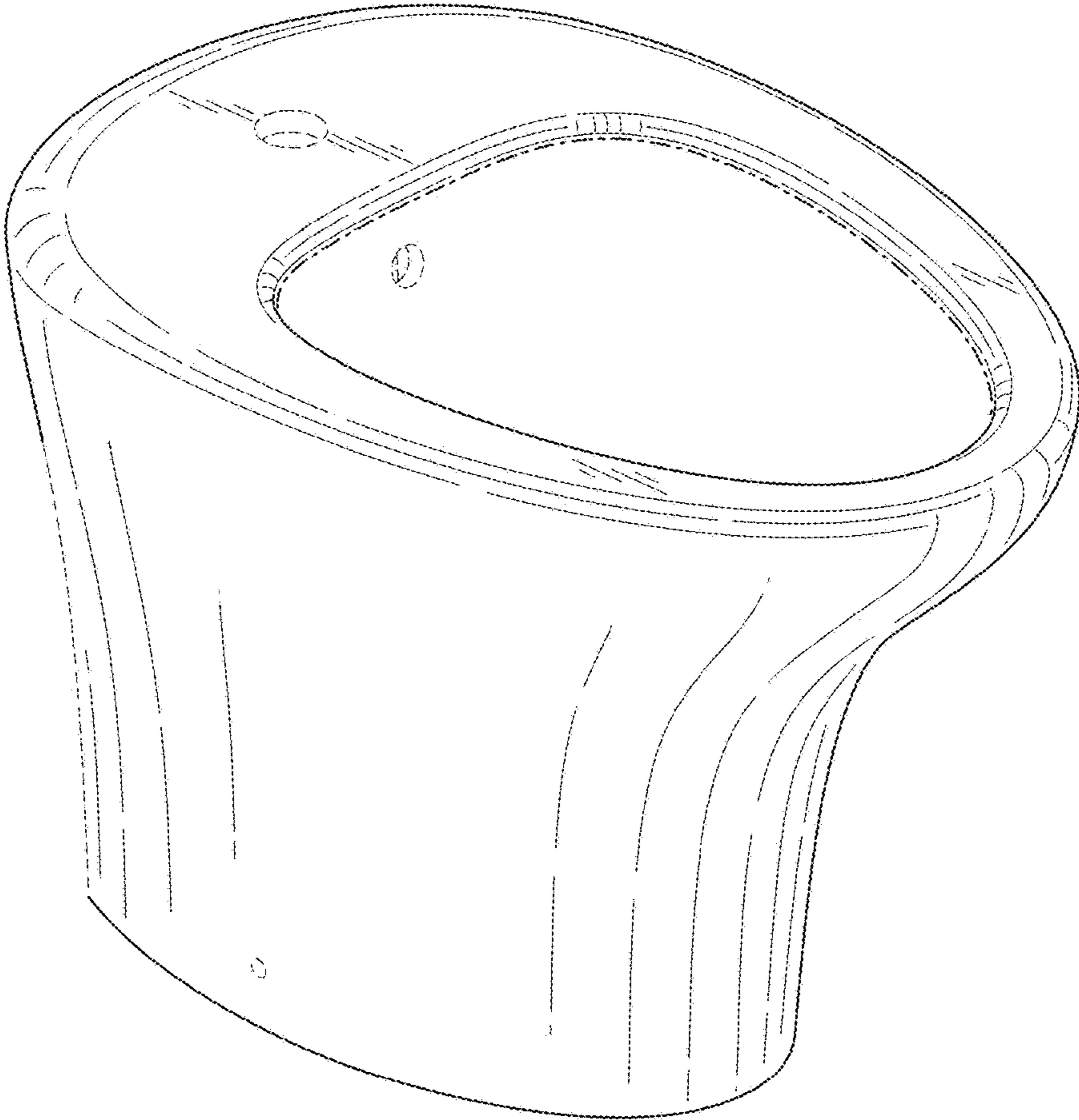


FIG. 1

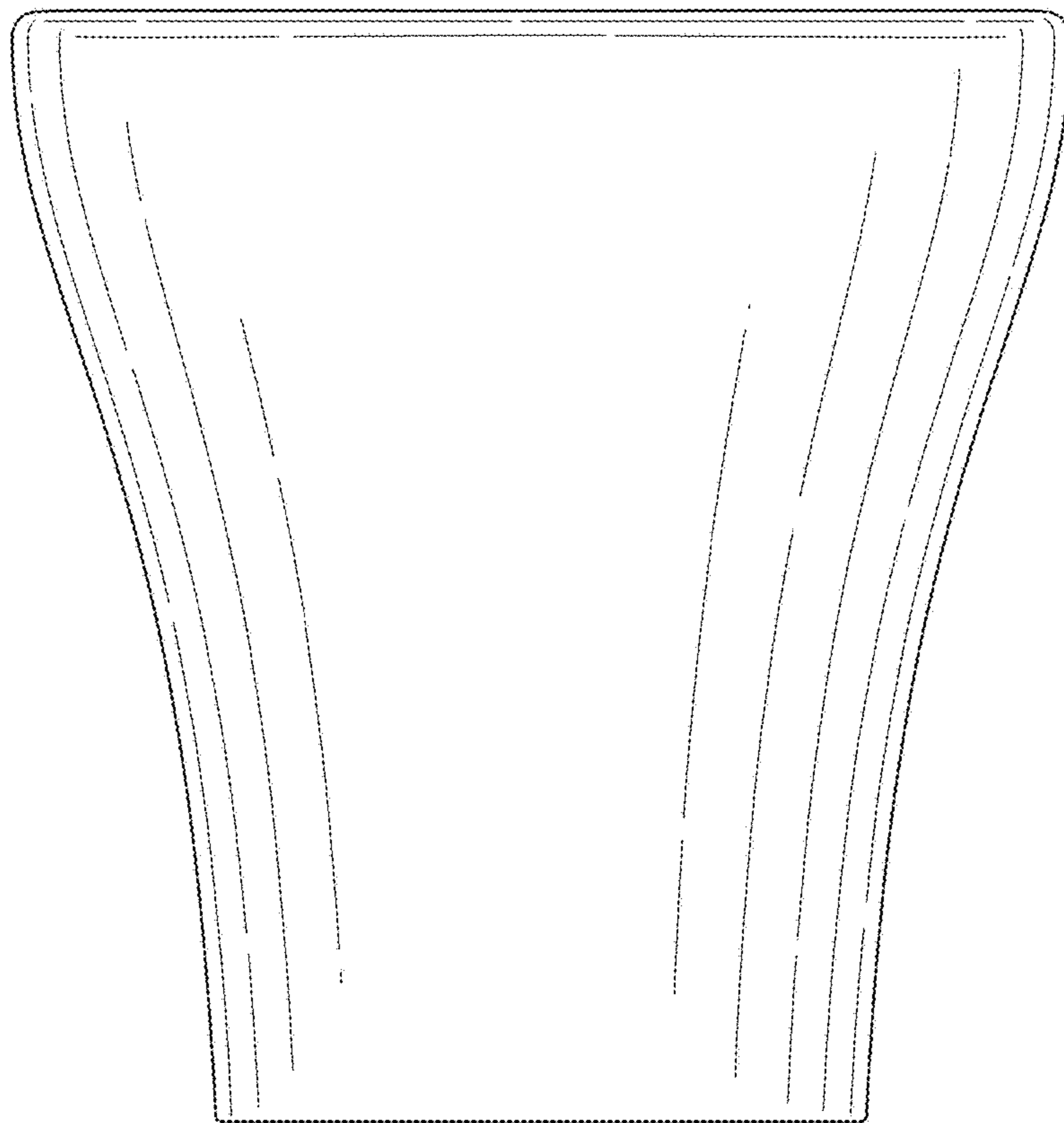


FIG. 2

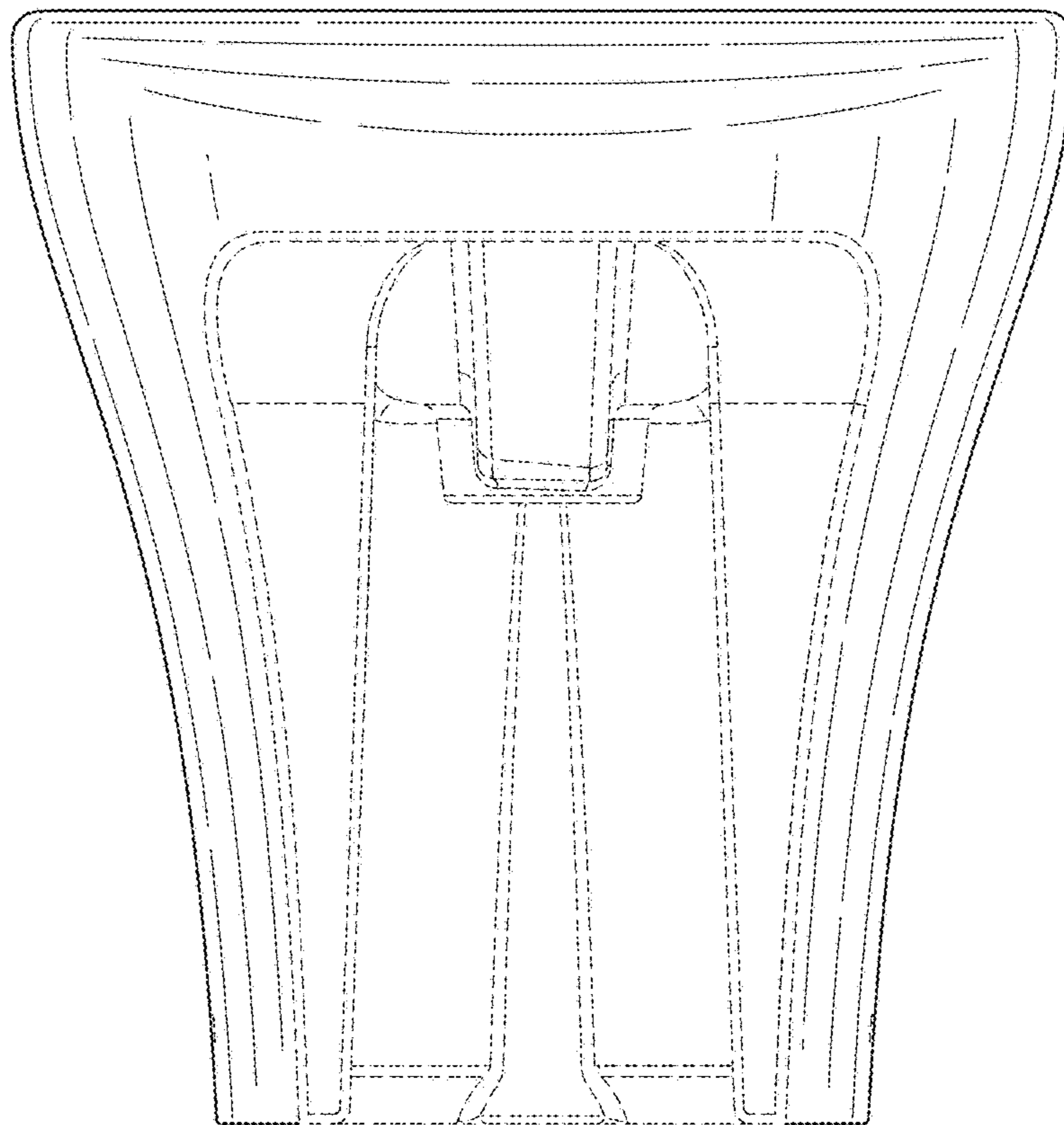


FIG. 3

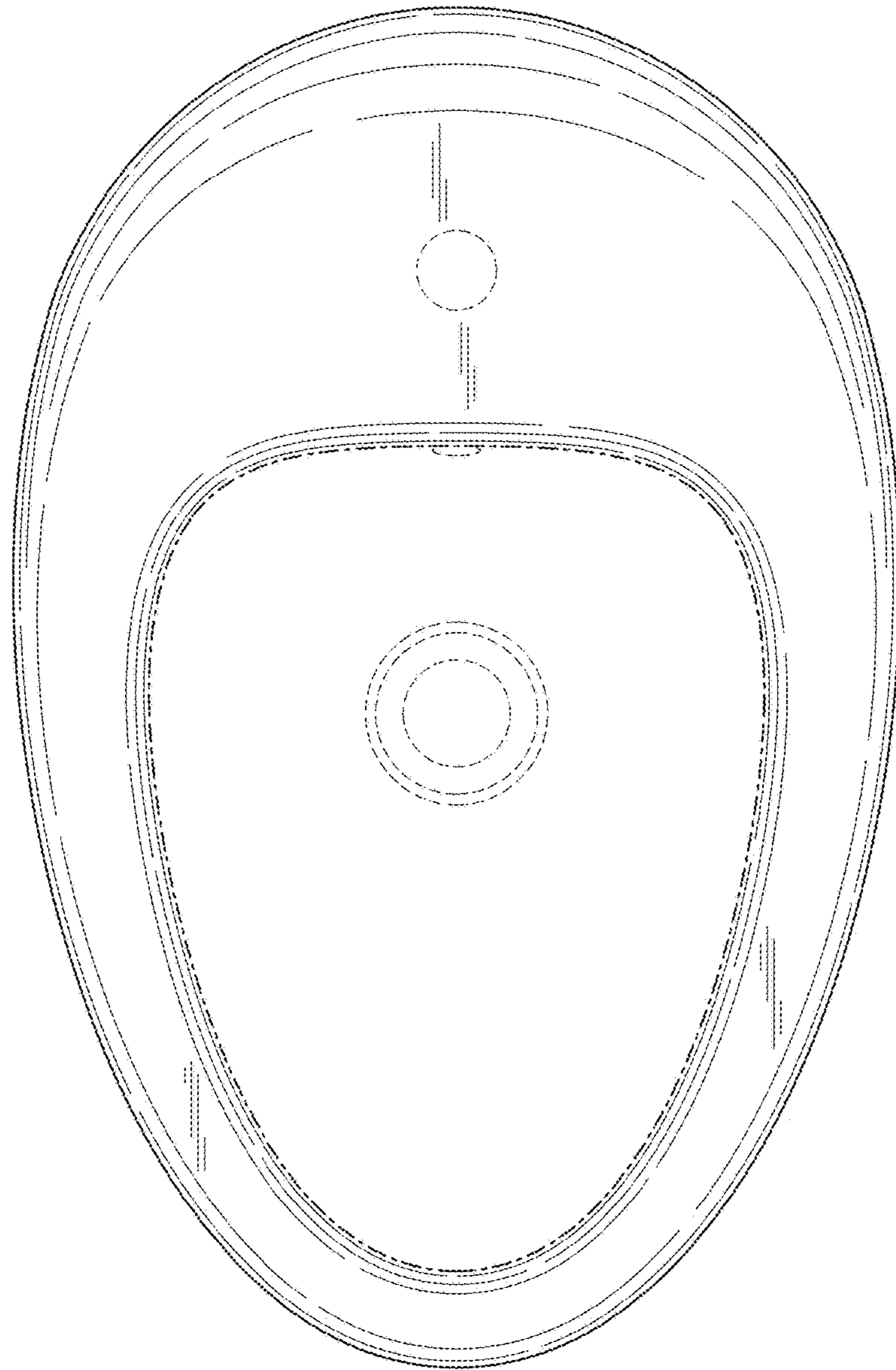


FIG. 4

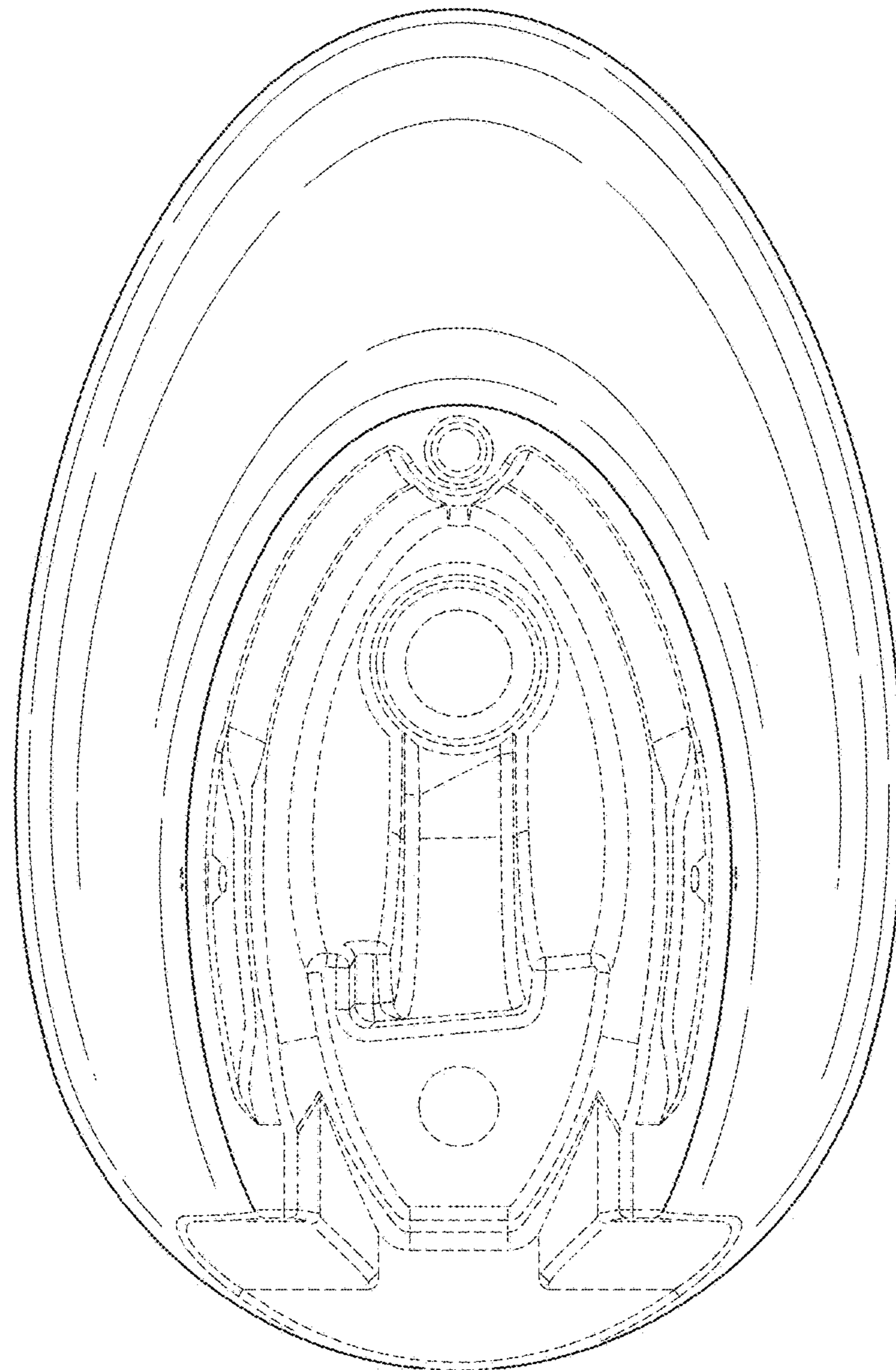


FIG. 5

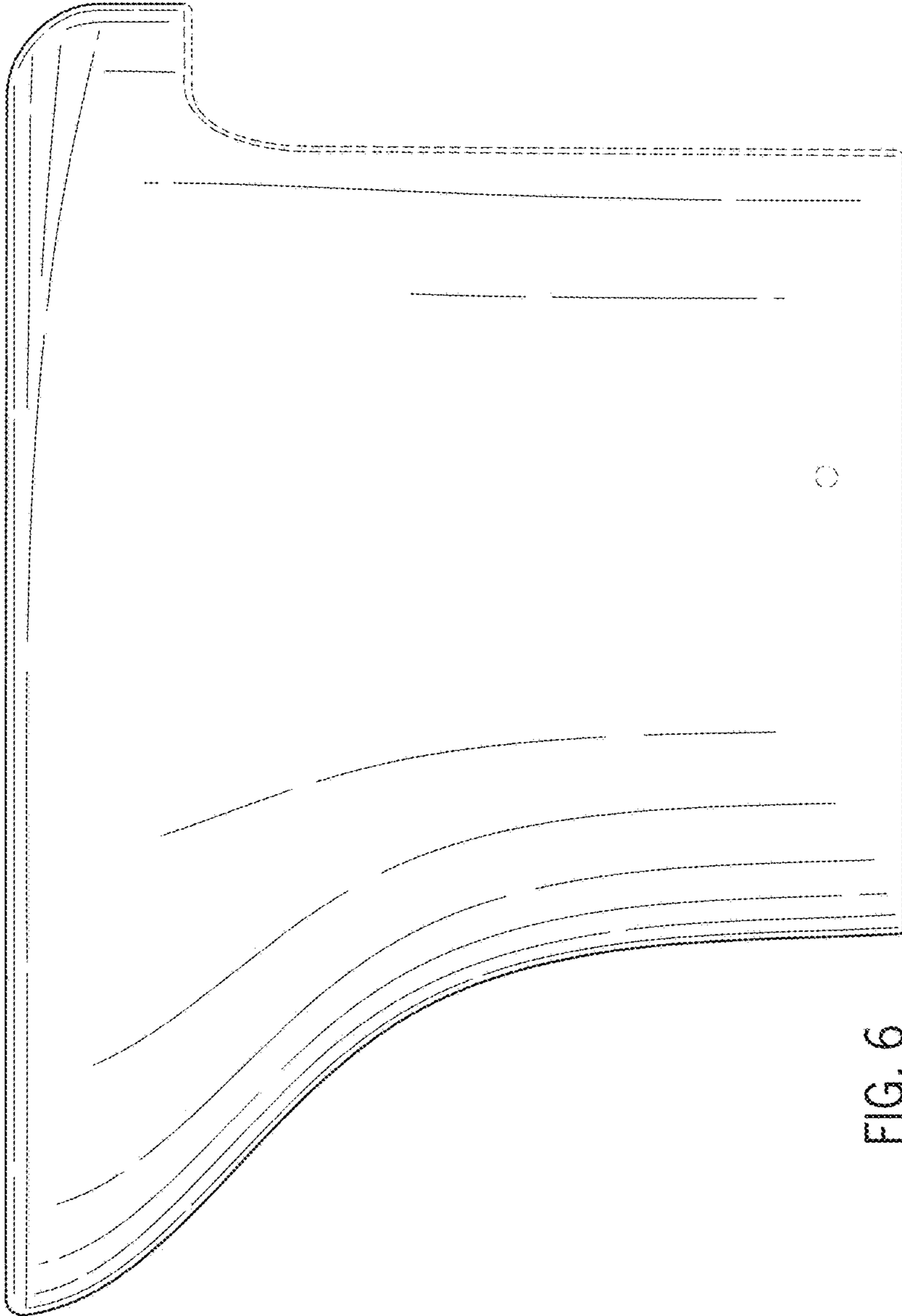


FIG. 6

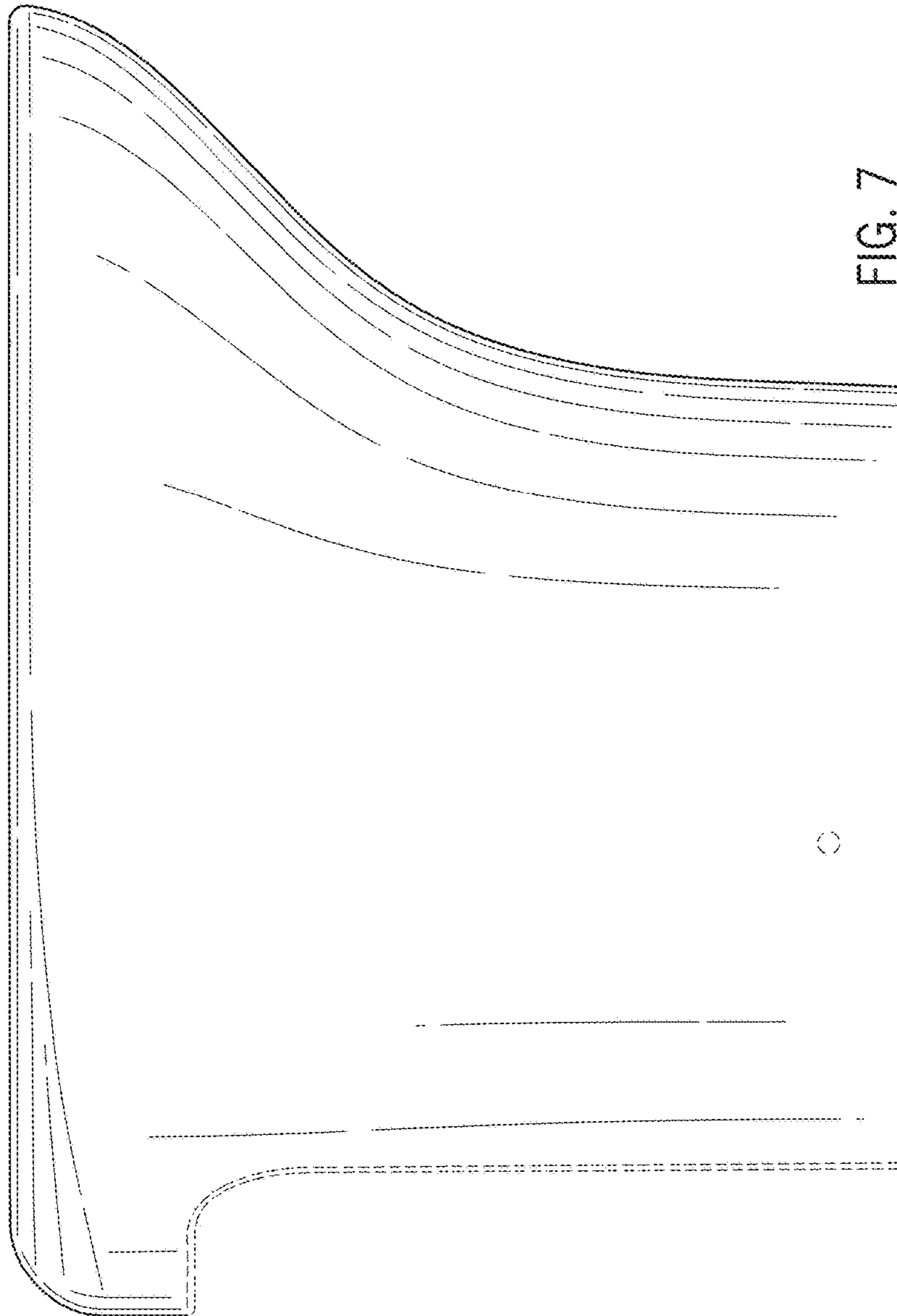


FIG. 7