



US00D866727S

(12) **United States Design Patent**
Chen et al.

(10) **Patent No.:** **US D866,727 S**

(45) **Date of Patent:** **** Nov. 12, 2019**

(54) **SINK**

(71) Applicant: **Guangdong Yingao Kitchen Utensils Co., Ltd.**, Foshan, Guangdong (CN)

(72) Inventors: **Jiazhi Chen**, Guangdong (CN);
Huakun Liang, Guangdong (CN)

(73) Assignee: **GUANGDONG YINGAO KITCHEN UTENSILS CO., LTD.**, Foshan (CN)

(**) Term: **15 Years**

(21) Appl. No.: **29/635,729**

(22) Filed: **Feb. 2, 2018**

(30) **Foreign Application Priority Data**

Dec. 11, 2017 (CN) 2017 3 0627876

(51) **LOC (12) Cl.** **23-02**

(52) **U.S. Cl.**
USPC **D23/293.1**

(58) **Field of Classification Search**
USPC ... D23/270, 284, 285, 290, 289, 293.1, 303,
D23/308, 499; D6/524, 573, 663-666,
D6/671
CPC ... E03C 1/12; E03C 1/18; E03C 1/181; A47K
1/04; A47B 77/06; A47J 47/20
See application file for complete search history.

(56) **References Cited**

U.S. PATENT DOCUMENTS

D547,837 S * 7/2007 Ziemann D23/290

D620,091 S * 7/2010 Eckhaus D23/308
D670,364 S * 11/2012 Miller D23/290
D699,824 S * 2/2014 Eckhaus D23/285
D705,404 S * 5/2014 Anzellini D23/293.1
D804,620 S * 12/2017 Palazzolo D23/290
D810,895 S * 2/2018 Schoenherr D23/290
D816,197 S * 4/2018 Chong D23/290

* cited by examiner

Primary Examiner — Sheryl Lane

Assistant Examiner — Samantha N Wood

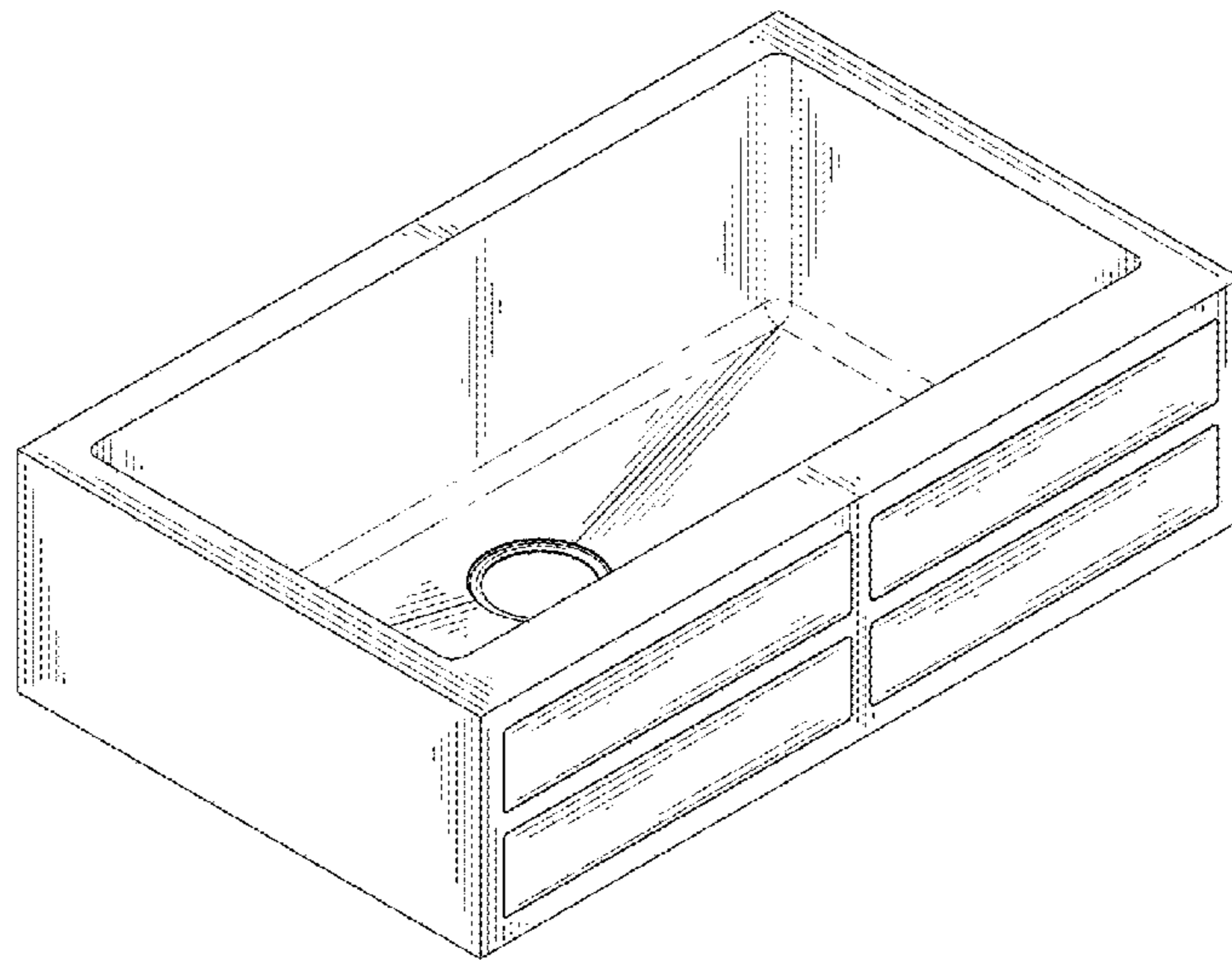
(57) **CLAIM**

The ornamental design for a sink, as shown and described.

DESCRIPTION

FIG. 1 is a first perspective view of a sink showing our new design;
FIG. 2 is a second perspective view of FIG. 1;
FIG. 3 is a front elevational view of FIG. 1;
FIG. 4 is a rear elevational view of FIG. 1;
FIG. 5 is a left side view of FIG. 1;
FIG. 6 is a right side view of FIG. 1;
FIG. 7 is a top plan view of FIG. 1; and,
FIG. 8 is a bottom plan view of FIG. 1.
The broken lines in the drawings depict portions of the sink, which form no part of the claimed design.

1 Claim, 8 Drawing Sheets



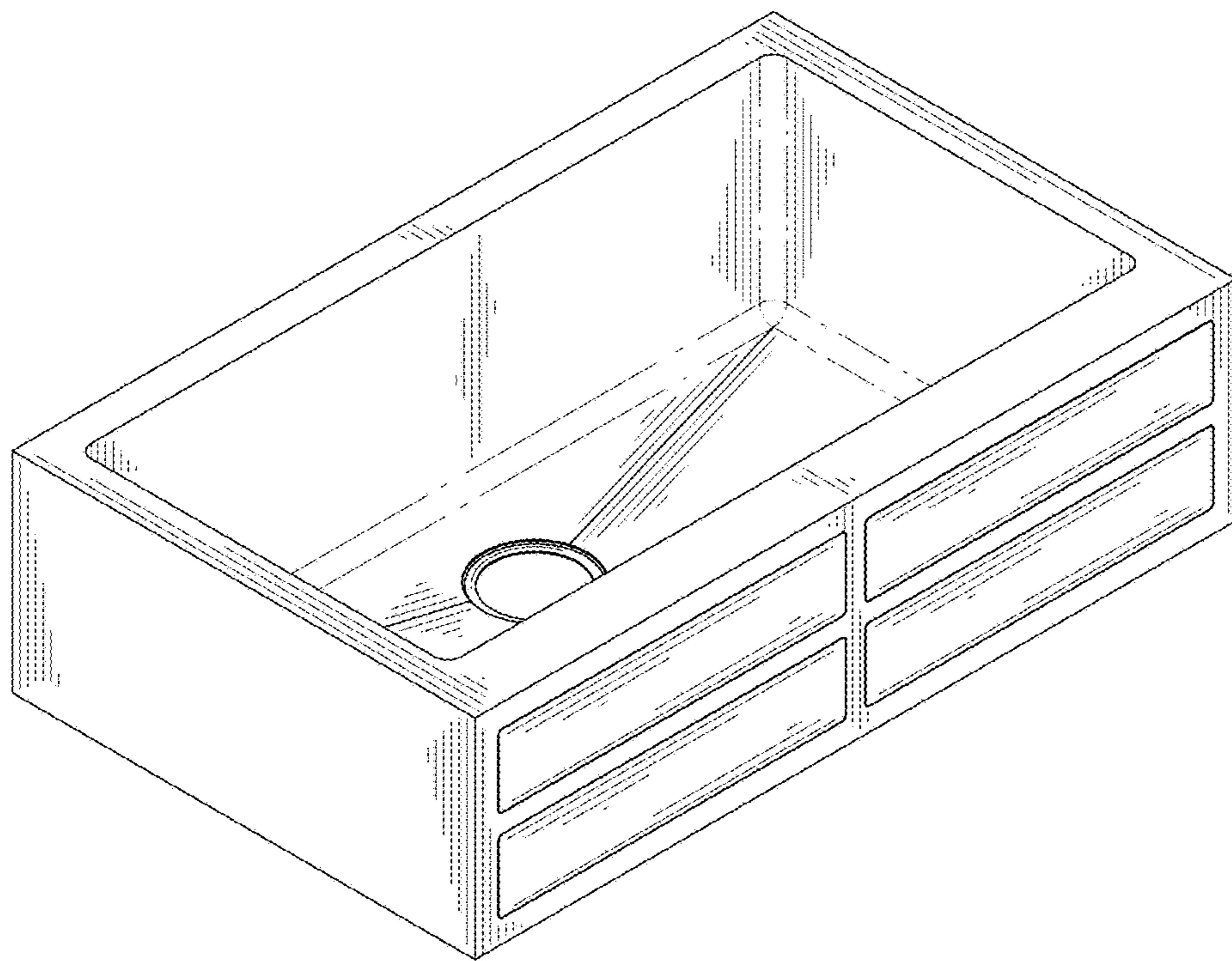


FIG. 1

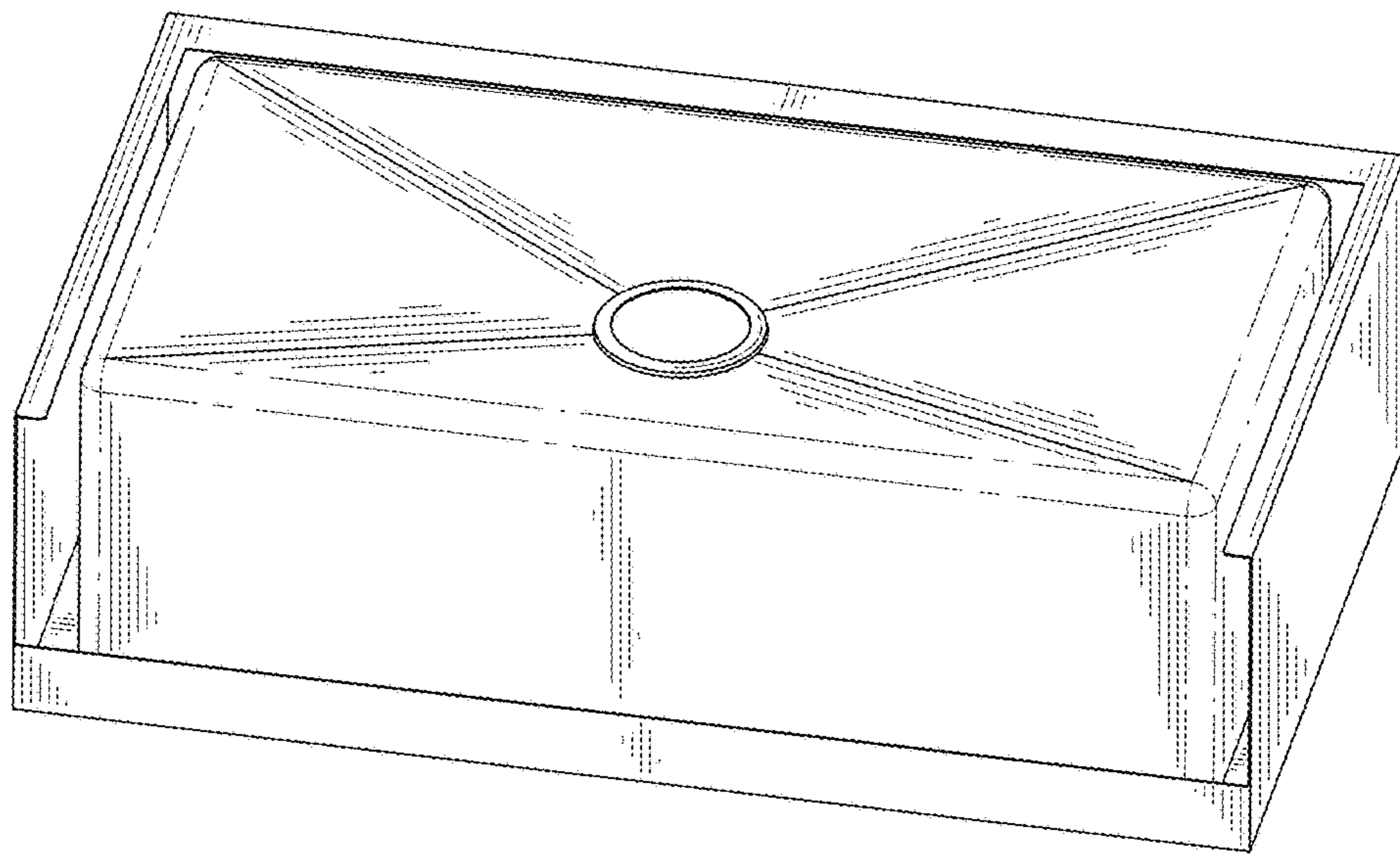


FIG. 2

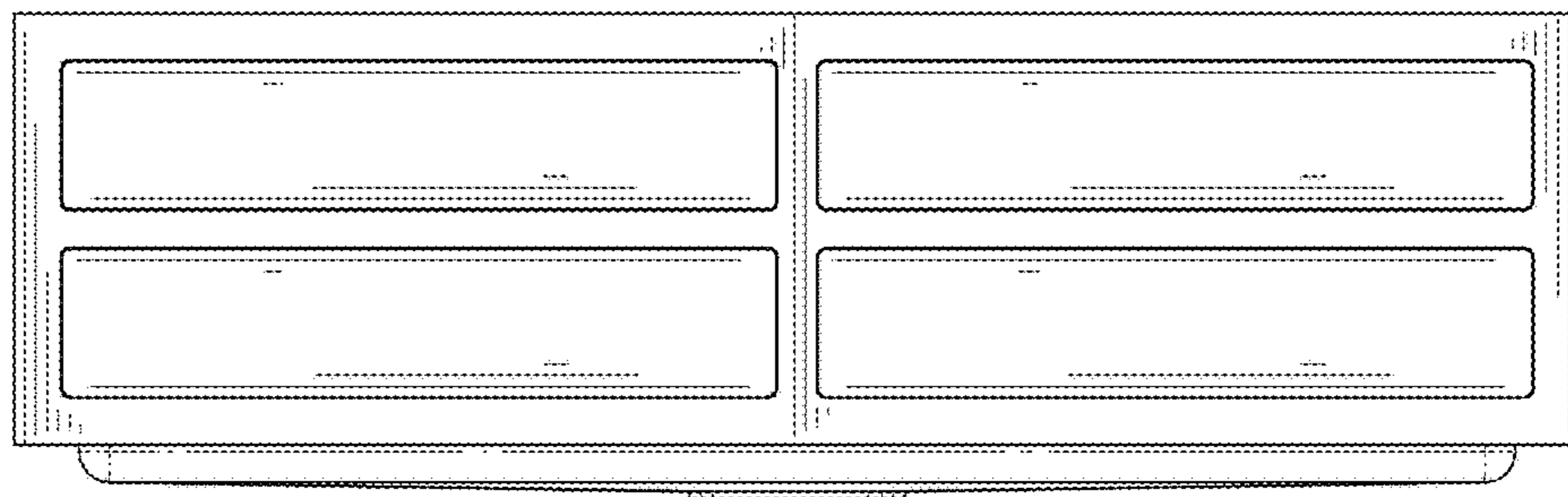


FIG. 3

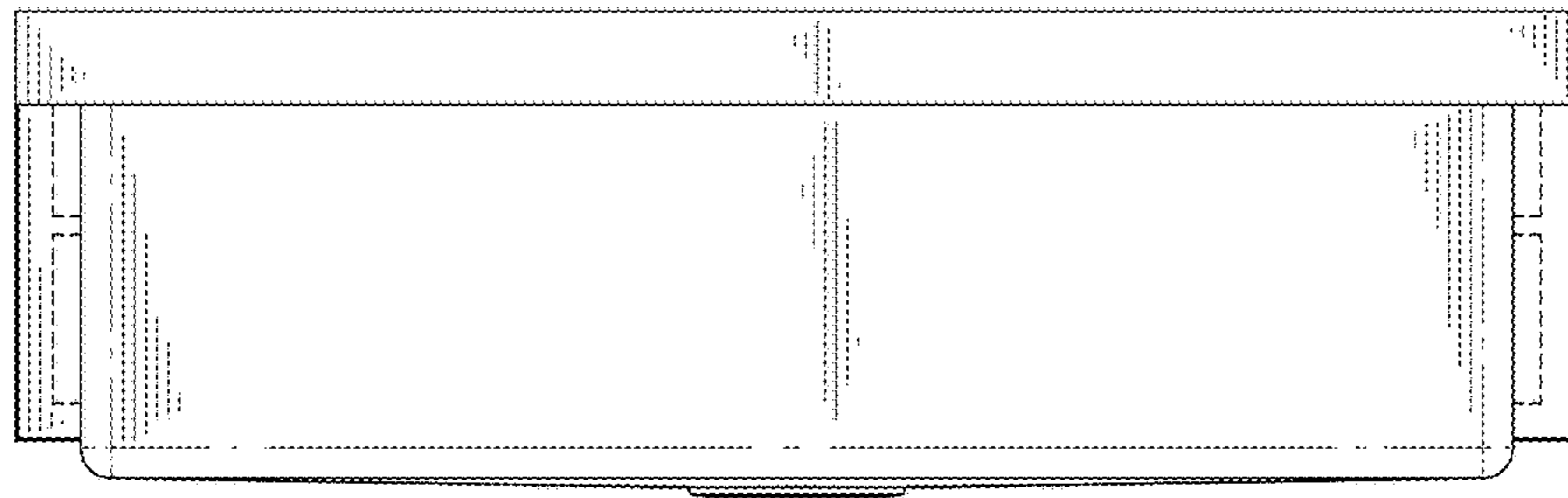


FIG. 4

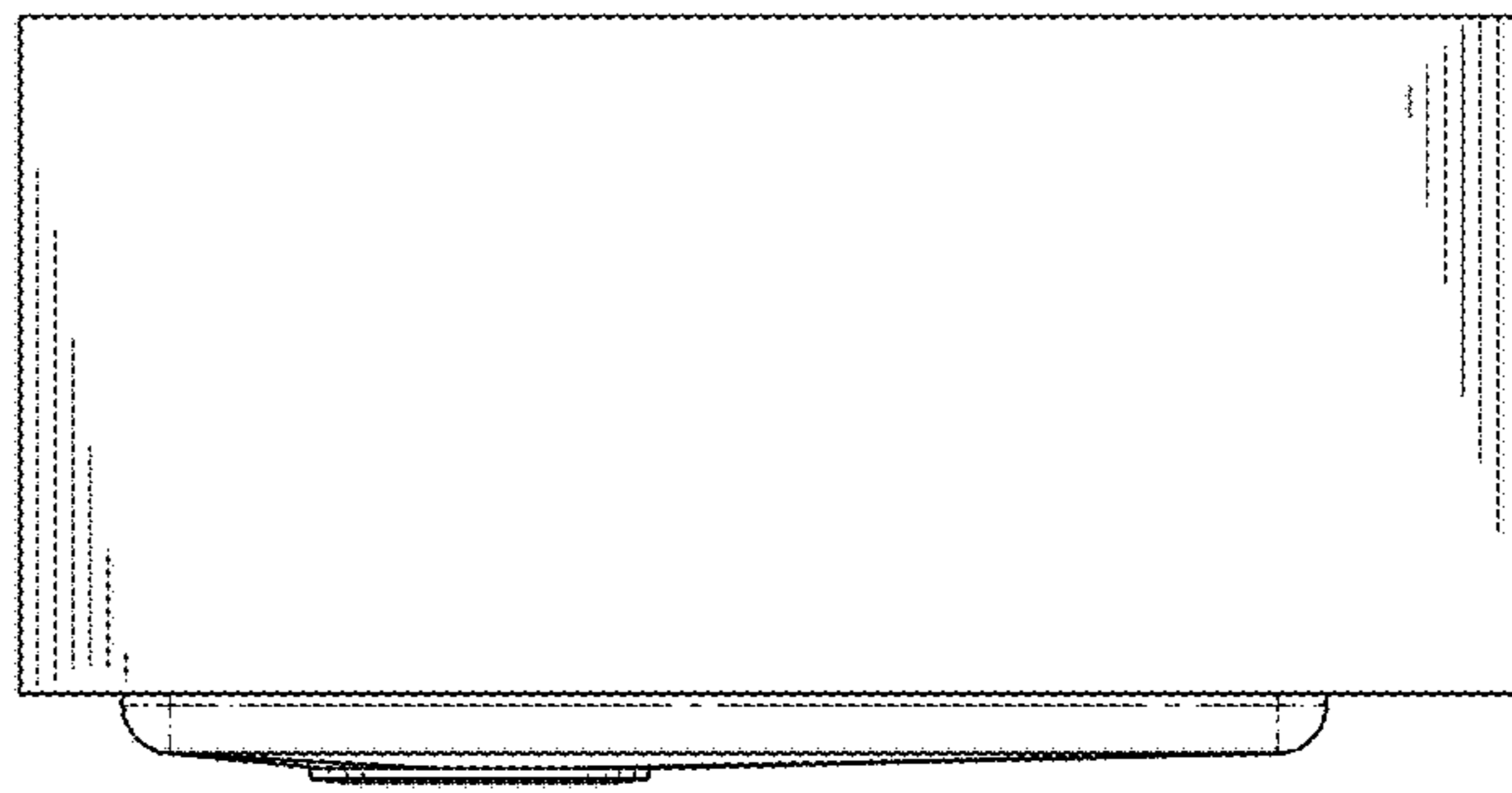


FIG. 5

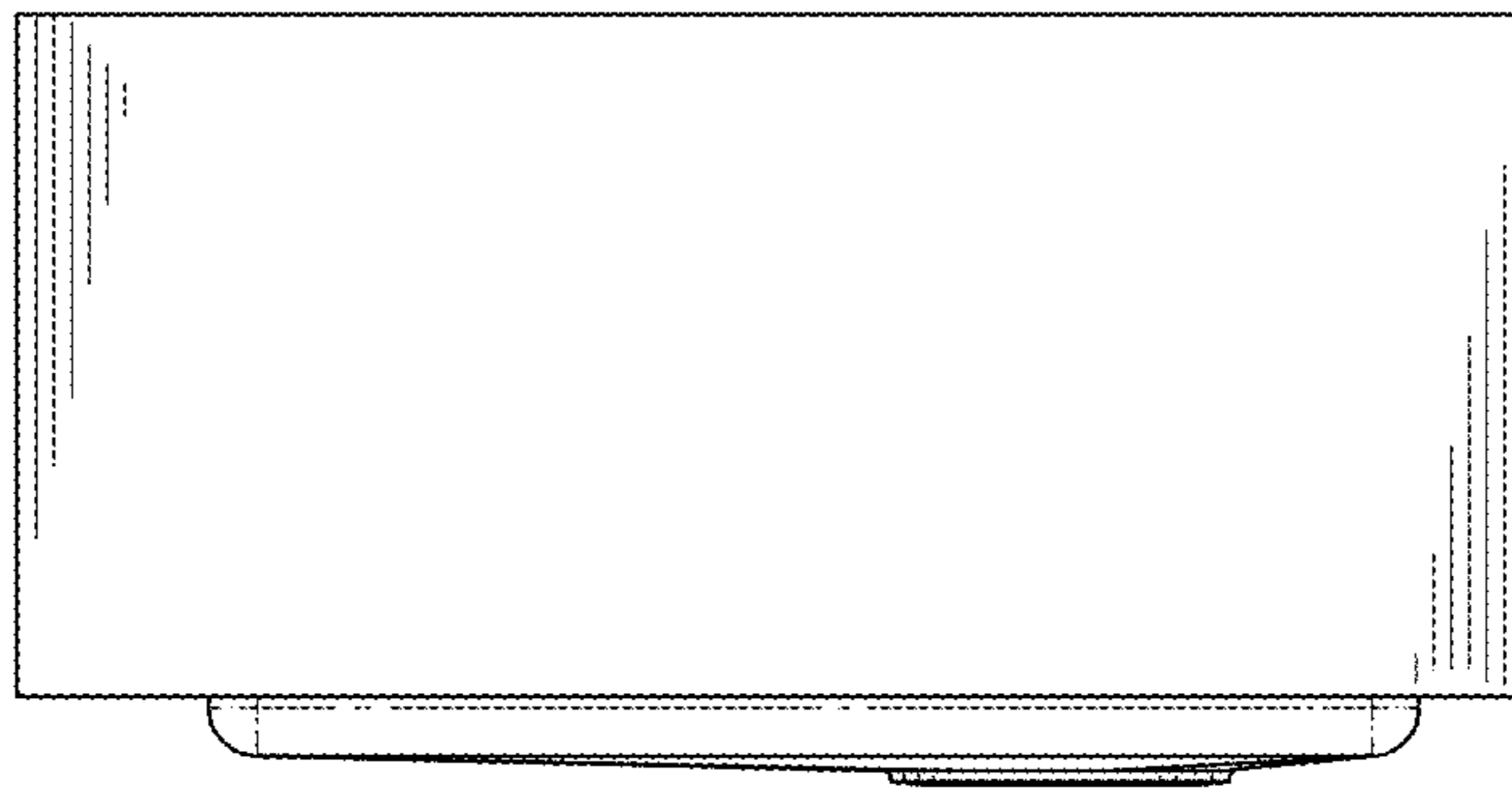


FIG. 6

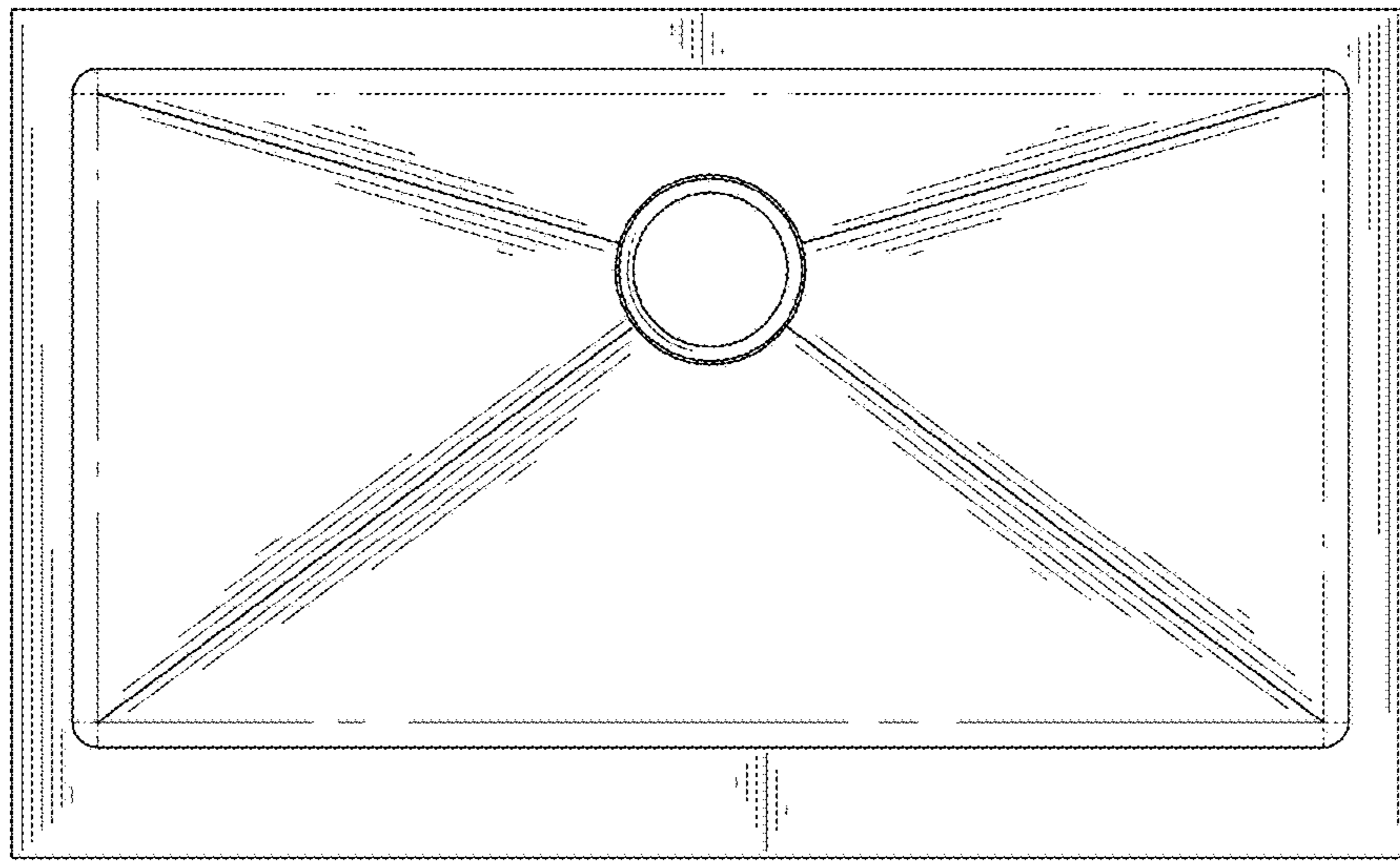


FIG. 7

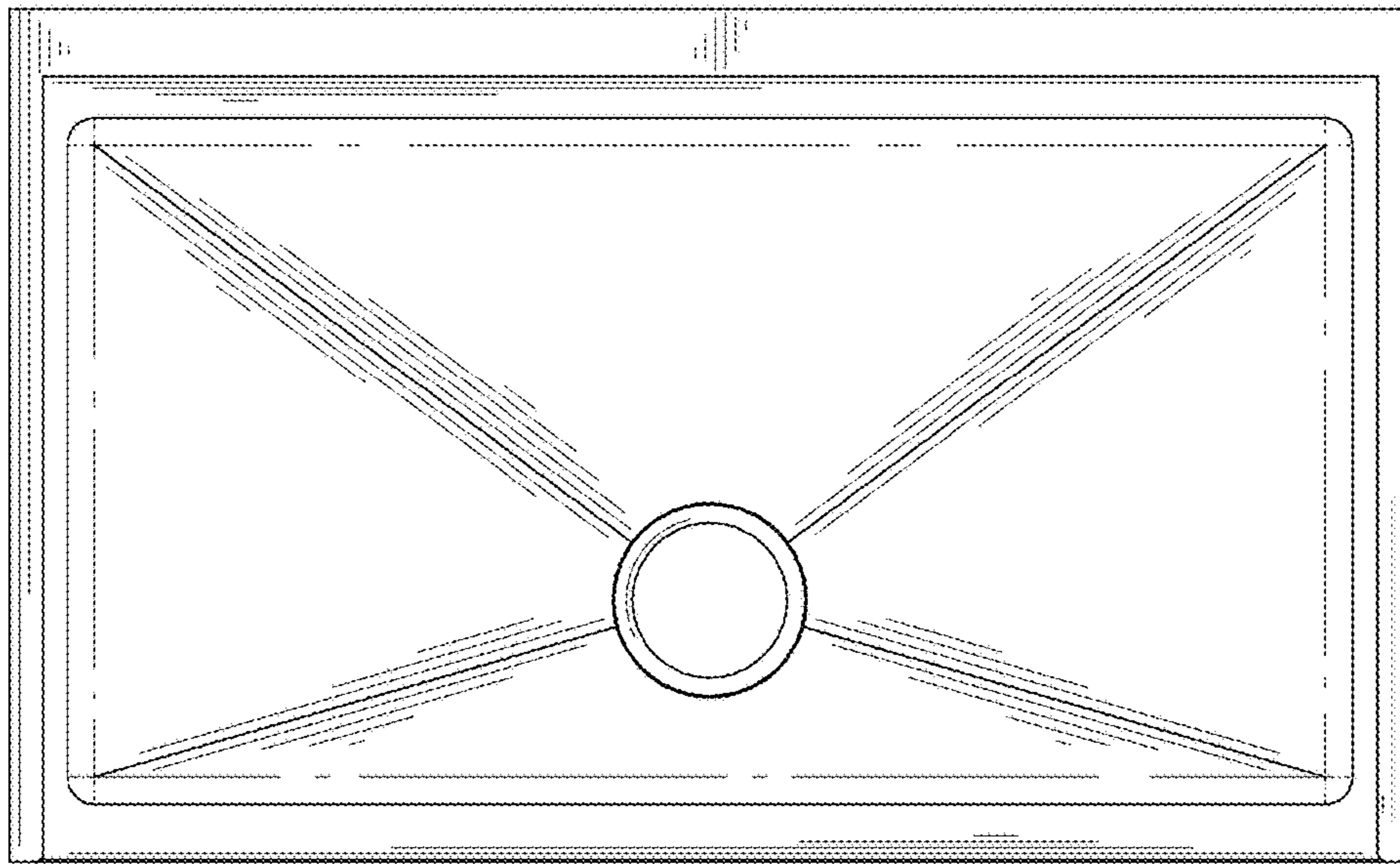


FIG. 8