



US00D866725S

(12) **United States Design Patent**
Flowers et al.

(10) **Patent No.:** **US D866,725 S**

(45) **Date of Patent:** **** Nov. 12, 2019**

(54) **CERAMICS**

(71) Applicant: **Grohe AG**, Hemer (DE)

(72) Inventors: **Paul Flowers**, London (GB);
Alessandra De Simone, Duesseldorf (DE);
Duarte Salvador, Duesseldorf (DE);
Jochen Allard, Menden (DE);
Patrick De Arins Speck, Curitiba-PR (BR);
Hans Lobermeier, Menden (DE);
Antoine Besseyre Des Horts, Meerbusch (DE)

(73) Assignee: **Grohe AG**, Hemer (DE)

(**) Term: **15 Years**

(21) Appl. No.: **29/679,571**

(22) Filed: **Feb. 7, 2019**

Related U.S. Application Data

(63) Continuation of application No. 29/625,115, filed on Nov. 7, 2017, now Pat. No. Des. 846,101, which is a
(Continued)

(30) **Foreign Application Priority Data**

Mar. 9, 2015	(EM)	002649046-0001
Mar. 9, 2015	(EM)	002649046-0003
Mar. 9, 2015	(EM)	002649046-0004
Mar. 9, 2015	(EM)	002649046-0007
Mar. 9, 2015	(EM)	002649046-0010
Mar. 9, 2015	(EM)	002649046-0011
Mar. 9, 2015	(EM)	002649046-0012
Mar. 9, 2015	(EM)	002649046-0013
Mar. 9, 2015	(EM)	002649046-0015
Mar. 9, 2015	(EM)	002649046-0016
Mar. 9, 2015	(EM)	002649046-0021
Mar. 9, 2015	(EM)	002649046-0022
Mar. 9, 2015	(EM)	002649046-0023
Mar. 9, 2015	(EM)	002649046-0027

Mar. 9, 2015	(EM)	002649046-0029
Mar. 9, 2015	(EM)	002649046-0030
Mar. 9, 2015	(EM)	002649046-0031

(Continued)

(51) **LOC (12) Cl.** **23-01**

(52) **U.S. Cl.**
USPC **D23/284**

(58) **Field of Classification Search**
USPC D23/284, 288, 290, 308
See application file for complete search history.

(56) **References Cited**

U.S. PATENT DOCUMENTS

D603,486 S	*	11/2009	Mayer	D23/293.1
D607,979 S	*	1/2010	Jiang	D23/293.1

(Continued)

Primary Examiner — Robert A Delehanty

(74) *Attorney, Agent, or Firm* — Muncy, Geissler, Olds & Lowe, P.C.

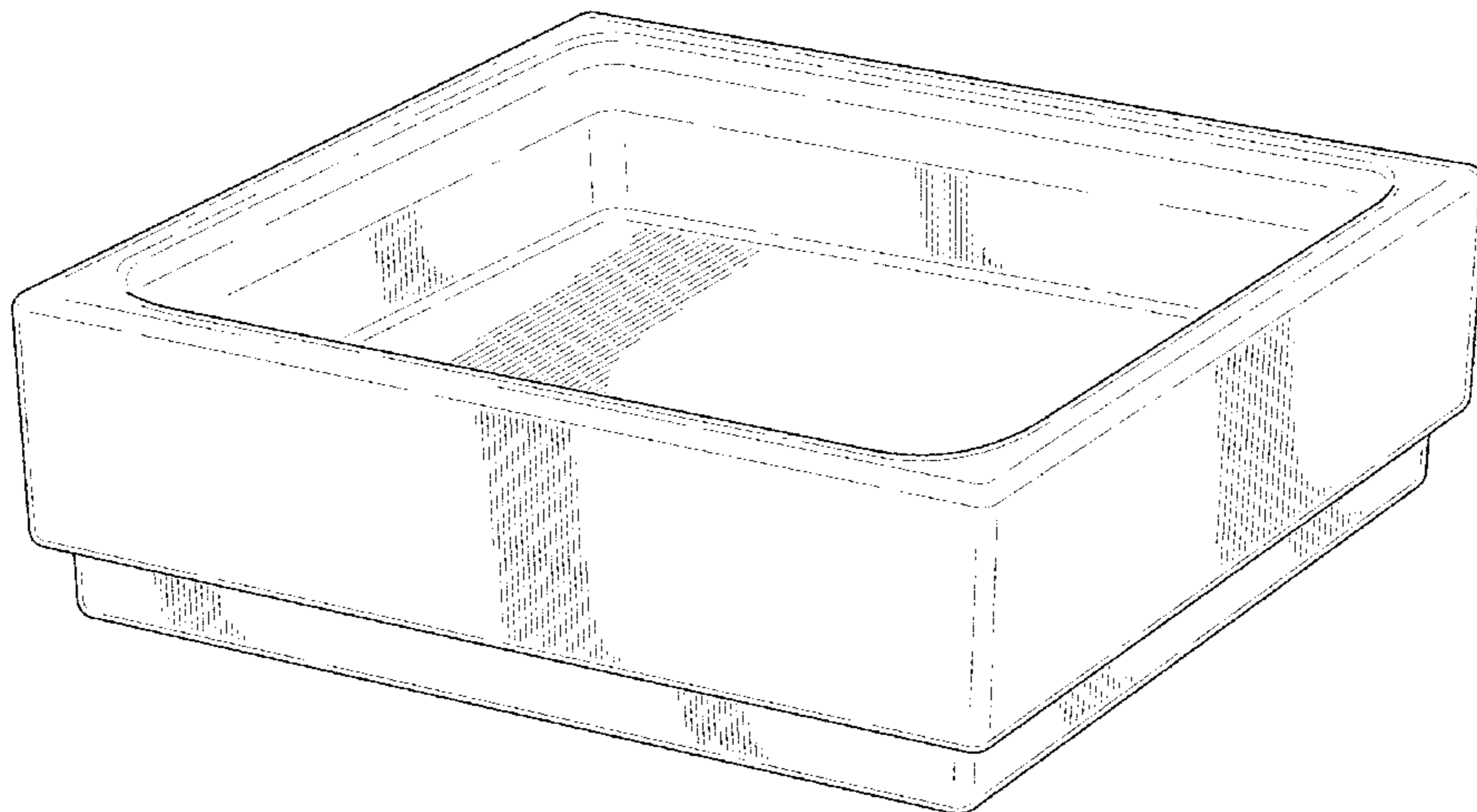
(57) **CLAIM**

The ornamental design for a ceramics, as shown and described.

DESCRIPTION

FIG. 1 is a front perspective view of a ceramics according to the present invention.
FIG. 2 is a left side view of the ceramics of FIG. 1.
FIG. 3 is a right side view of the ceramics of FIG. 1.
FIG. 4 is a top view of the ceramics of FIG. 1.
FIG. 5 is a bottom view of the ceramics of FIG. 1.
FIG. 6 is a front view of the ceramics of FIG. 1; and,
FIG. 7 is a rear view of the ceramics of FIG. 1.
The dashed lines illustrate environment that does not form a part of the present invention, and no claim is made to the material illustrated with dashed lines.

1 Claim, 7 Drawing Sheets



Related U.S. Application Data

continuation of application No. 29/590,354, filed on Jan. 10, 2017, now Pat. No. Des. 806,216, which is a continuation of application No. 29/567,807, filed on Jun. 13, 2016, now Pat. No. Des. 780,300, which is a continuation of application No. 29/538,912, filed on Sep. 9, 2015, now Pat. No. Des. 761,400.

(30) **Foreign Application Priority Data**

Mar. 9, 2015 (EM) 002649046-0032
 Mar. 9, 2015 (EM) 002649046-0036
 Mar. 9, 2015 (EM) 002649046-0038
 Mar. 9, 2015 (EM) 002649046-0039
 Mar. 9, 2015 (EM) 002649046-0040
 Mar. 9, 2015 (EM) 002649046-0041
 Mar. 9, 2015 (EM) 002649046-0042
 Mar. 9, 2015 (EM) 002649046-0043
 Mar. 9, 2015 (EM) 002649046-0045
 Mar. 9, 2015 (EM) 002649046-0046
 Mar. 9, 2015 (EM) 002649046-0047
 Mar. 9, 2015 (EM) 002649046-0049
 Mar. 9, 2015 (EM) 002649046-0050
 Mar. 9, 2015 (EM) 002649046-0054
 Mar. 9, 2015 (EM) 002649046-0055
 Mar. 9, 2015 (EM) 002649046-0056

Mar. 9, 2015 (EM) 002649046-0057
 Mar. 9, 2015 (EM) 002649046-0058
 Mar. 9, 2015 (EM) 002649046-0062
 Mar. 9, 2015 (EM) 002649046-0063
 Mar. 9, 2015 (EM) 002649046-0064
 Mar. 9, 2015 (EM) 002649046-0065
 Mar. 9, 2015 (EM) 002649046-0066
 Mar. 9, 2015 (EM) 002649046-0069
 Mar. 9, 2015 (EM) 002649046-0070
 Mar. 9, 2015 (EM) 002649046-0071
 Mar. 9, 2015 (EM) 002649046-0072
 Mar. 9, 2015 (EM) 002649046-0073
 Mar. 9, 2015 (EM) 002649046-0075
 Mar. 9, 2015 (EM) 002649046-0077
 Mar. 9, 2015 (EM) 002649046-0078

(56) **References Cited**

U.S. PATENT DOCUMENTS

D630,716 S * 1/2011 Thomas D23/293.1
 D767,738 S * 9/2016 Osterroth D23/284
 D814,615 S * 4/2018 Ziemann D23/293.1
 D834,158 S * 11/2018 Quinn D23/293.1
 D838,819 S * 1/2019 Quinn D23/293.1
 D840,004 S * 2/2019 Richter D23/284

* cited by examiner

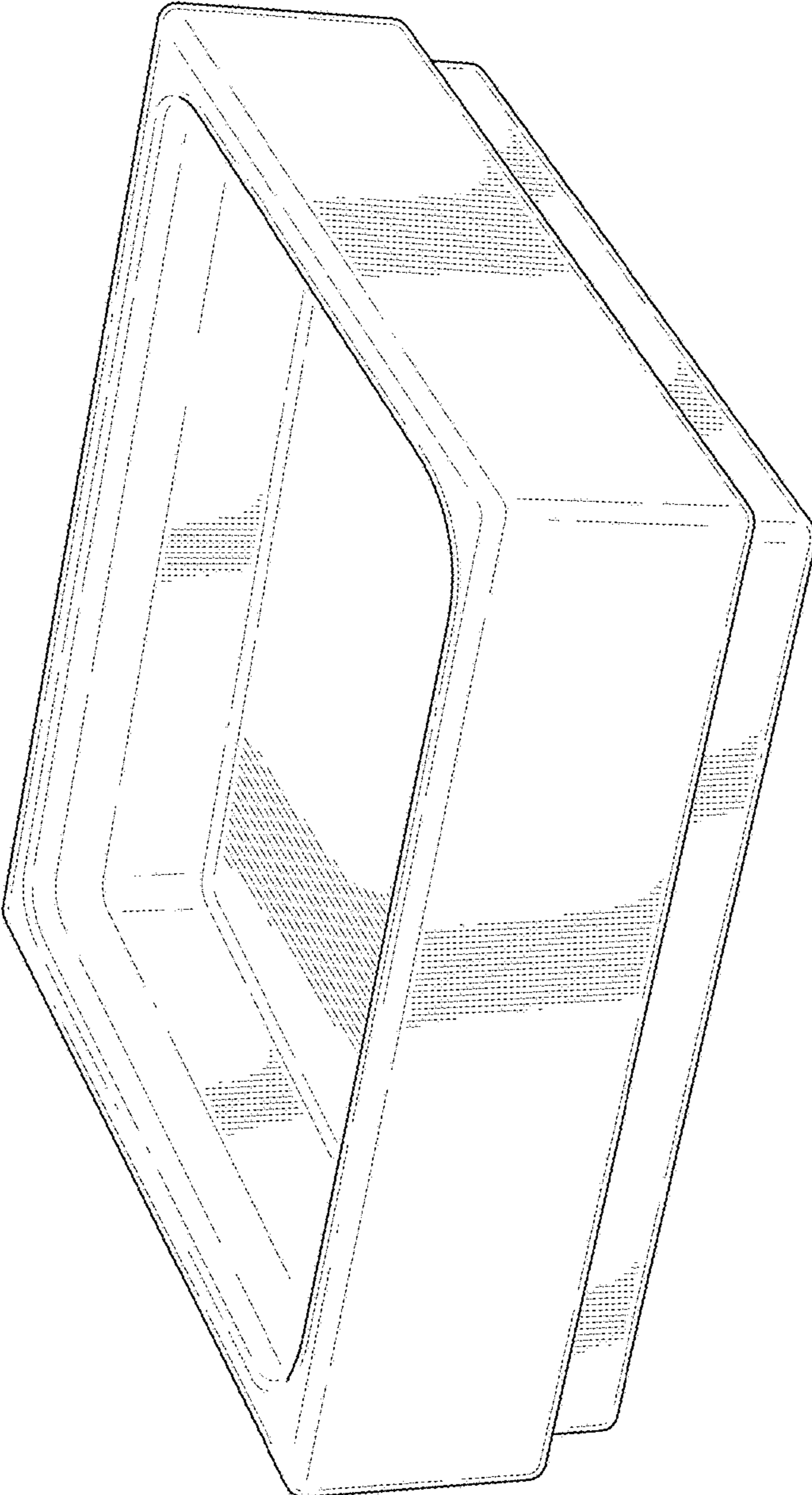


FIG.1

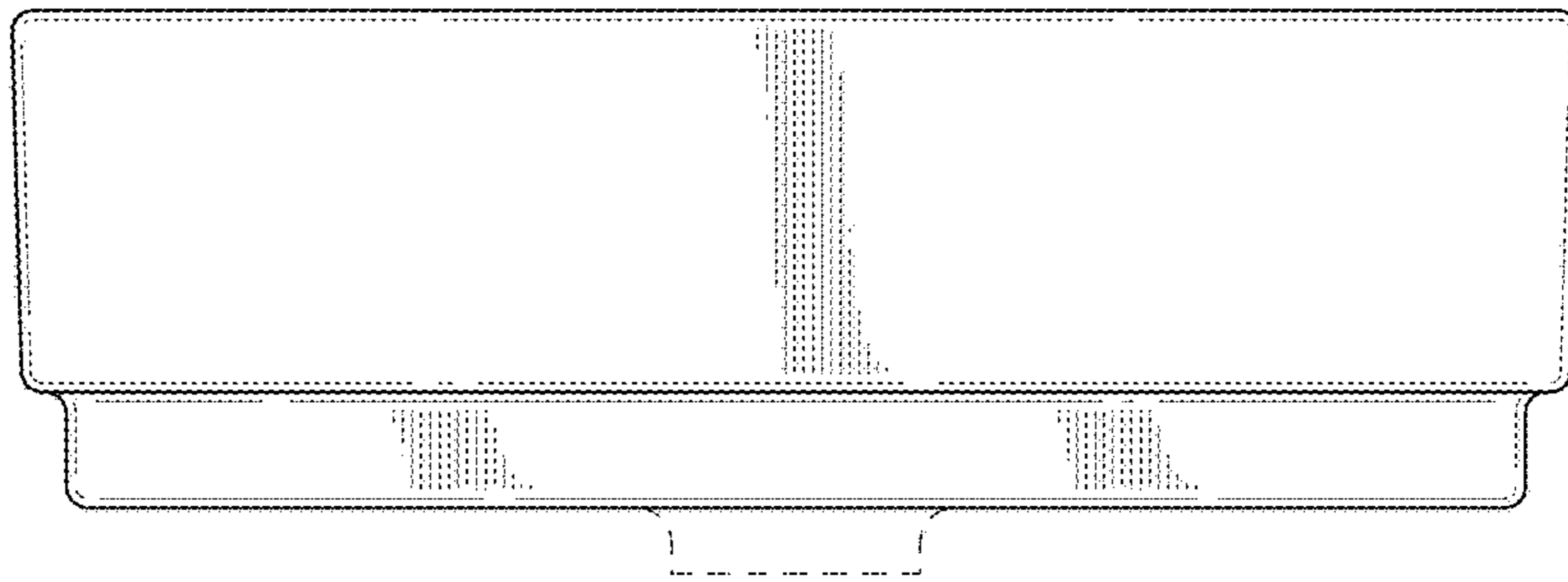


FIG.2

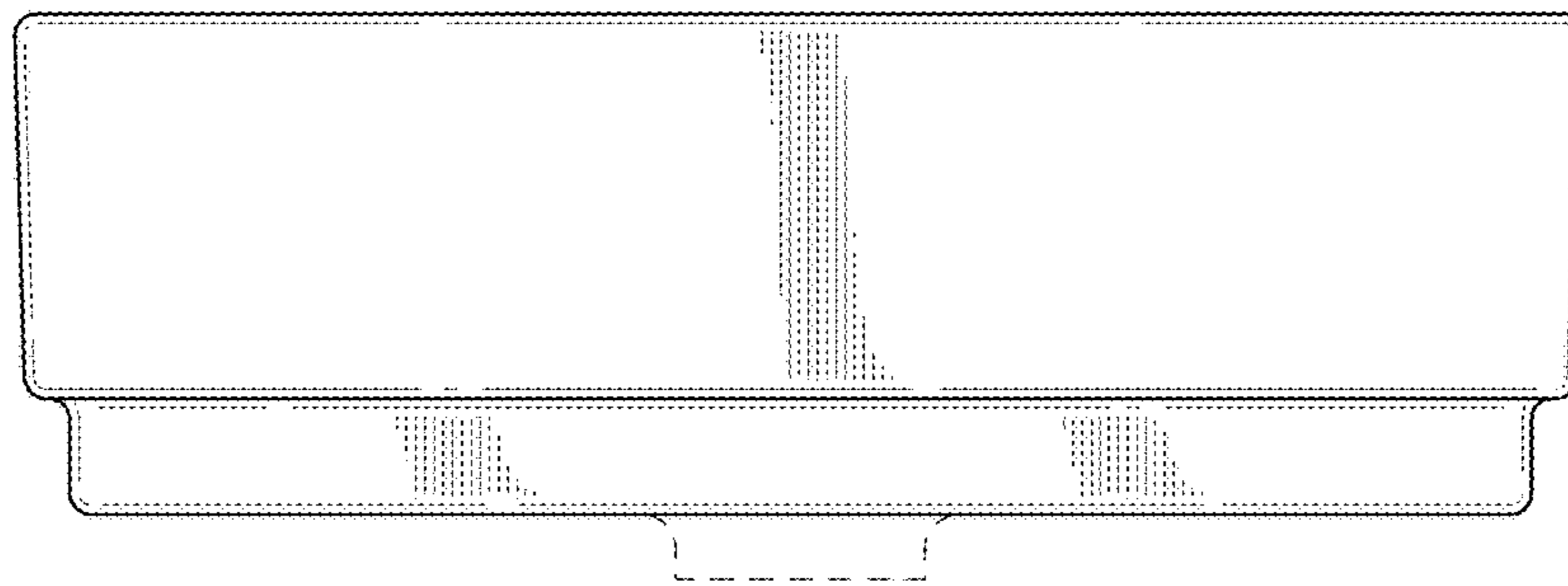


FIG.3

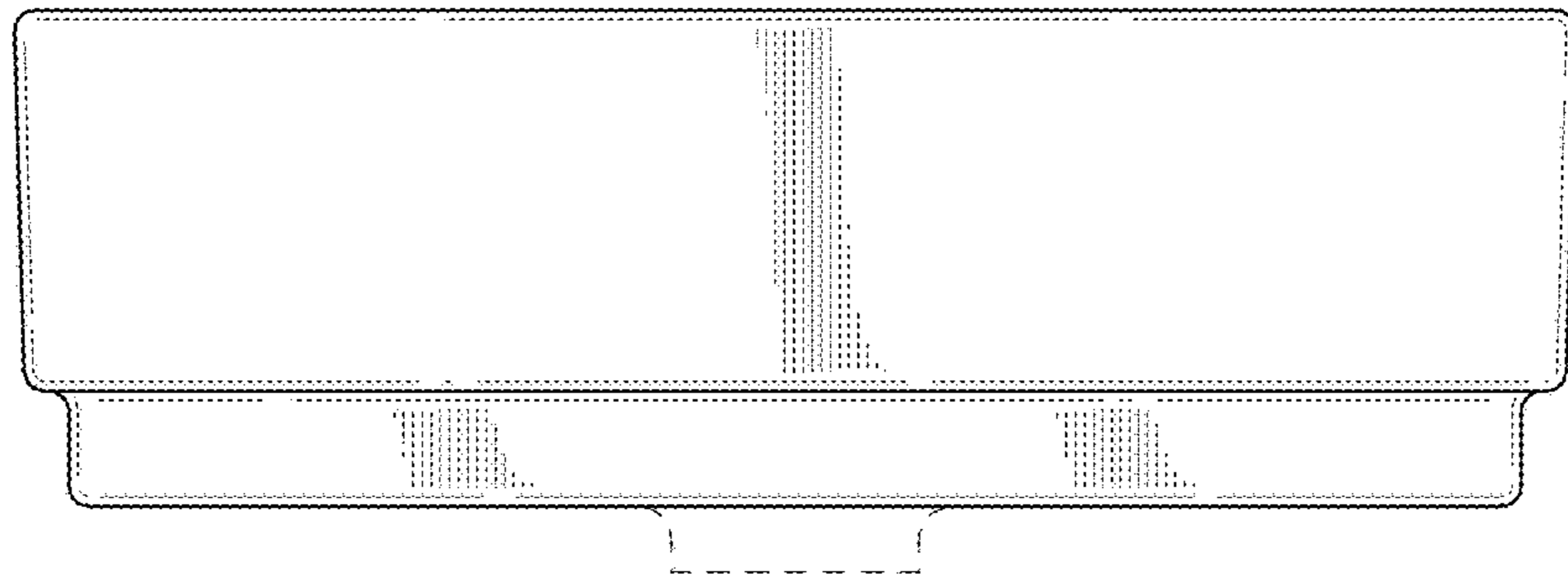


FIG.4

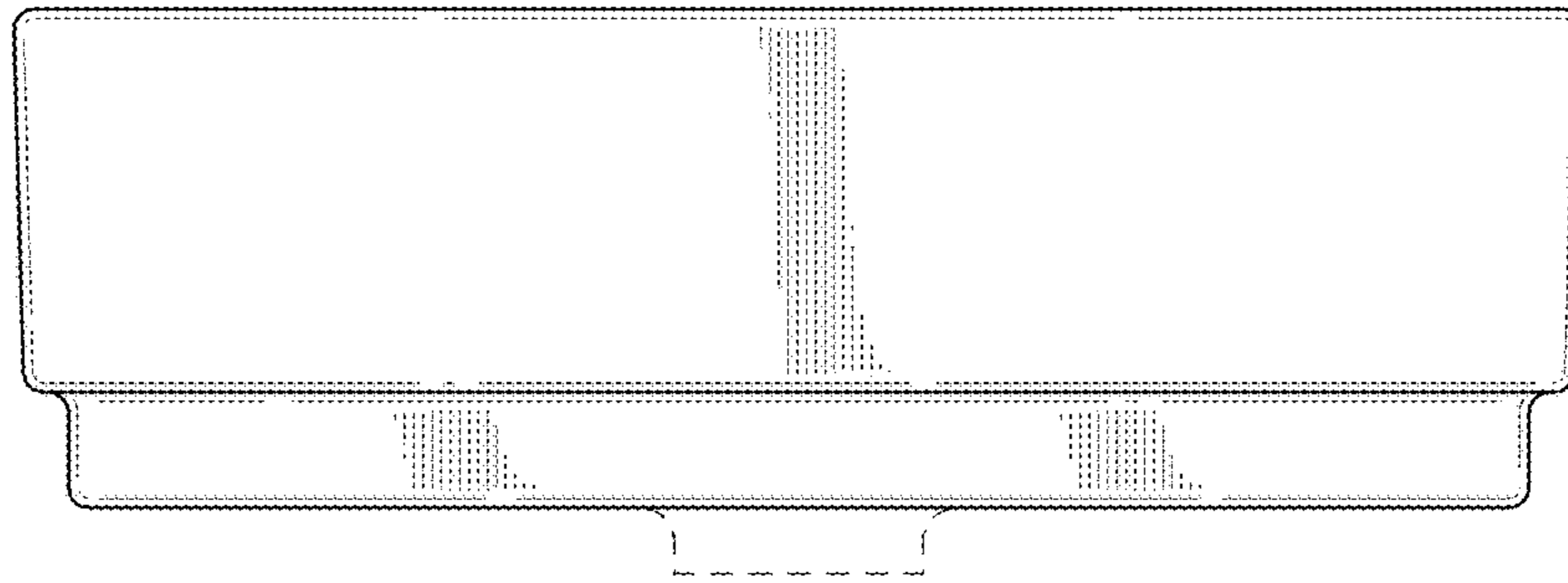


FIG. 5

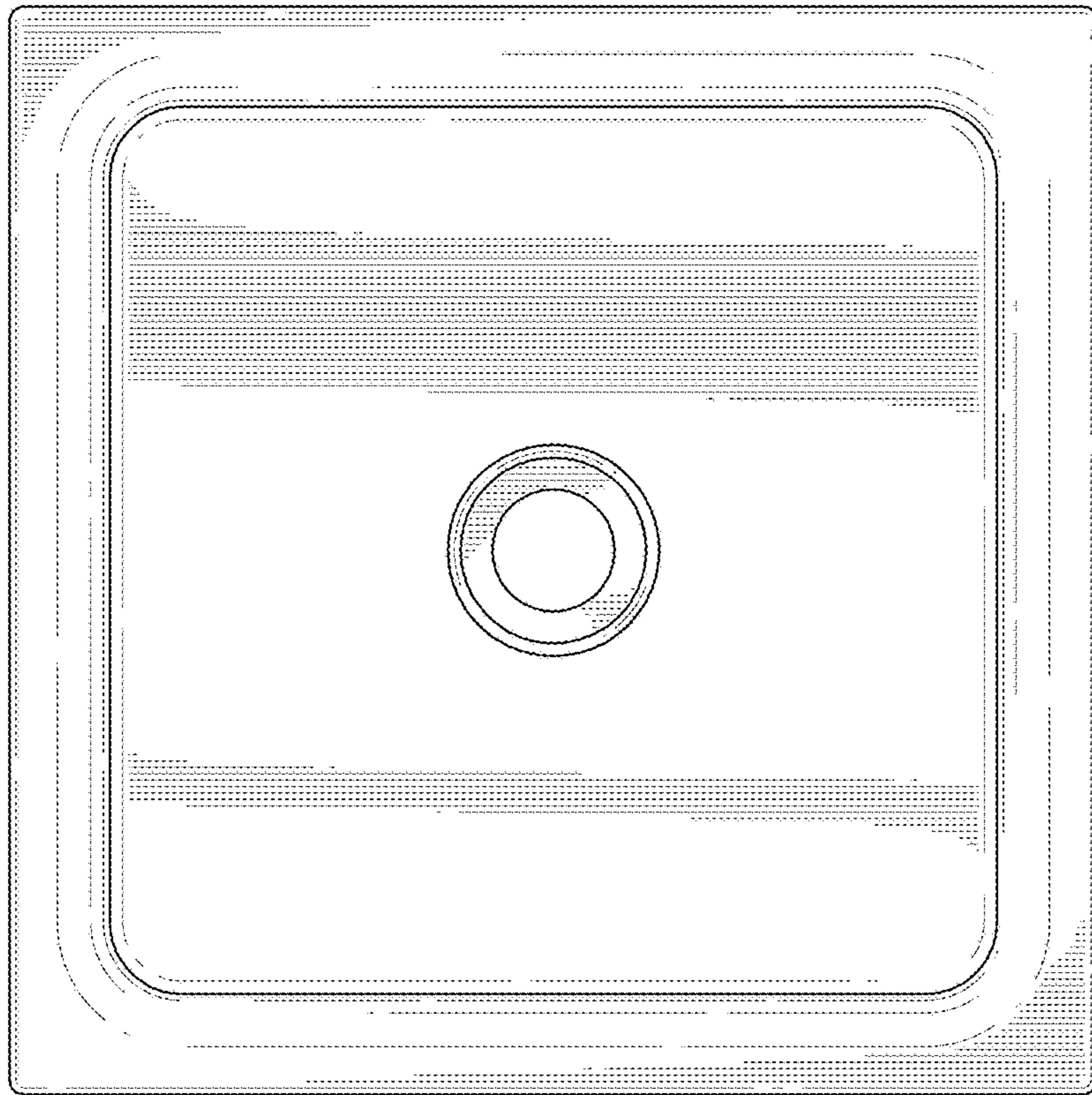


FIG.6

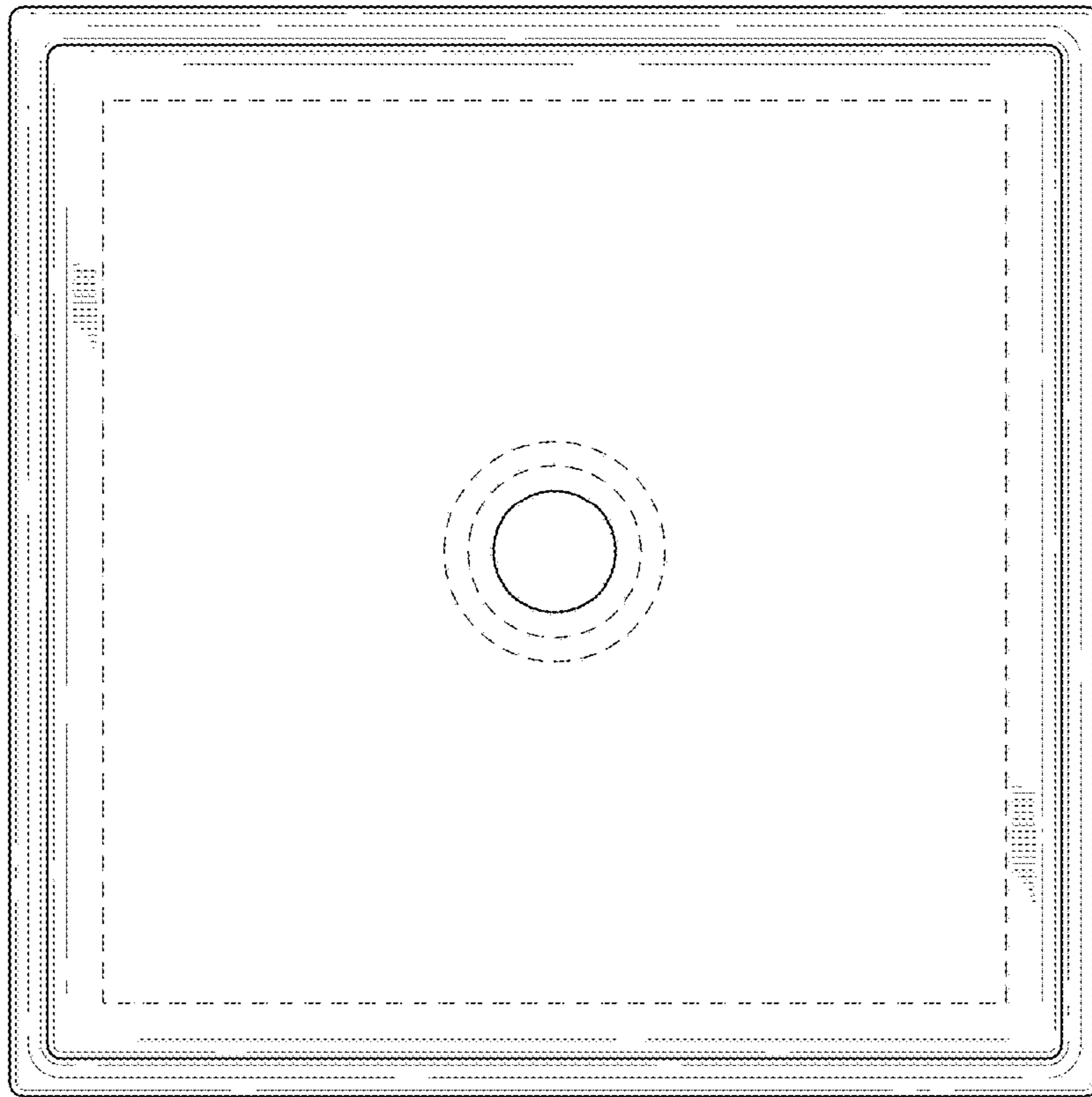


FIG. 7