



US00D866724S

(12) **United States Design Patent** (10) **Patent No.:** **US D866,724 S**  
**Kergoët** (45) **Date of Patent:** **\*\* Nov. 12, 2019**

- (54) **LAVATORY**
- (71) Applicant: **Kohler Co.**, Kohler, WI (US)
- (72) Inventor: **François Kergoët**, Malakoff (FR)
- (73) Assignee: **KOHLER CO.**, Kohler, WI (US)
- (\*\*) Term: **15 Years**
- (21) Appl. No.: **29/648,029**
- (22) Filed: **May 17, 2018**
- (51) **LOC (12) Cl.** ..... **23-01**
- (52) **U.S. Cl.**  
USPC ..... **D23/284**
- (58) **Field of Classification Search**  
USPC ..... D23/284, 288, 290, 308, 201  
See application file for complete search history.

- D510,987 S 10/2005 Piatt
- D598,085 S 8/2009 Booth
- D610,660 S \* 2/2010 Slothower ..... D23/293.1
- D634,821 S \* 3/2011 Thomas ..... D23/284
- D634,822 S 3/2011 Bickerstaffe
- D663,017 S \* 7/2012 Slothower ..... D23/308
- D697,598 S \* 1/2014 Garland ..... D23/293.1

\* cited by examiner

*Primary Examiner* — Robert A Delehanty

(74) *Attorney, Agent, or Firm* — Foley & Lardner LLP

(57) **CLAIM**

I claim the ornamental design for a lavatory, as shown and described.

**DESCRIPTION**

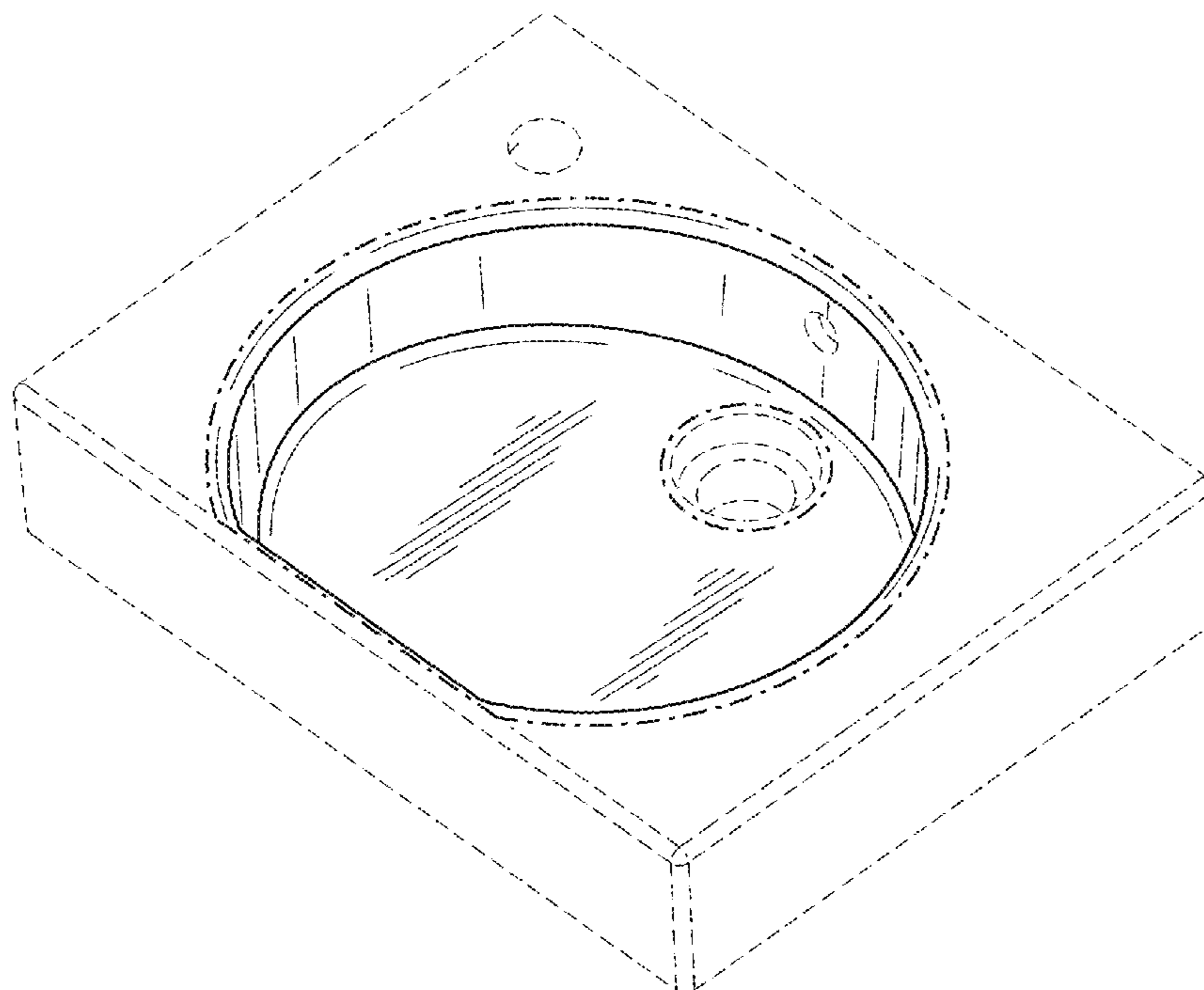
FIG. 1 is a perspective view of an embodiment of the claimed design;  
 FIG. 2 is a top view of the embodiment of FIG. 1;  
 FIG. 3 is a bottom view of the embodiment of FIG. 1;  
 FIG. 4 is a front view of the embodiment of FIG. 1;  
 FIG. 5 is a rear view of the embodiment of FIG. 1;  
 FIG. 6 is a side view of the embodiment of FIG. 1;  
 FIG. 7 is another side view of the embodiment of FIG. 1;  
 FIG. 8 is a perspective view of another embodiment of the claimed design; and,  
 FIG. 9 is a top view of the embodiment of FIG. 9.  
 The ornamental design which is claimed is shown in solid lines in the drawings. The broken lines in the drawings are for illustrative purposes only and form no part of the claimed design. Broken lines formed of unequal length dashes (i.e., dash-dot) define bounds of the claimed design.

**1 Claim, 7 Drawing Sheets**

(56) **References Cited**

U.S. PATENT DOCUMENTS

- D116,564 S \* 9/1939 Love ..... D23/290
- D222,541 S \* 11/1971 Ruggles et al. .... D23/293.1
- D299,166 S 12/1988 Reid
- D319,497 S 8/1991 Reid
- D385,957 S \* 11/1997 Laguera Garza ..... D23/284
- D461,881 S 8/2002 McKeone
- D472,616 S \* 4/2003 Newson ..... D23/292
- D482,434 S 11/2003 Piatt
- D492,396 S \* 6/2004 Sutopo ..... D23/293.1
- D495,792 S 9/2004 Sutopo
- D497,416 S 10/2004 Piatt
- D497,418 S 10/2004 Piatt
- D504,718 S 5/2005 Piatt
- D504,719 S 5/2005 Piatt
- D504,720 S 5/2005 Piatt
- D508,983 S 8/2005 Piatt



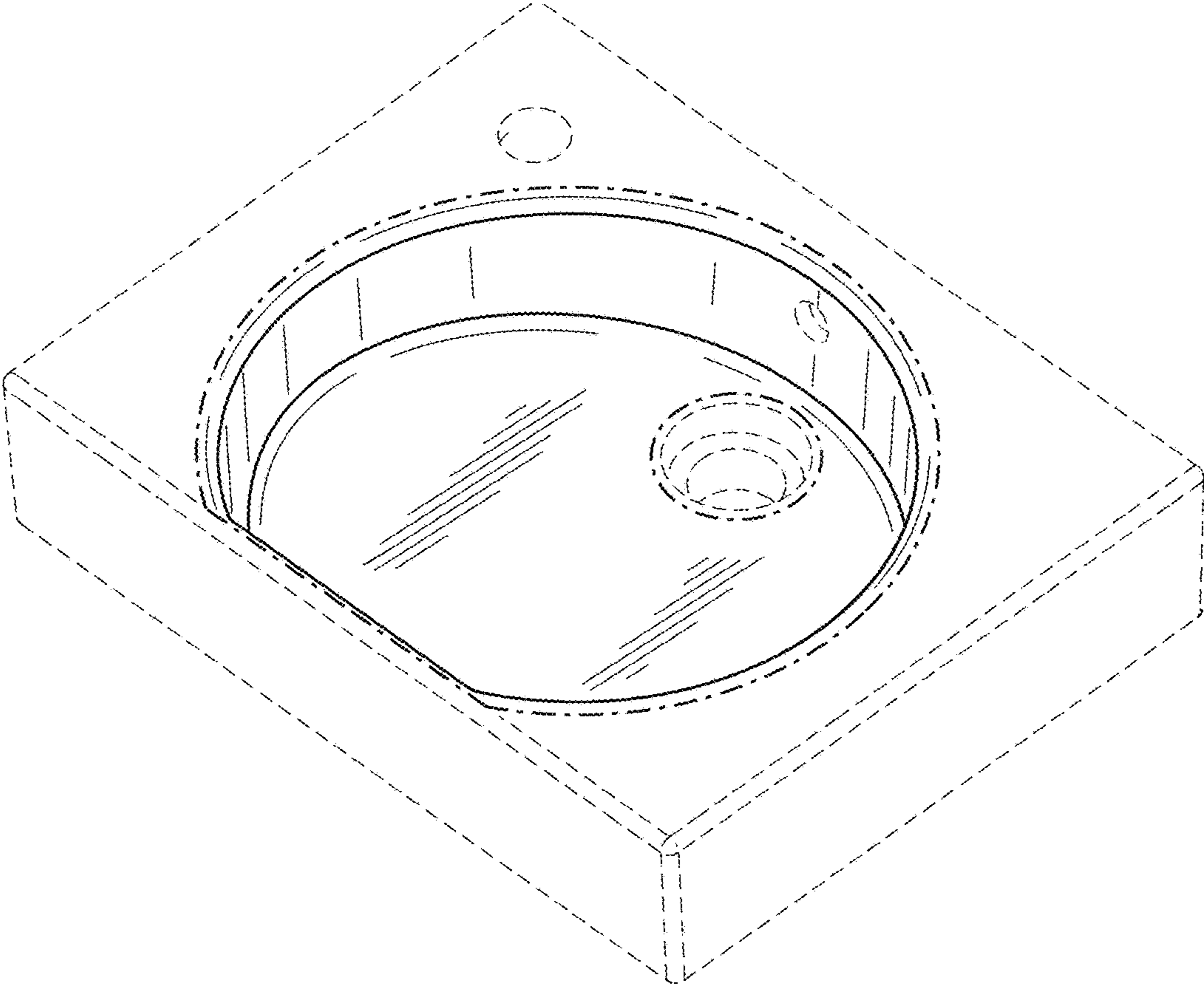


FIG. 1

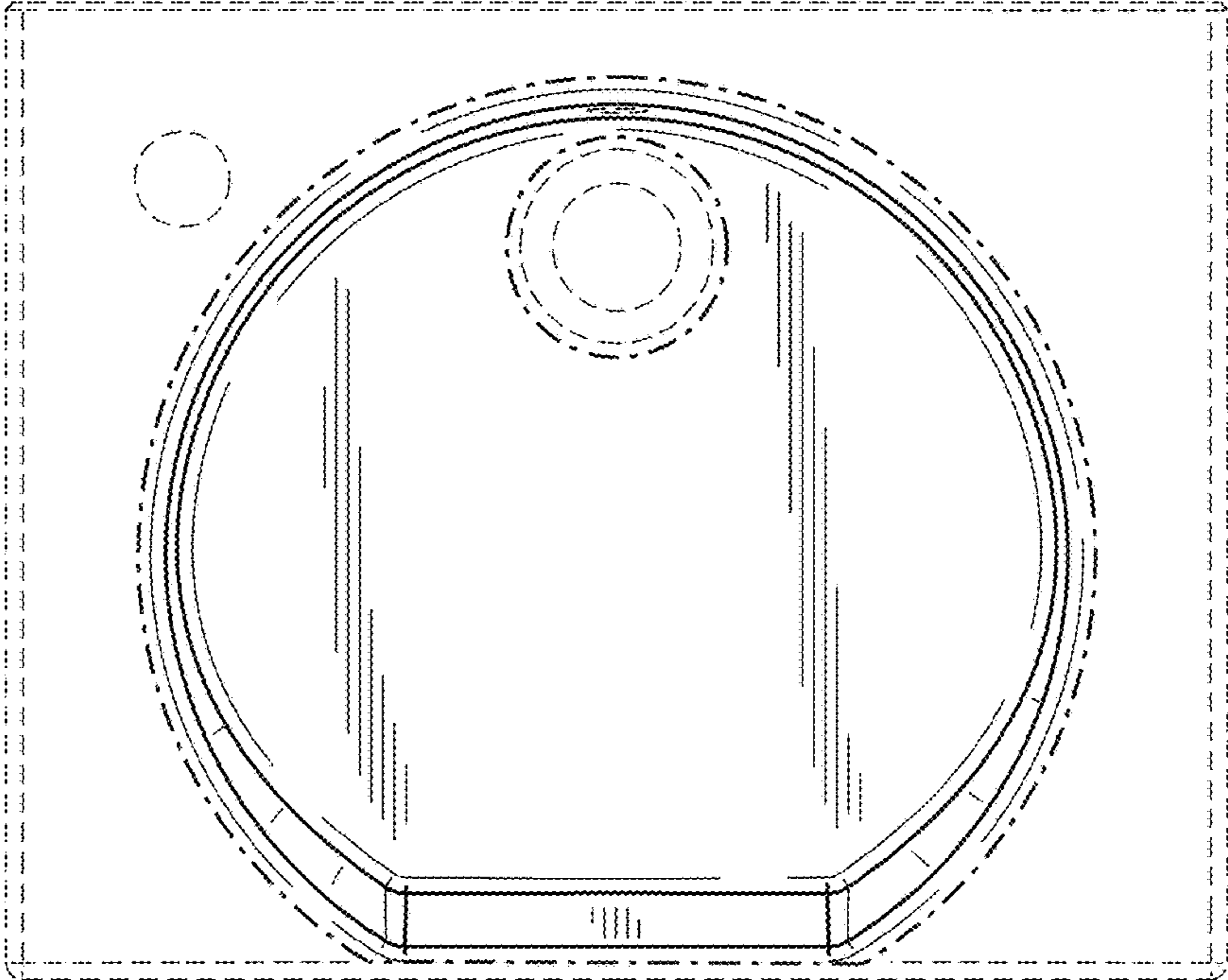


FIG. 2

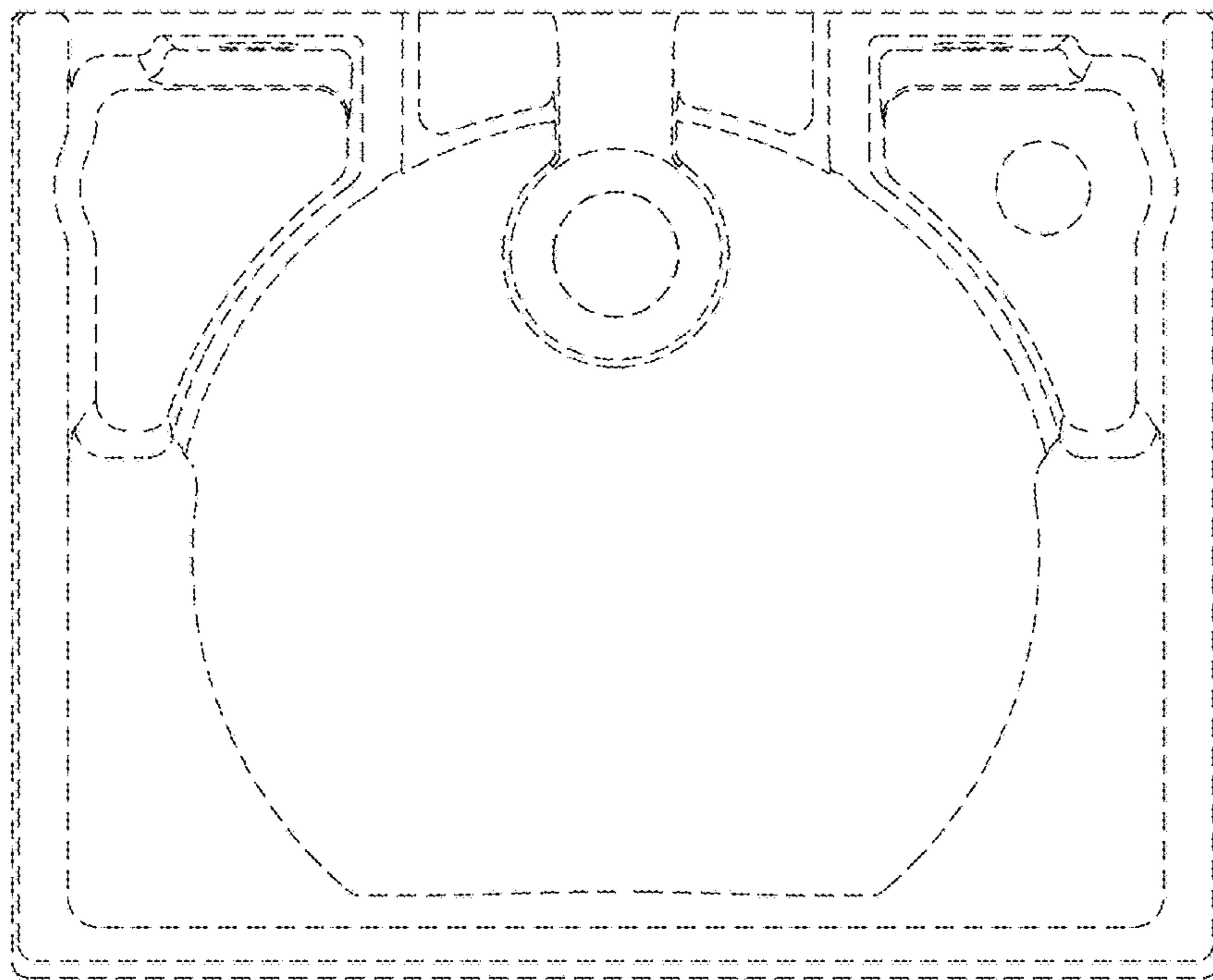


FIG. 3

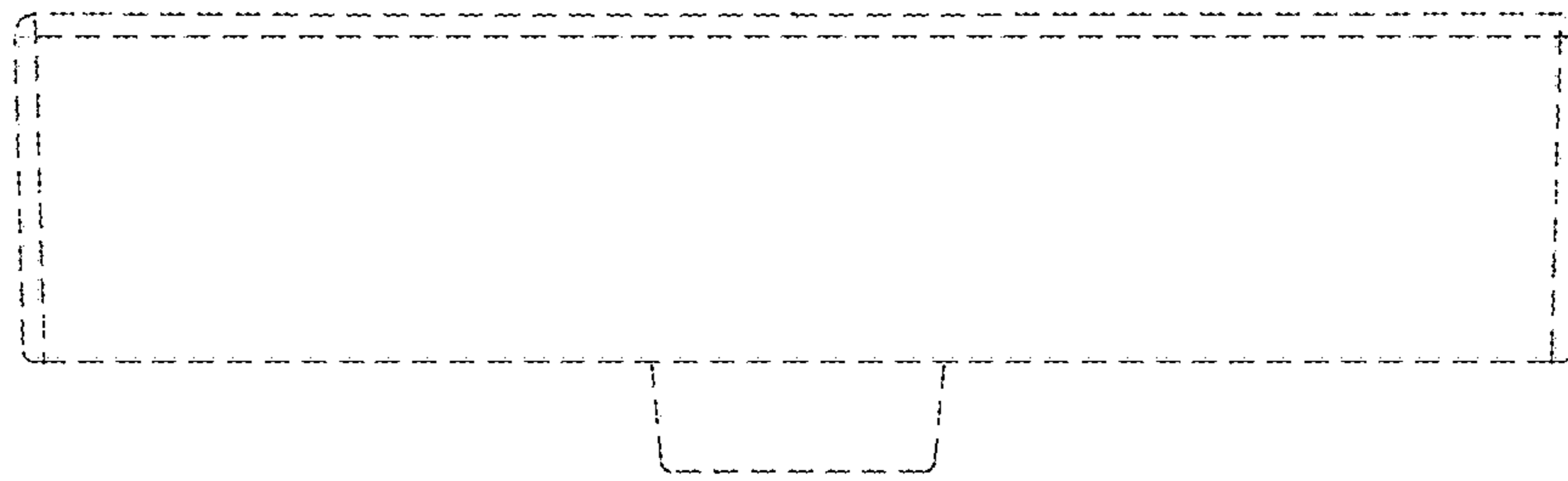


FIG. 4

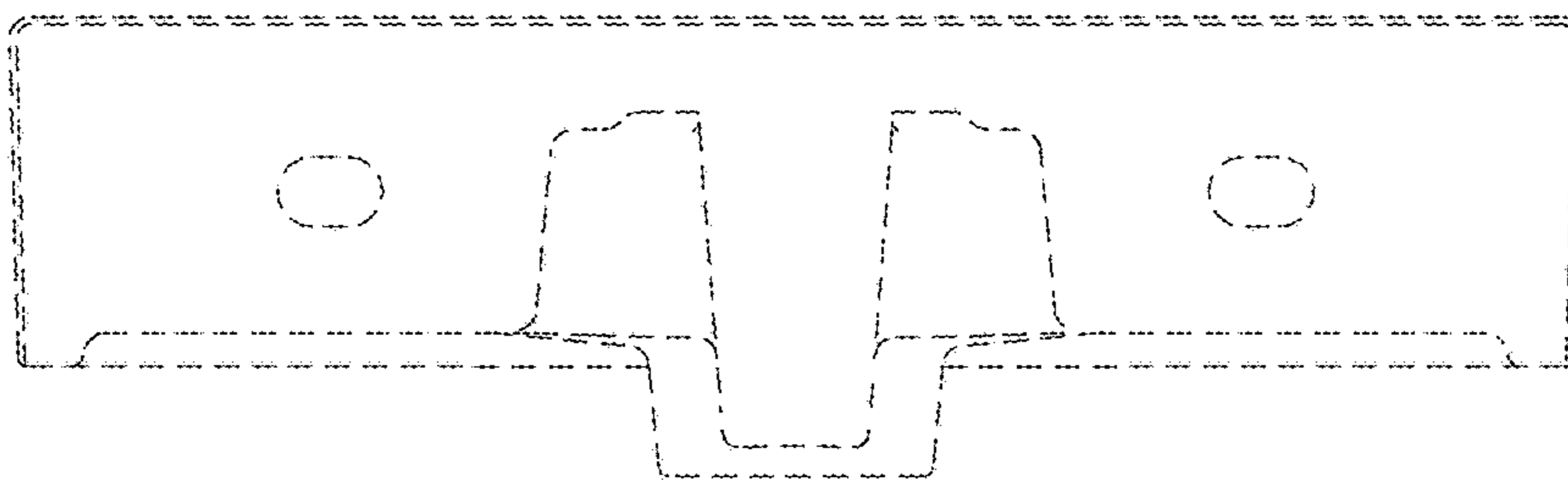


FIG. 5

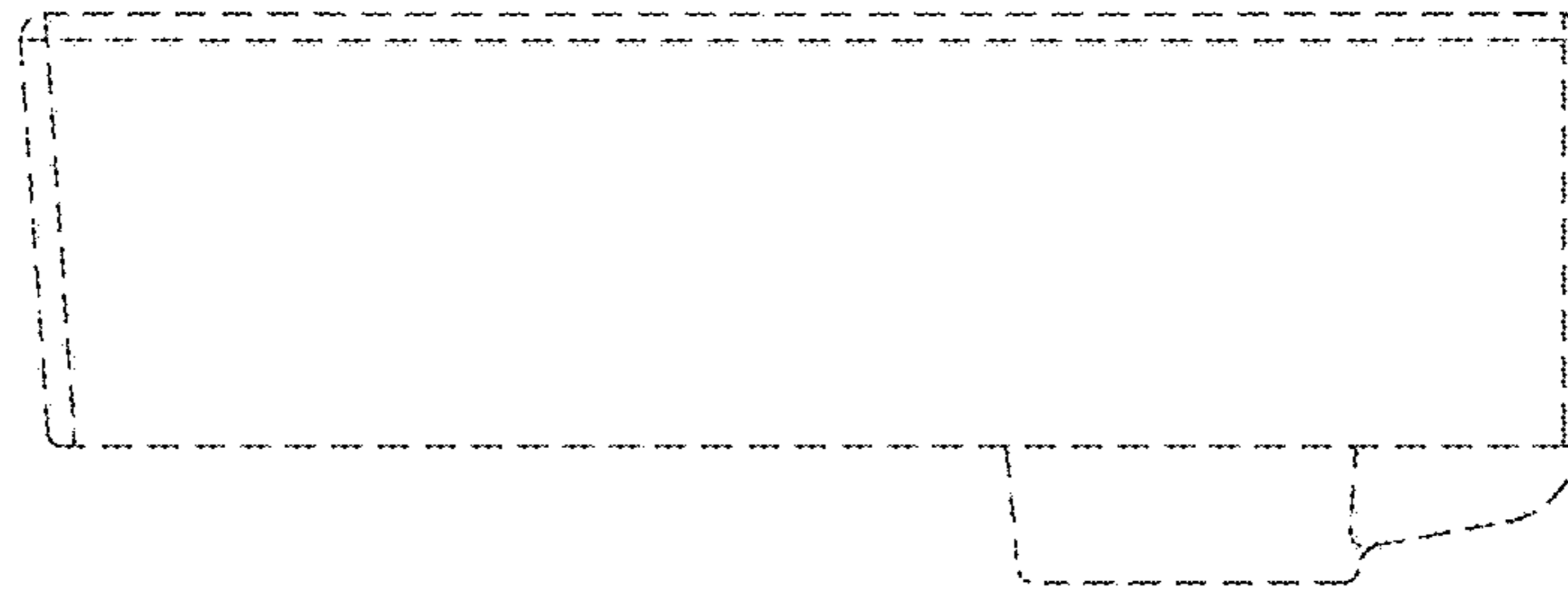


FIG. 6

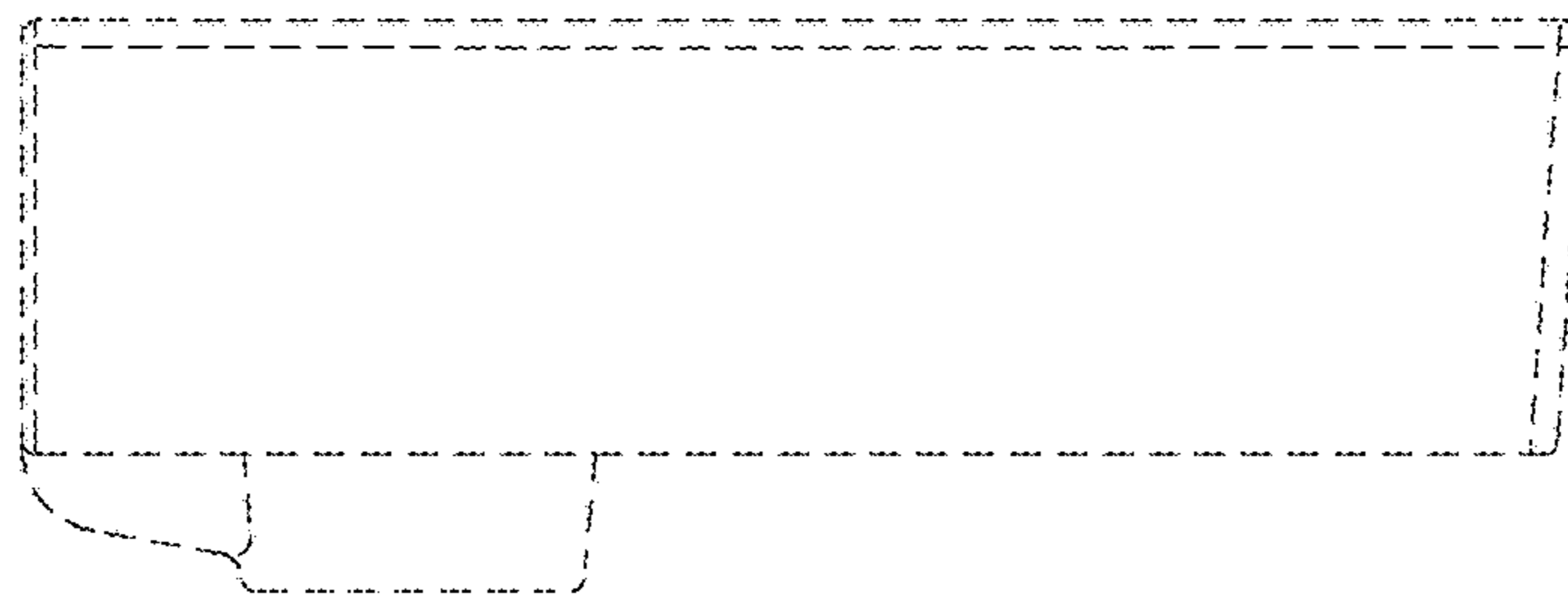


FIG. 7



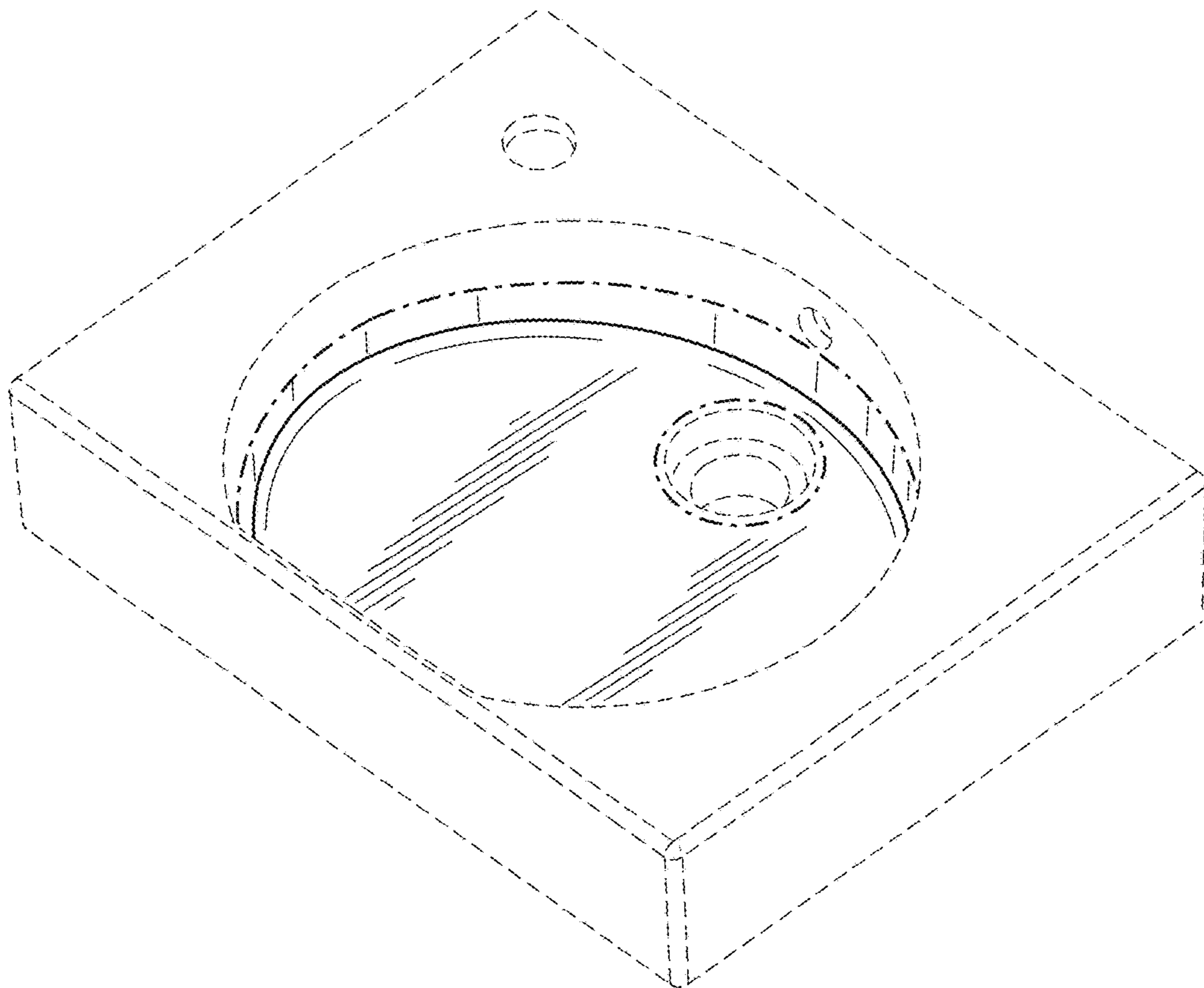


FIG. 8

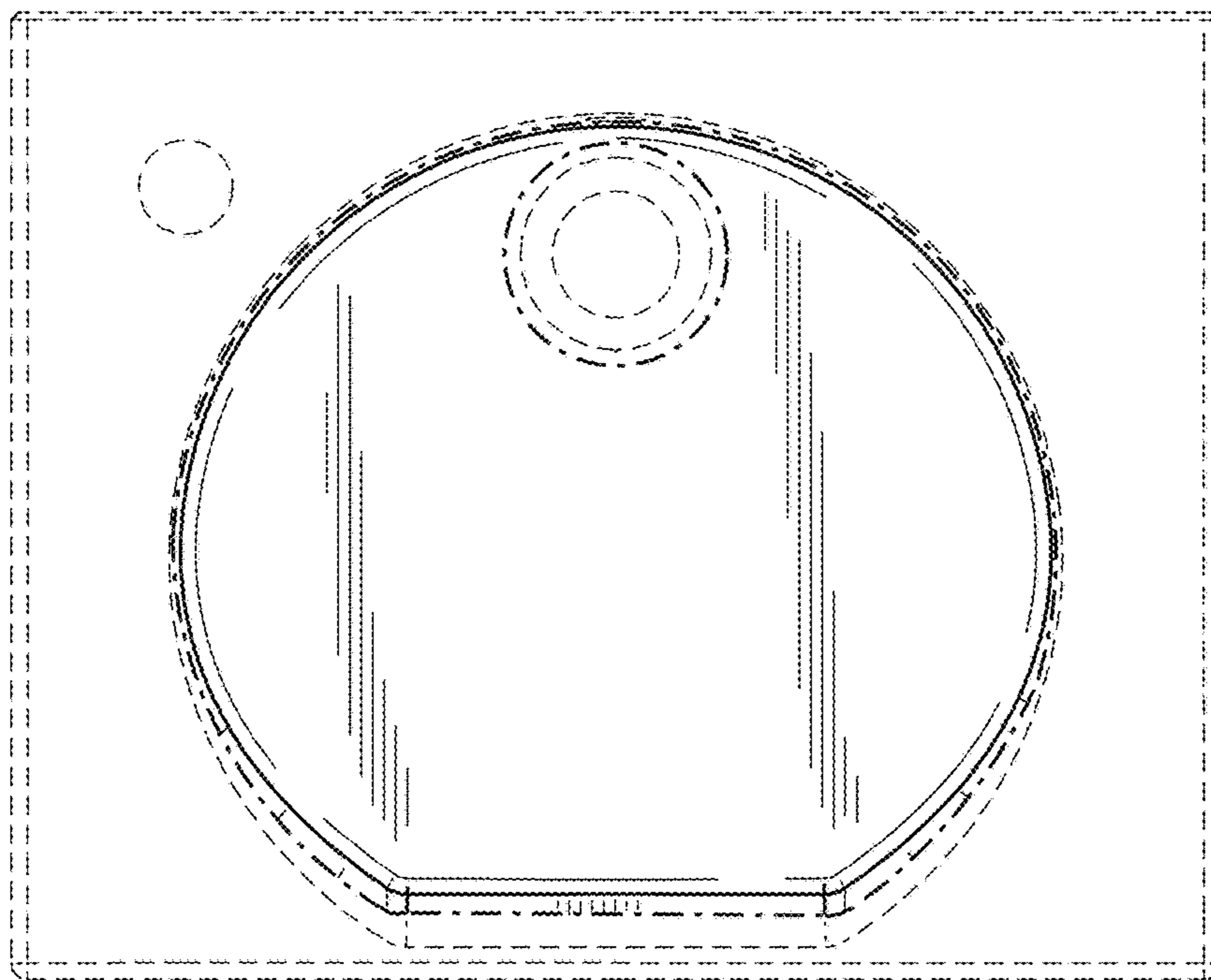


FIG. 9