



US00D866723S

(12) **United States Design Patent** (10) **Patent No.:** **US D866,723 S**
Kergoët (45) **Date of Patent:** **** Nov. 12, 2019**

- (54) **VANITY**
- (71) Applicant: **Kohler Co.**, Kohler, WI (US)
- (72) Inventor: **François Kergoët**, Malakoff (FR)
- (73) Assignee: **KOHLER CO.**, Kohler, WI (US)
- (**) Term: **15 Years**
- (21) Appl. No.: **29/648,020**
- (22) Filed: **May 17, 2018**
- (51) **LOC (12) Cl.** **23-01**
- (52) **U.S. Cl.**
USPC **D23/284**
- (58) **Field of Classification Search**
USPC D23/284, 288, 290, 308, 201
See application file for complete search history.

- D510,987 S 10/2005 Piatt
- D529,147 S * 9/2006 Sutopo D23/284
- D598,085 S 8/2009 Booth
- D598,990 S * 8/2009 Durringer D23/284
- D610,660 S * 2/2010 Slothower D23/293.1
- D624,992 S * 10/2010 Maitre D23/284
- D634,822 S 3/2011 Bickerstaffe
- D663,017 S * 7/2012 Slothower D23/308
- D697,598 S * 1/2014 Garland D23/293.1
- D823,999 S * 7/2018 Stevenson D23/308

* cited by examiner

Primary Examiner — Robert A Delehanty
(74) *Attorney, Agent, or Firm* — Foley & Lardner LLP

(57) **CLAIM**

I claim the ornamental design for a vanity, as shown and described.

DESCRIPTION

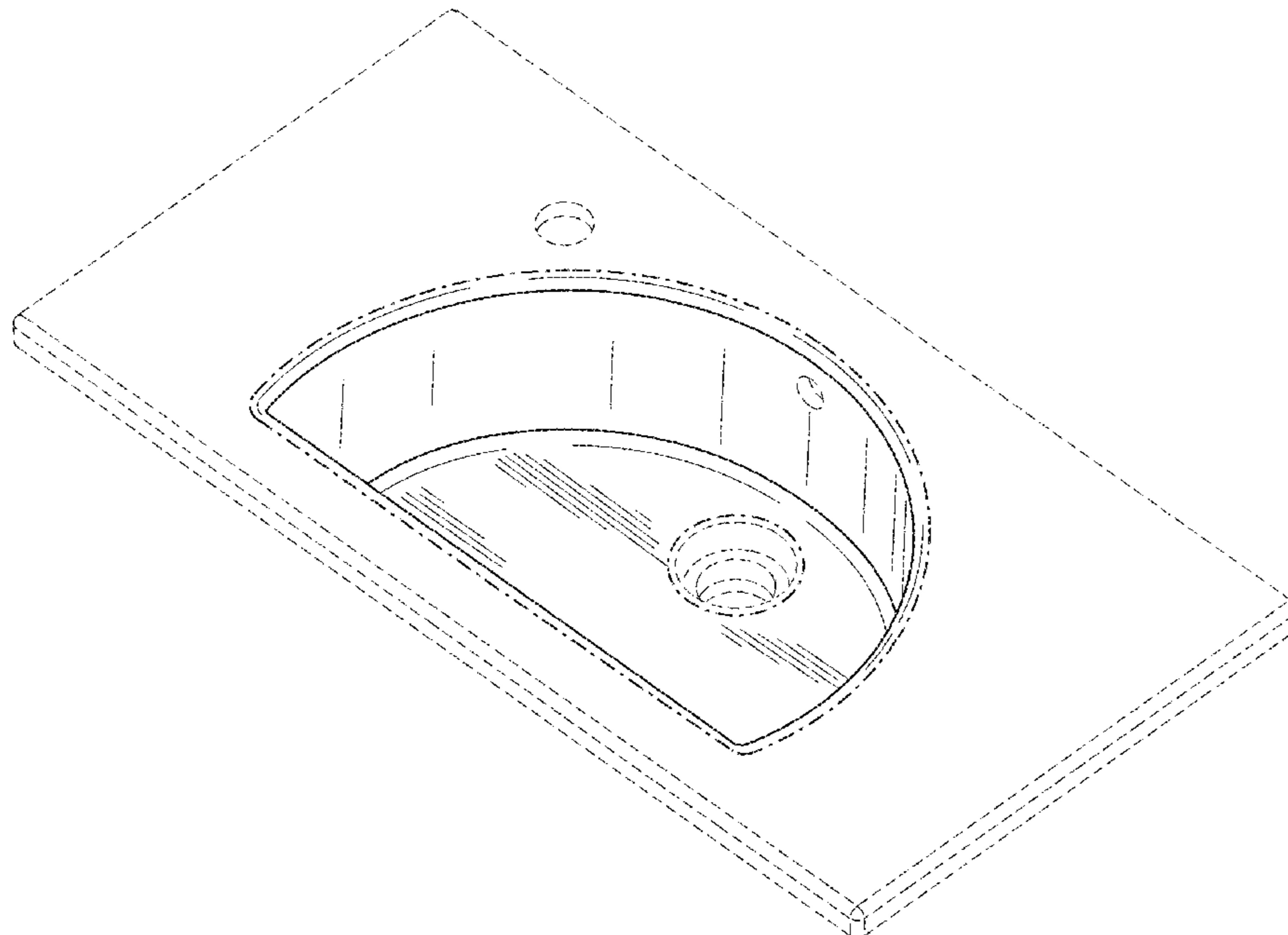
FIG. 1 is a perspective view of an embodiment of the claimed design;
 FIG. 2 is a top view of the embodiment of FIG. 1;
 FIG. 3 is a bottom view of the embodiment of FIG. 1;
 FIG. 4 is a front view of the embodiment of FIG. 1;
 FIG. 5 is a rear view of the embodiment of FIG. 1;
 FIG. 6 is a side view of the embodiment of FIG. 1;
 FIG. 7 is another side view of the embodiment of FIG. 1;
 FIG. 8 is a perspective view of another embodiment of the claimed design; and,
 FIG. 9 is a top view of the embodiment of FIG. 9.
 The ornamental design which is claimed is shown in solid lines in the drawings. The broken lines in the drawings are for illustrative purposes only and form no part of the claimed design. Broken lines formed of unequal length dashes (i.e., dash-dot) define bounds of the claimed design.

1 Claim, 7 Drawing Sheets

(56) **References Cited**

U.S. PATENT DOCUMENTS

- D116,564 S * 9/1939 Love D23/290
- D202,411 S * 9/1965 Niemann D23/293.1
- D299,166 S 12/1988 Reid
- D319,497 S 8/1991 Reid
- D328,338 S * 7/1992 Ragonot D23/284
- D384,404 S * 9/1997 Kergoet D23/284
- D433,741 S * 11/2000 Singer D23/284
- D434,124 S * 11/2000 McKeone D23/284
- D461,881 S 8/2002 McKeone
- D482,434 S 11/2003 Piatt
- D495,792 S 9/2004 Sutopo
- D497,416 S 10/2004 Piatt
- D497,418 S 10/2004 Piatt
- D504,718 S 5/2005 Piatt
- D504,719 S 5/2005 Piatt
- D504,720 S 5/2005 Piatt
- D508,983 S 8/2005 Piatt



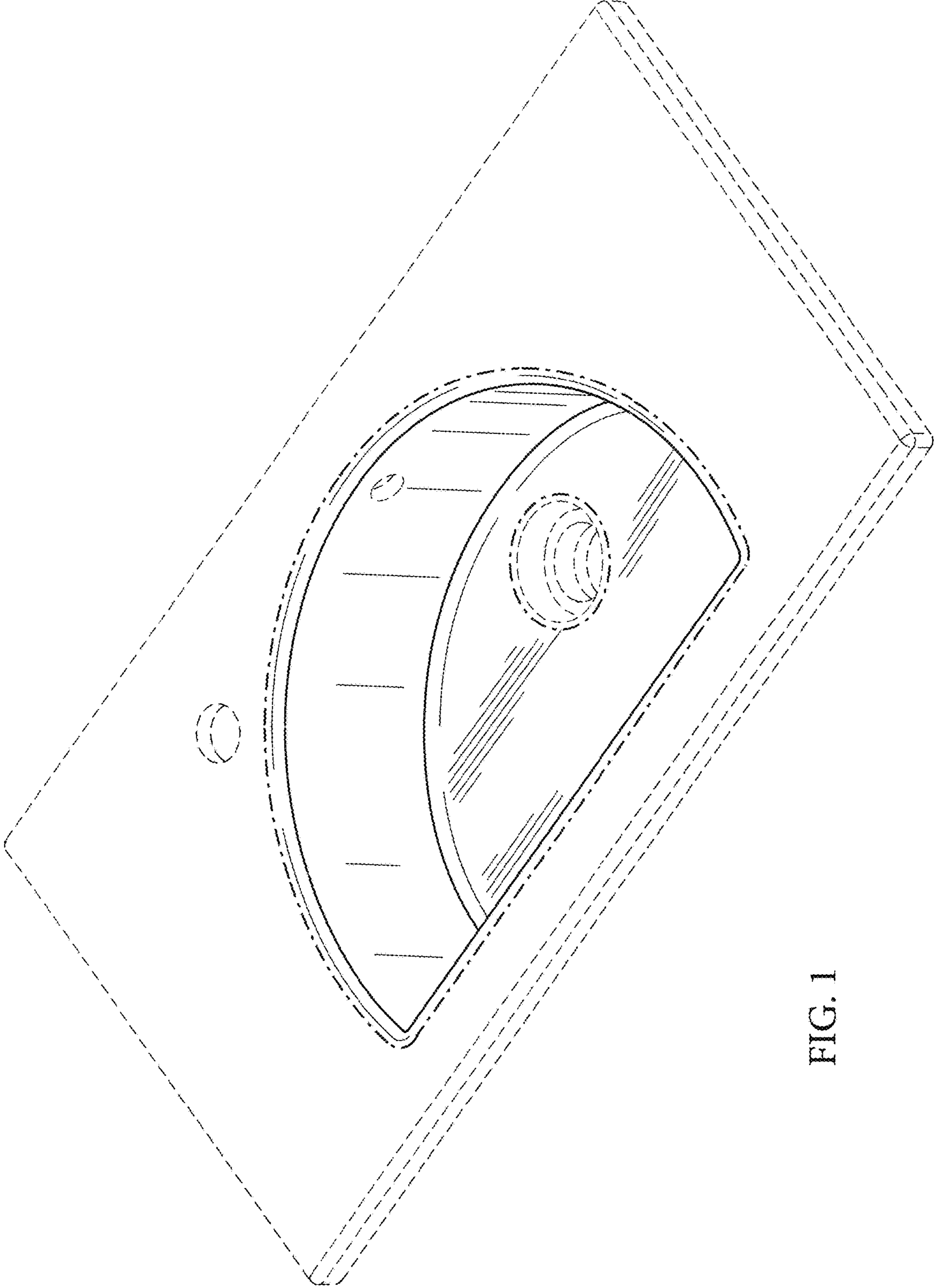


FIG. 1

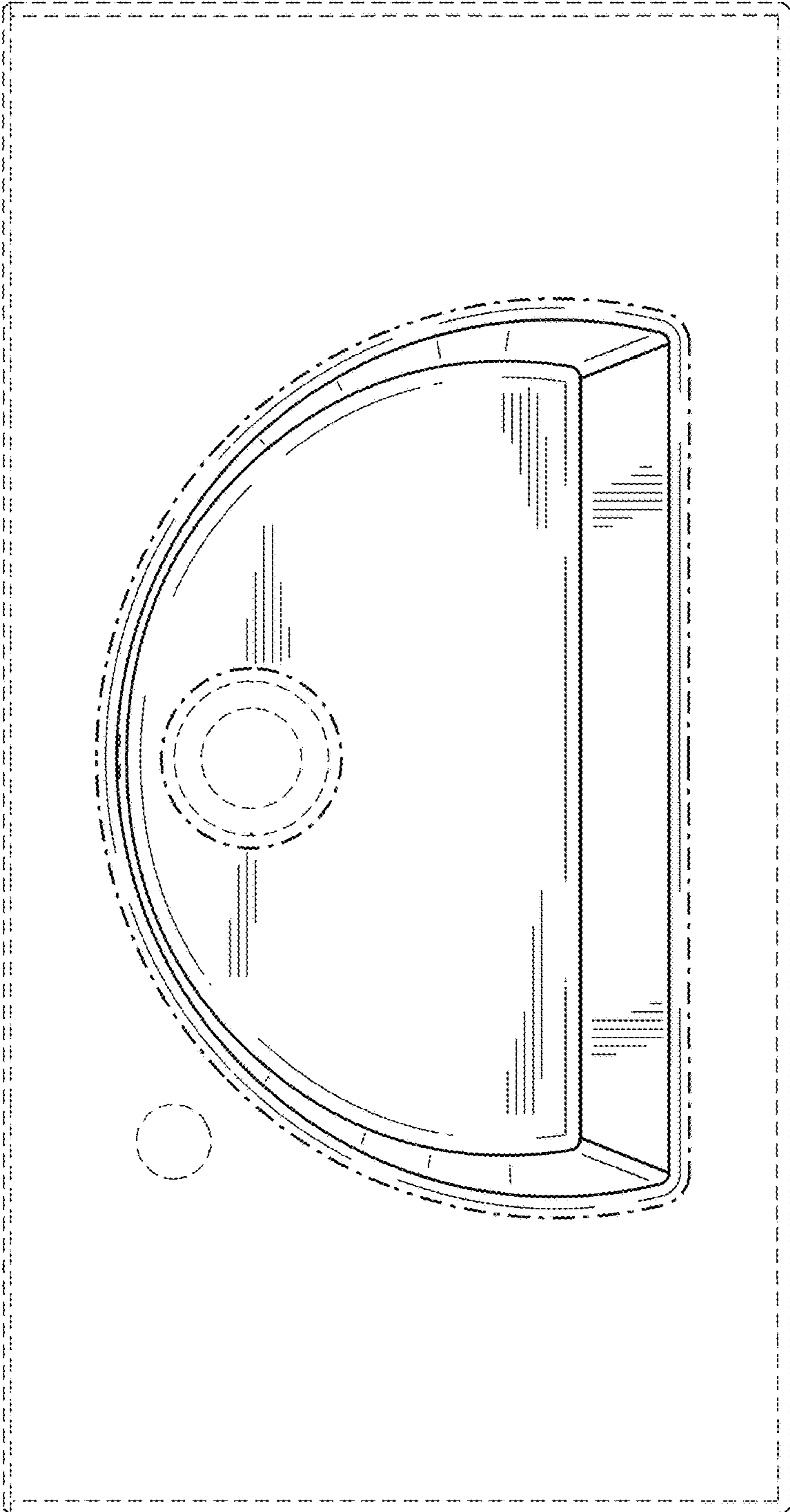


FIG. 2

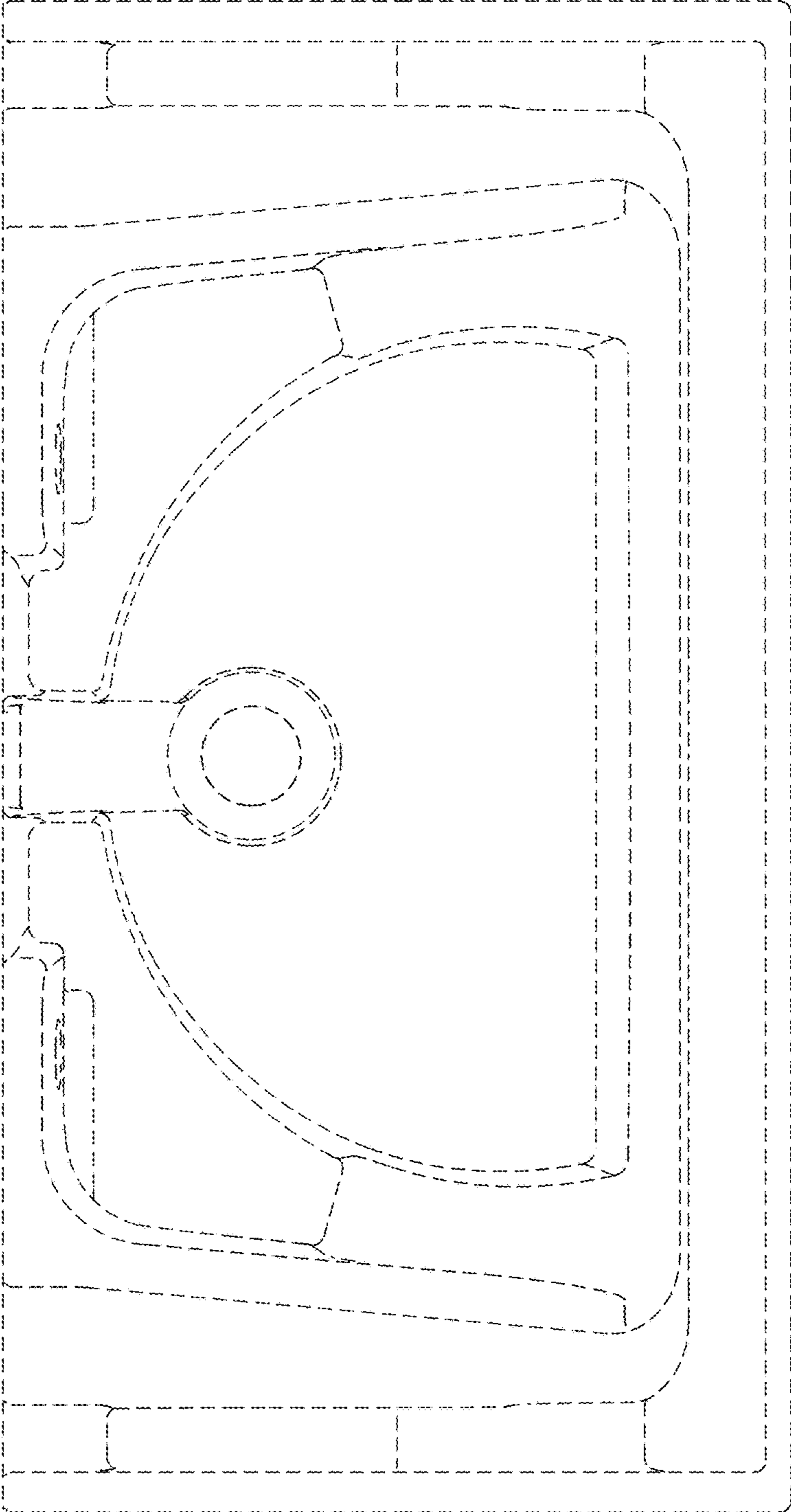


FIG. 3

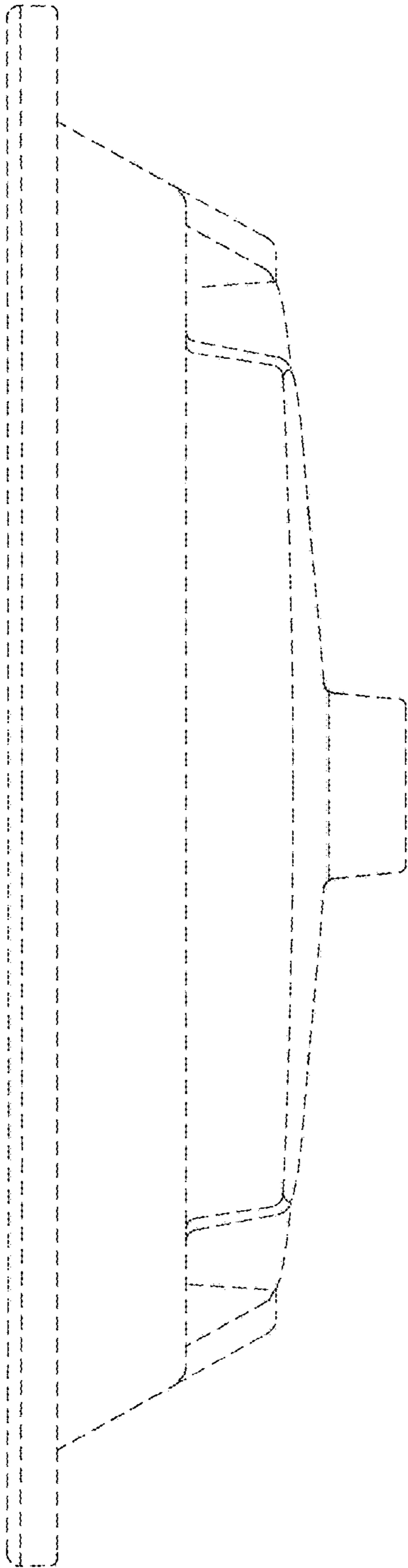


FIG. 4

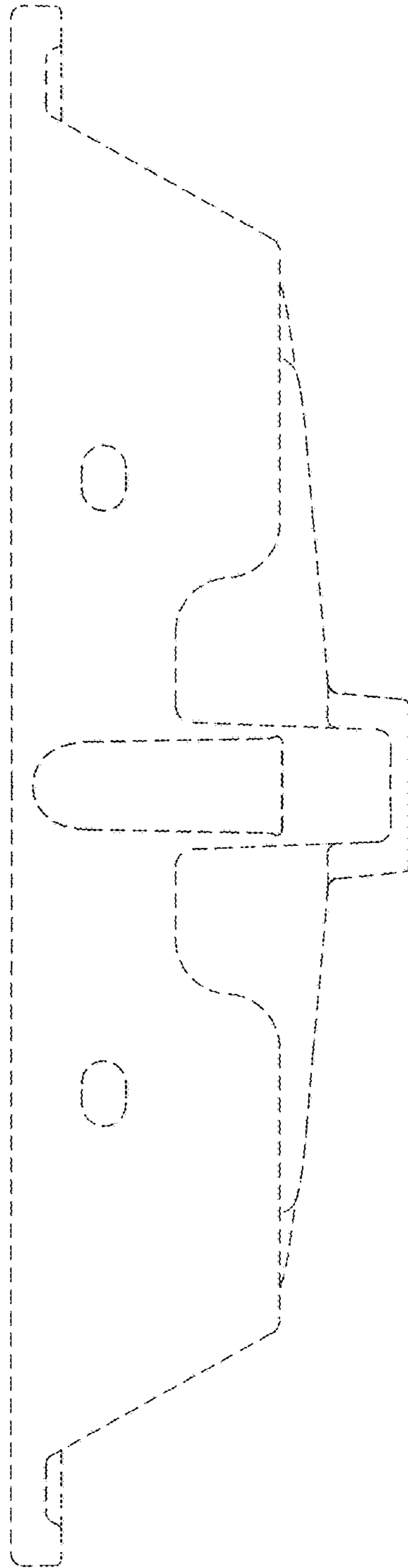


FIG. 5

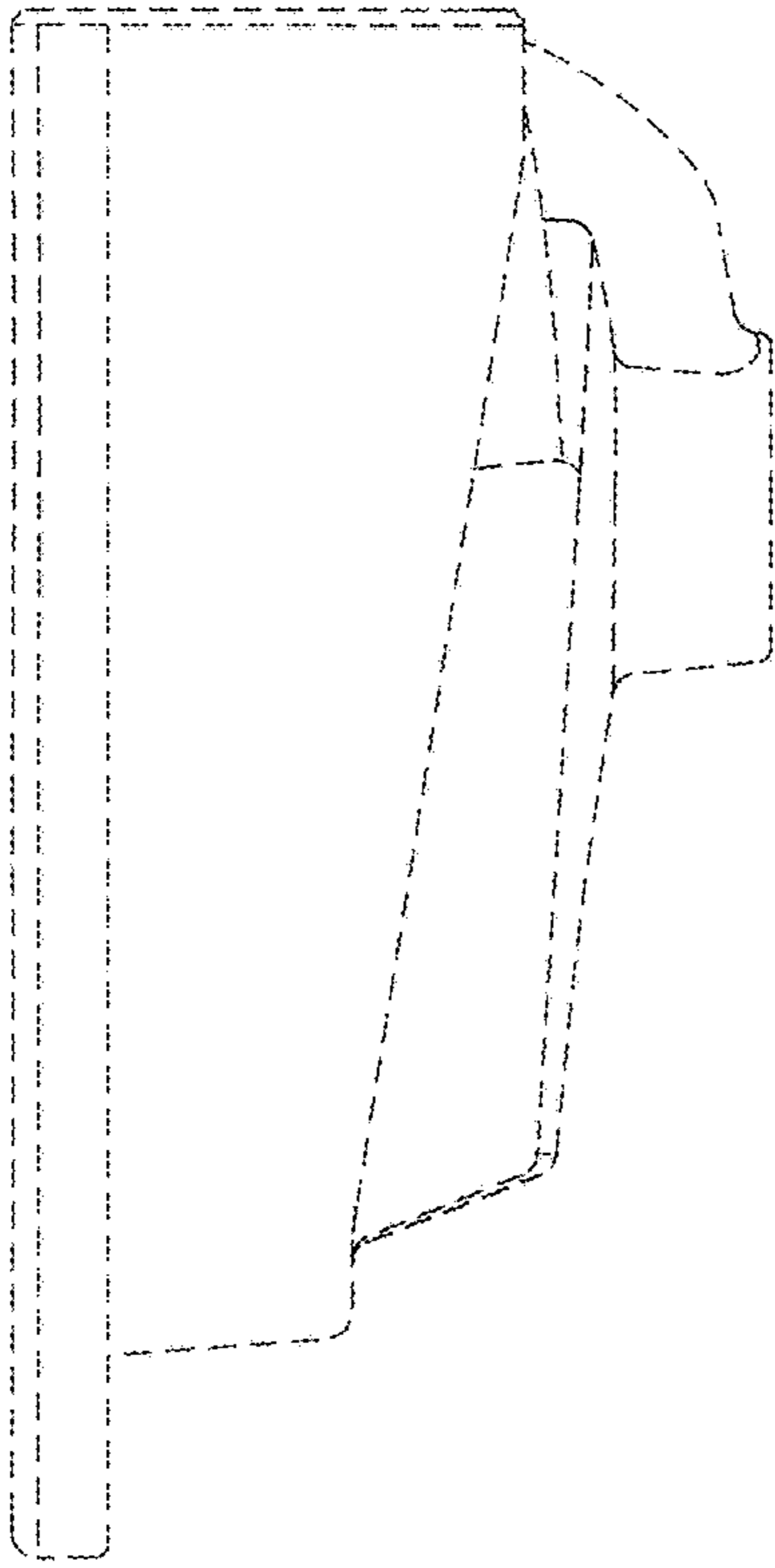


FIG. 6

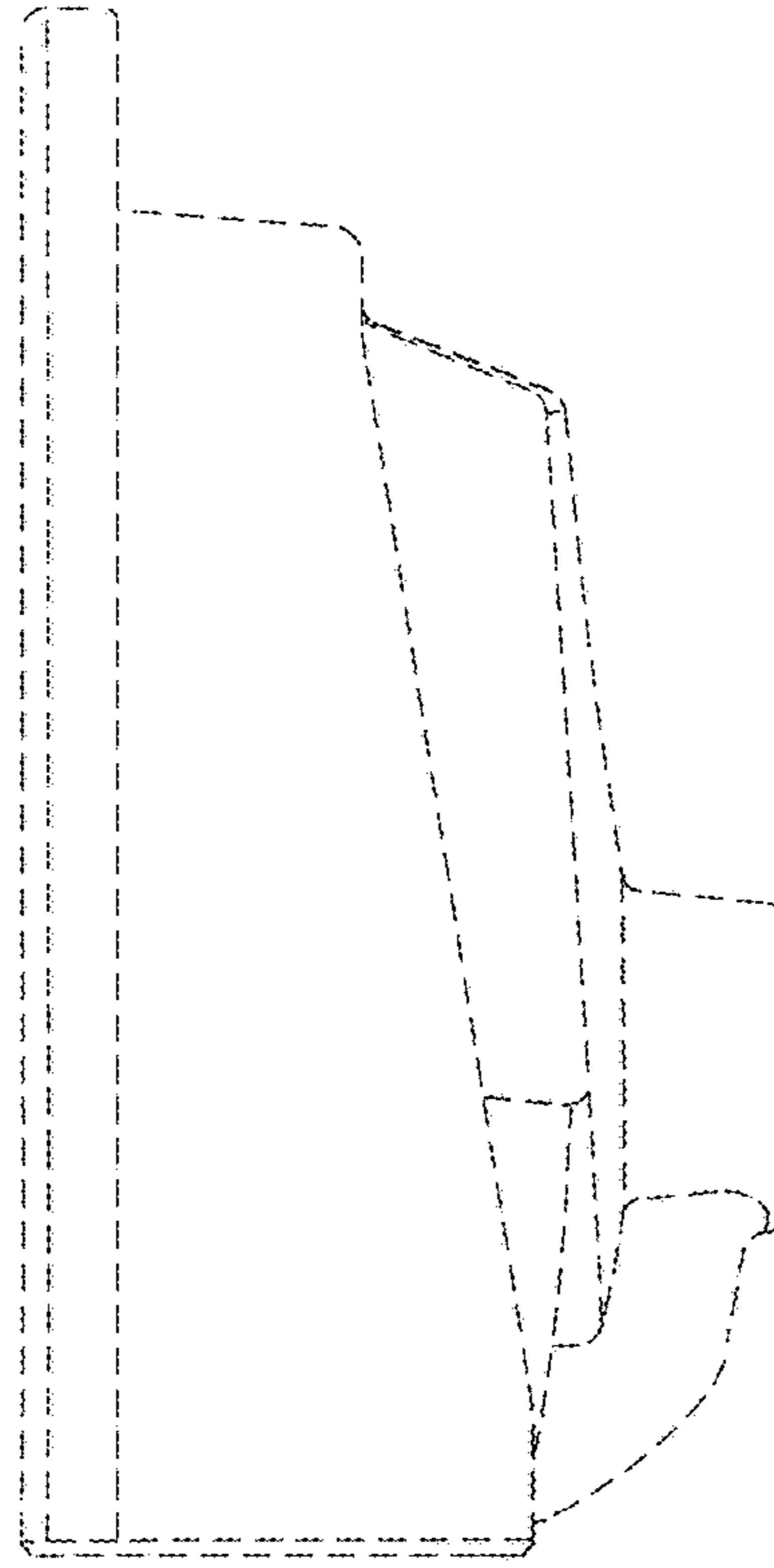


FIG. 7

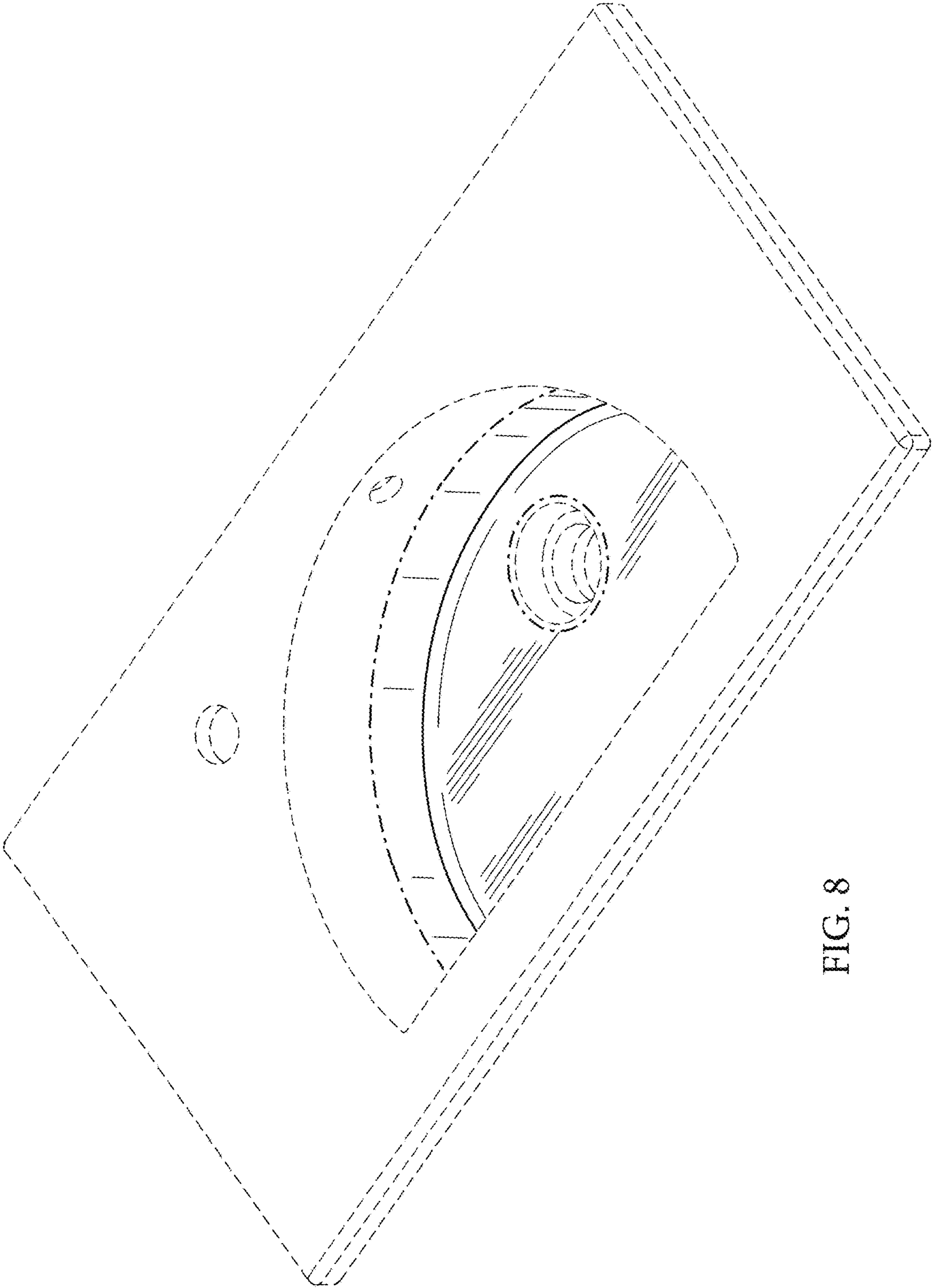


FIG. 8

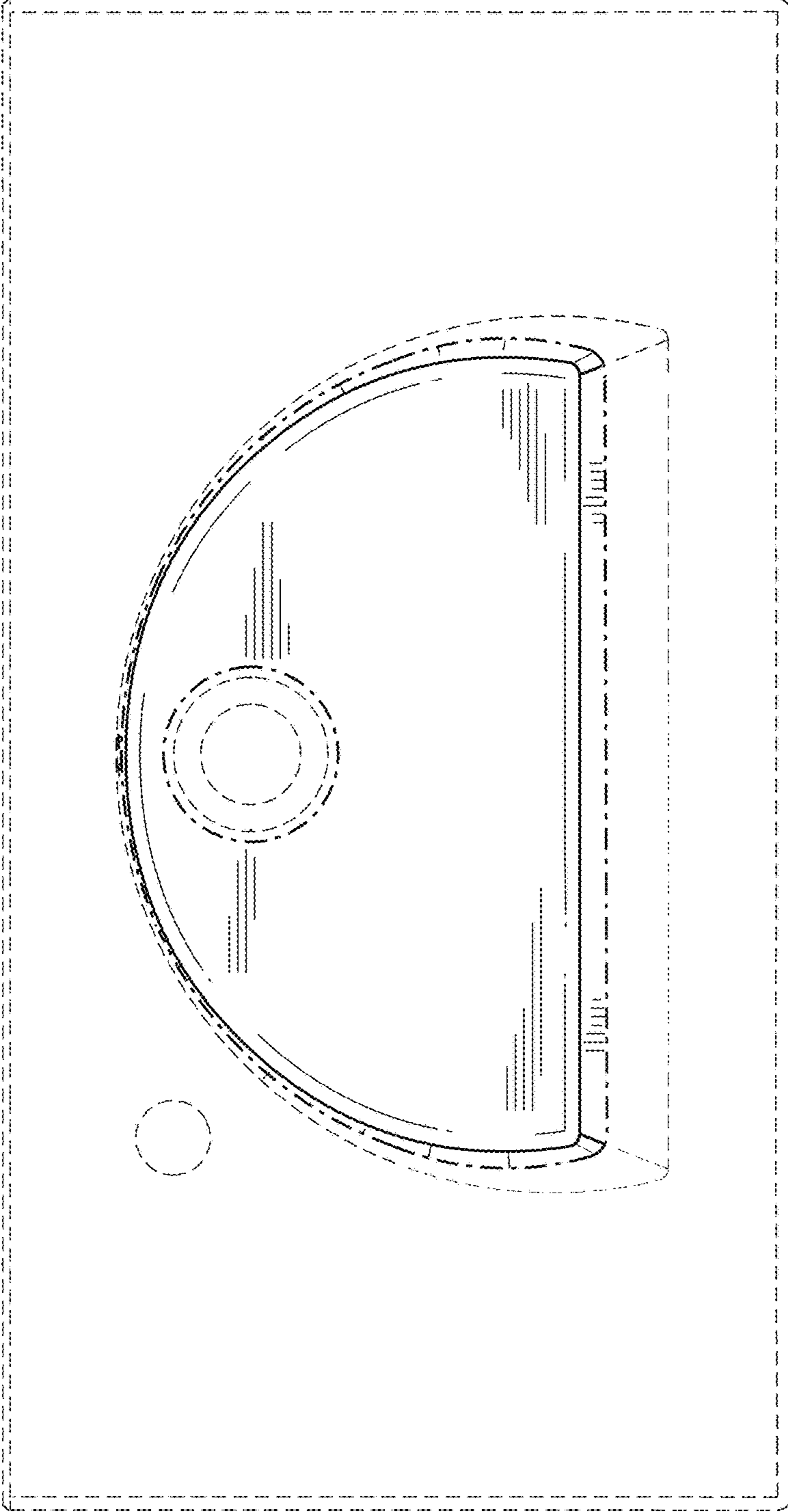


FIG. 9