



US00D866722S

(12) **United States Design Patent** (10) **Patent No.:** **US D866,722 S**
Kergoët (45) **Date of Patent:** **** Nov. 12, 2019**

(54) **VANITY**
(71) Applicant: **Kohler Co.**, Kohler, WI (US)
(72) Inventor: **François Kergoët**, Malakoff (FR)
(73) Assignee: **KOHLER CO.**, Kohler, WI (US)
(**) Term: **15 Years**
(21) Appl. No.: **29/648,019**
(22) Filed: **May 17, 2018**
(51) **LOC (12) Cl.** **23-01**
(52) **U.S. Cl.**
USPC **D23/284**
(58) **Field of Classification Search**
USPC D23/284, 288, 290, 308, 201
See application file for complete search history.

D598,085 S 8/2009 Booth
D634,822 S 3/2011 Bickerstaffe
D652,492 S * 1/2012 Slothower D23/293.1
D663,017 S * 7/2012 Slothower D23/308
D743,515 S * 11/2015 LeTourneau D23/284
D745,647 S * 12/2015 Schonherr D23/284
D759,795 S * 6/2016 LeTourneau D23/284
2006/0284526 A1* 12/2006 Pathmanathan A47B 46/00
312/228.1
2018/0070722 A1* 3/2018 Yang E03C 1/32

* cited by examiner

Primary Examiner — Robert A Delehanty
(74) Attorney, Agent, or Firm — Foley & Lardner LLP

(57) **CLAIM**

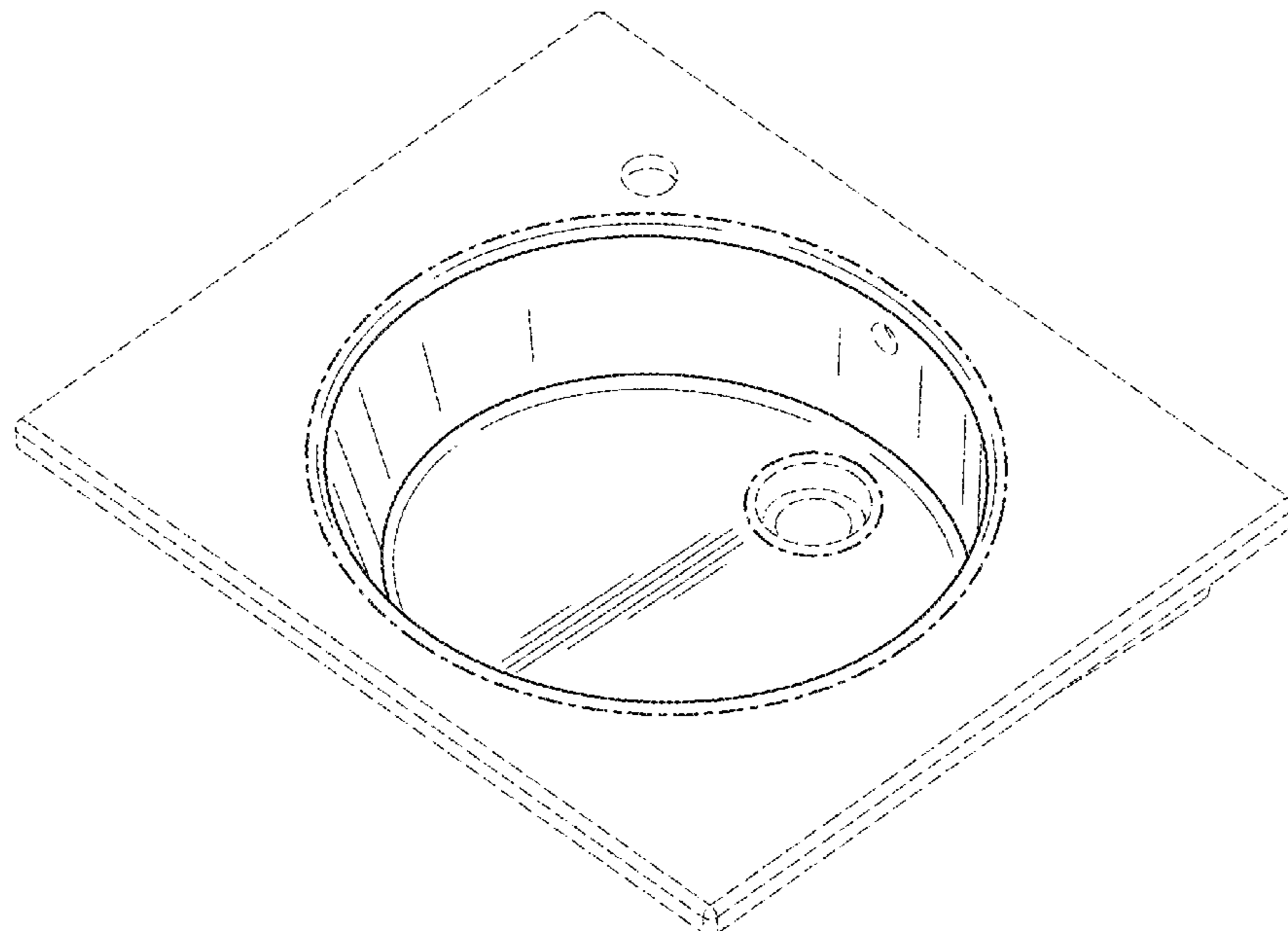
I claim the ornamental design for a vanity, as shown and described.

DESCRIPTION

FIG. 1 is a perspective view of an embodiment of the claimed design;
FIG. 2 is a top view of the embodiment of FIG. 1;
FIG. 3 is a bottom view of the embodiment of FIG. 1;
FIG. 4 is a front view of the embodiment of FIG. 1;
FIG. 5 is a rear view of the embodiment of FIG. 1;
FIG. 6 is a side view of the embodiment of FIG. 1;
FIG. 7 is another side view of the embodiment of FIG. 1;
FIG. 8 is a perspective view of another embodiment of the claimed design; and,
FIG. 9 is a top view of the embodiment of FIG. 9.
The ornamental design which is claimed is shown in solid lines in the drawings. The broken lines in the drawings are for illustrative purposes only and form no part of the claimed design. Broken lines formed of unequal length dashes (i.e., dash-dot) define bounds of the claimed design.

1 Claim, 6 Drawing Sheets

(56) **References Cited**
U.S. PATENT DOCUMENTS
D116,564 S * 9/1939 Love D23/290
3,578,737 A * 5/1971 Ruggles E03C 1/18
4/631
D299,166 S 12/1988 Reid
D319,497 S 8/1991 Reid
5,755,498 A * 5/1998 Cutler A47B 46/00
312/235.1
D461,881 S 8/2002 McKeone
D482,434 S 11/2003 Piatt
D495,792 S 9/2004 Sutopo
D497,416 S 10/2004 Piatt
D497,418 S 10/2004 Piatt
D504,718 S 5/2005 Piatt
D504,719 S 5/2005 Piatt
D504,720 S 5/2005 Piatt
D508,983 S 8/2005 Piatt
D510,987 S 10/2005 Piatt
D547,844 S * 7/2007 Mukai D23/293.1



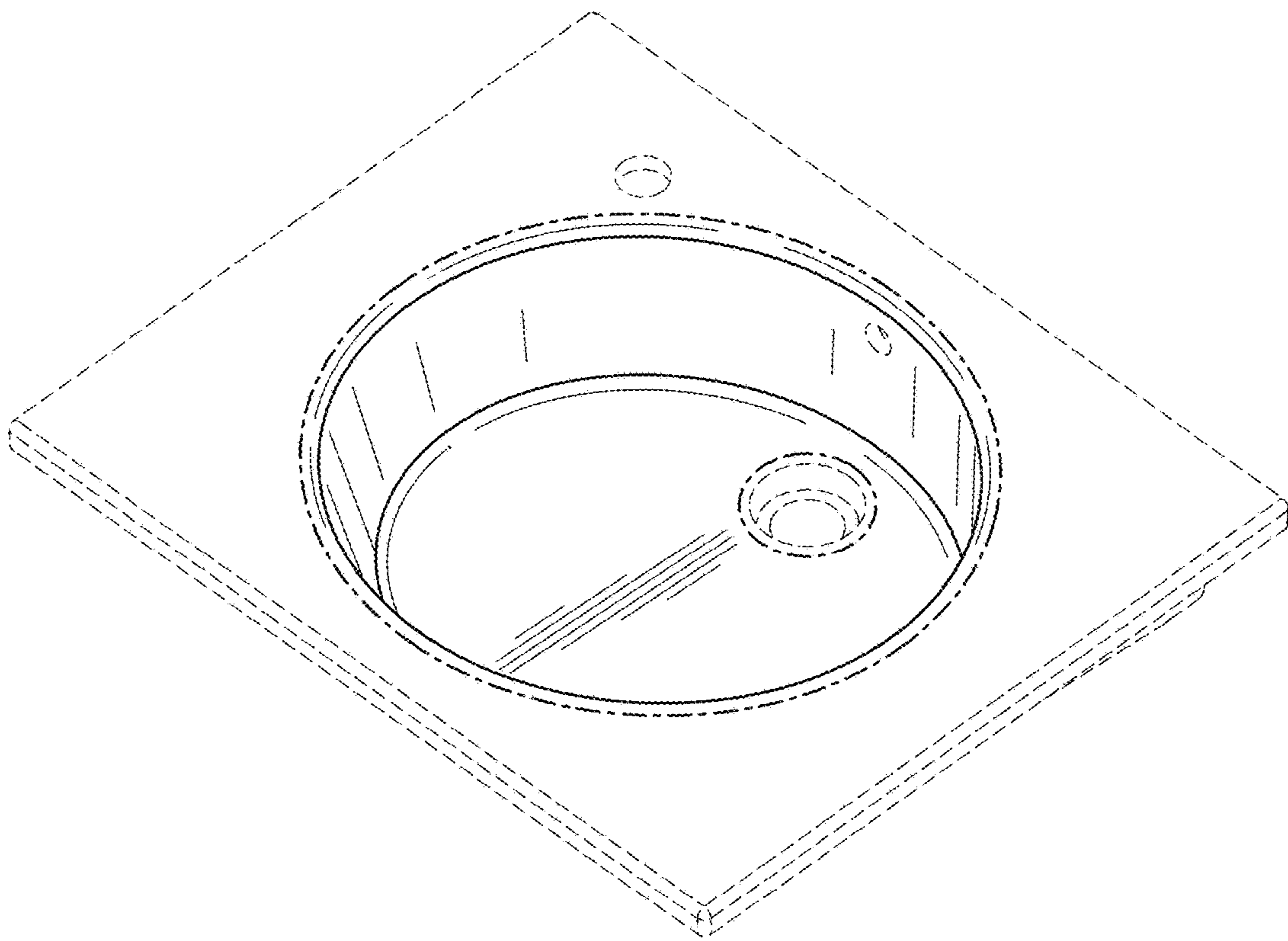


FIG. 1

FIG. 2

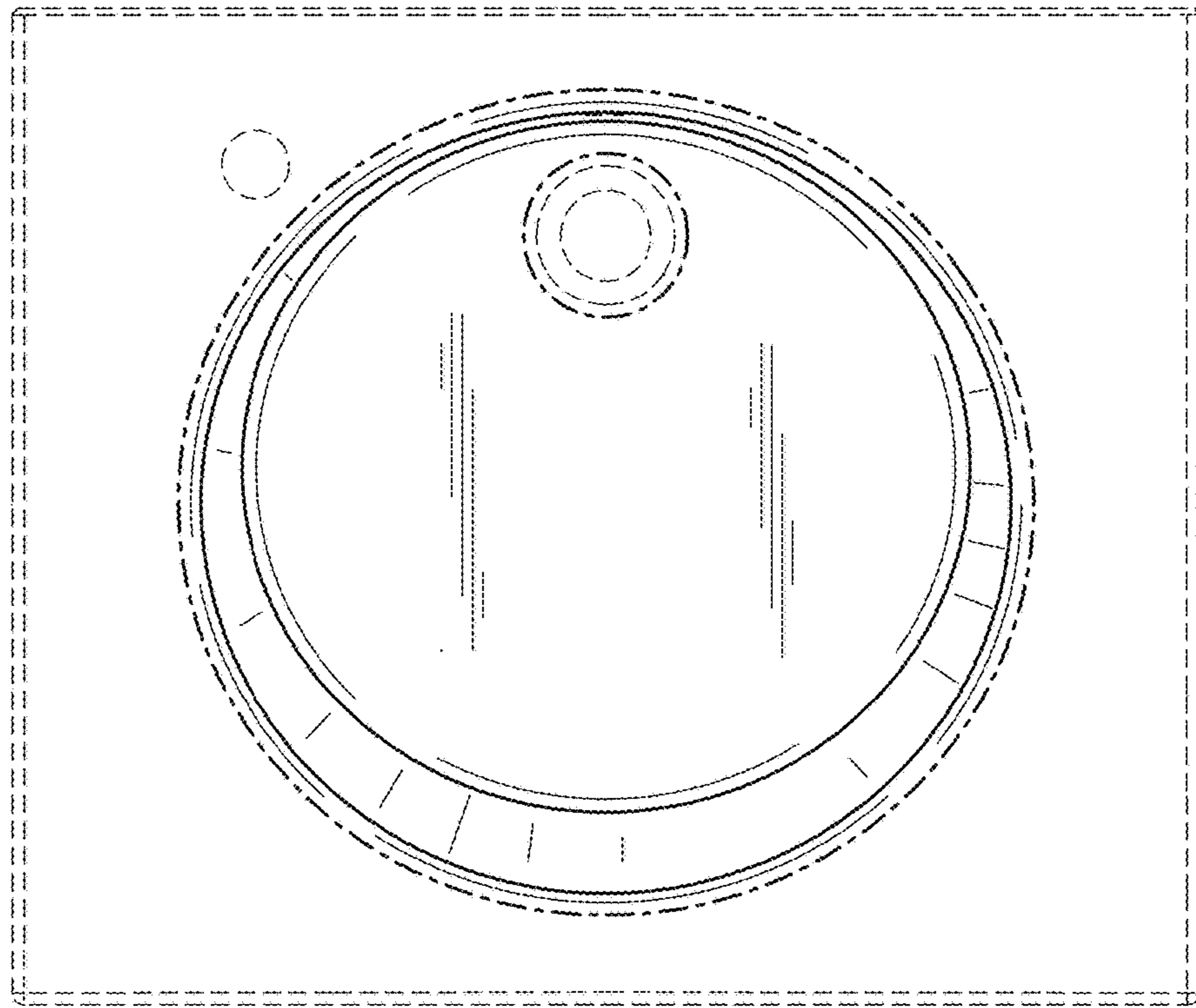
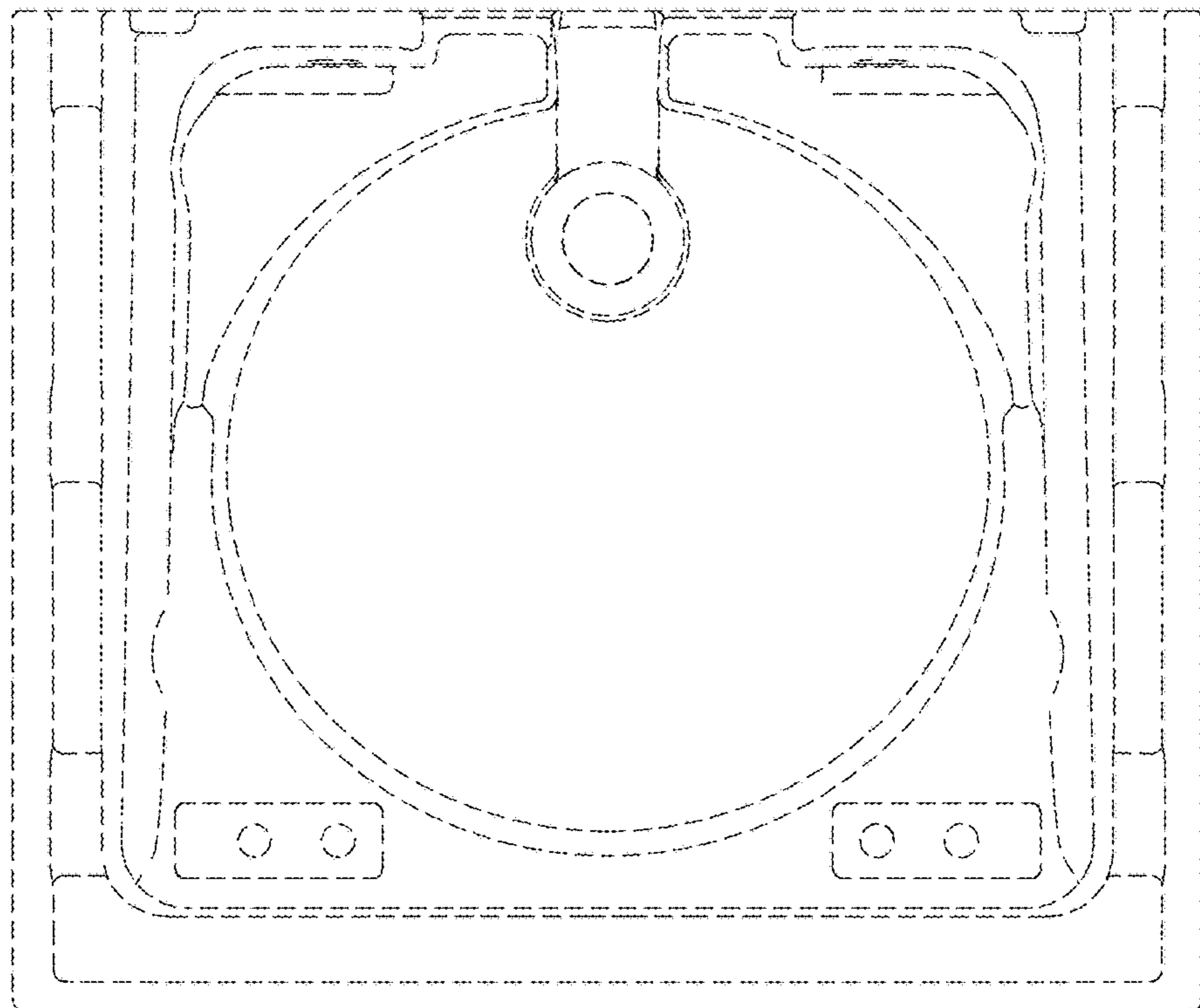


FIG. 3



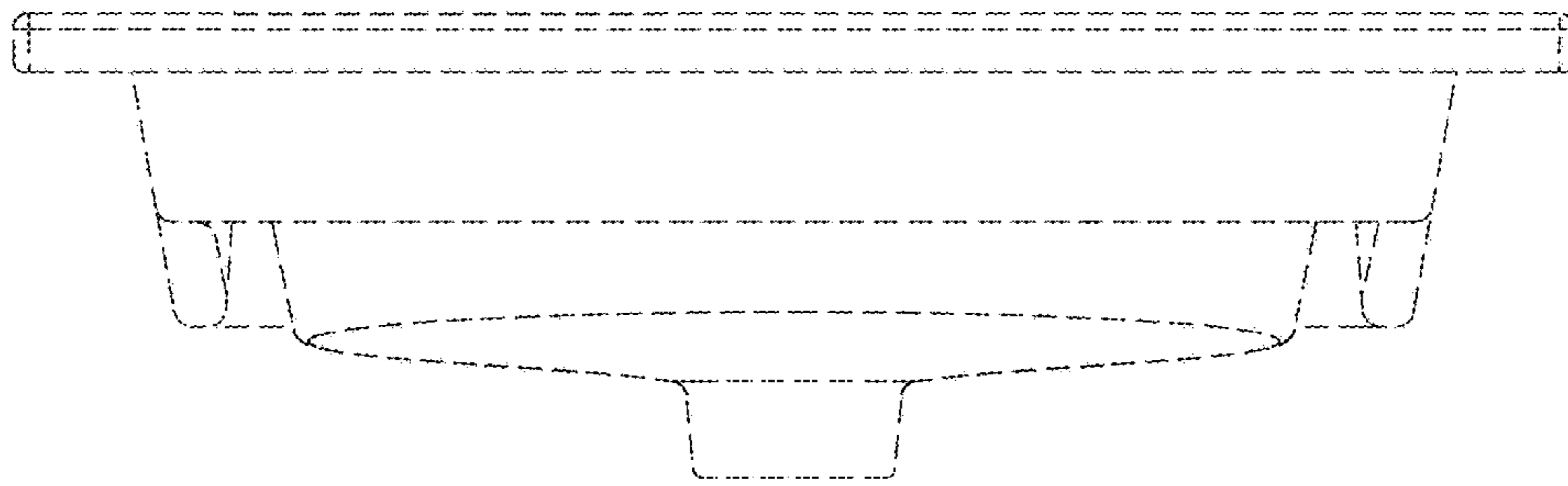


FIG. 4

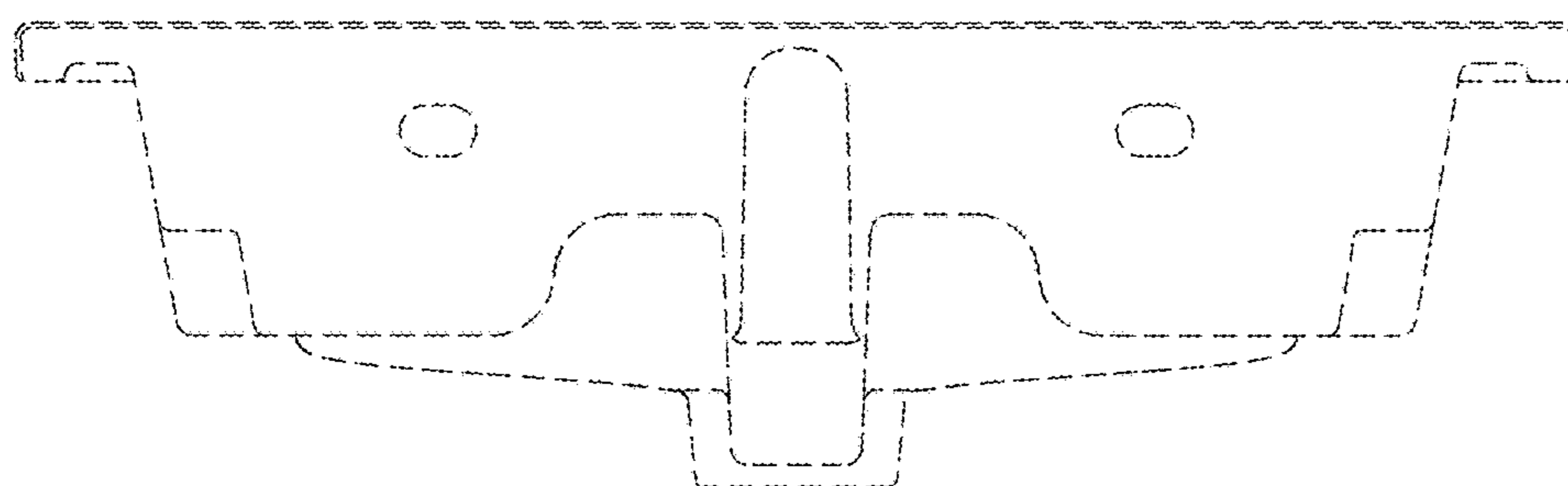


FIG. 5

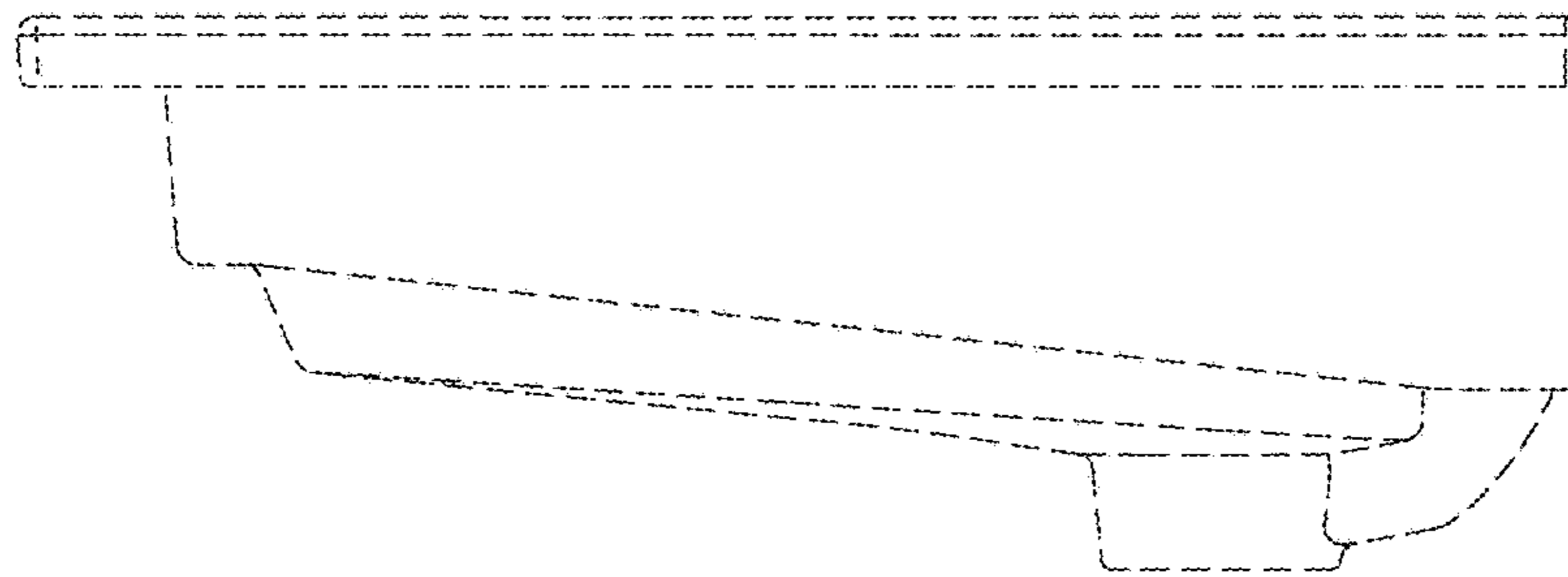


FIG. 6

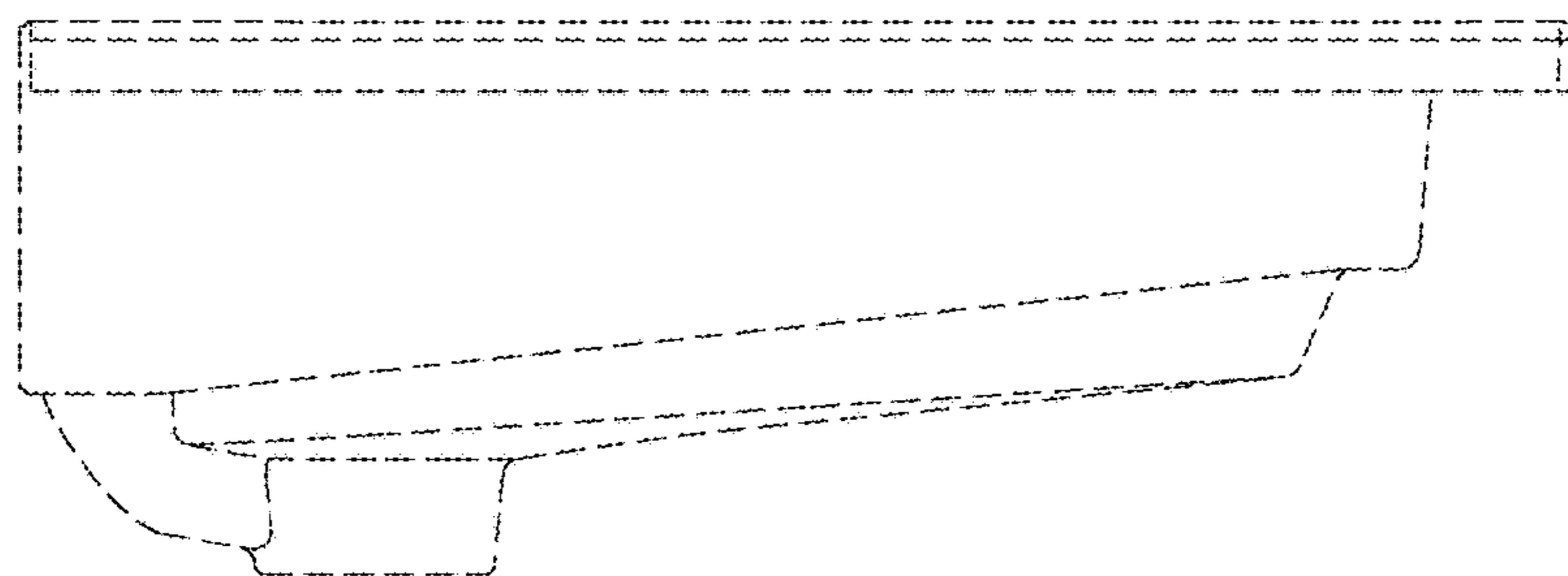


FIG. 7

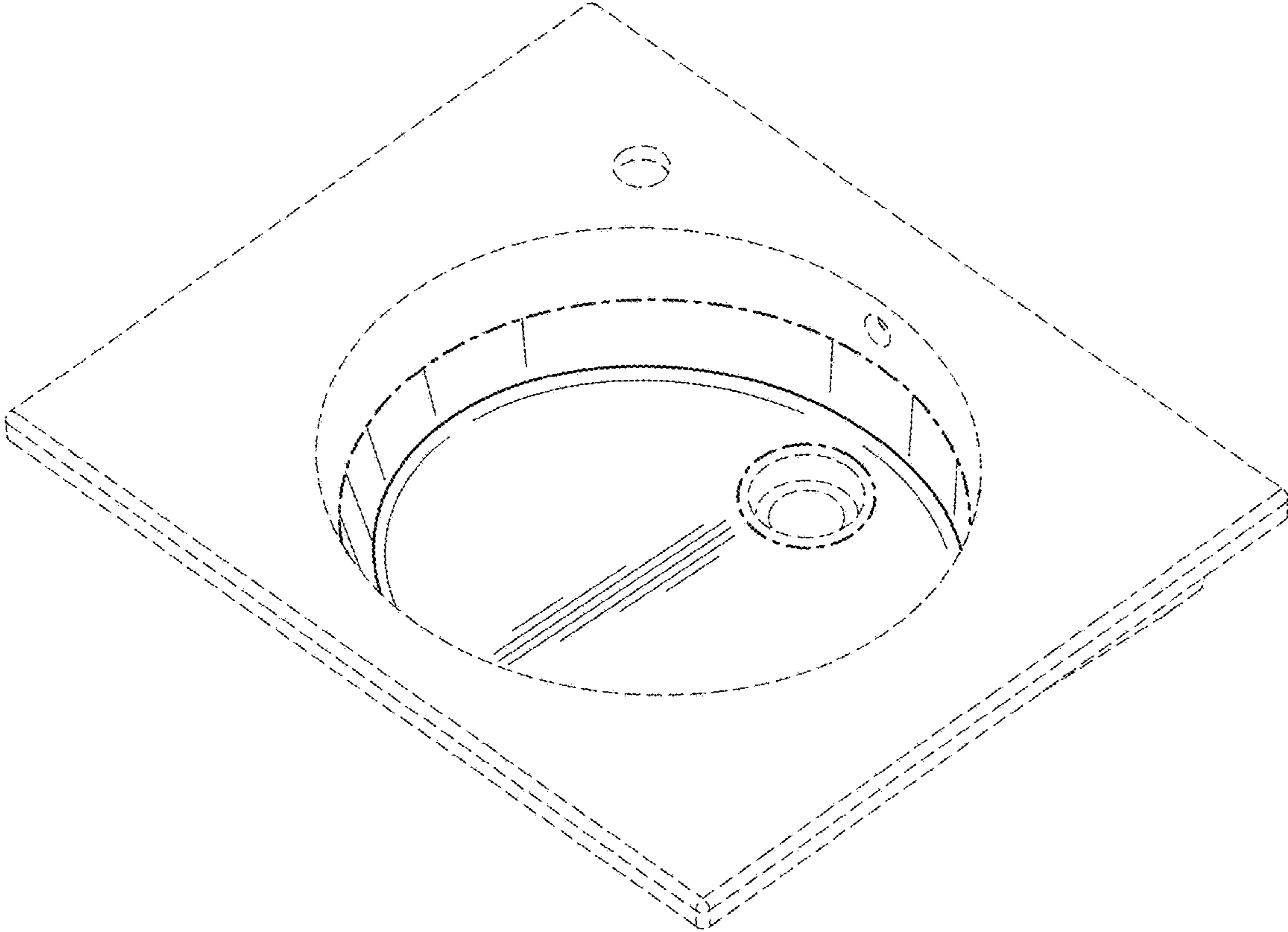


FIG. 8

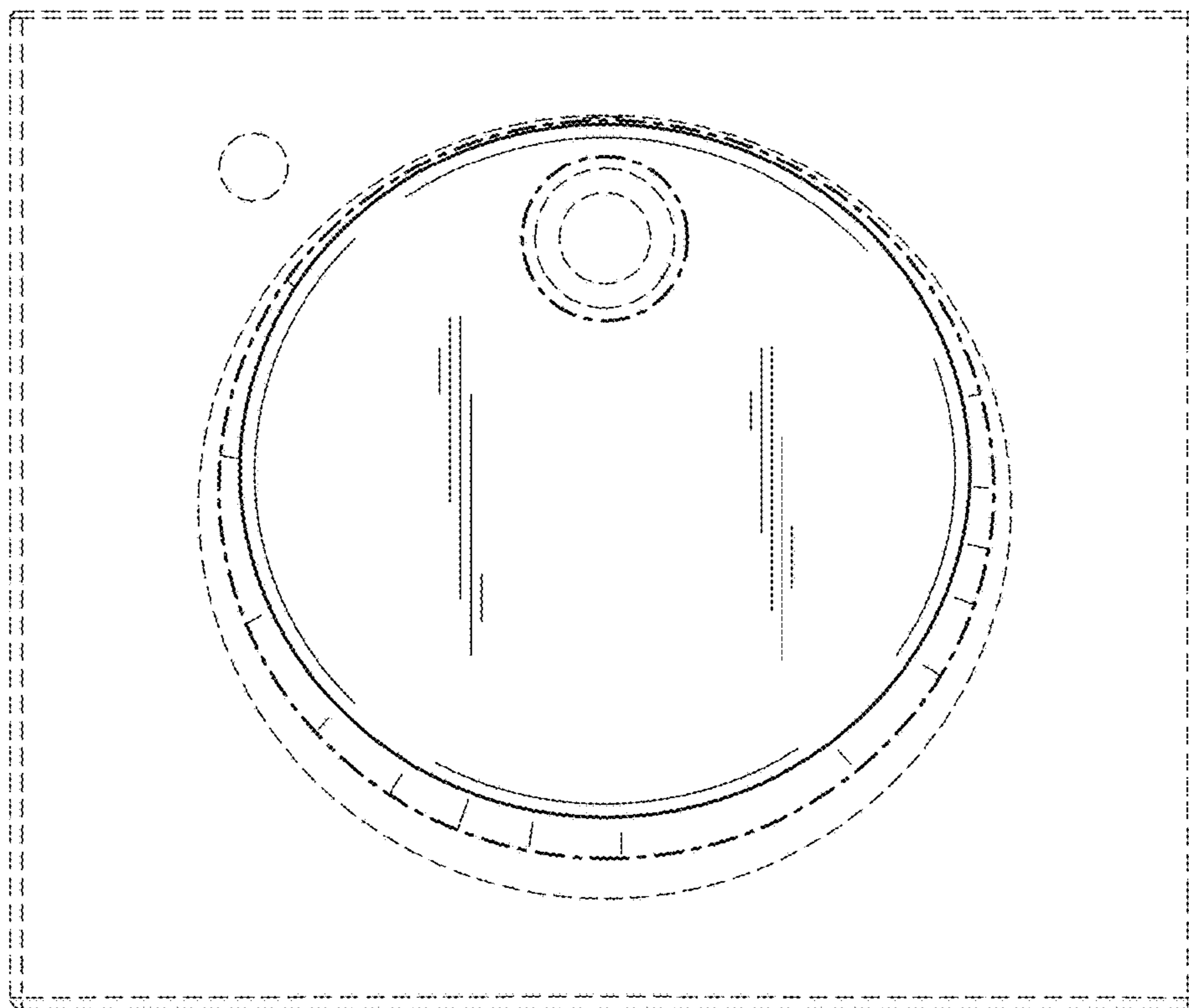


FIG. 9