



US00D866721S

(12) **United States Design Patent** (10) **Patent No.:** **US D866,721 S**
Bucher et al. (45) **Date of Patent:** **** Nov. 12, 2019**

(54) **BATHTUB**

(71) Applicant: **AS IP HOLDCO, LLC**, Piscataway, NJ (US)

(72) Inventors: **Christophe Bucher**, Hillsborough, NJ (US); **Jacob Nitz**, Brooklyn, NY (US)

(73) Assignee: **AS AMERICA, INC.**, Piscataway, NJ (US)

(**) Term: **15 Years**

(21) Appl. No.: **29/624,025**

(22) Filed: **Oct. 30, 2017**

(51) **LOC (12) Cl.** **23-02**

(52) **U.S. Cl.**
USPC **D23/280.1**

(58) **Field of Classification Search**
USPC ... D23/277-279, 280.1, 280.2, 280.3, 280.4, D23/304-307
CPC A47K 3/006; A47K 3/02; A47K 3/022; E05C 9/16
See application file for complete search history.

(56) **References Cited**

U.S. PATENT DOCUMENTS

D470,579	S	*	2/2003	Foster	D23/280.1
D560,768	S	*	1/2008	Smith	D23/280.1
D564,639	S	*	3/2008	Bruce	D23/280.1
D595,392	S	*	6/2009	Verlinden	D23/278
D633,603	S	*	3/2011	Su	D23/280.1
D633,604	S	*	3/2011	Hoh	D23/280.1
D638,524	S	*	5/2011	Thomas	D23/280.1
D724,706	S	*	3/2015	Meneghello	D23/277
D725,754	S		3/2015	Spangler		
D728,760	S	*	5/2015	Spangler	D23/277
D745,645	S	*	12/2015	Burke	D23/277
D747,446	S	*	1/2016	Yoshioka	D23/277
D834,157	S	*	11/2018	L'Henaff	D23/277

OTHER PUBLICATIONS

Lush Free Standing Bathtub (VA1045); http://www.valleyacrylic.com/store/index.php?route=product/product&product_id=619&search=lush&description=true, downloaded Oct. 5, 2017.

OMSA Professional Acrylic Bathtub Manufacturer; <http://en.chinaomsa.com/product.asp>, downloaded Oct. 5, 2017.

(Continued)

Primary Examiner — Brandon M Rosati

Assistant Examiner — John A Voytek

(74) *Attorney, Agent, or Firm* — Morgan, Lewis & Bockius LLP

(57) **CLAIM**

The ornamental design for a bathtub, as shown and described.

DESCRIPTION

FIG. 1 is a perspective view of a bathtub showing our new design;

FIG. 2 is a front elevational view of the bathtub shown in FIG. 1;

FIG. 3 is a rear elevational view of the bathtub shown in FIG. 1;

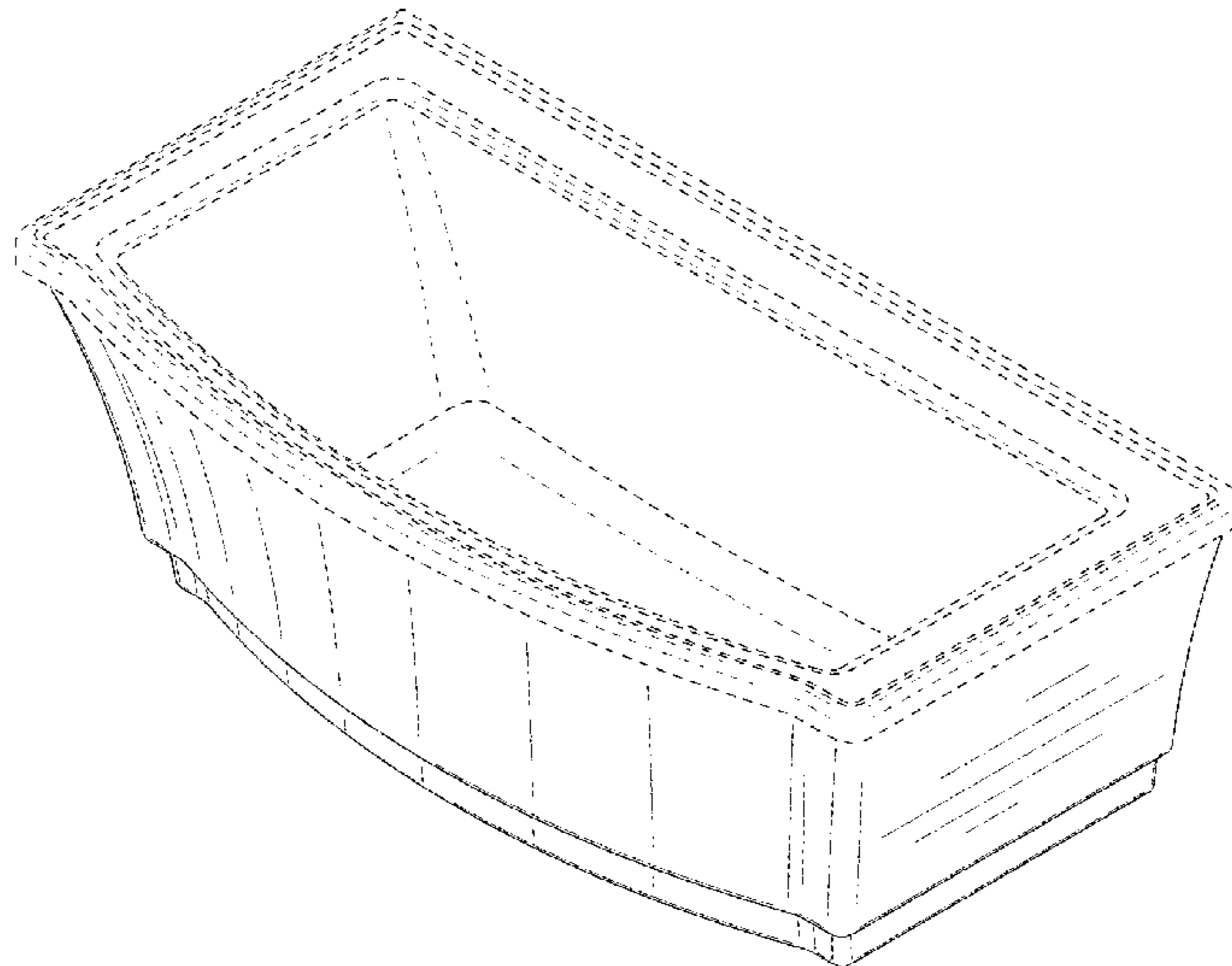
FIG. 4 is a left-side elevational view of the bathtub shown in FIG. 1;

FIG. 5 is a right-side elevational view of the bathtub shown in FIG. 1;

FIG. 6 is a top plan view of the bathtub shown in FIG. 1; and, FIG. 7 is a bottom plan view of the bathtub shown in FIG. 1.

The broken lines immediately adjacent the shaded areas represent the bounds of the claimed design, while all other broken lines depict portions of the article that form no part of the claimed design.

1 Claim, 4 Drawing Sheets



(56)

References Cited

OTHER PUBLICATIONS

Fleurco Sonnet Acrylic bathtub; http://designashower.com/uploads/tub/spec_pdf/30/Sonnet_BSO6039_Gen_Specs.pdf, downloaded Oct. 5, 2017.

Victoria + Albert Eldon bathtub; <https://vandabaths.com/us/americas/product/eldon/>, downloaded Oct. 5, 2017.

* cited by examiner

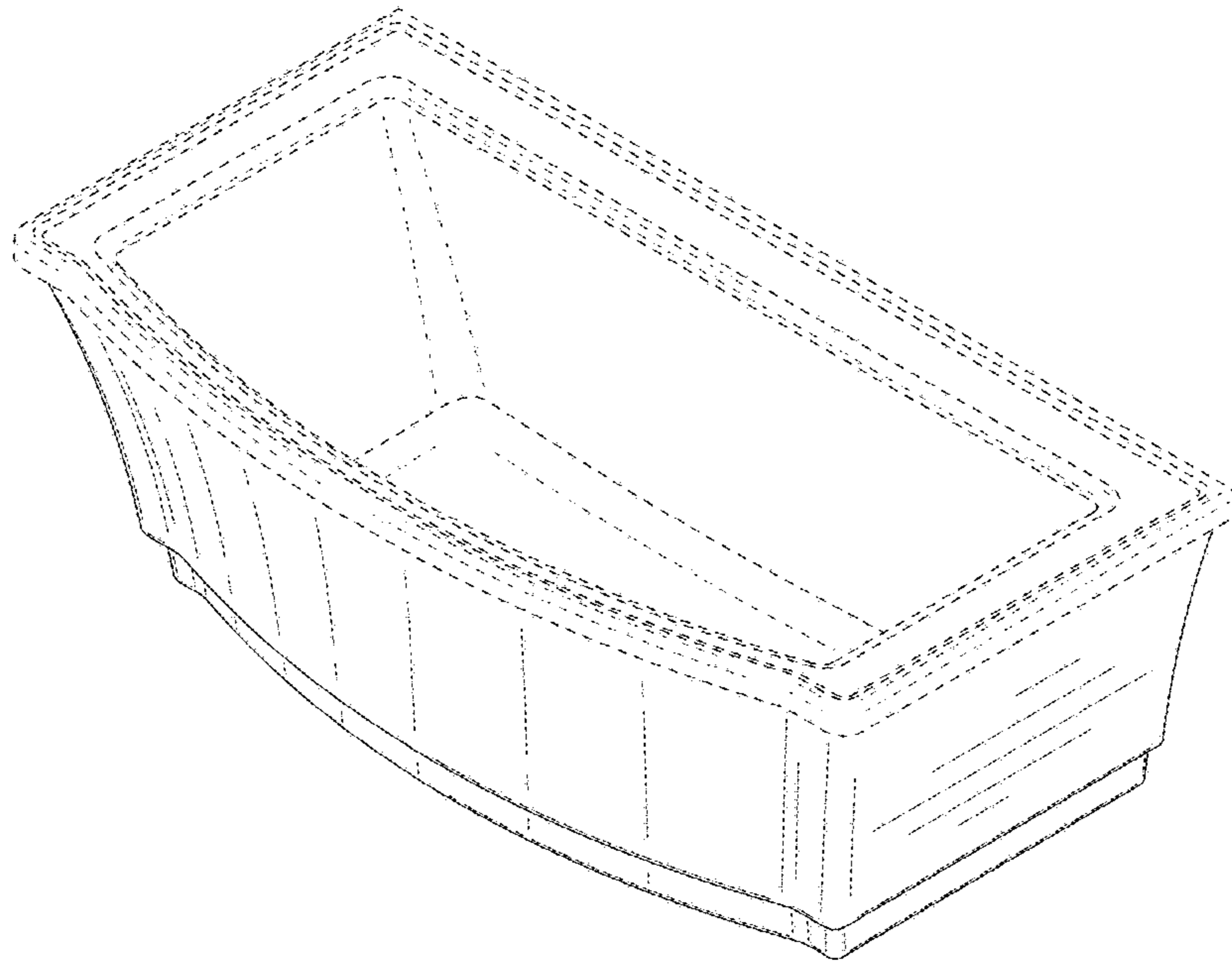


FIG. 1

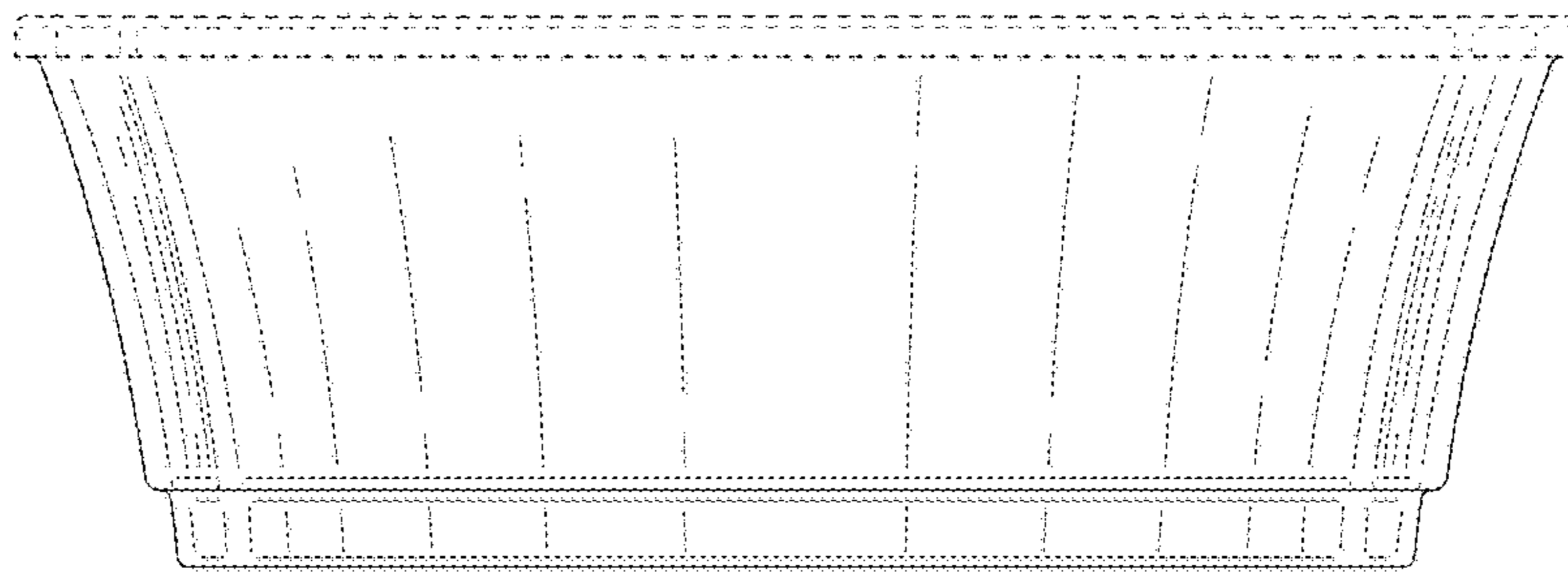


FIG. 2

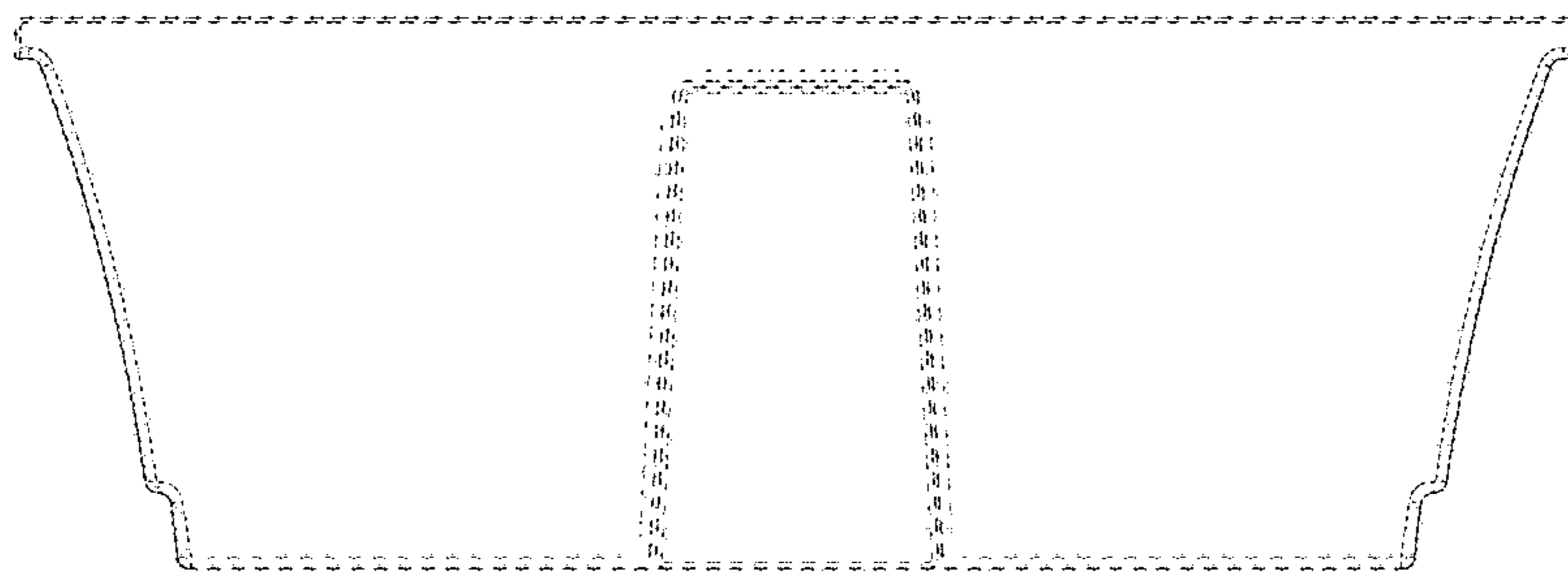


FIG. 3

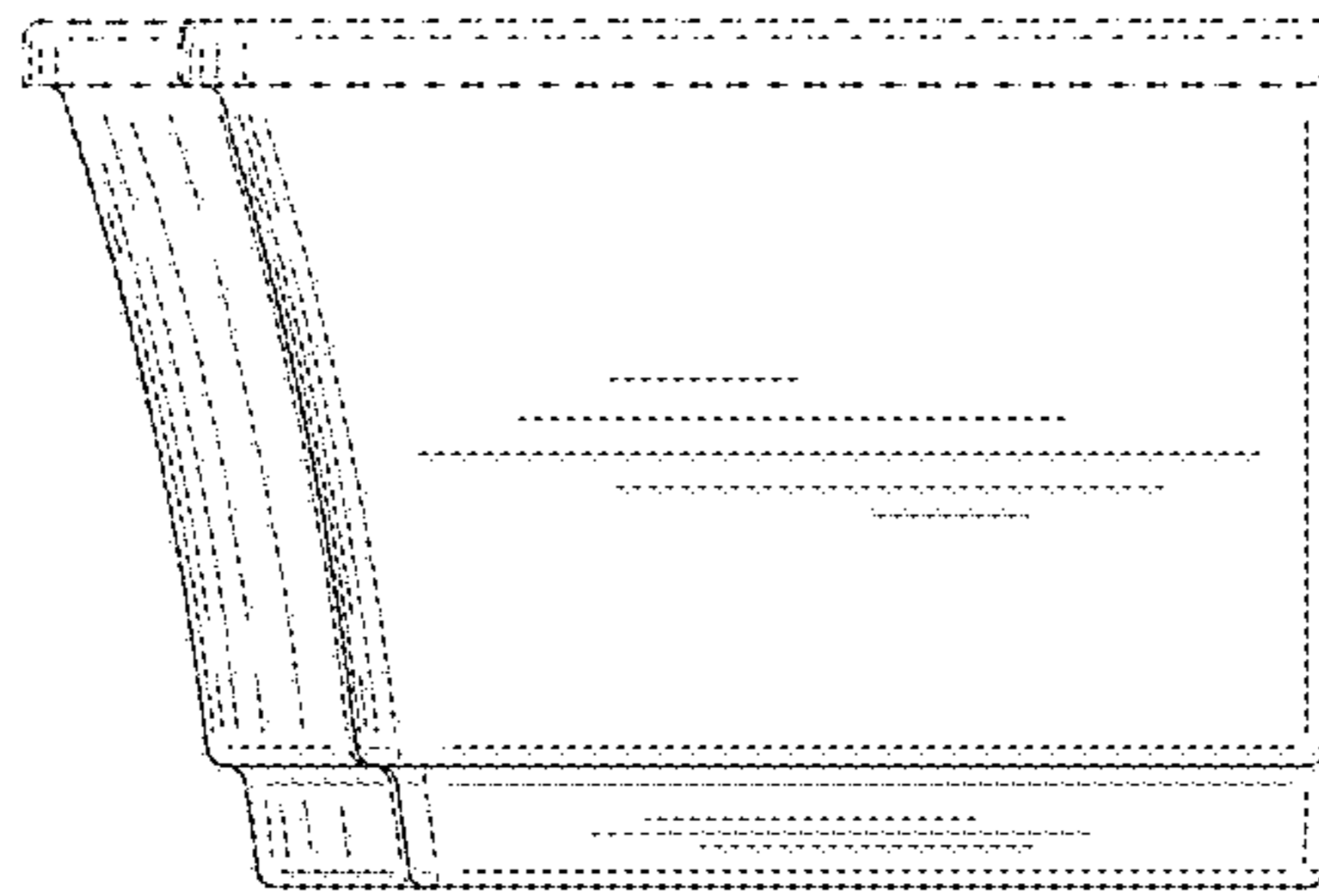


FIG. 4

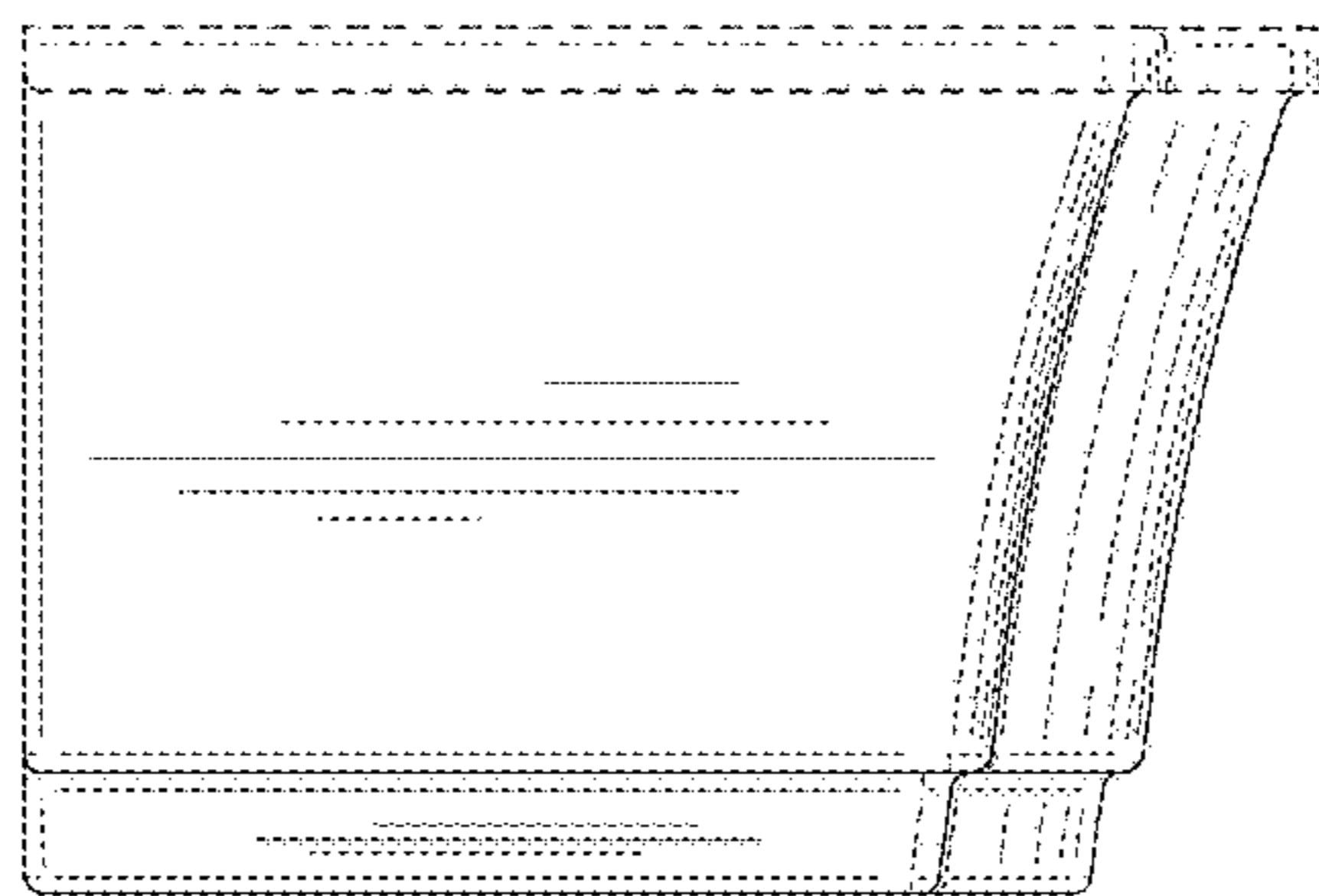


FIG. 5

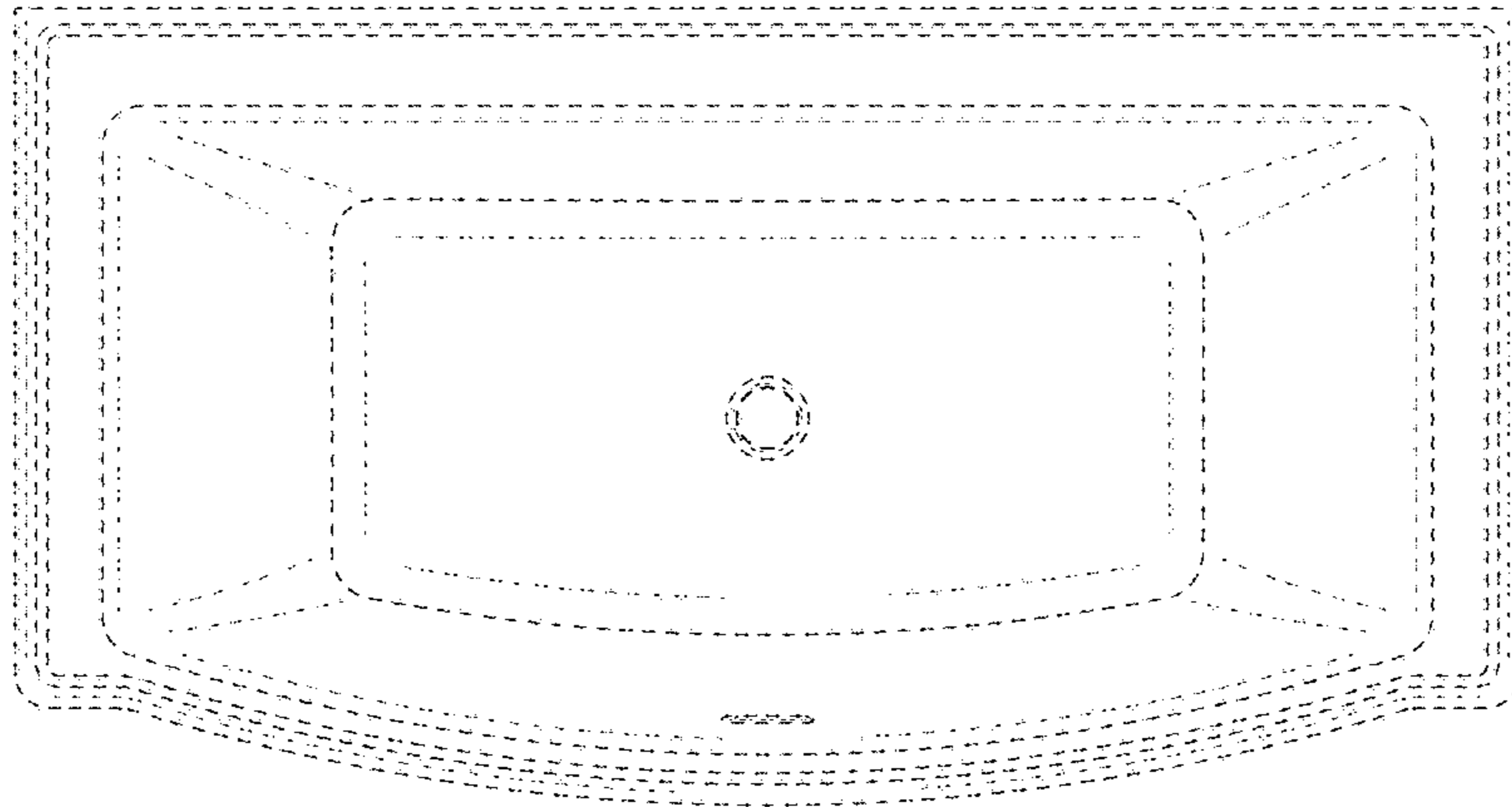


FIG. 6

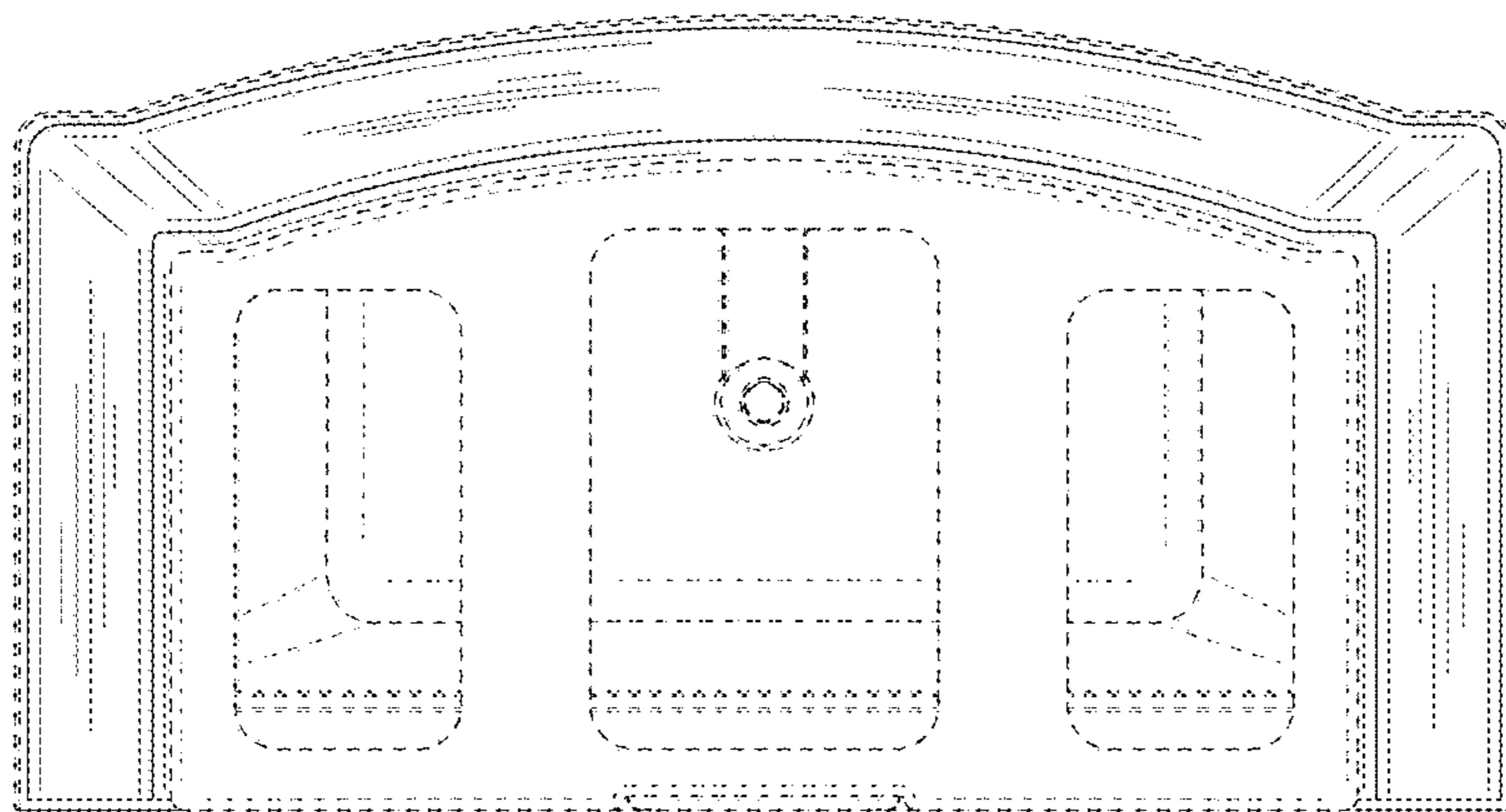


FIG. 7