

US00D866718S

(12) **United States Design Patent** (10) **Patent No.:** **US D866,718 S**
Chen (45) **Date of Patent:** **** Nov. 12, 2019**

(54) **FAUCET SPOUT**

(71) Applicant: **Yuangao Chen**, Ruian (CN)

(72) Inventor: **Hui Chen**, Ruian (CN)

(**) Term: **15 Years**

(21) Appl. No.: **29/701,200**

(22) Filed: **Aug. 9, 2019**

(51) **LOC (12) Cl.** **23-01**

(52) **U.S. Cl.**
USPC **D23/255**

(58) **Field of Classification Search**
USPC D23/238, 241-243, 255, 257
See application file for complete search history.

(56) **References Cited**

U.S. PATENT DOCUMENTS

D518,558 S *	4/2006	Soriano	D23/255
D532,870 S	11/2006	Lobermeier et al.		
D574,469 S *	8/2008	Soriano	D23/255
D670,361 S	11/2012	Georgeson et al.		
D691,708 S	10/2013	Georgeson et al.		
D802,720 S *	11/2017	Haug	D23/238
D810,889 S *	2/2018	Bahler	D23/255
D853,527 S *	7/2019	Eads	D23/238

* cited by examiner

Primary Examiner — Robert A Delehanty

(74) *Attorney, Agent, or Firm* — Wayne V. Harper

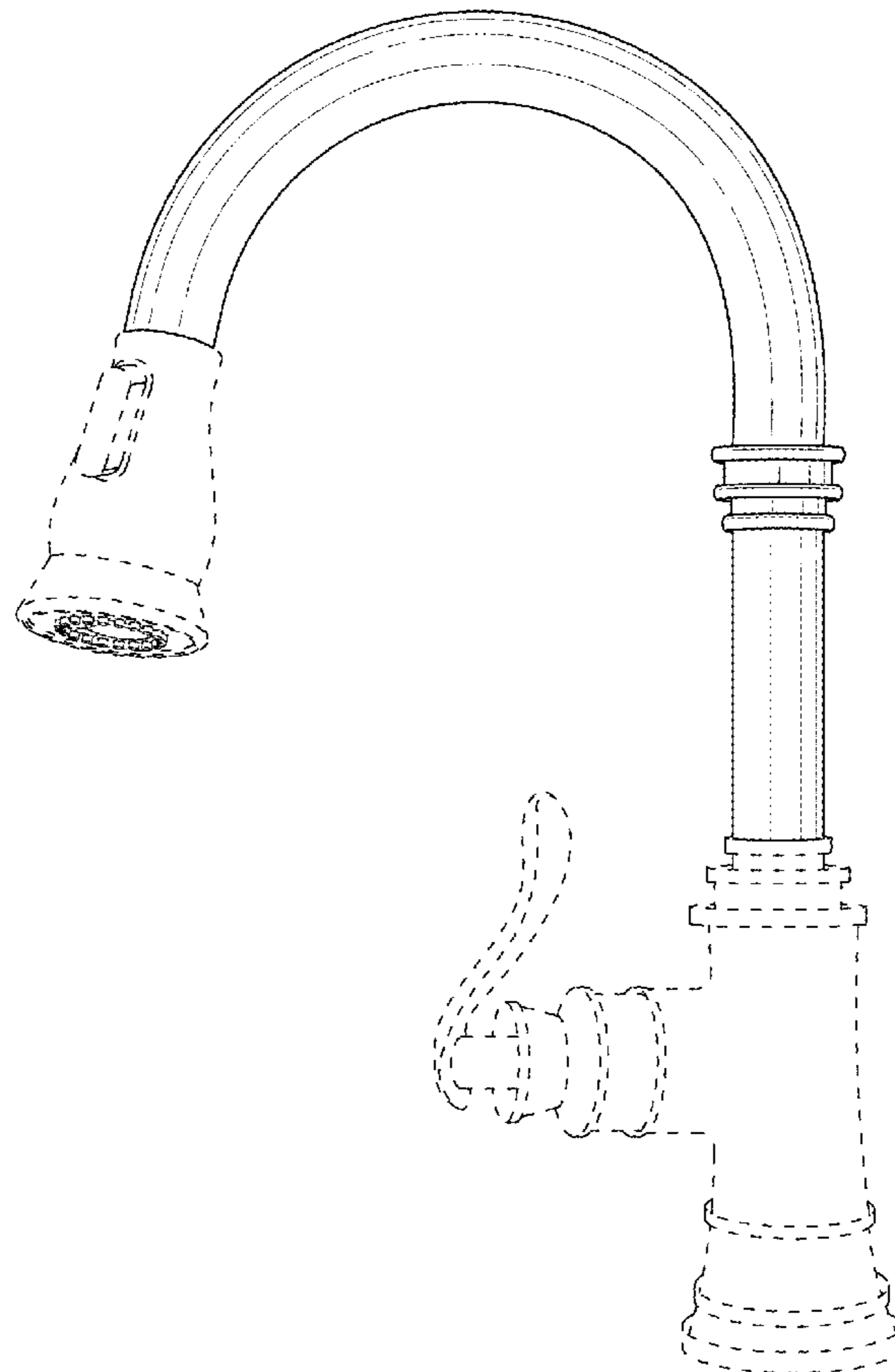
(57) **CLAIM**

I claim the ornamental design for a faucet spout, as shown and described.

DESCRIPTION

FIG. 1 is a Perspective view of a faucet spout showing my new design;
FIG. 2 is a Right-side view of the faucet spout as shown in FIG. 1;
FIG. 3 is a Left-side view of the faucet spout as shown in FIG. 1;
FIG. 4 is a Front view of the faucet spout as shown in FIG. 1;
FIG. 5 is a Back view of the faucet spout as shown in FIG. 1;
FIG. 6 is a Top view of the faucet spout as shown in FIG. 1; and,
FIG. 7 is Bottom view of the faucet spout as shown in FIG. 1.
The broken lines are only for environmental purposes and form no part of the claimed design.

1 Claim, 6 Drawing Sheets



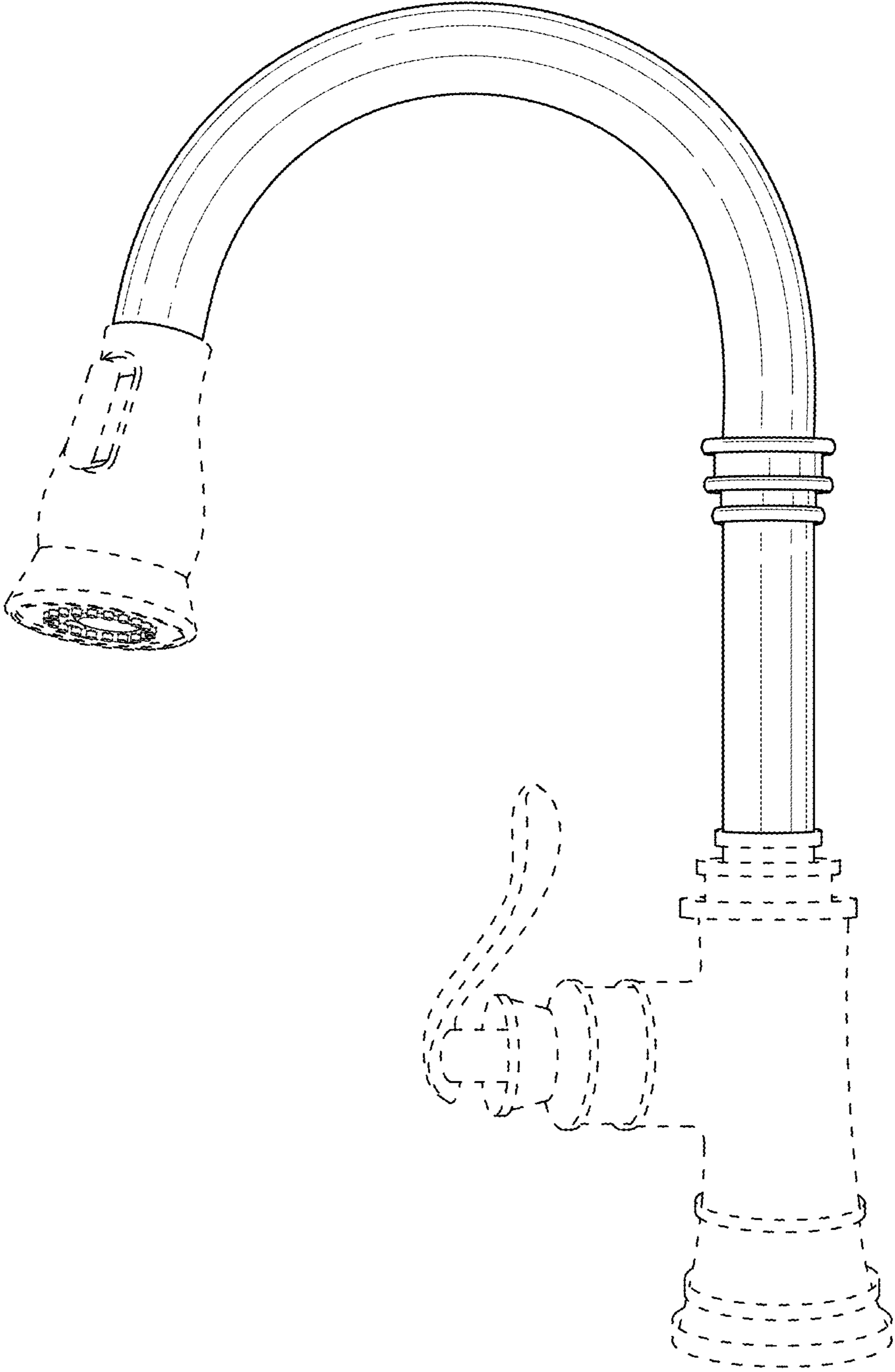


FIG. 1

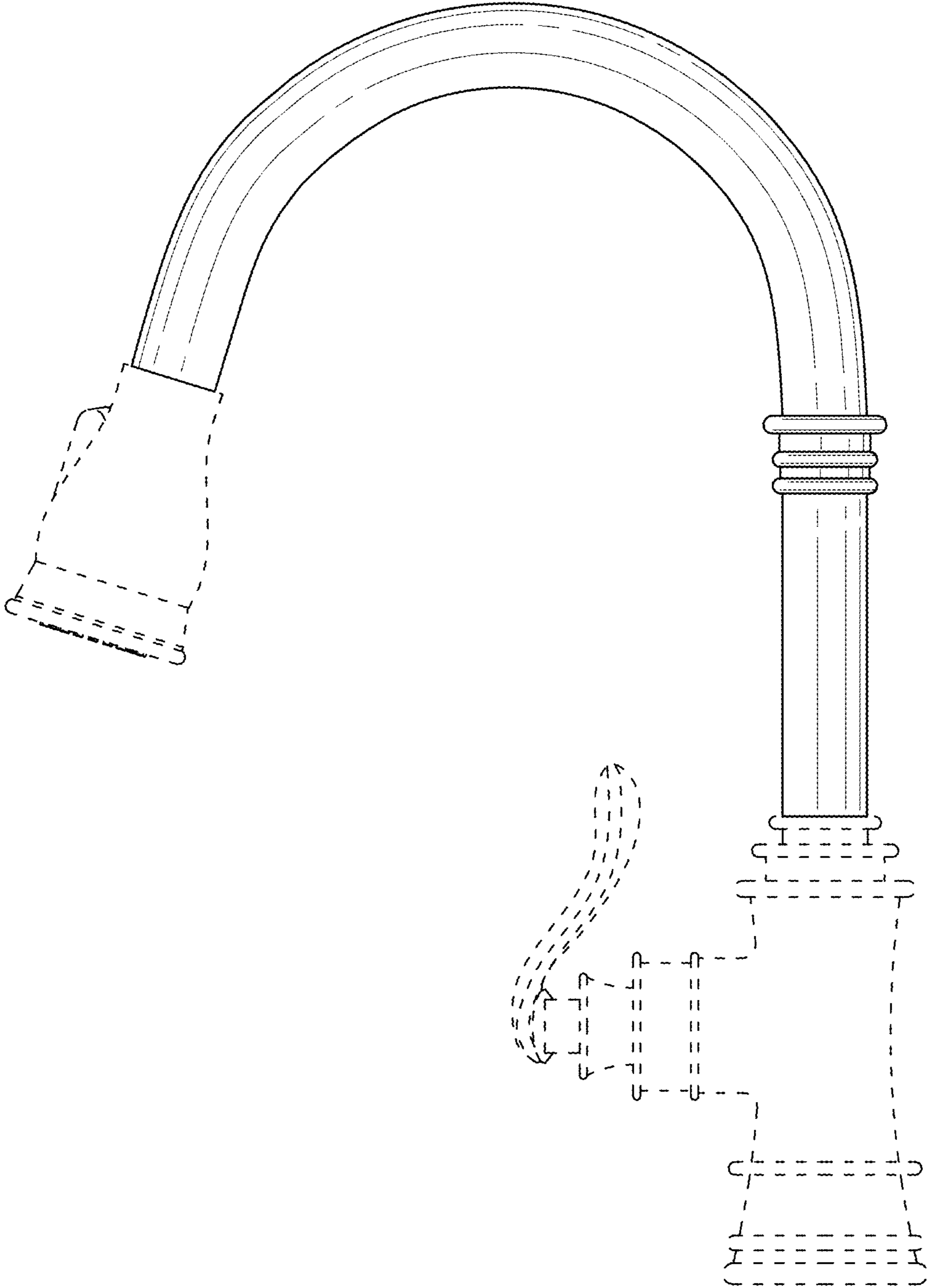


FIG. 2

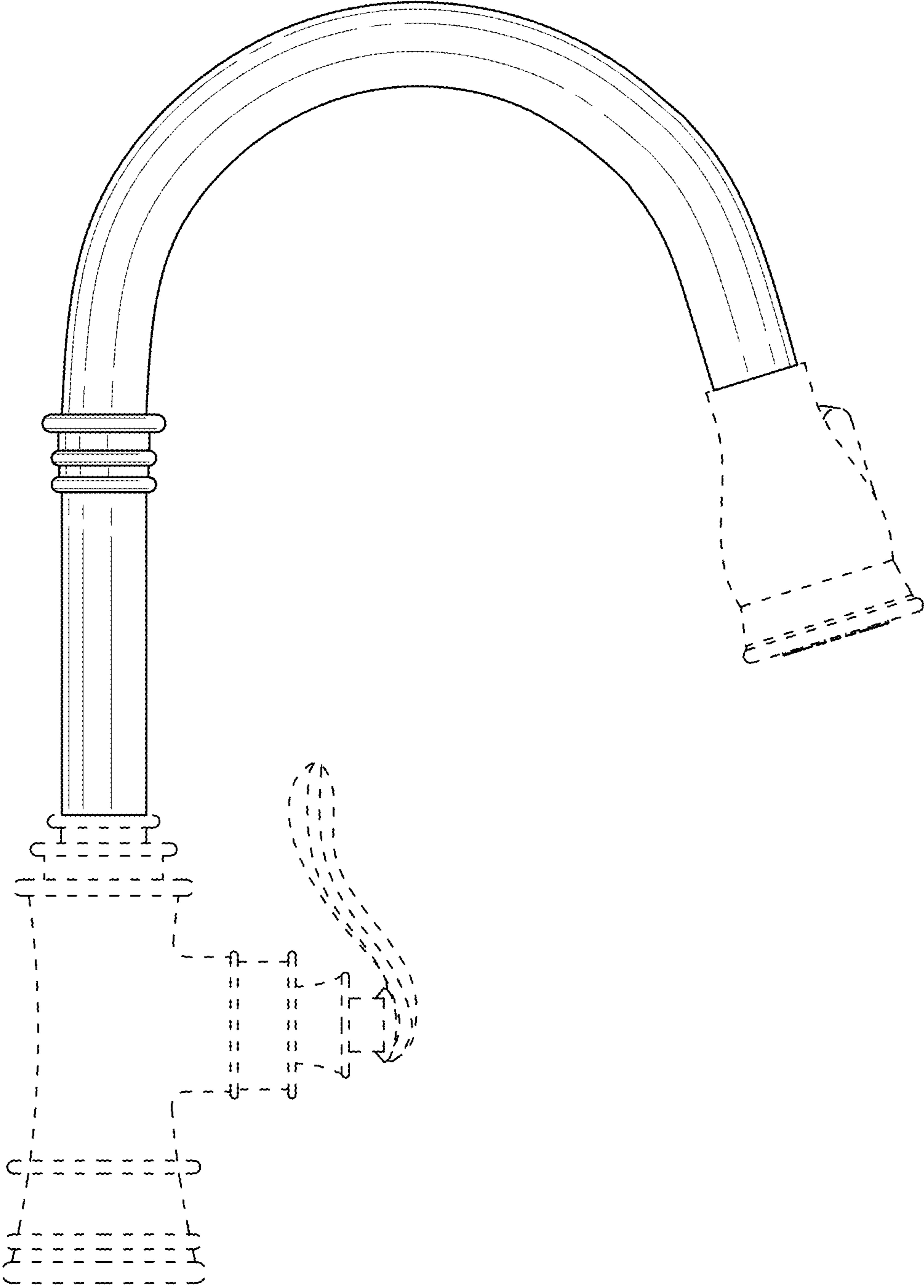


FIG. 3

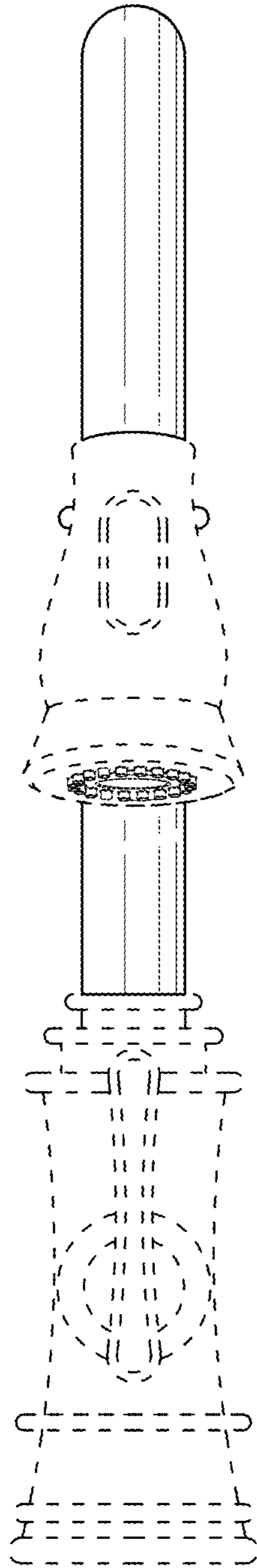


FIG. 4

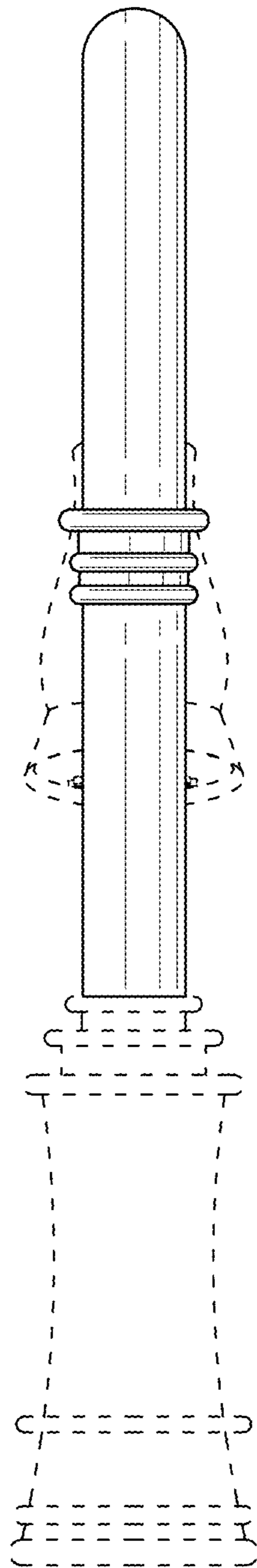


FIG. 5

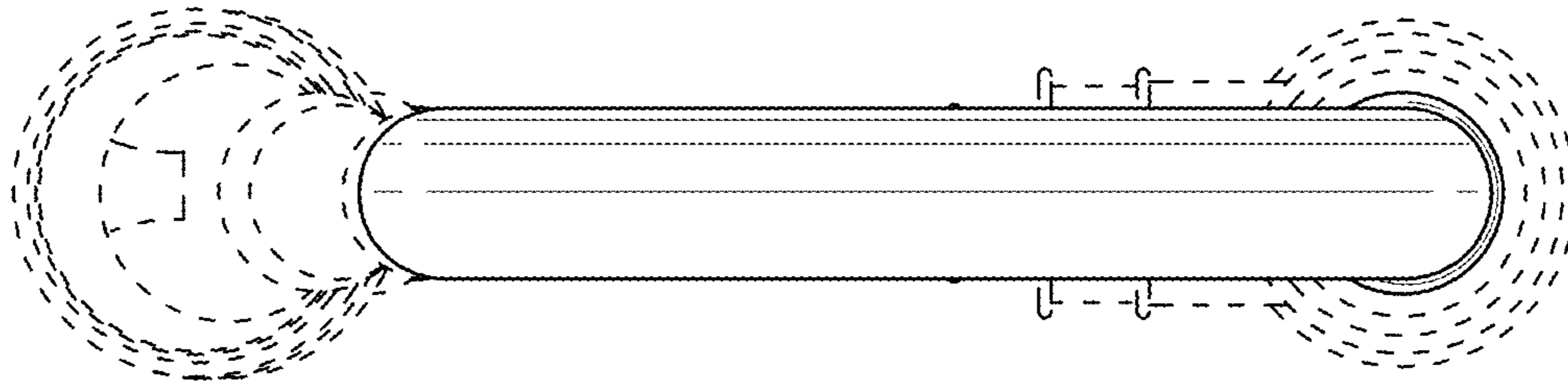


FIG. 6

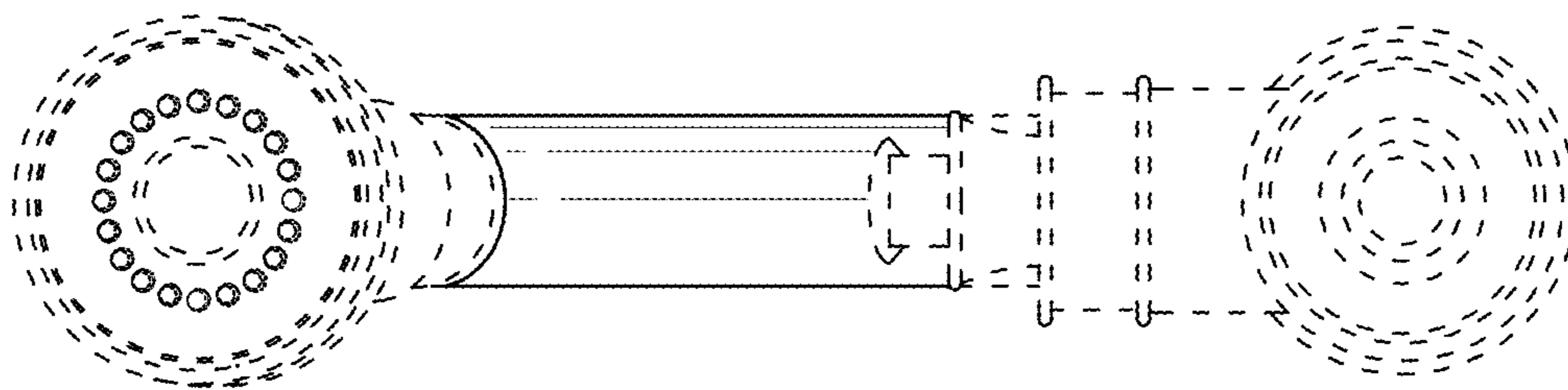


FIG. 7