



US00D866716S

(12) **United States Design Patent** (10) **Patent No.:** **US D866,716 S**
Meyers et al. (45) **Date of Patent:** **** Nov. 12, 2019**

- (54) **FAUCET**
- (71) Applicant: **Beijing Kohler Ltd.**, Beijing (CN)
- (72) Inventors: **Jordan Meyers**, Paradise Valley, AZ (US); **Chia Ying Lee**, Chicago, IL (US); **Sophie Su**, Shanghai (CN)
- (73) Assignee: **BEIJING KOHLER LTD.**, Beijing (CN)
- (**) Term: **15 Years**
- (21) Appl. No.: **29/701,177**
- (22) Filed: **Aug. 8, 2019**

- 3,185,034 A 5/1965 Youngblood, Jr.
- D597,175 S 7/2009 Kulig
- D674,704 S 1/2013 Baussan
- D758,745 S 6/2016 Blakely
- D787,642 S 5/2017 Kirar
- D799,295 S 10/2017 Huttunen
- D813,986 S 3/2018 Schoenherr

(Continued)

Primary Examiner — Robert A Delehanty
(74) *Attorney, Agent, or Firm* — Foley & Lardner LLP

(57) **CLAIM**

We claim the ornamental design for a faucet, as shown and described.

DESCRIPTION

FIG. 1 is a perspective view of another embodiment of the claimed design;

FIG. 2 is a front view of the claimed design shown in FIG. 1;

FIG. 3 is a rear view of the claimed design shown in FIG. 1;

FIG. 4 is a side view of the claimed design shown in FIG. 1;

FIG. 5 is a side view of the claimed design shown in FIG. 1;

FIG. 6 is a top view of the claimed design shown in FIG. 1; and,

FIG. 7 is a top view of the claimed design shown in FIG. 1.

The ornamental design that is claimed is shown in the drawings as solid lines and surfaces having surface shading. The broken lines in the drawings are for illustrative purposes only and form no part of the claimed design. For example, broken lines formed by equal length dashes show unclaimed portions of the design. Broken lines formed of unequal length dashes (i.e., dash-dot) show boundaries between either claimed and unclaimed portions of the design or between unclaimed and unclaimed portions of the design.

Related U.S. Application Data

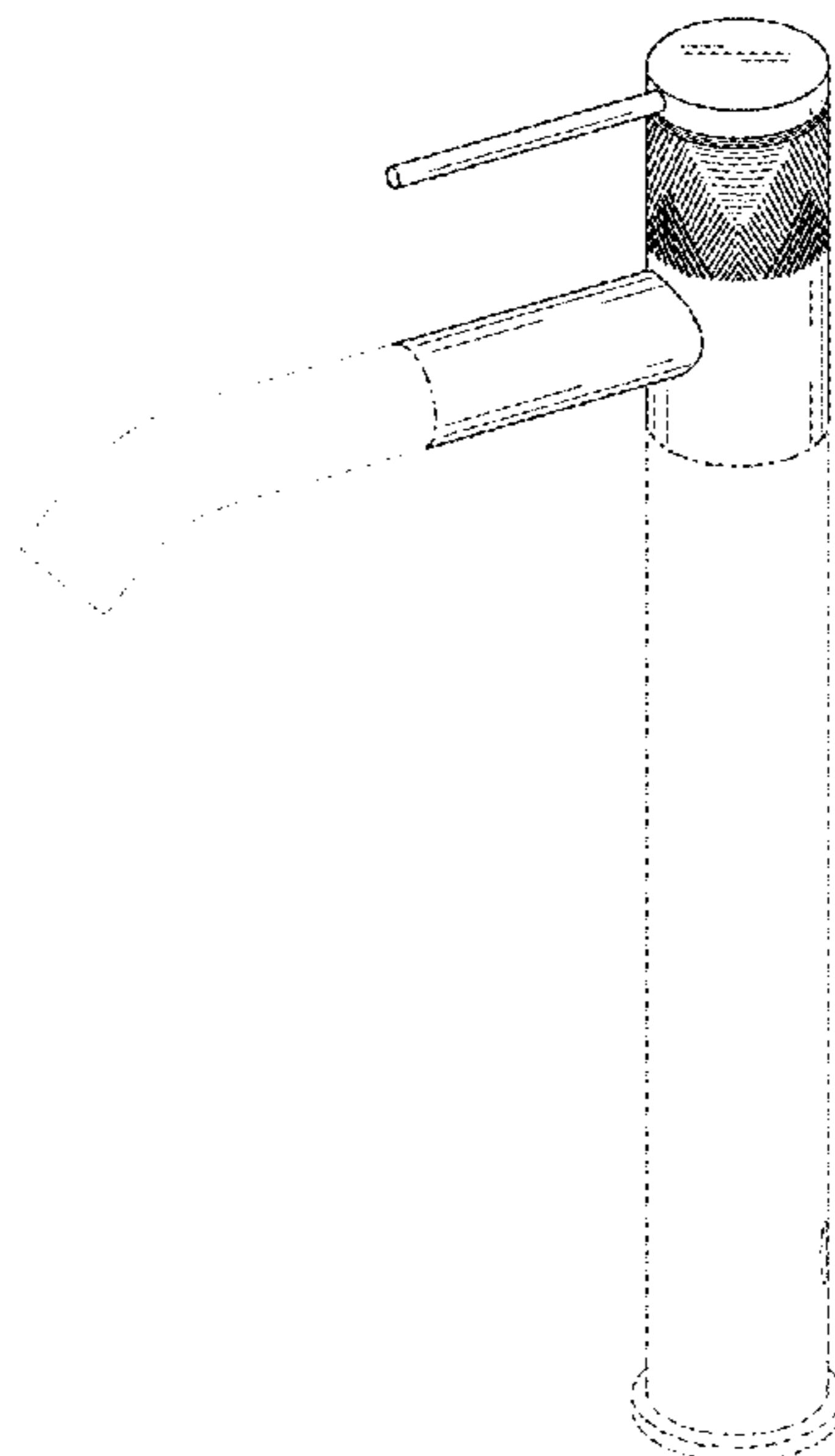
- (62) Division of application No. 29/649,780, filed on Jun. 1, 2018.
- (51) **LOC (12) Cl.** **23-01**
- (52) **U.S. Cl.**
USPC **D23/238**
- (58) **Field of Classification Search**
USPC D23/238–243, 249, 255, 257, 250–252, D23/254; D8/305, 307–308; D9/556, D9/569, 681; D14/440; D5/56, 2, 58, 60
See application file for complete search history.

References Cited

U.S. PATENT DOCUMENTS

- D12,819 S 3/1882 Dobbin
- D12,832 S 3/1882 Rosenfeld
- D18,933 S 2/1889 Harley
- D28,305 S 2/1898 Thomas
- D87,343 S 7/1932 Hamilton
- D102,444 S 12/1936 Petty
- D102,942 S 1/1937 Covert
- D110,034 S 6/1938 Reynolds
- D118,357 S 12/1939 Wechsler

1 Claim, 5 Drawing Sheets



(56)

References Cited

U.S. PATENT DOCUMENTS

D823,989 S	7/2018	Soulier
D824,141 S	7/2018	Binger
D827,779 S	9/2018	Soulier
D828,908 S	9/2018	Merki
D836,296 S	12/2018	Sickert

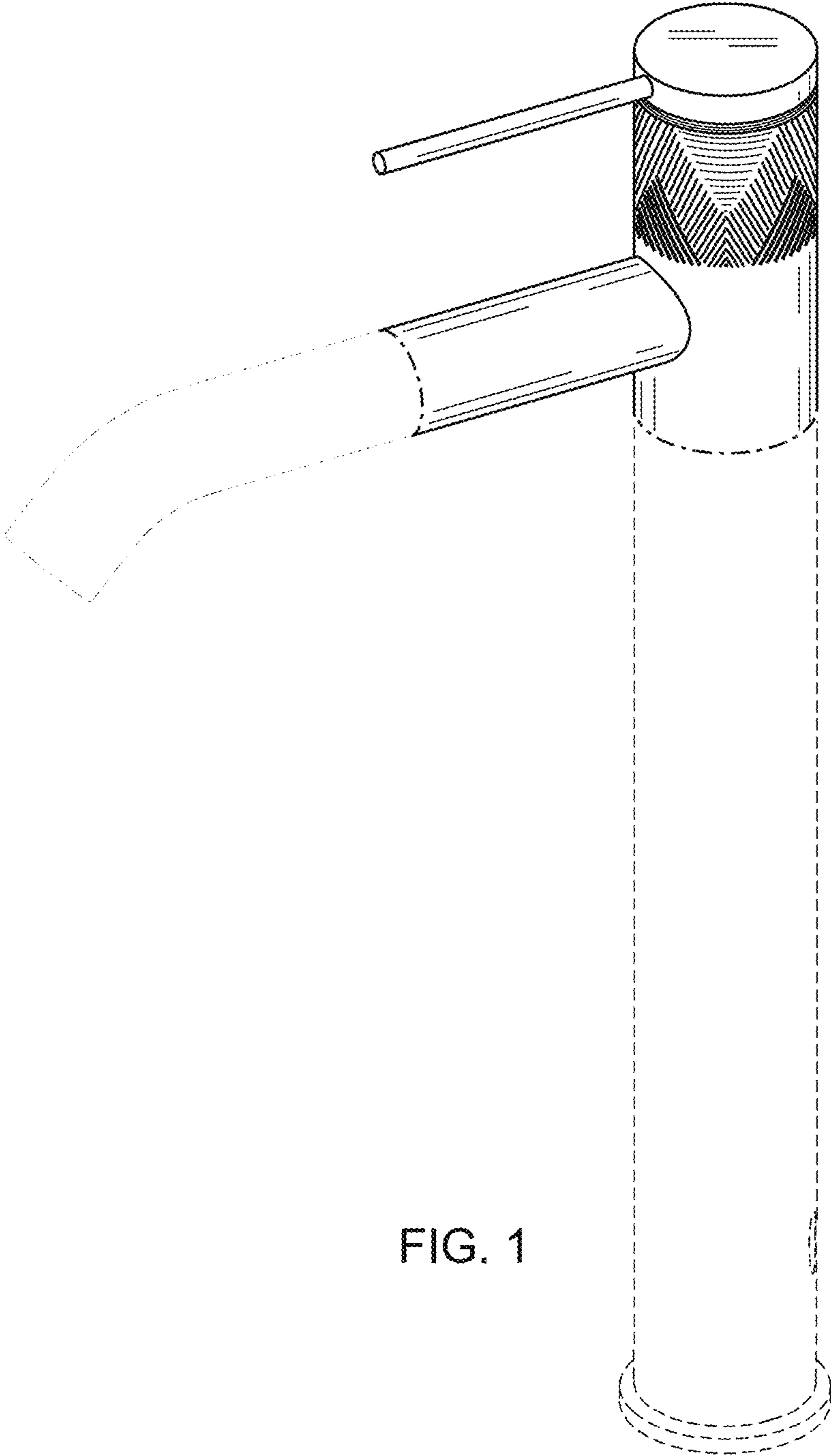


FIG. 1

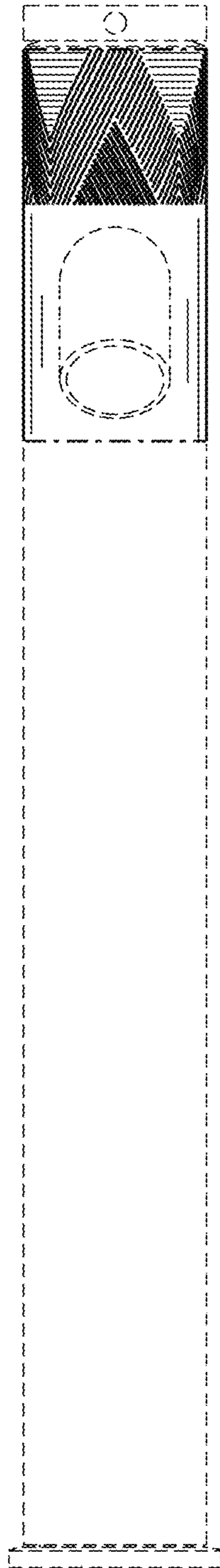


FIG. 2

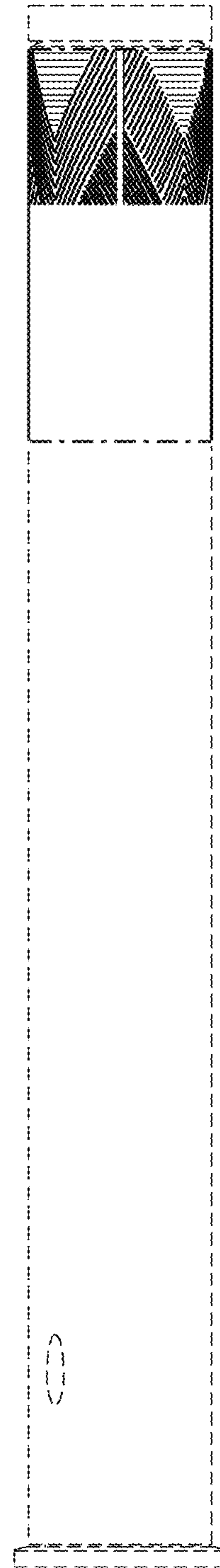
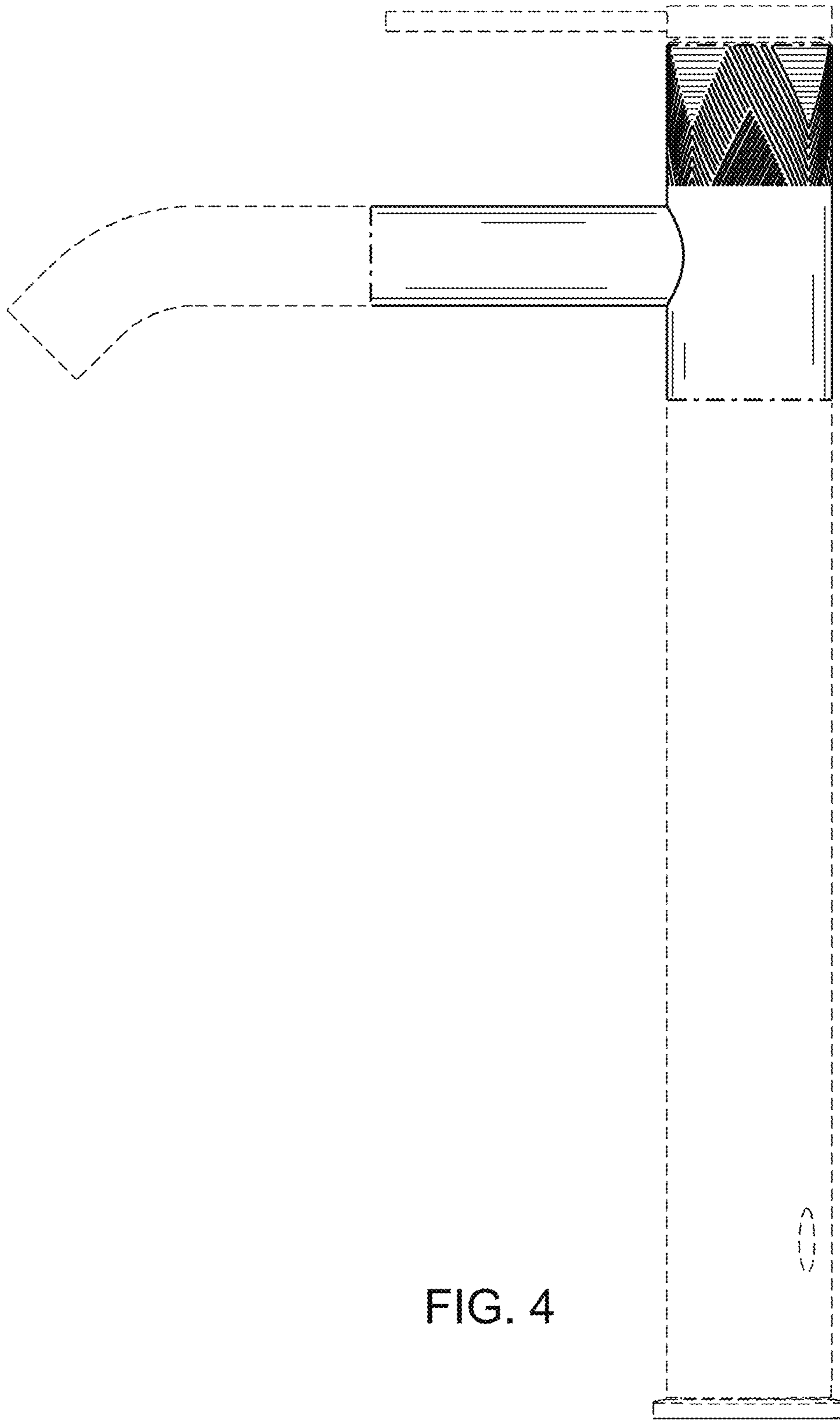


FIG. 3



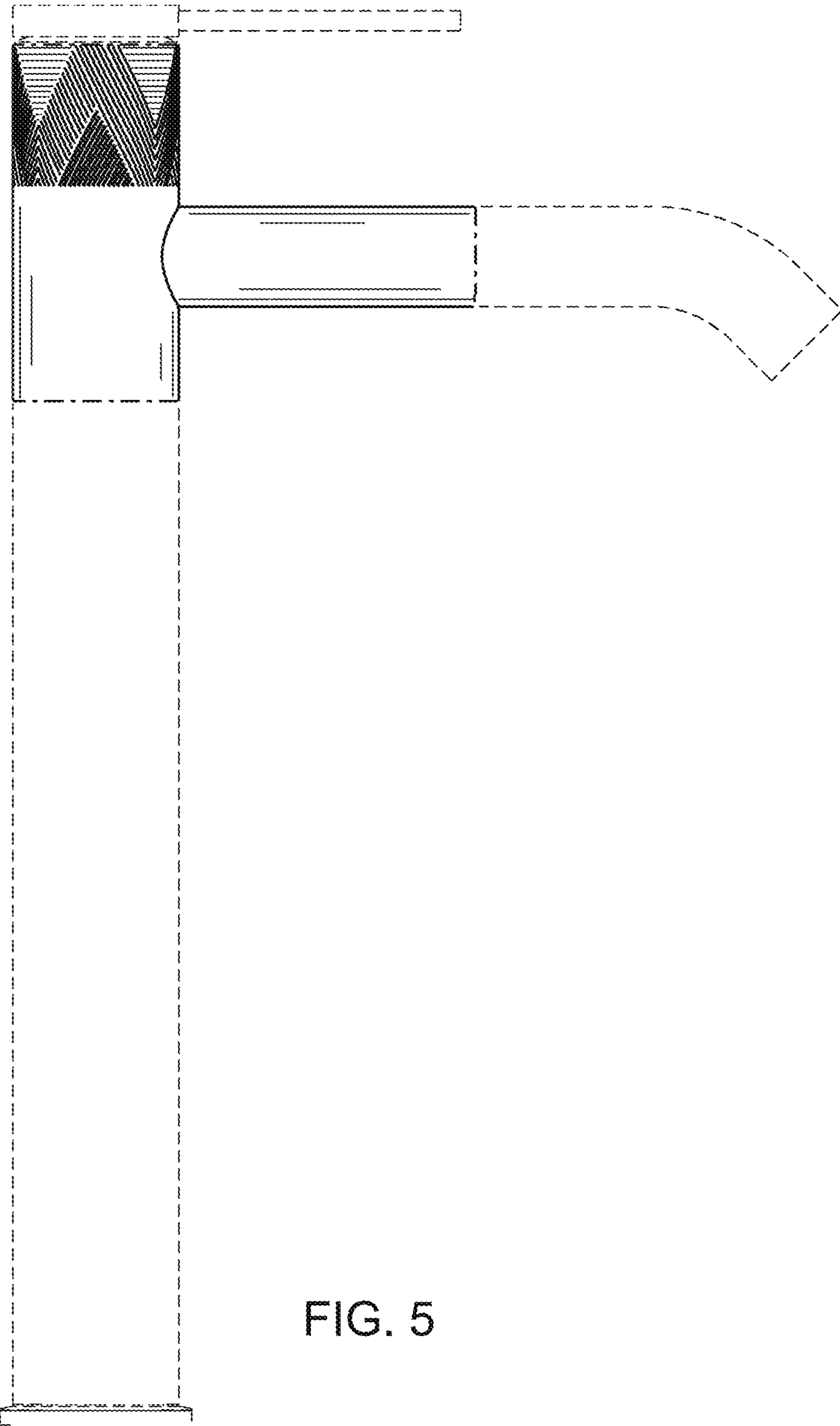


FIG. 5

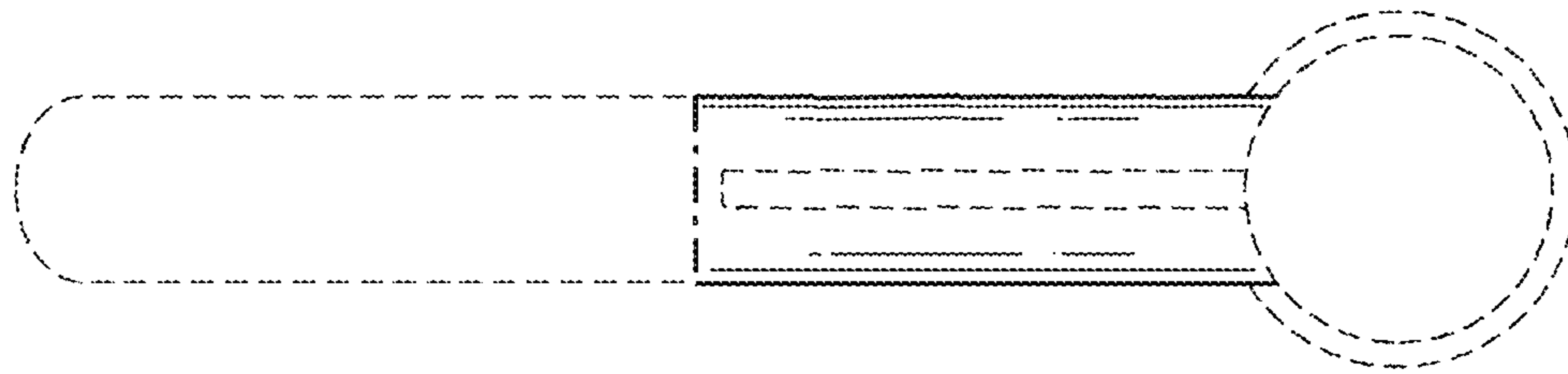


FIG. 6

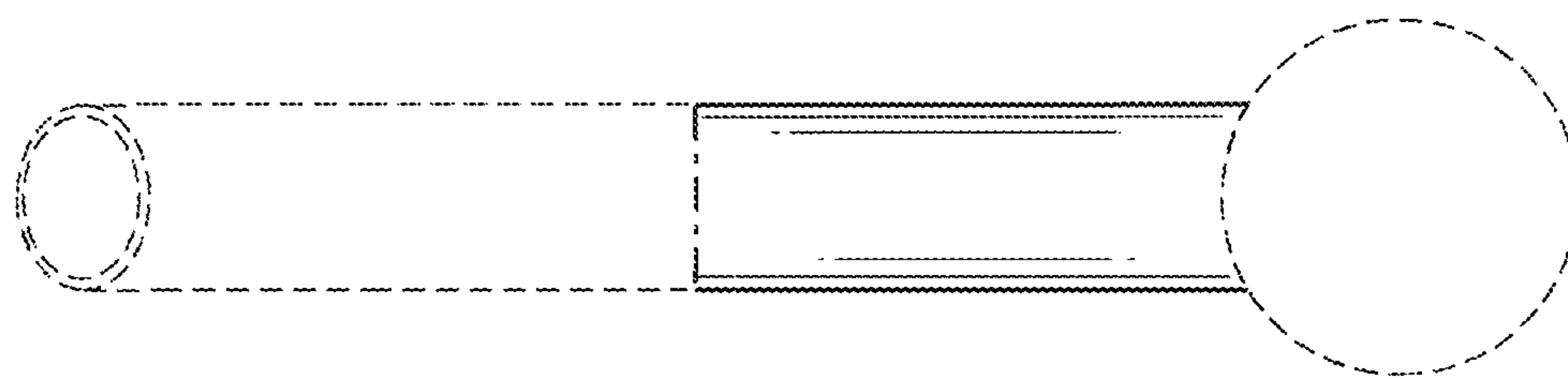


FIG. 7