

US00D866715S

(12) **United States Design Patent** (10) **Patent No.:** **US D866,715 S**
Hoogendoorn et al. (45) **Date of Patent:** **** Nov. 12, 2019**

(54) **WALL MIXER**
(71) Applicant: **Phoenix Industries Pty Ltd.**,
Bayswater, Victoria (AU)
(72) Inventors: **John Henri Hoogendoorn**, Bayswater
(AU); **Andrew John Cocks**, Bayswater
(AU); **Ban Hsi Liu**, Bayswater (AU)

D580,525 S 11/2008 Citterio
D582,009 S 12/2008 Citterio
D601,229 S 9/2009 Schoenherr et al.
D618,765 S 6/2010 Wang
D635,221 S 3/2011 Rubin
D636,065 S * 4/2011 Schoenherr D23/255
D659,167 S 5/2012 Cocks
D665,479 S 8/2012 Cocks
(Continued)

(73) Assignee: **Phoenix Industries Pty Ltd.**,
Bayswater, Victoria (AU)

FOREIGN PATENT DOCUMENTS

(**) Term: **15 Years**

AU 308198 7/2006
AU 308199 7/2006
(Continued)

(21) Appl. No.: **29/662,875**

(22) Filed: **Sep. 10, 2018**

OTHER PUBLICATIONS

(30) **Foreign Application Priority Data**

TOI Basin Mixer, Phoenix Tapware, Showers & Accessories, <http://www.phoenixtapware.com.au/products/toi-basin-mixer>, known at least as early as Oct. 25, 2016, 3 pgs.

Mar. 14, 2018 (AU) 201811539

(Continued)

(51) **LOC (12) Cl.** **23-01**

(52) **U.S. Cl.**
USPC **D23/238**

Primary Examiner — Robert A Delehanty
(74) *Attorney, Agent, or Firm* — Womble Bond Dickinson
(US) LLP

(58) **Field of Classification Search**
USPC D23/238–243, 249, 255, 257, 250–252,
D23/254; D8/305, 307–308

(57) **CLAIM**
The ornamental design for a wall mixer, as shown and described.

See application file for complete search history.

(56) **References Cited**

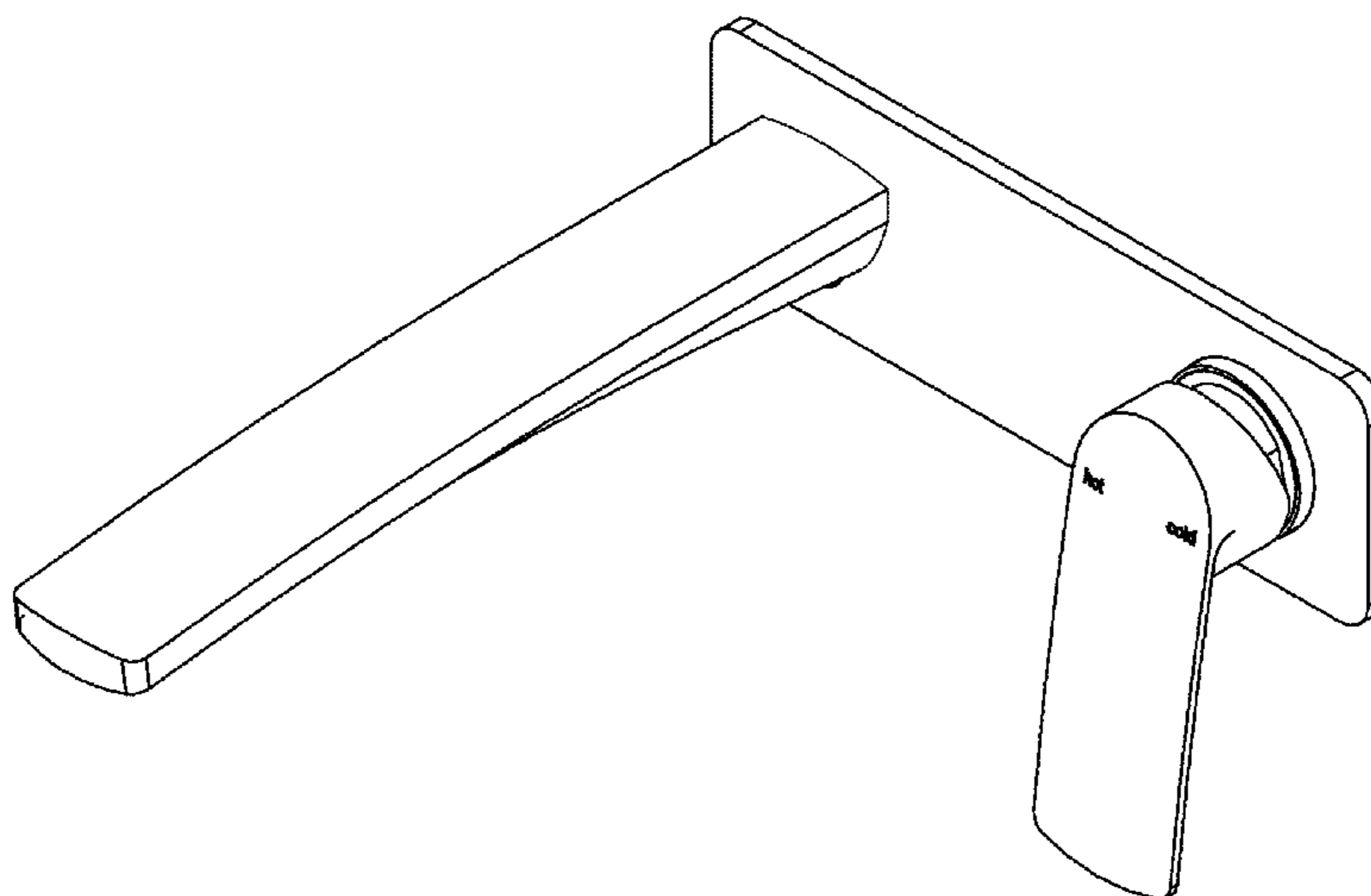
DESCRIPTION

U.S. PATENT DOCUMENTS

D441,851 S 5/2001 Starck
D466,979 S 12/2002 Shulz
D481,445 S 10/2003 Haug
D492,011 S 6/2004 Blattner
D525,342 S 7/2006 Starck
D532,866 S 11/2006 Kirar
D533,924 S 12/2006 Kirar
D548,308 S 8/2007 Hoernig
D575,848 S 8/2008 Kirar
D577,418 S 9/2008 Lammel

FIG. 1 is a front top right perspective view of a wall mixer incorporating our new design;
FIG. 2 is a front view thereof;
FIG. 3 is a left side view thereof;
FIG. 4 is a right side view thereof;
FIG. 5 is a top view thereof; and,
FIG. 6 is a bottom view thereof.

1 Claim, 4 Drawing Sheets



(56)

References Cited

FOREIGN PATENT DOCUMENTS

U.S. PATENT DOCUMENTS

D685,878 S 7/2013 Fritz
 D697,588 S 1/2014 Schoenherr
 D704,304 S * 5/2014 Schoenherr D23/238
 D708,714 S 7/2014 Georgeson
 D737,936 S 9/2015 Pony
 D739,501 S 9/2015 Flowers
 D740,395 S 10/2015 Flowers
 D757,223 S 5/2016 Schoenherr
 D757,225 S 5/2016 Schoenherr
 D757,903 S 5/2016 Schoenherr
 D767,733 S * 9/2016 Hong D23/255
 D787,020 S 5/2017 Ziemann
 D791,919 S 7/2017 Schoenherr
 D799,641 S 10/2017 Sieger
 D799,642 S 10/2017 Sieger
 D802,101 S 11/2017 Kirar
 D810,244 S 2/2018 Schoenherr et al.
 D811,528 S * 2/2018 Schoenherr D23/238
 D811,531 S 2/2018 Schoenherr
 D813,986 S 3/2018 Schoenherr
 D813,988 S 3/2018 Schoenherr
 D828,511 S 9/2018 Liu et al.
 D828,512 S 9/2018 Liu et al.
 D828,515 S * 9/2018 Seum D23/242
 D828,516 S 9/2018 Liu et al.
 D828,909 S 9/2018 Liu et al.
 D831,164 S 10/2018 Garuti et al.
 D846,077 S 4/2019 Liu
 D846,701 S 4/2019 Liu
 D846,702 S 4/2019 Liu
 2016/0265201 A1 9/2016 Hoogendoorn et al.

AU 308201 7/2006
 AU 308202 7/2006
 AU 314560 6/2007
 AU 314563 6/2007
 AU 321286 10/2008
 AU 328364 11/2009
 AU 328365 11/2009
 AU 334096 12/2010
 AU 336356 5/2011
 AU 336357 5/2011
 AU 337781 7/2011
 AU 337782 7/2011
 AU 344493 9/2012
 AU 344494 9/2012
 AU 350490 8/2013
 AU 355991 6/2014
 AU 355992 6/2014
 AU 355993 6/2014
 AU 355994 6/2014
 AU 357542 9/2014
 AU 357840 9/2014
 AU 357842 9/2014
 AU 357843 9/2014

OTHER PUBLICATIONS

TOI Wall Basin/Bath known at least as early Mixer Set, <http://www.phoenixtapware.com.au/toi-wall-basin-mixer-set180mm>, known at least as early as Oct. 25, 2016, 3 pgs.
 TOI Sink Mixer Squareline, Phoenix Tapware, Showers & Accessories, <http://www.phoenixtapware.com.au/toi-sink-mixer-180mm-squareline>, known at least as early as Oct. 25, 2016, 3 pgs.

* cited by examiner

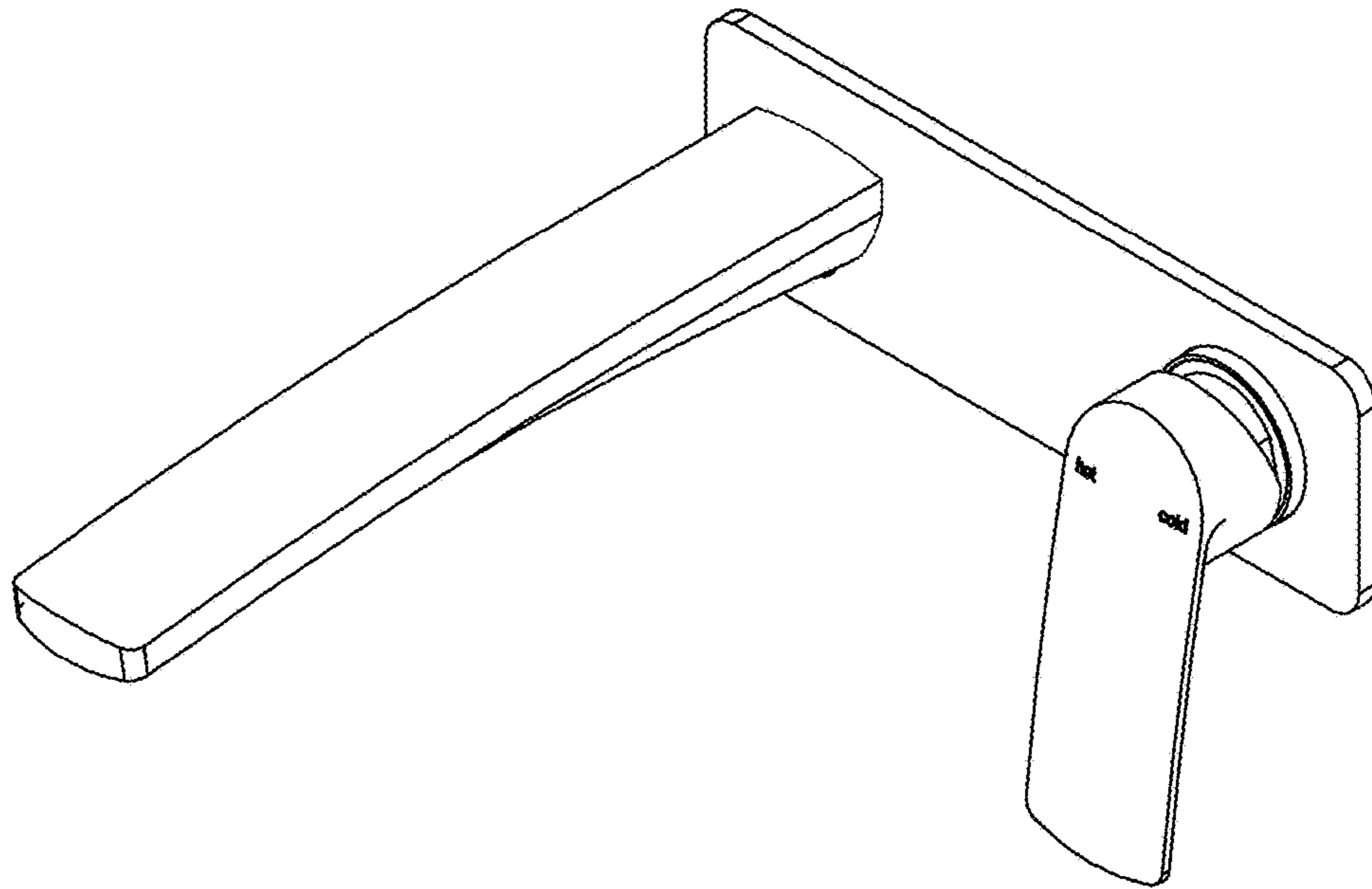


FIG 1

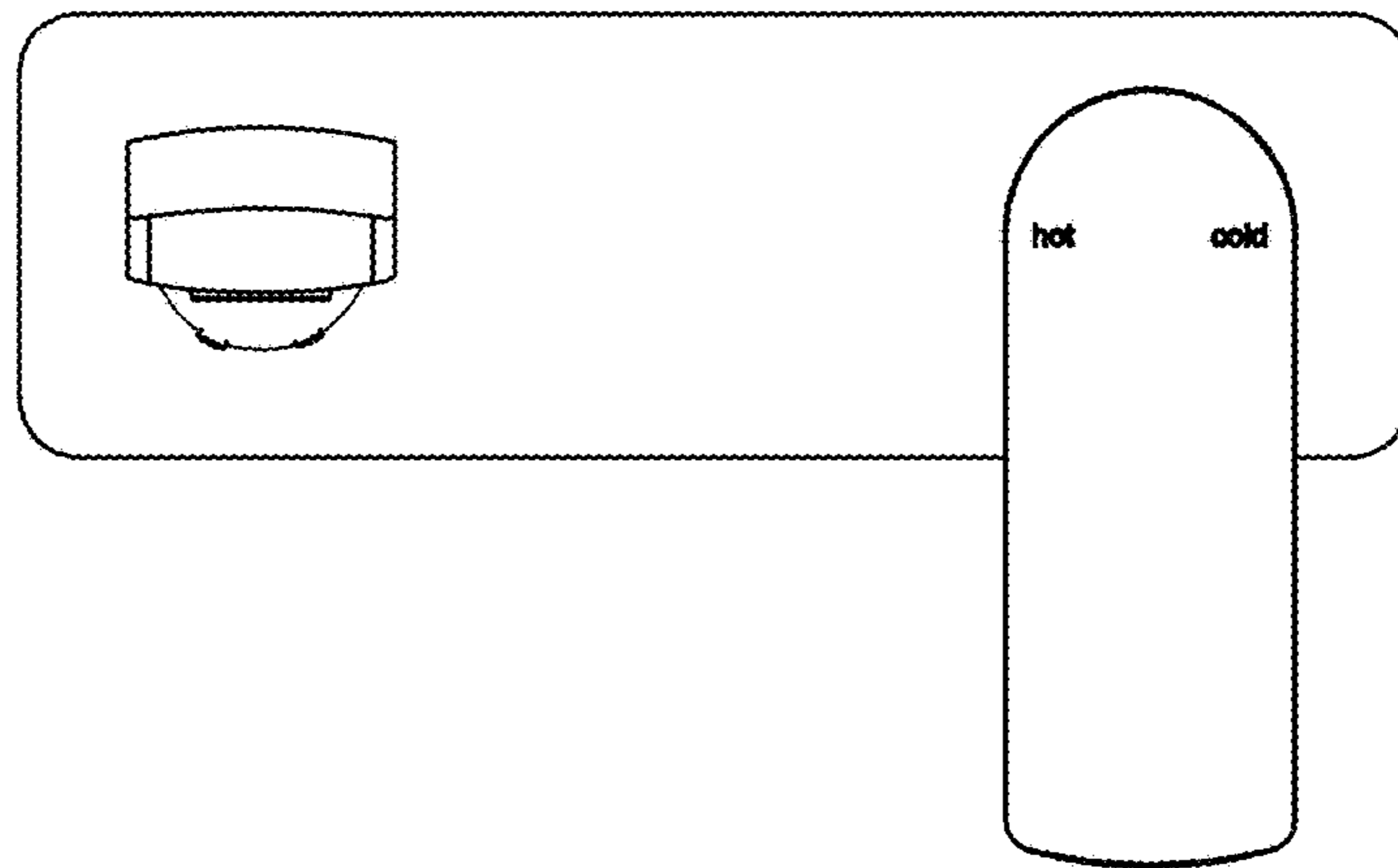


FIG 2

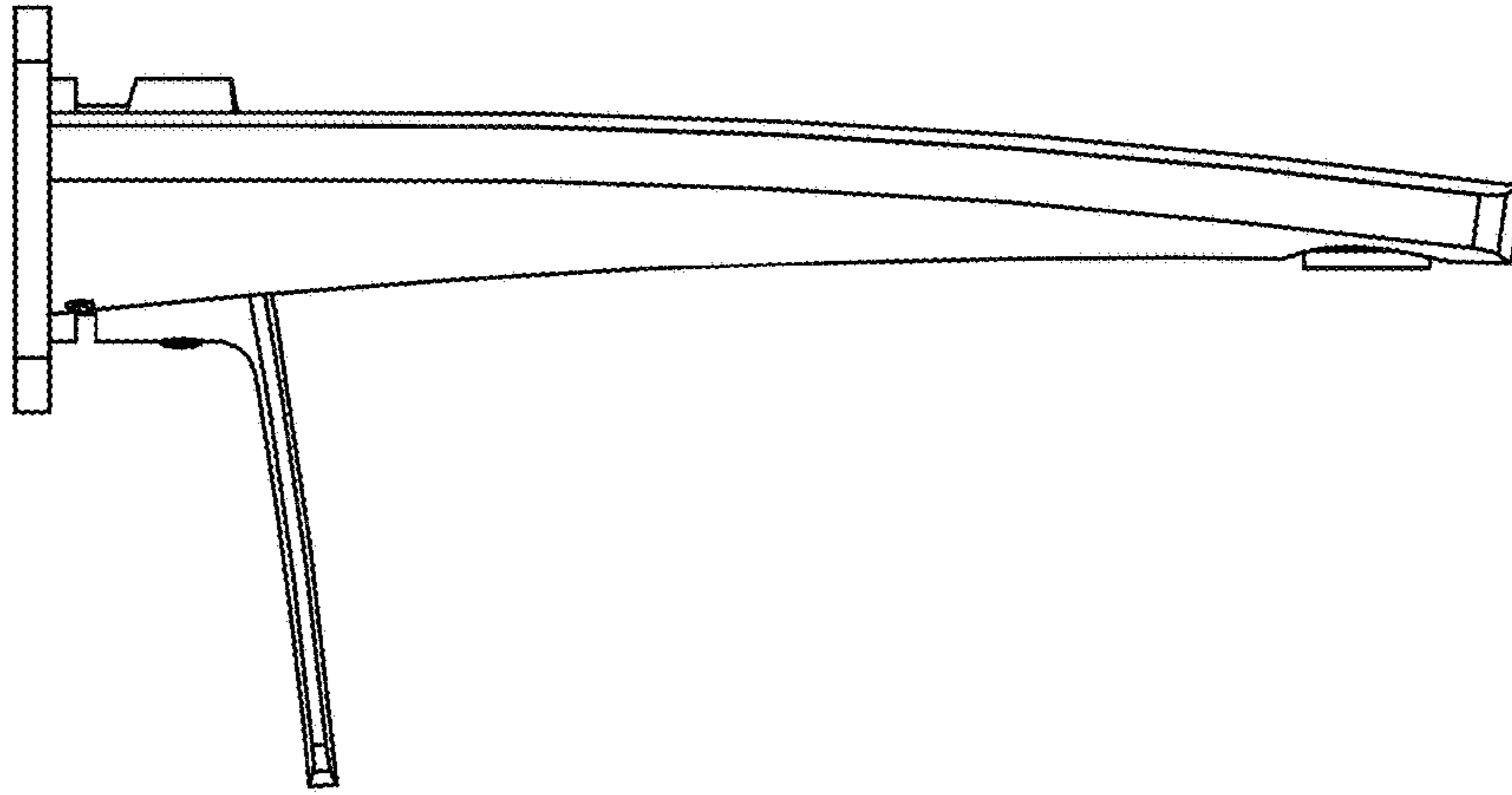


FIG 3

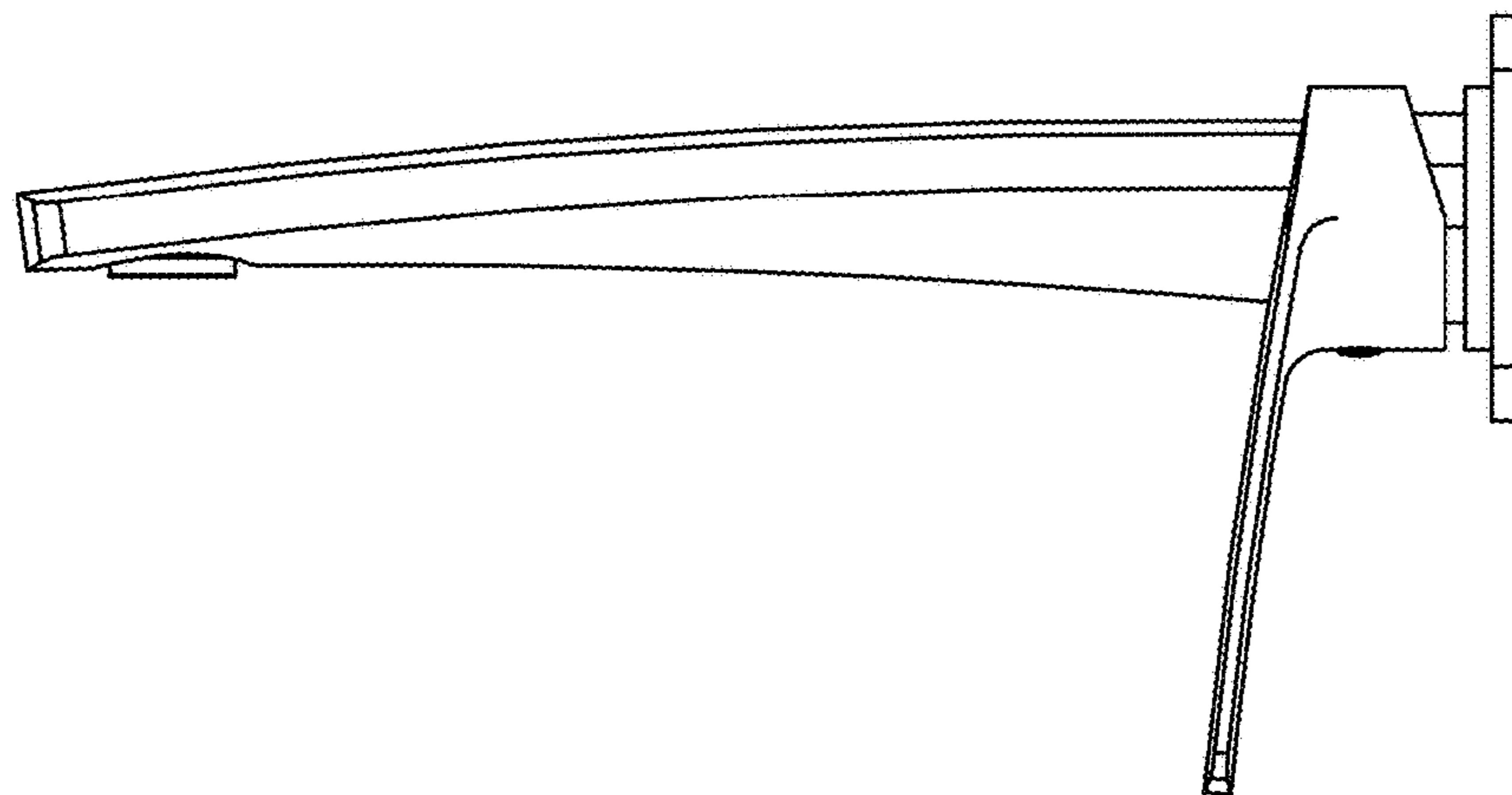


FIG 4

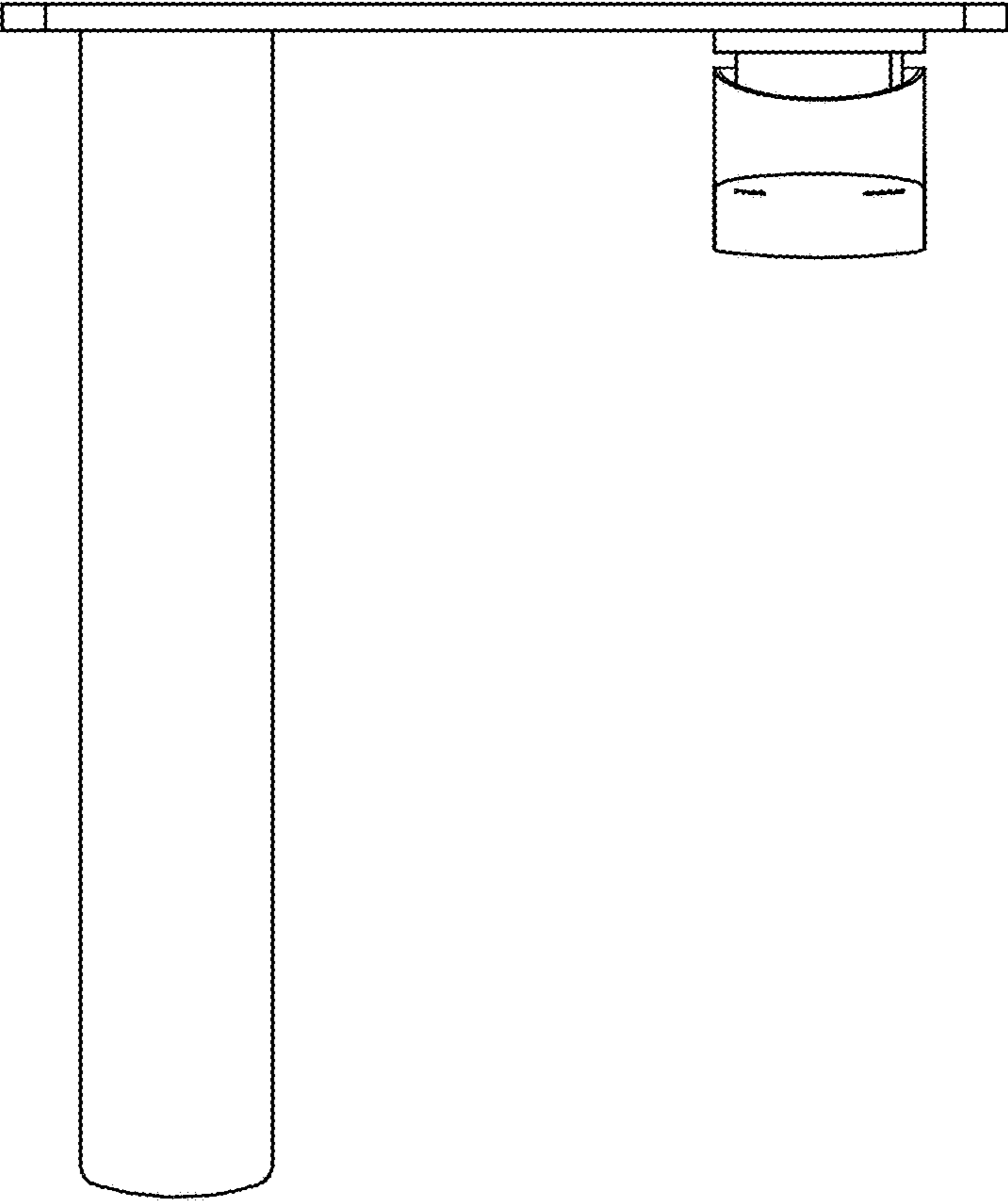


FIG 5

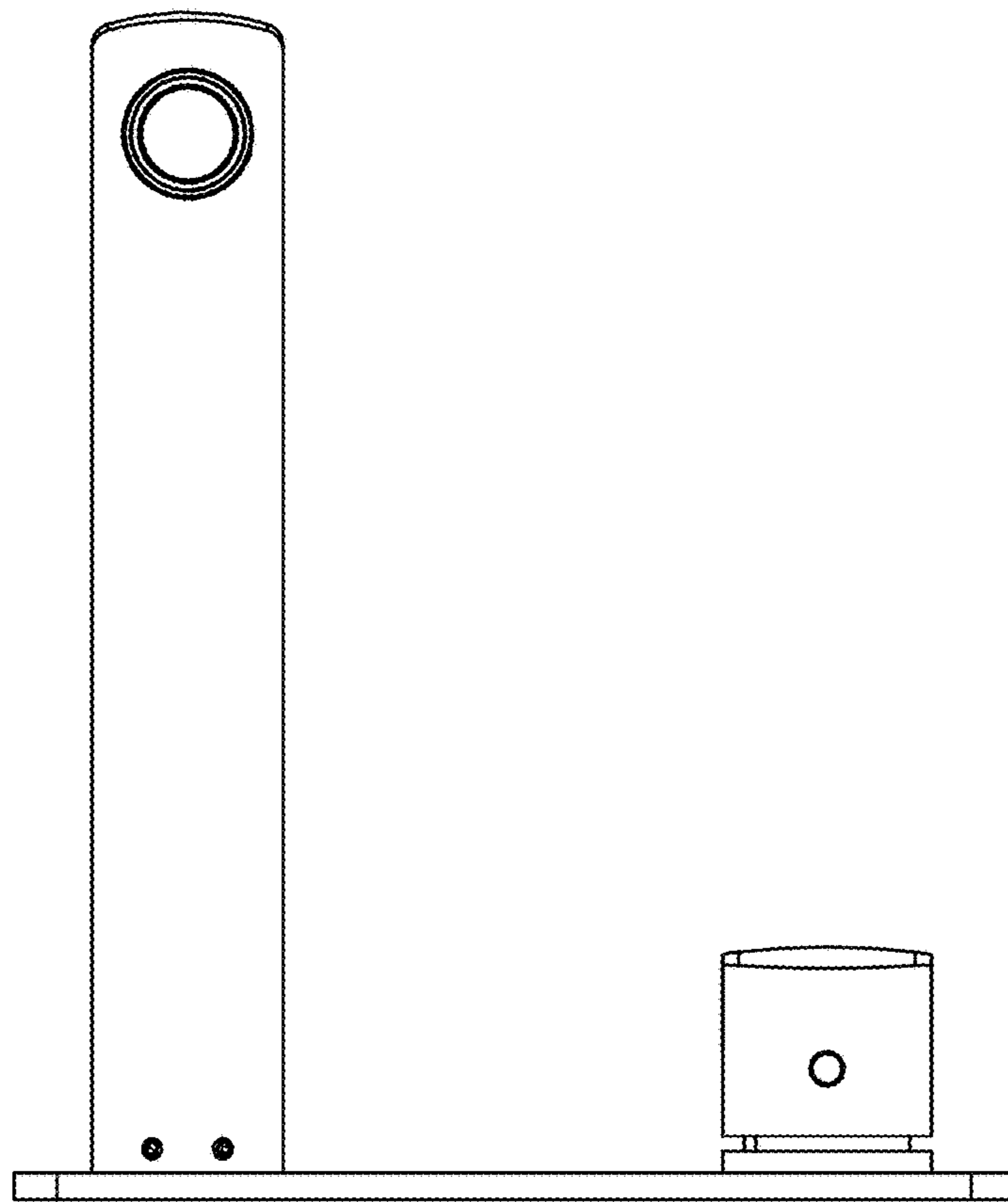


FIG 6