

US00D866713S

(12) **United States Design Patent** (10) **Patent No.:** **US D866,713 S**
Oechsle (45) **Date of Patent:** **** Nov. 12, 2019**

(54) **FLUID DISTRIBUTOR**

(71) Applicant: **NEOPERL GMBH**, Müllheim (DE)

(72) Inventor: **Daniel Oechsle**, Müllheim (DE)

(73) Assignee: **Neoperl GmbH**, Müllheim (DE)

(**) Term: **15 Years**

(21) Appl. No.: **35/503,774**

(22) Filed: **Sep. 13, 2017**

(80) **Hague Agreement Data**

Int. Filing Date: **Sep. 13, 2017**

Int. Reg. No.: **DM/097792**

Int. Reg. Date: **Sep. 13, 2017**

Int. Reg. Pub. Date: **Oct. 6, 2017**

(51) **LOC (12) Cl.** **23-01**

(52) **U.S. Cl.**
USPC **D23/233**

(58) **Field of Classification Search**
USPC D23/213, 233–237, 244–249, 225, 250,
D23/251, 252, 253, 254, 255, 256, 257,
D23/258, 259, 223, 366, 388, 355, 357,
D23/358, 361, 363, 364, 209; 417/411;
137/140
CPC F16K 27/067; F16K 5/0689; F16K 5/0647;
F16K 5/067; F16K 31/602; E03C 1/08;
E03C 1/084; E03C 1/086; E03C
2001/026; B01D 35/04; B01D 36/006;
B01D 29/13; B01D 29/19; F16L 33/23;
F16L 33/28; F16L 33/00; F16L 33/01
See application file for complete search history.

(56) **References Cited**

U.S. PATENT DOCUMENTS

D180,010 S * 4/1957 Britton D23/235
D186,489 S * 10/1959 Frye D23/248

D236,115 S * 7/1975 Bjorklund D23/248
D335,918 S * 5/1993 Glansk D23/245
D478,650 S * 8/2003 Lai D23/233
D479,307 S * 9/2003 Ferrer Beltran D23/209
D566,234 S * 4/2008 Caron D15/5
D625,777 S * 10/2010 Loffler D23/233
D752,721 S * 3/2016 Wildfang D23/262
D759,214 S * 6/2016 Fugazza D23/263
D759,215 S * 6/2016 Fugazza D23/263
D796,633 S * 9/2017 Adey B03C 1/286
D815,257 S * 4/2018 Fugazza D23/263
D841,121 S * 2/2019 Kiefer D23/213
D842,971 S * 3/2019 Loffler D23/259

* cited by examiner

Primary Examiner — Melanie Pellegrini

(74) *Attorney, Agent, or Firm* — Volpe and Koenig, P.C.

(57) **CLAIM**

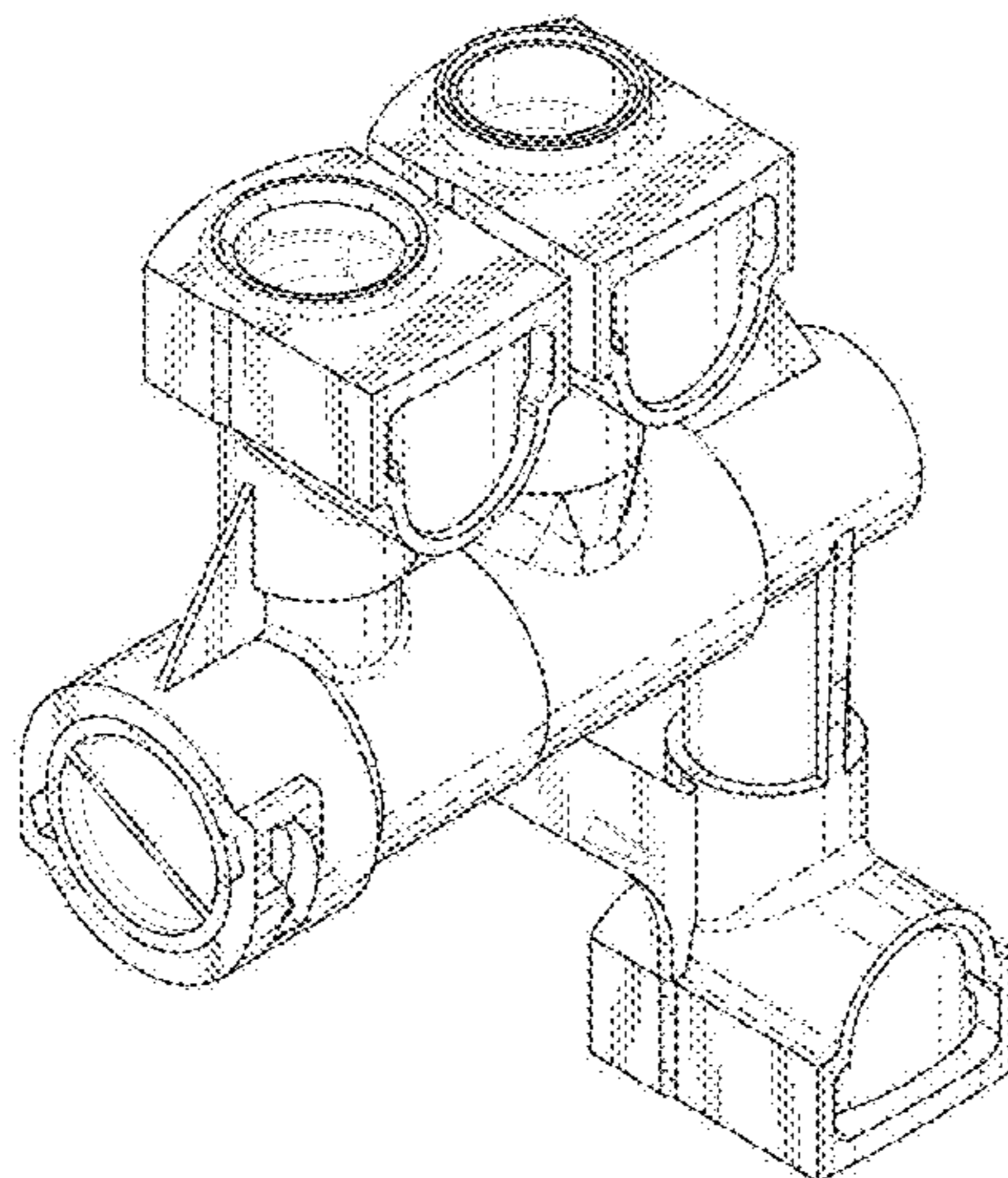
The ornamental design for a fluid distributor, as shown and described.

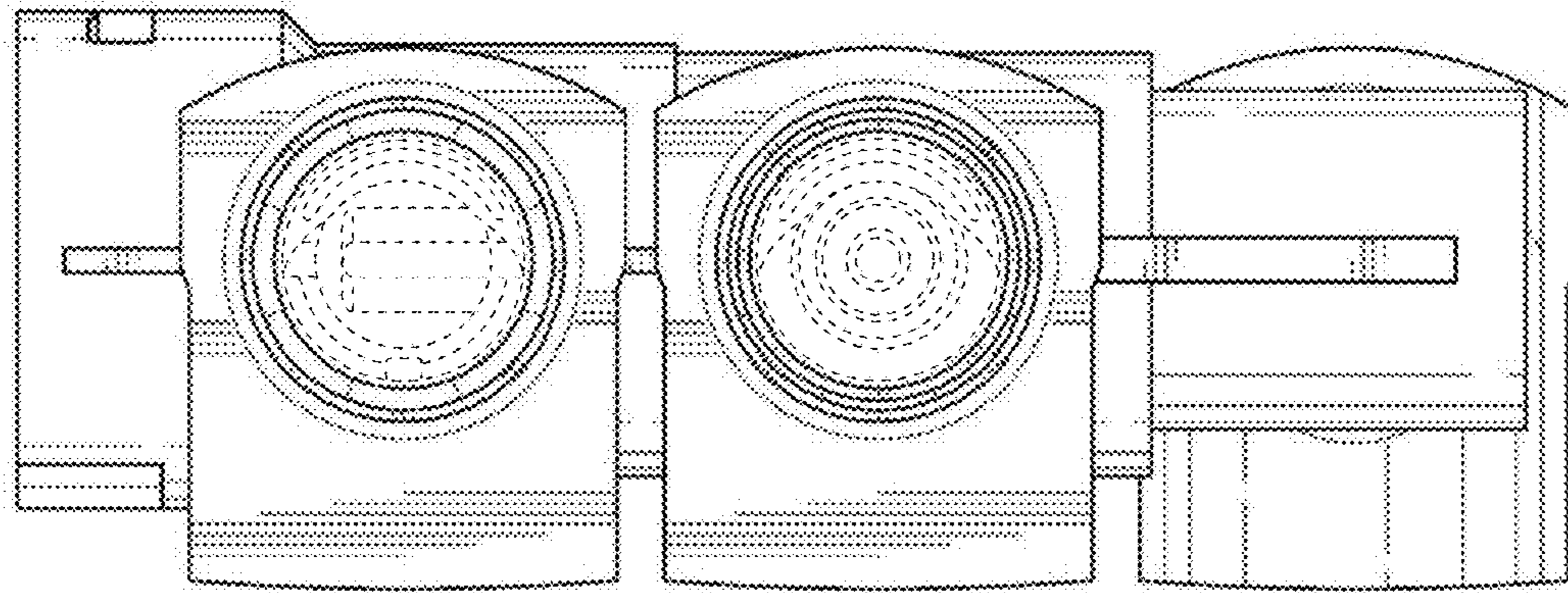
DESCRIPTION

- 1. Fluid distributor
- 1.1 : Top
- 1.2 : Perspective
- 1.3: Bottom
- 1.4 : Perspective
- 1.5 : Front
- 1.6: Back
- 1.7: Left
- 1.8 : Right

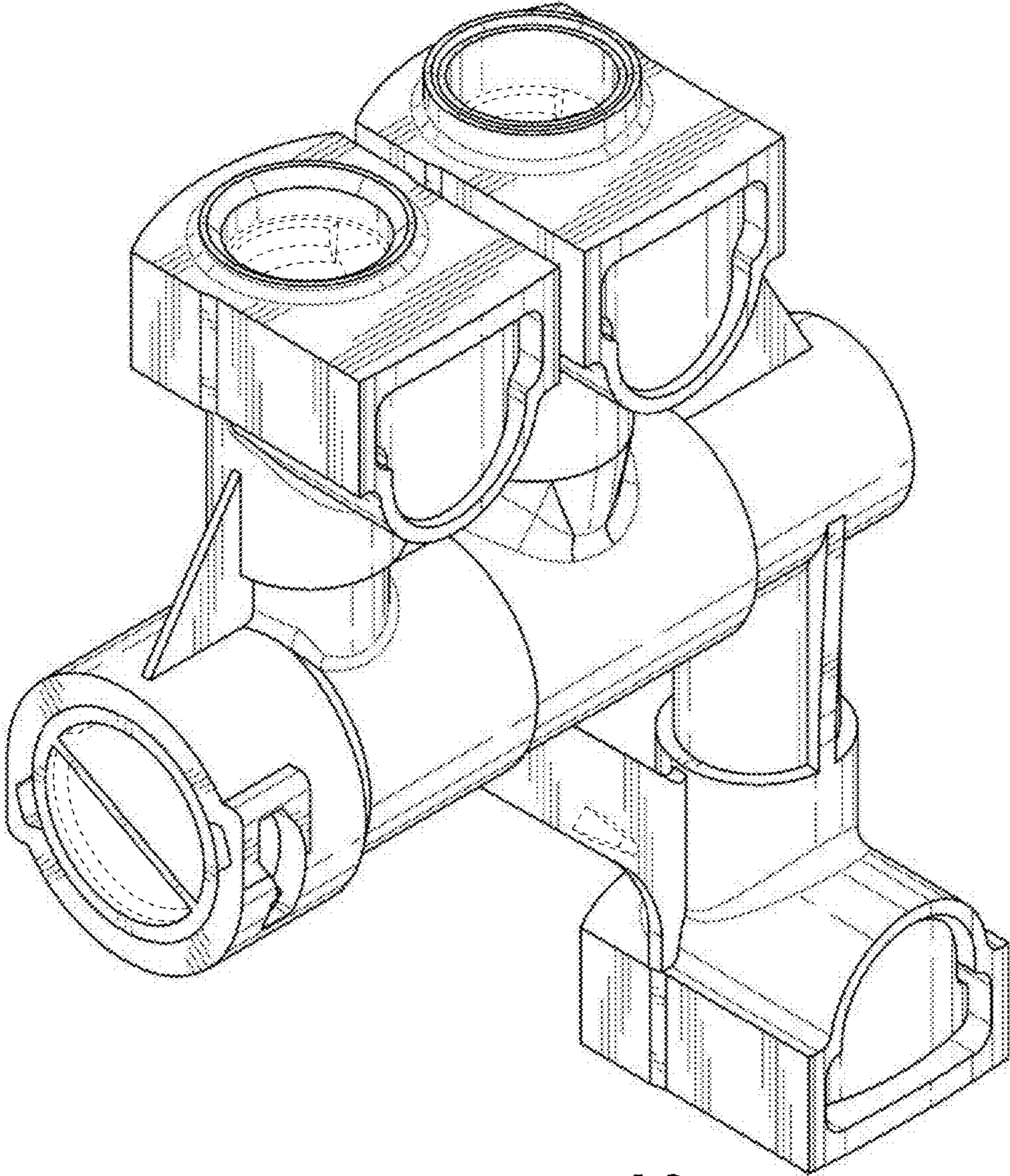
The broken lines represent portions of the fluid distributor that form no part of the claimed design.

1 Claim, 8 Drawing Sheets

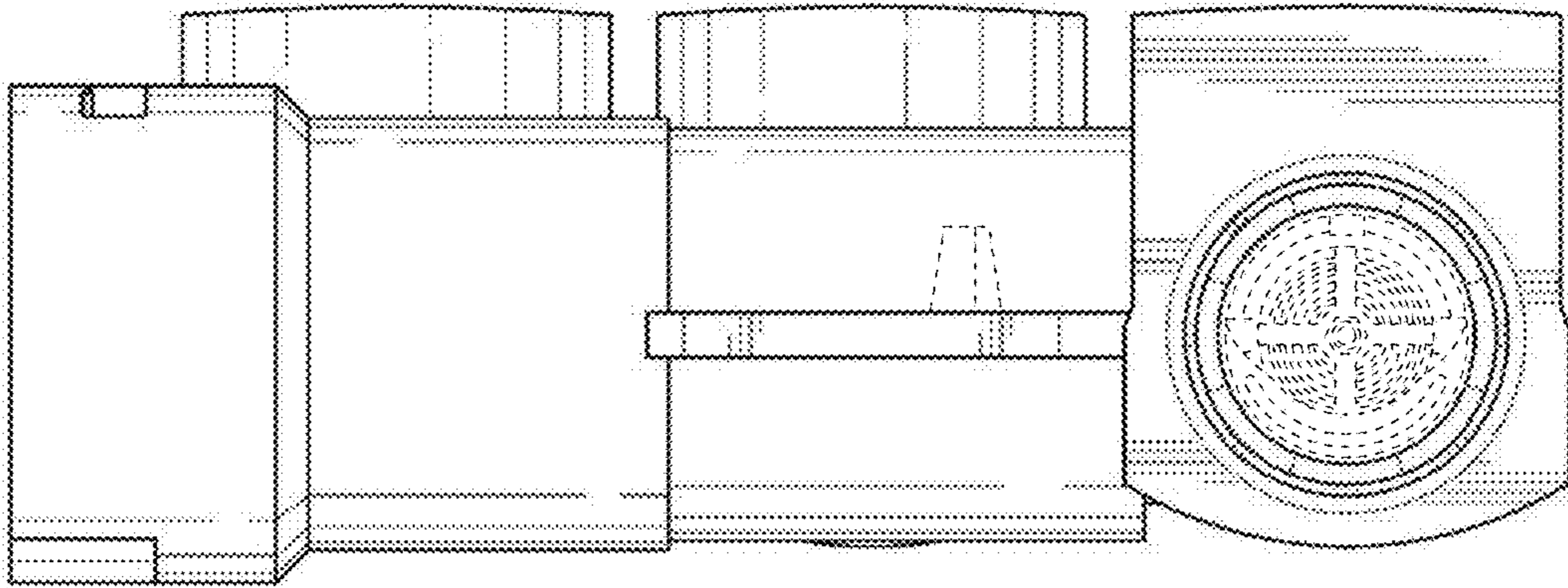




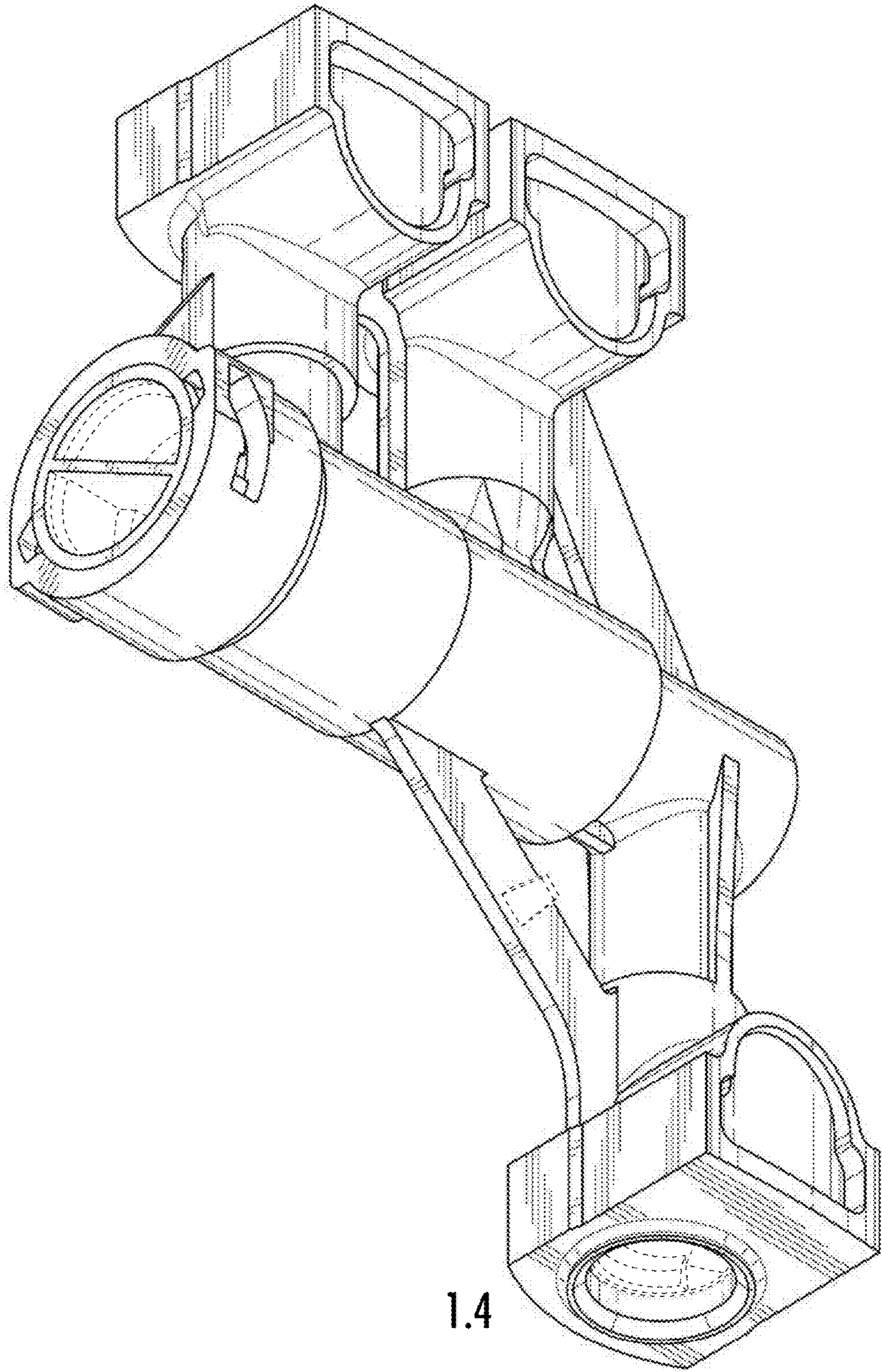
1.1



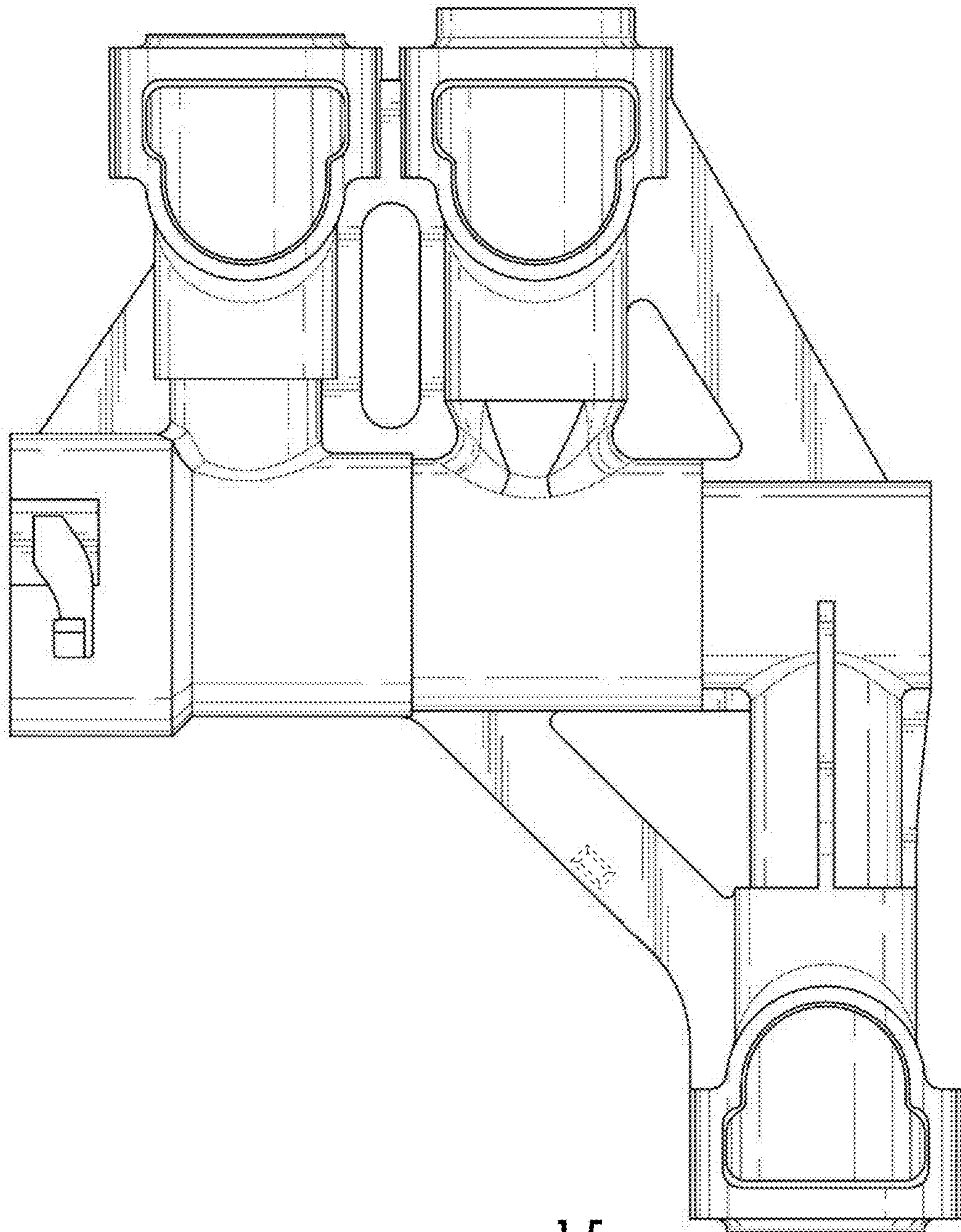
1.2



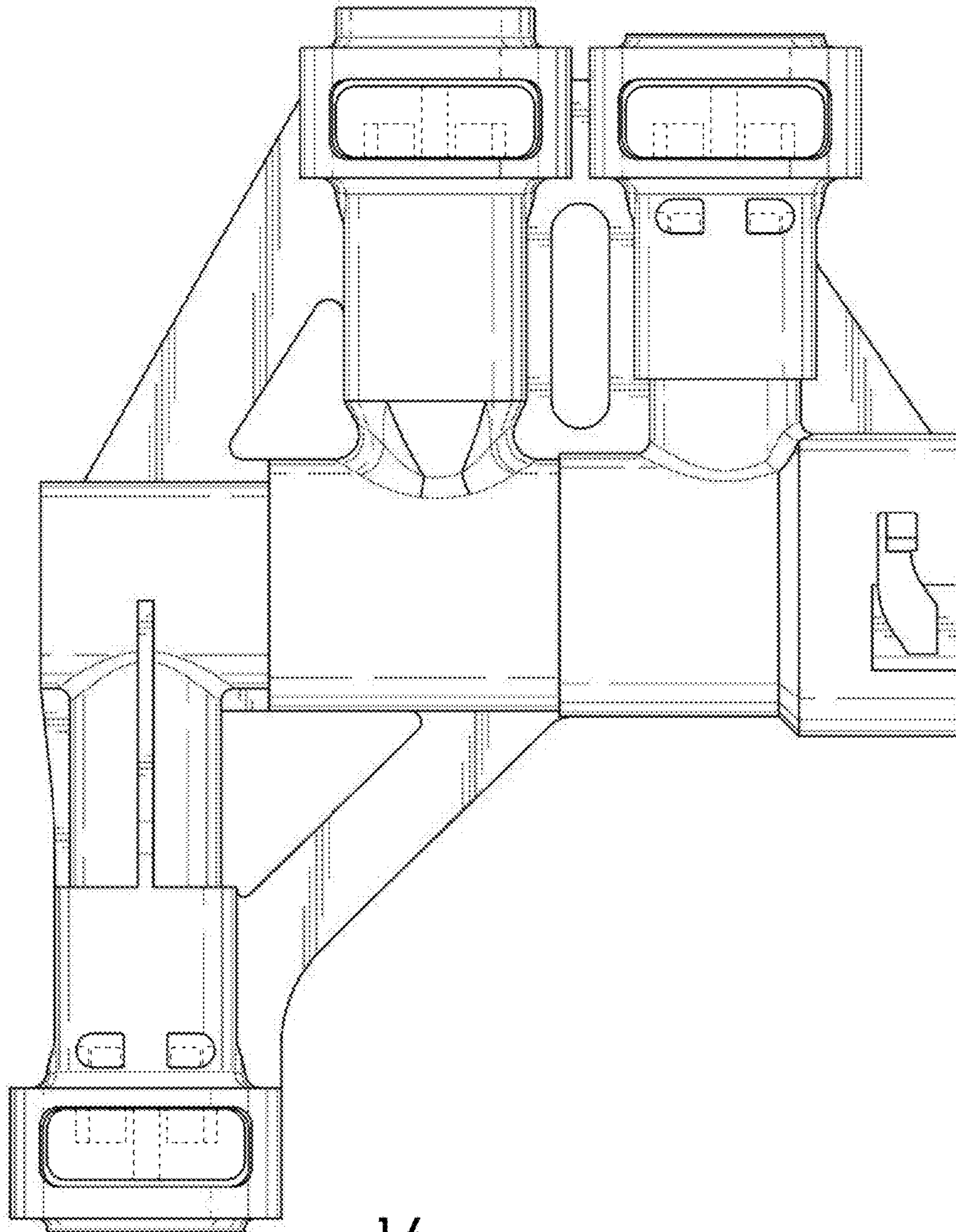
1.3



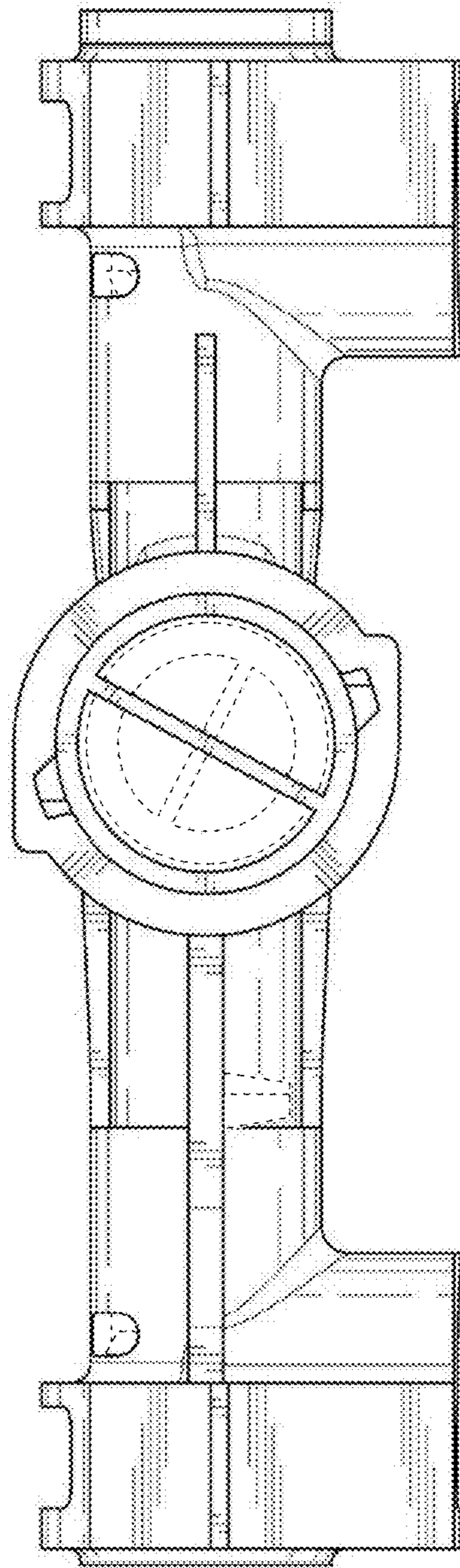
1.4



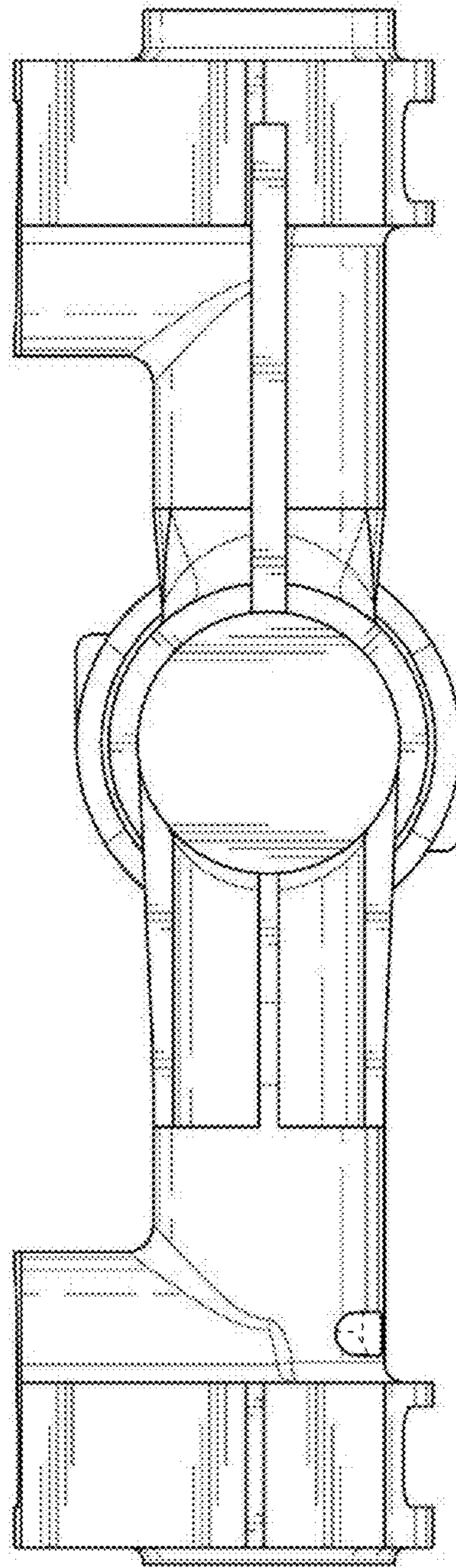
1.5



1.6



1.7



1.8