



US00D866710S

(12) **United States Design Patent**
Blum

(10) **Patent No.:** **US D866,710 S**

(45) **Date of Patent:** **** Nov. 12, 2019**

(54) **FAUCET STREAM STRAIGHTENER**

(71) Applicant: **NEOPERL GMBH**, Müllheim (DE)

(72) Inventor: **Gerhard Blum**, Gutach (DE)

(73) Assignee: **Neoperl GmbH**, Müllheim (DE)

(**) Term: **15 Years**

(21) Appl. No.: **35/502,737**

(22) Filed: **Mar. 15, 2017**

(80) **Hague Agreement Data**

Int. Filing Date: **Mar. 15, 2017**

Int. Reg. No.: **DM/095366**

Int. Reg. Date: **Mar. 15, 2017**

Int. Reg. Pub. Date: **Mar. 31, 2017**

(51) **LOC (12) Cl.** **23-01**

(52) **U.S. Cl.**
USPC **D23/213**

(58) **Field of Classification Search**
USPC D23/213, 229, 233, 235, 247-249, 264
CPC B05B 7/0425; E03C 1/08; E03C 1/084;
E03C 1/086; E03C 2001/026
See application file for complete search history.

(56) **References Cited**

U.S. PATENT DOCUMENTS

D539,873 S *	4/2007	Grether	E03C 1/084 D23/249
D550,814 S *	9/2007	Grether	D23/249
D684,241 S *	6/2013	Tempel	D23/213
D728,741 S *	5/2015	Blum	D23/213
D733,255 S *	6/2015	Blum	D23/213
D752,710 S *	3/2016	Tempel	D23/213

D753,792 S *	4/2016	Blum	D23/213
D776,242 S *	1/2017	Blum	D23/213
D797,236 S *	9/2017	Blum	D23/213
D822,159 S *	7/2018	Tempel	D23/213
D844,747 S *	4/2019	Blum	D23/213
2016/0222637 A1 *	8/2016	Stein	E03C 1/084

* cited by examiner

Primary Examiner — Keli L Hill

(74) *Attorney, Agent, or Firm* — Volpe and Koenig, P.C.

(57) **CLAIM**

The ornamental design for a faucet stream straightener, as shown and described.

DESCRIPTION

The file of this patent contains at least one drawing/photograph executed in color. Copies of this patent with color drawing(s)/photograph(s) will be provided by the Office upon request and payment of the necessary fee.

1. and 3. Faucet stream straighteners

1.1 : Front

1.2 : Left

1.3 : Top

1.4 : Perspective

1.5 : Bottom

1.6 : Perspective

3.1 : Front

3.2 : Left

3.3 : Back

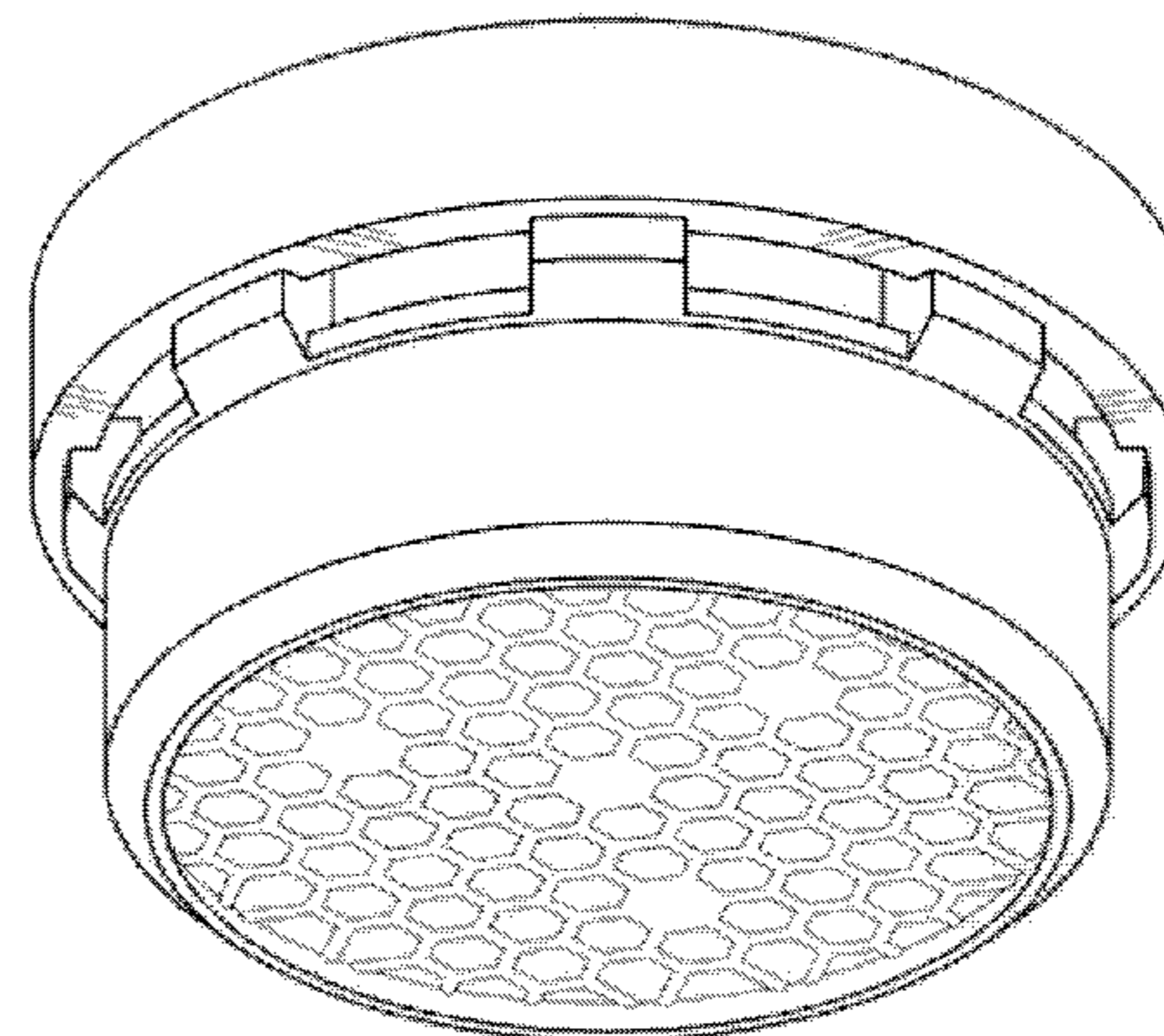
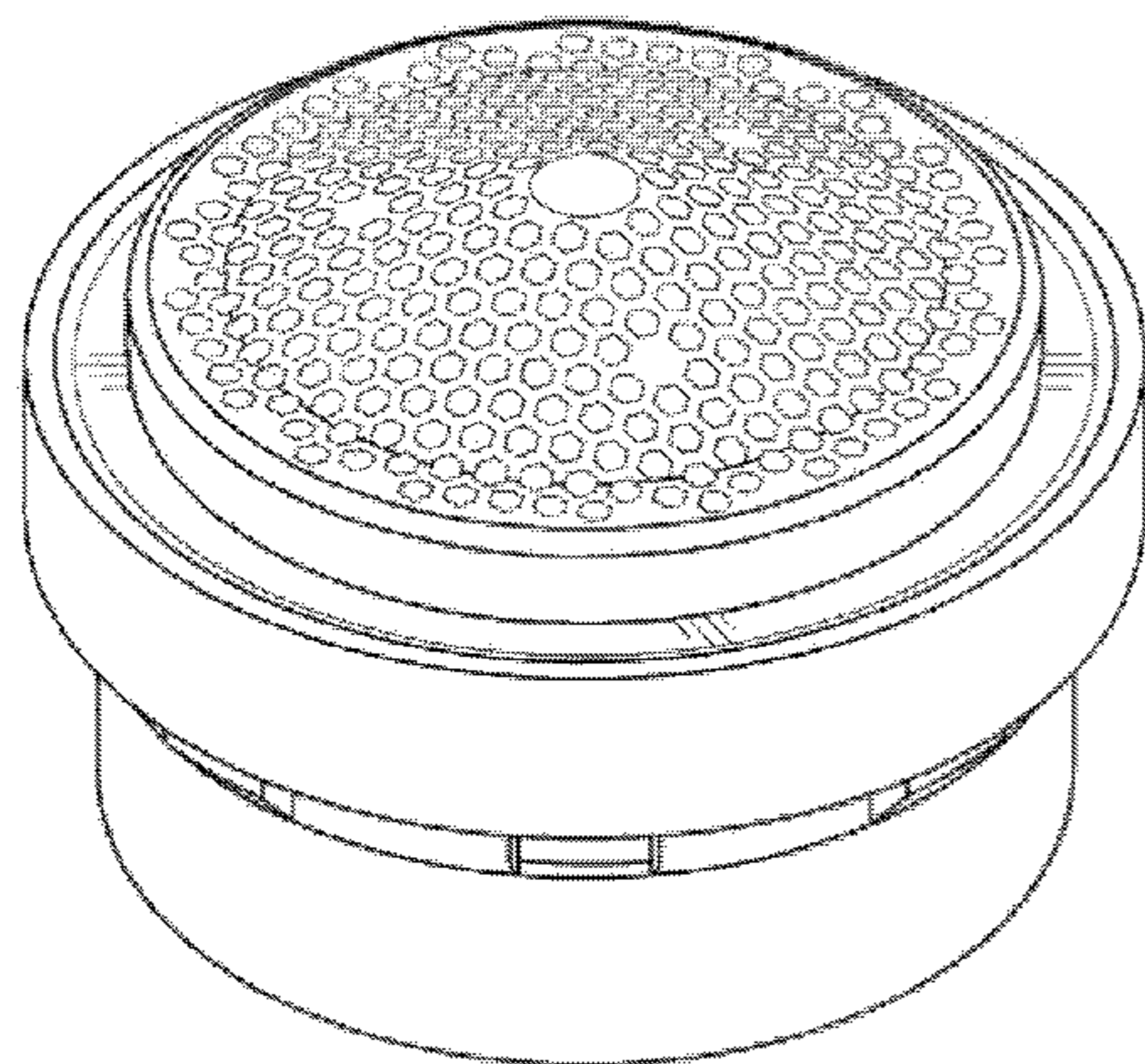
3.4 : Right

3.5 : Top

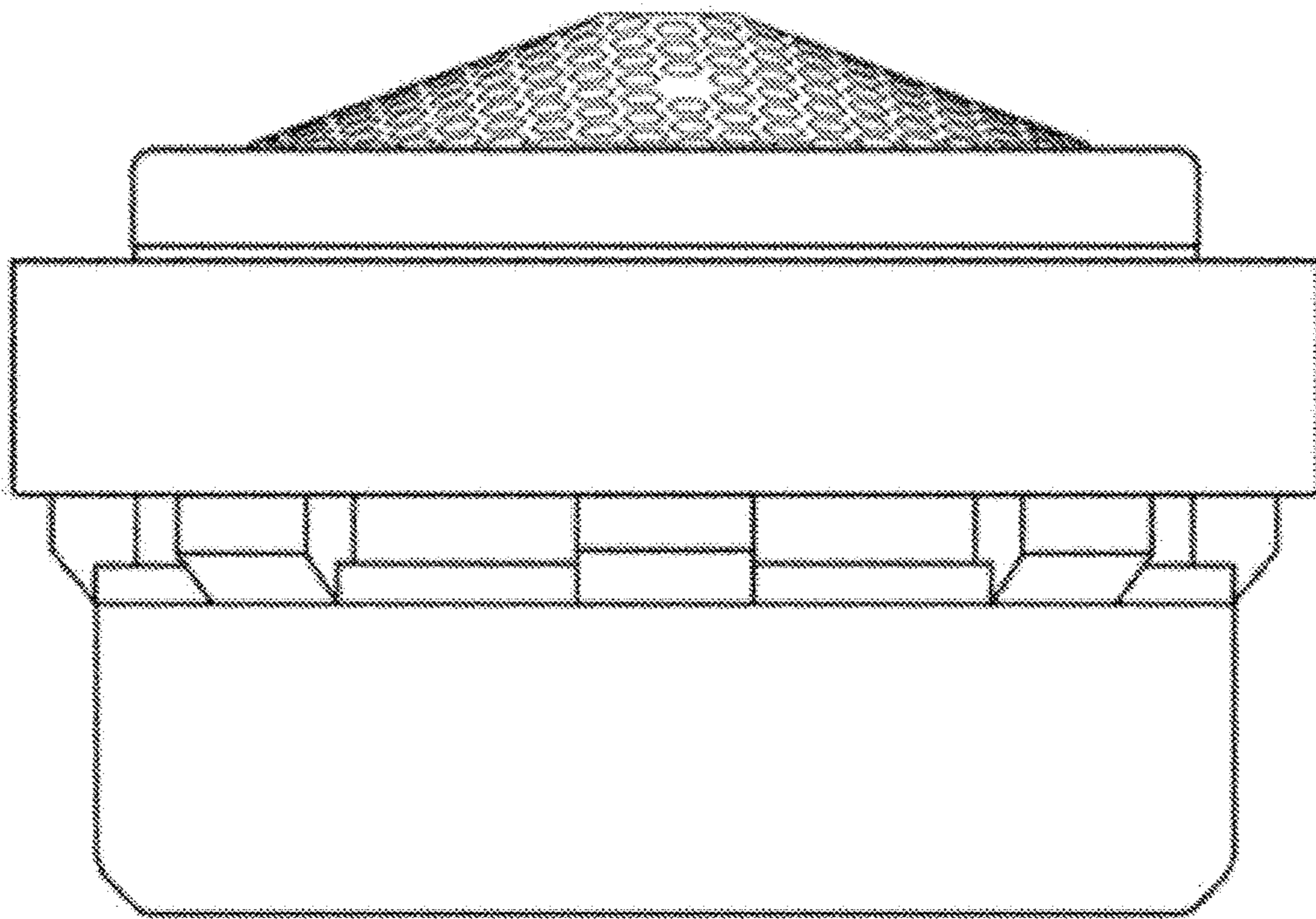
3.6 : Perspective

The areas that are shaded with the color blue in 3.1-3.6 represent portions of the faucet stream straightener that form no part of the claimed design.

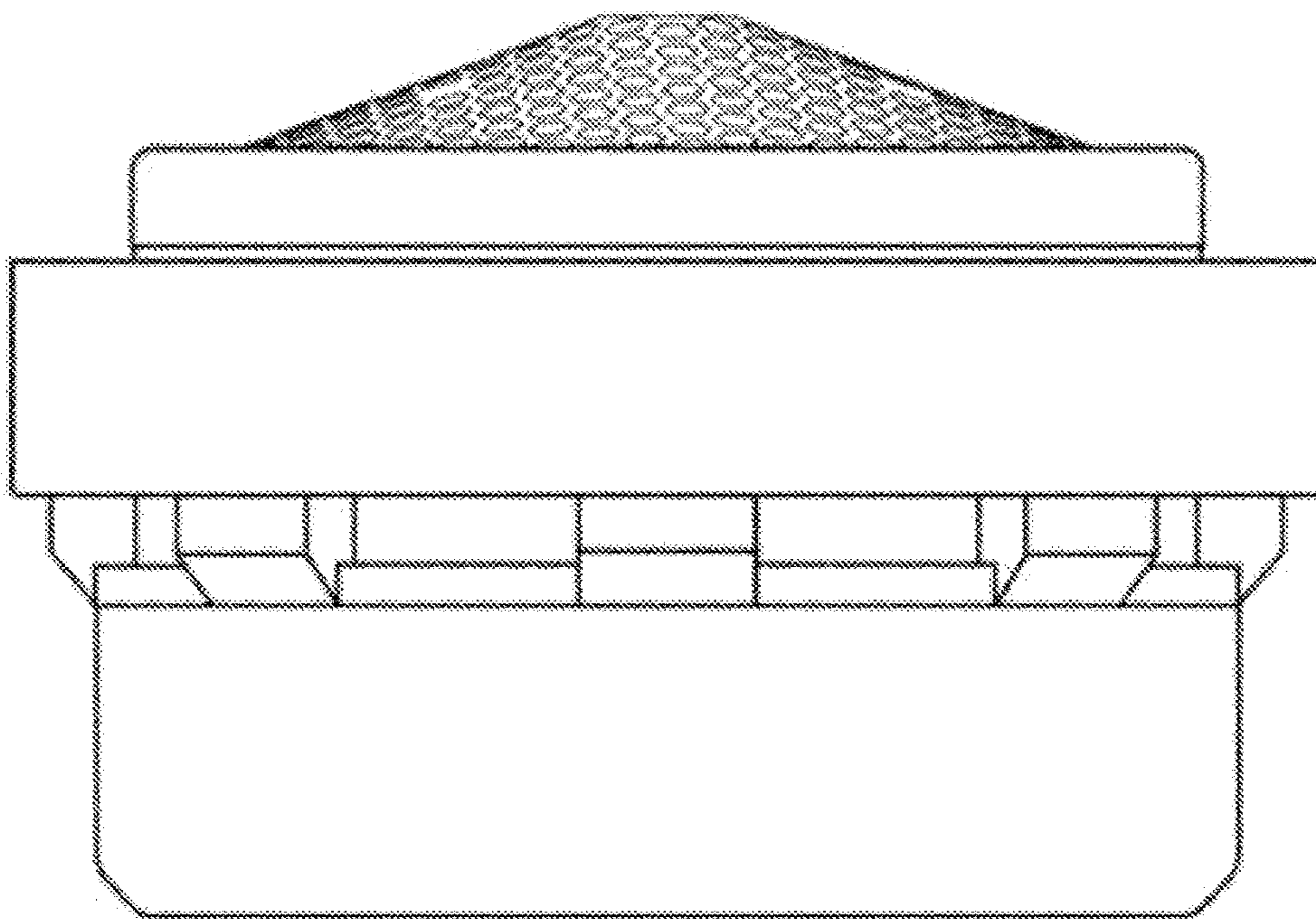
1 Claim, 12 Drawing Sheets
(6 of 12 Drawing Sheet(s) Filed in Color)



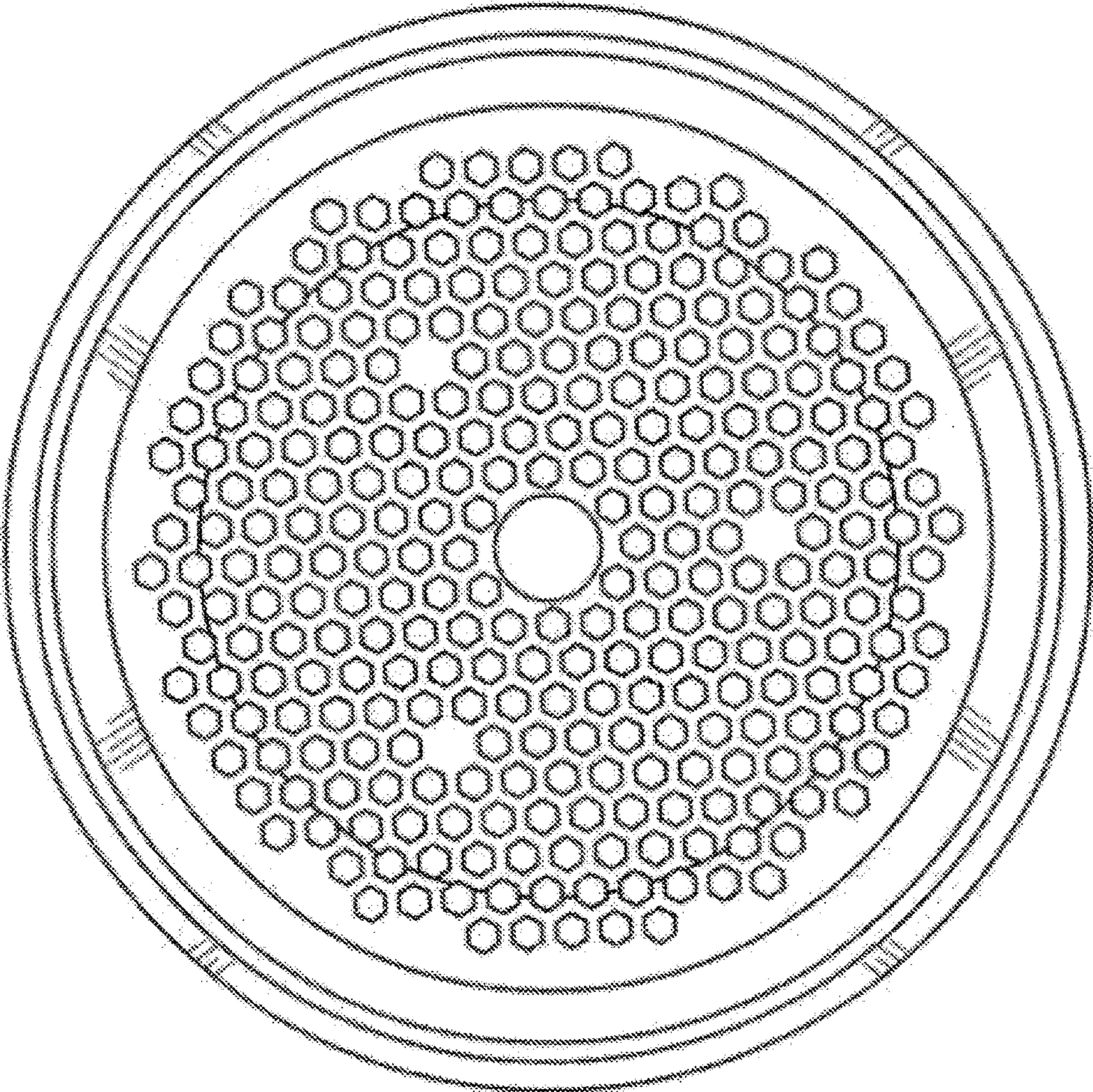
1.1



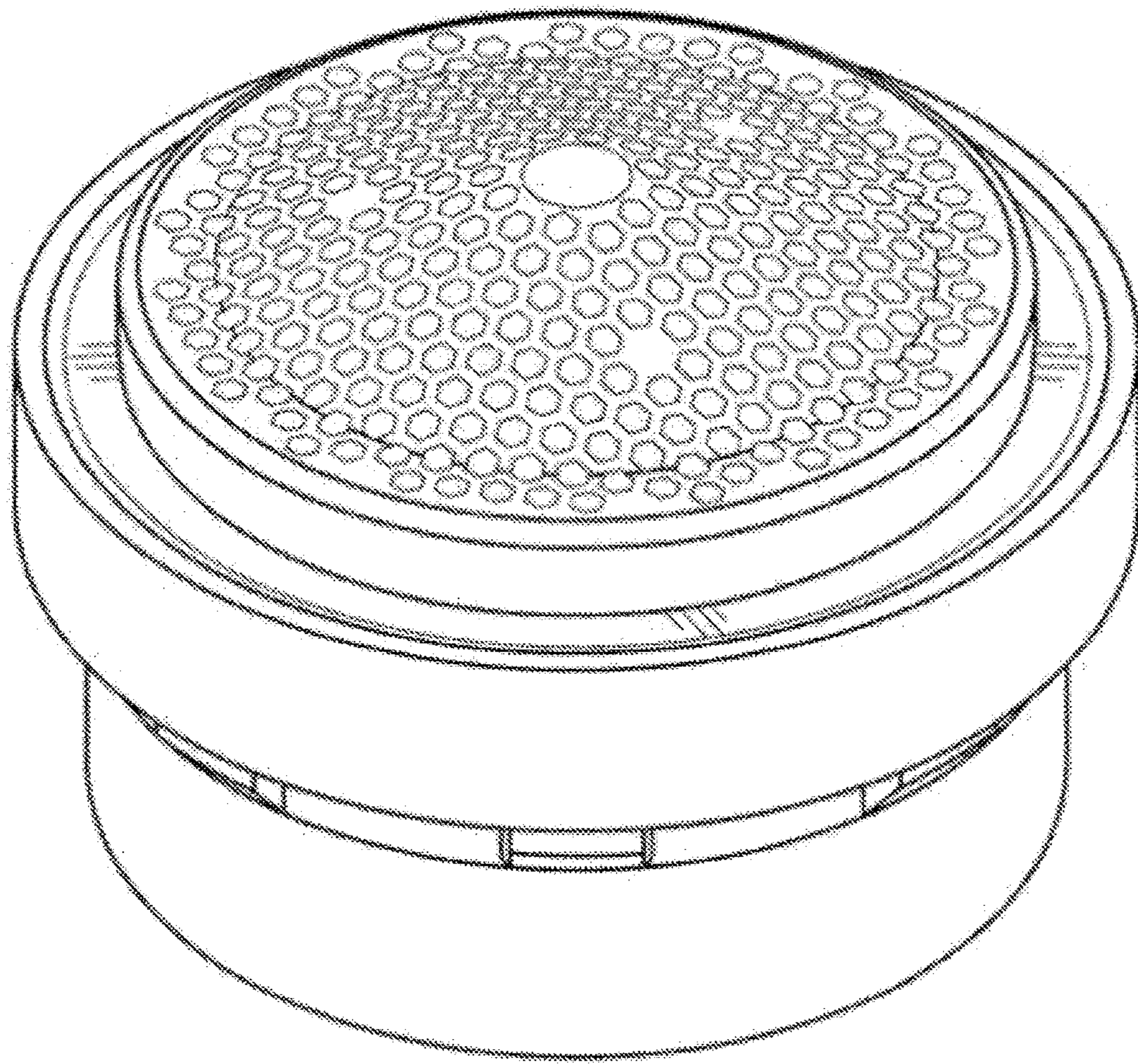
1.2



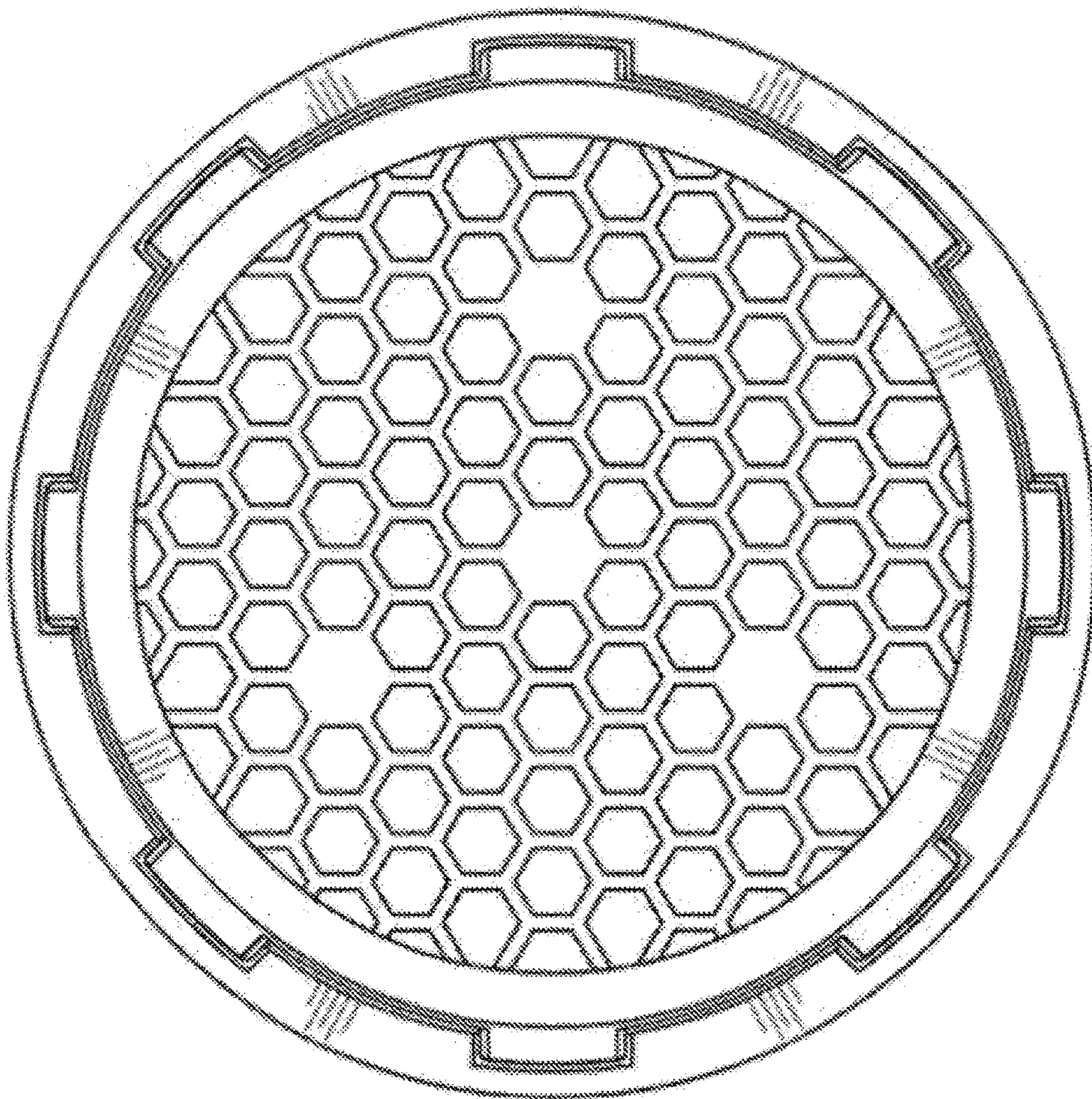
1.3



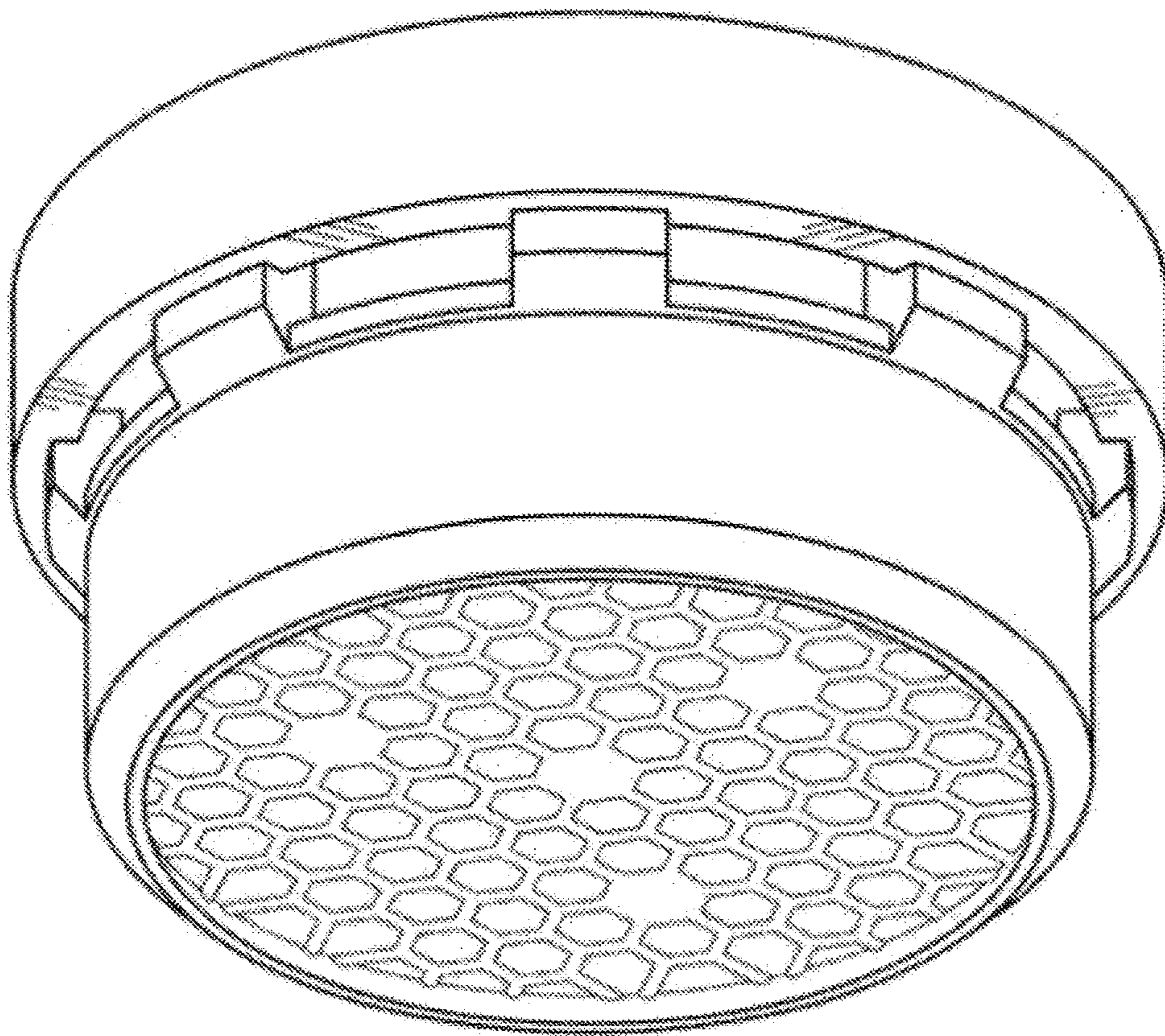
1.4



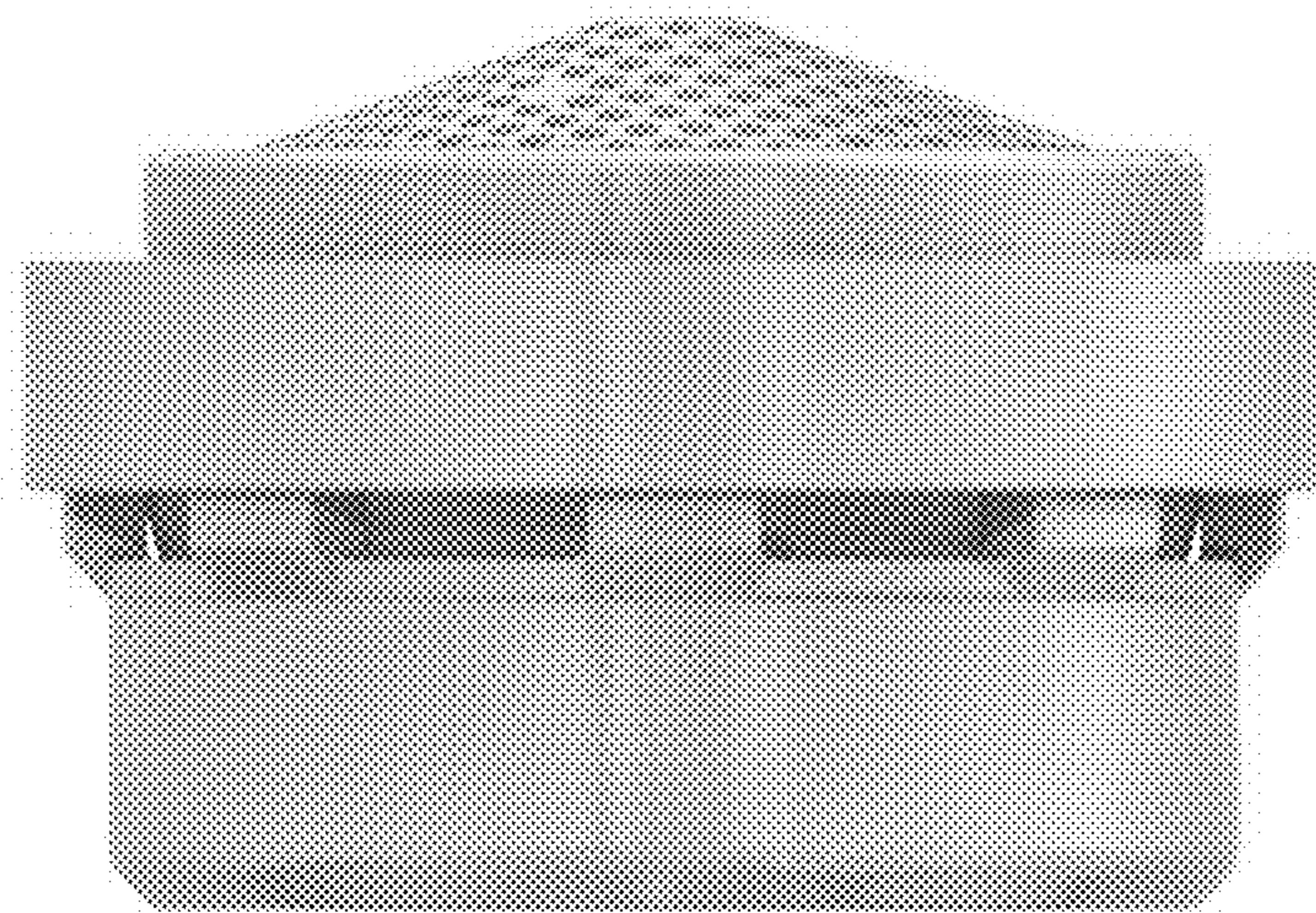
1.5



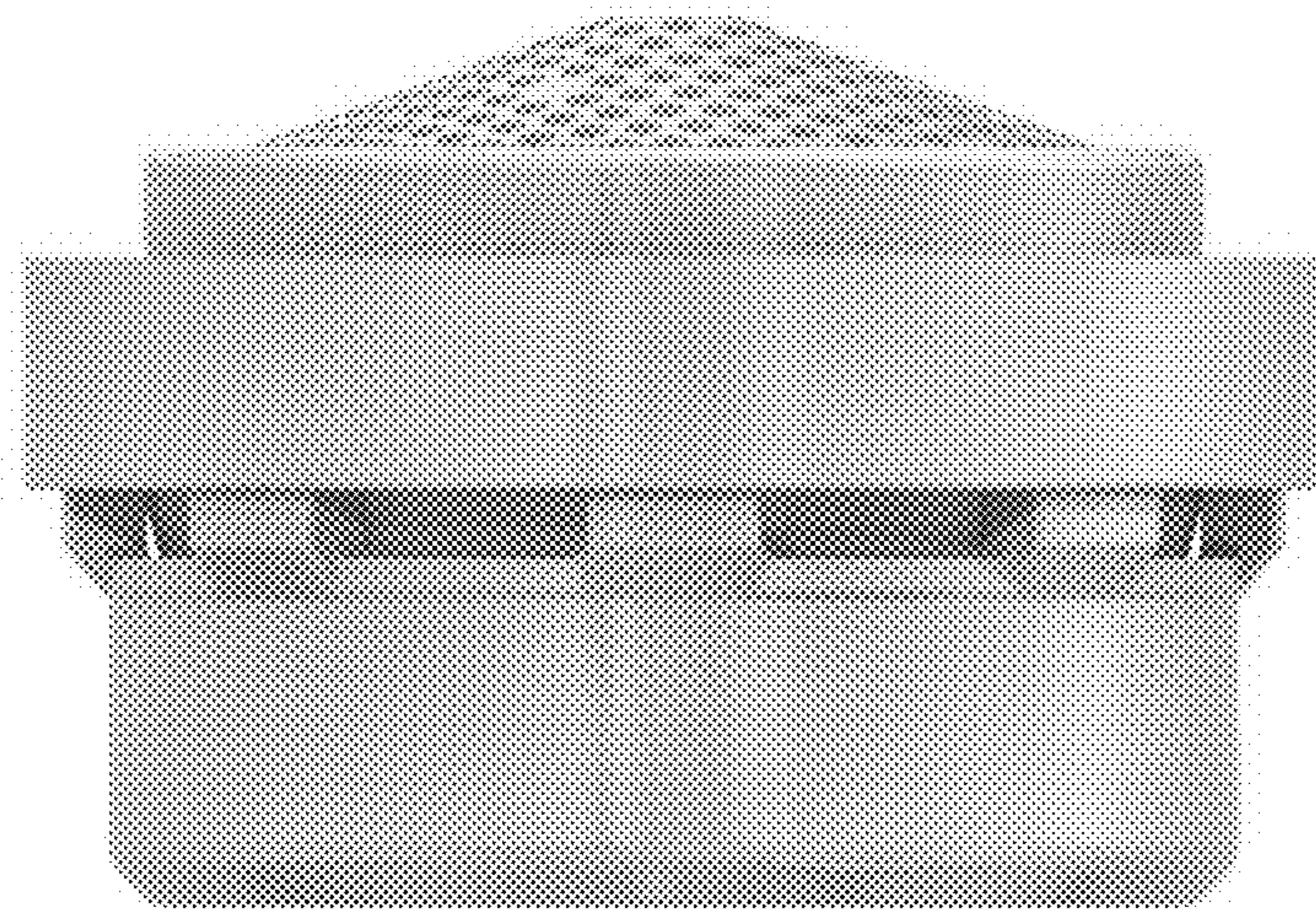
1.6



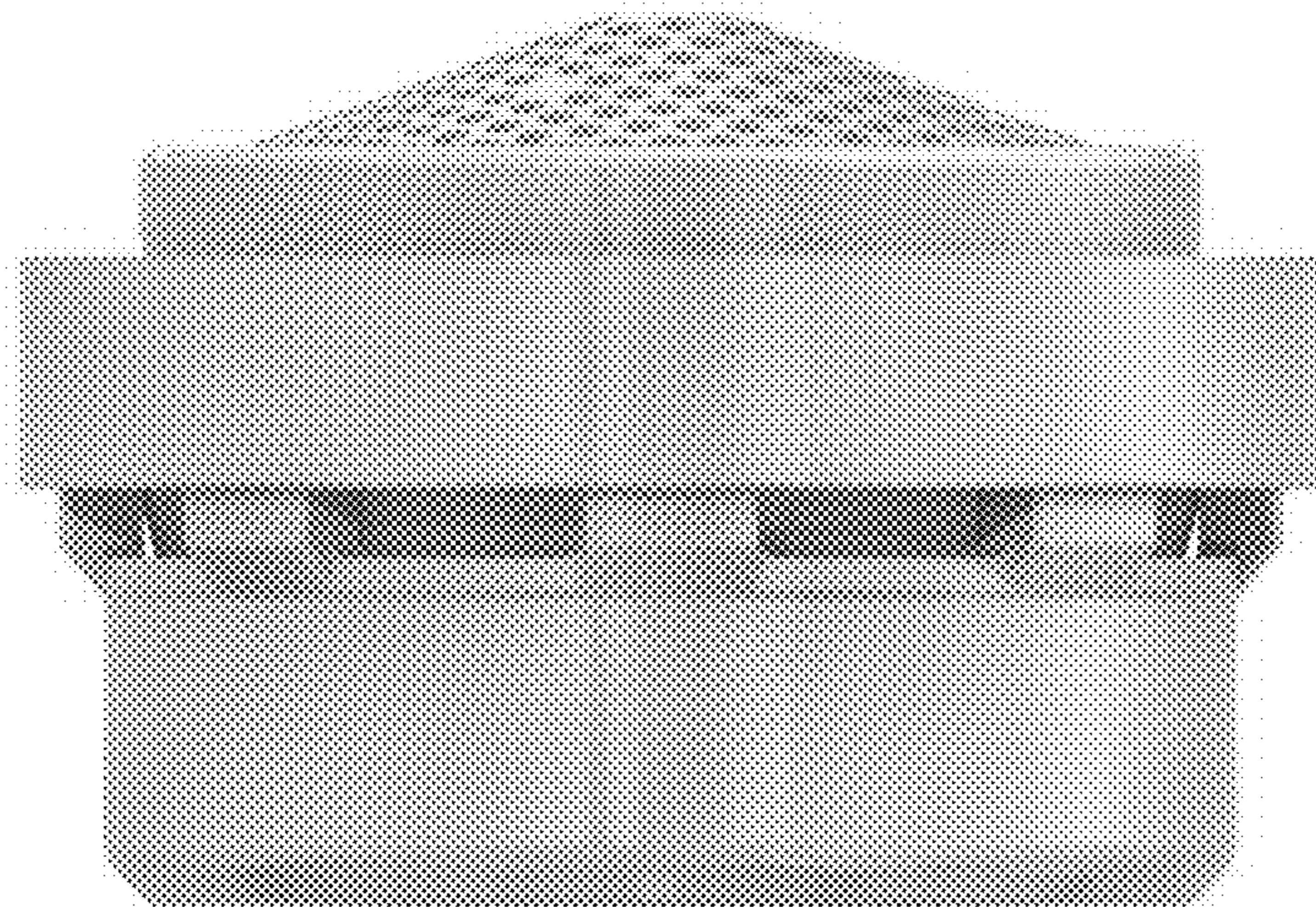
3.1



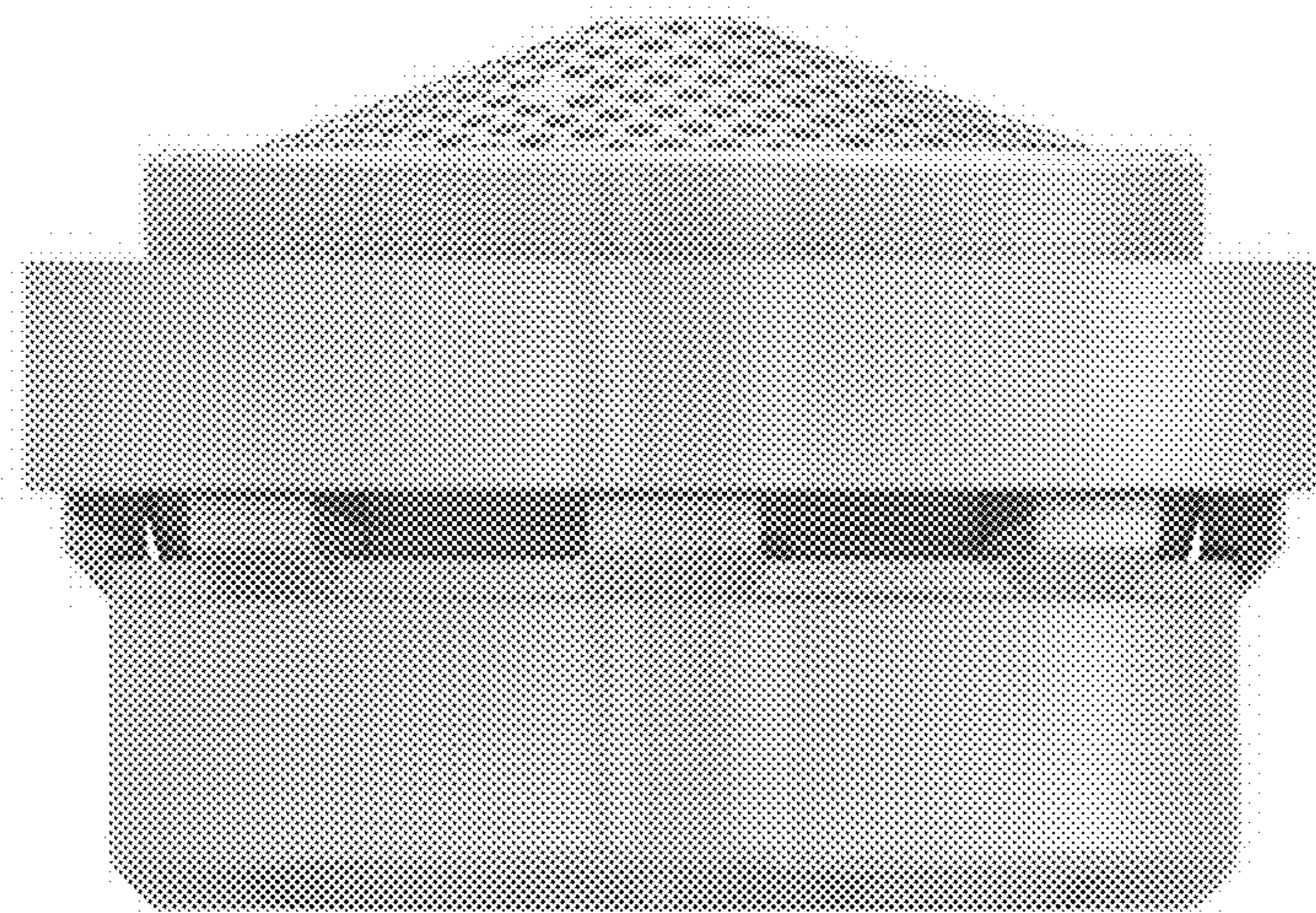
3.2



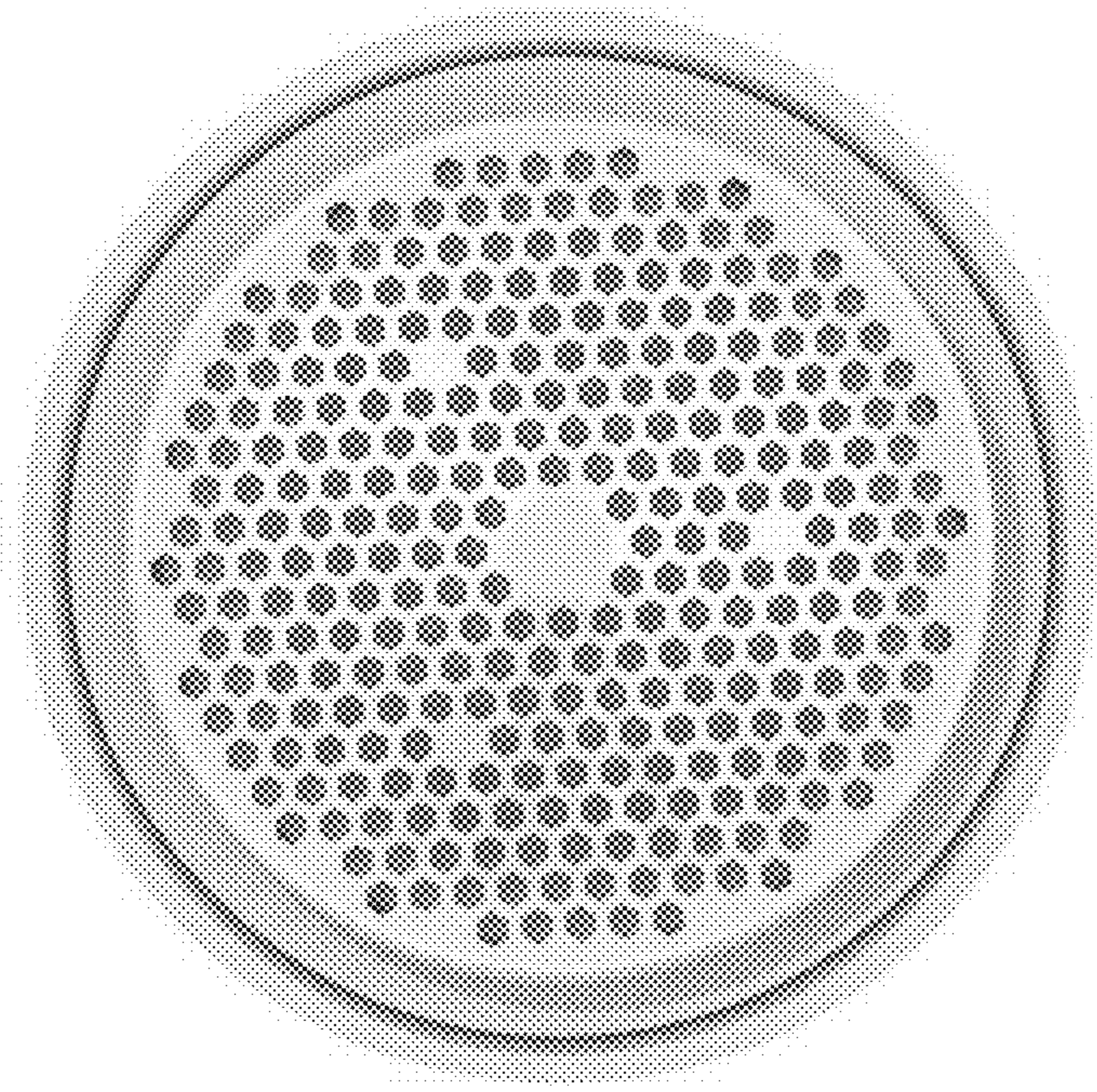
3.3



3.4



3.5



3.6

