

US00D866709S

(12) **United States Design Patent**  
**Schurle**

(10) **Patent No.:** **US D866,709 S**

(45) **Date of Patent:** **\*\* Nov. 12, 2019**

- (54) **FAUCET STREAM STRAIGHTENER**
- (71) Applicant: **Neoperl GmbH**, Mullheim (DE)
- (72) Inventor: **Holger Schurle**, Mullheim (DE)
- (73) Assignee: **Neoperl GmbH**, Müllheim (DE)
- (\*\*) Term: **15 Years**
- (21) Appl. No.: **29/685,878**
- (22) Filed: **Apr. 1, 2019**

D828,492 S	9/2018	Stein et al.	
D834,153 S	11/2018	Tempel	
D840,503 S *	2/2019	Stein .....	D23/213
D844,747 S *	4/2019	Blum .....	D23/213
D844,748 S *	4/2019	Schurle .....	D23/213
D849,888 S *	5/2019	Schurle .....	D23/213

\* cited by examiner

*Primary Examiner* — Keli L Hill

(74) *Attorney, Agent, or Firm* — Volpe and Koenig, P.C.

(57) **CLAIM**

The ornamental design for a faucet stream straightener, as shown and described.

**Related U.S. Application Data**

- (62) Division of application No. 35/502,777, filed on Mar. 7, 2017 (U.S. filing date under 35 U.S.C. 384), and having an international filing date of Mar. 7, 2017, now Pat. No. Des. 849,888.
- (51) **LOC (12) Cl.** ..... **23-01**
- (52) **U.S. Cl.**  
USPC ..... **D23/213**
- (58) **Field of Classification Search**  
USPC ..... D23/213, 229, 233, 235, 247-249, 260, D23/264  
CPC ..... B05B 7/0425; E03C 1/08; E03C 1/084; E03C 1/086; E03C 2001/026  
See application file for complete search history.

**DESCRIPTION**

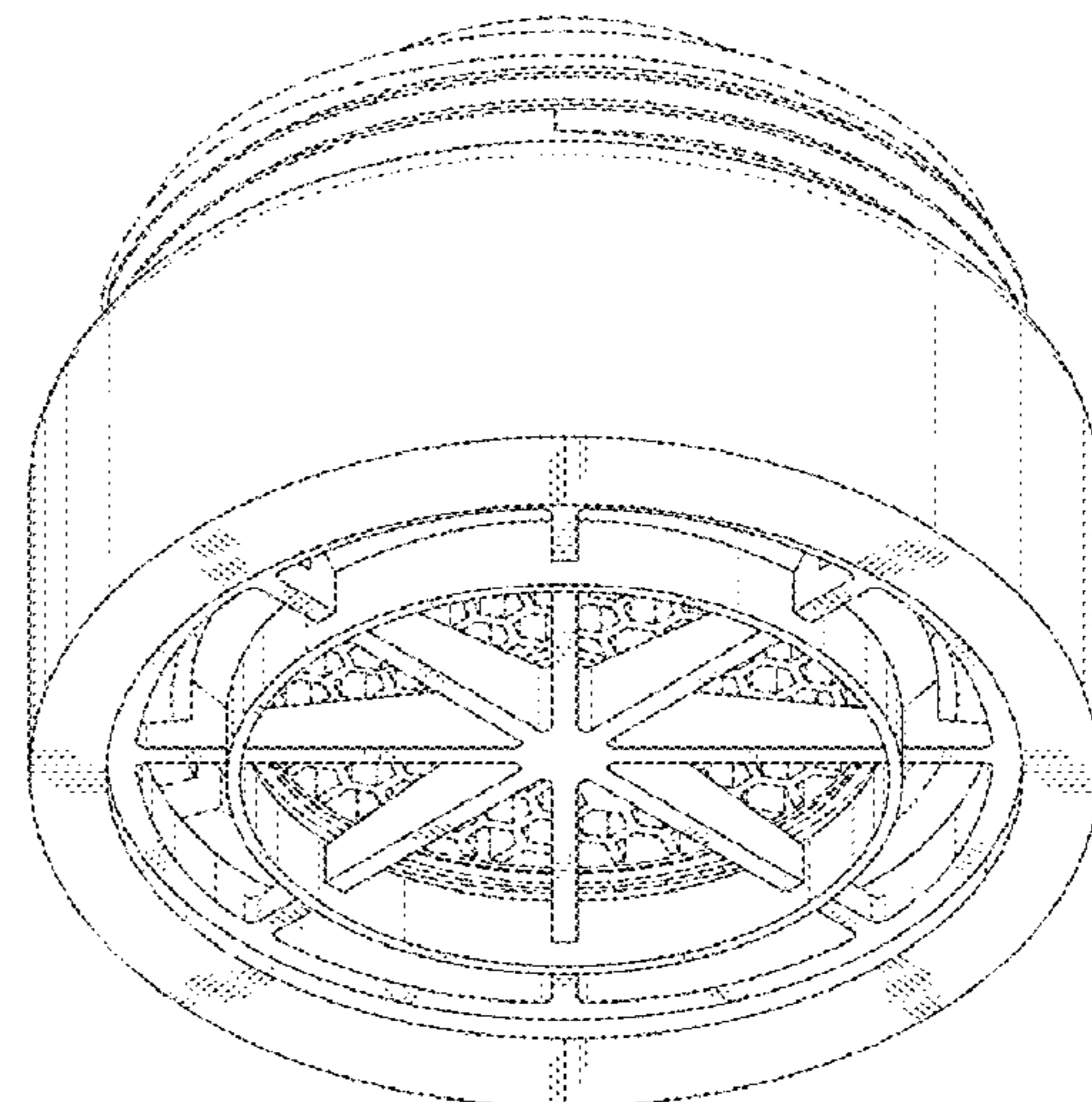
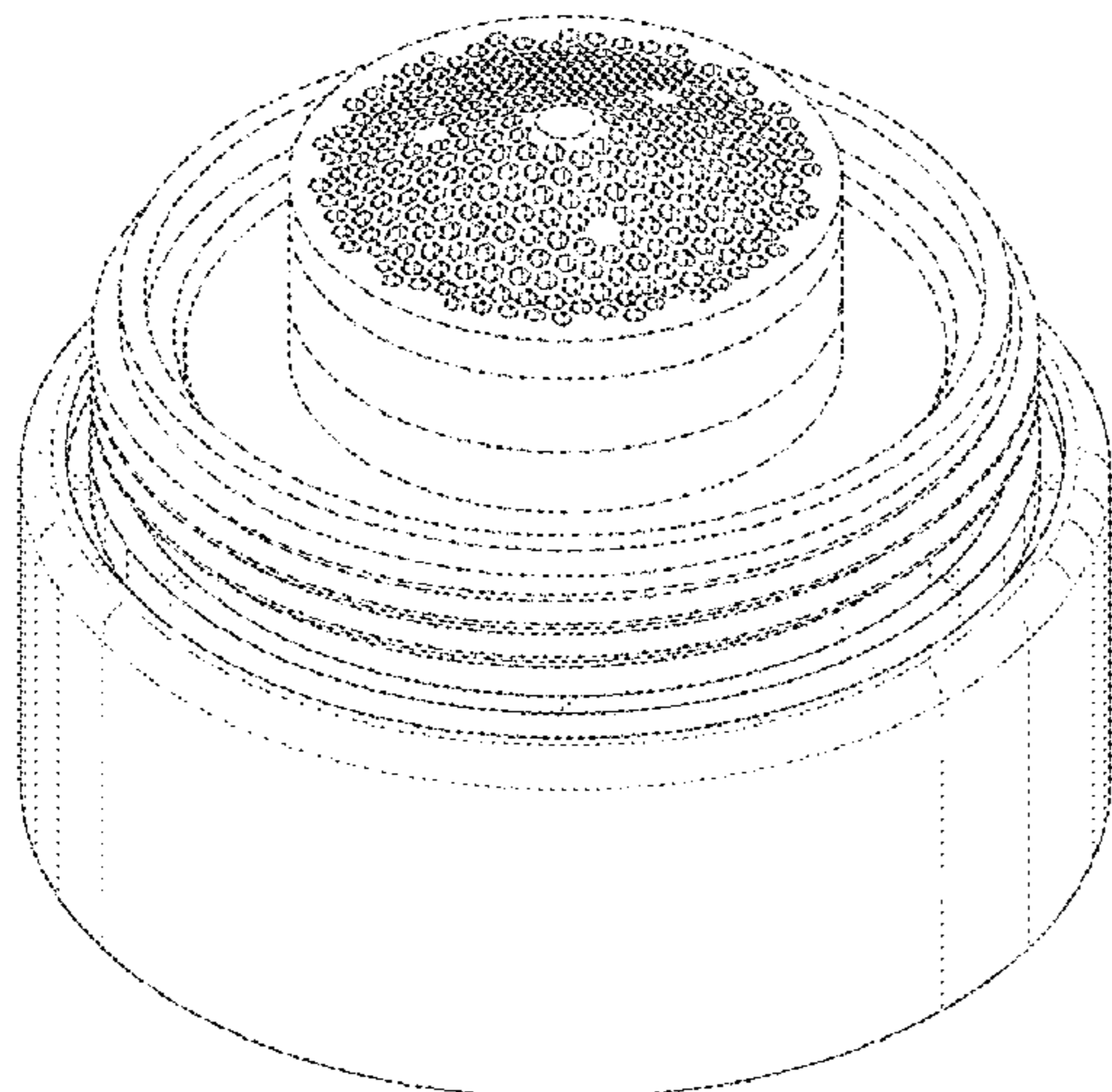
FIG. 1 is a top plan view of a first embodiment of a faucet stream straightener in accordance with my design;  
 FIG. 2 is a top, front perspective view thereof;  
 FIG. 3 is a bottom plan view thereof;  
 FIG. 4 is a bottom, rear perspective view thereof;  
 FIG. 5 is a front elevational view thereof;  
 FIG. 6 is a right side elevational view thereof;  
 FIG. 7 is a rear elevational view thereof; and  
 FIG. 8 is a left side elevational view thereof;  
 FIG. 9 is a top plan view of a second embodiment of a faucet stream straightener in accordance with my design;  
 FIG. 10 is a top, front perspective view thereof;  
 FIG. 11 is a bottom plan view thereof;  
 FIG. 12 is a bottom, rear perspective view thereof;  
 FIG. 13 is a front elevational view thereof;  
 FIG. 14 is a right side elevational view thereof;  
 FIG. 15 is a rear elevational view thereof; and  
 FIG. 16 is a left side elevational view thereof.  
 The broken lines represent portions of the faucet stream straightener that form no part of the claimed design.

(56) **References Cited**

**U.S. PATENT DOCUMENTS**

D752,710 S	3/2016	Tempel
D753,792 S	4/2016	Blum
D776,242 S	1/2017	Blum
D788,264 S	5/2017	Stein
D797,236 S	9/2017	Blum

**1 Claim, 16 Drawing Sheets**



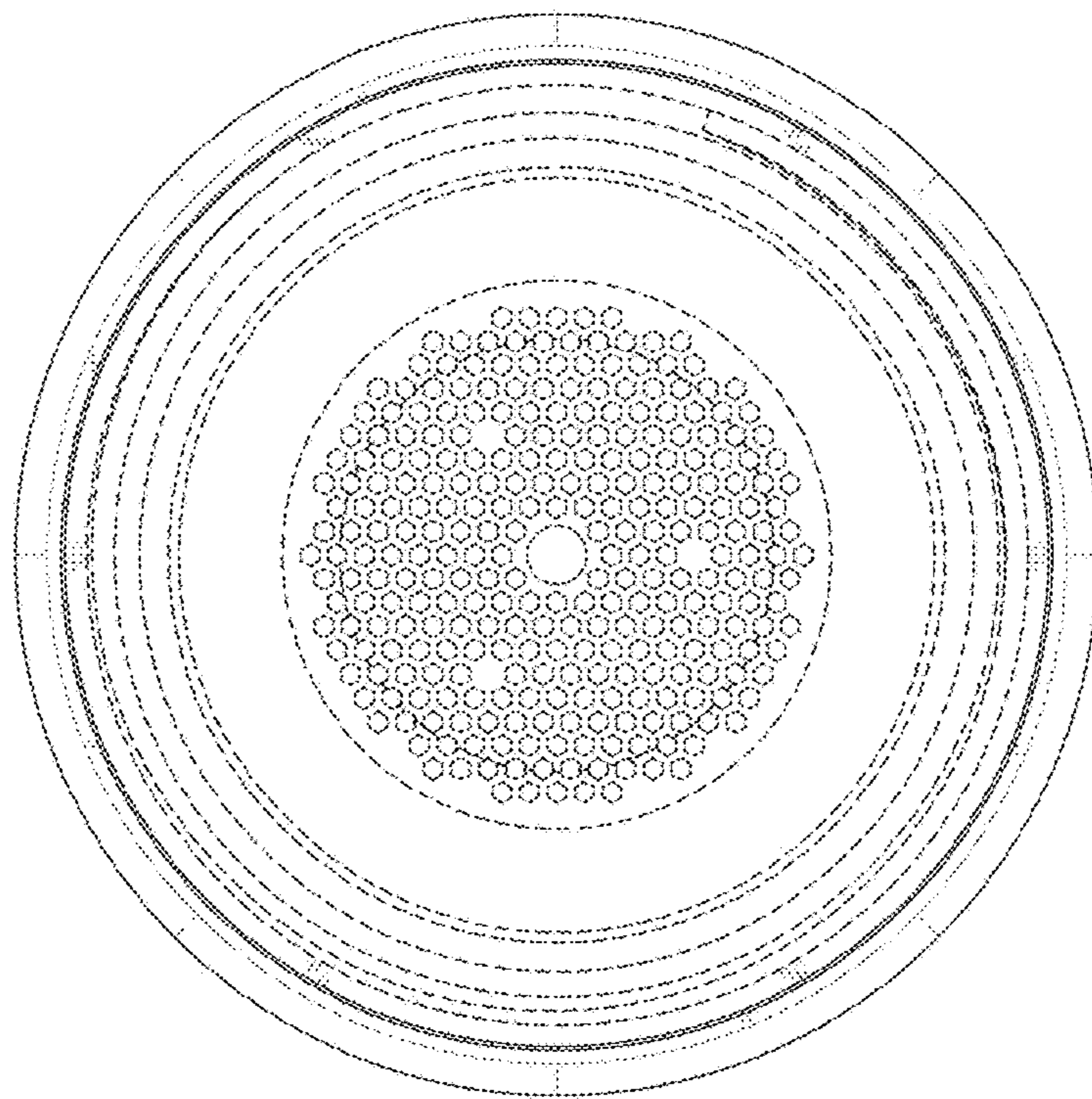


Fig. 1

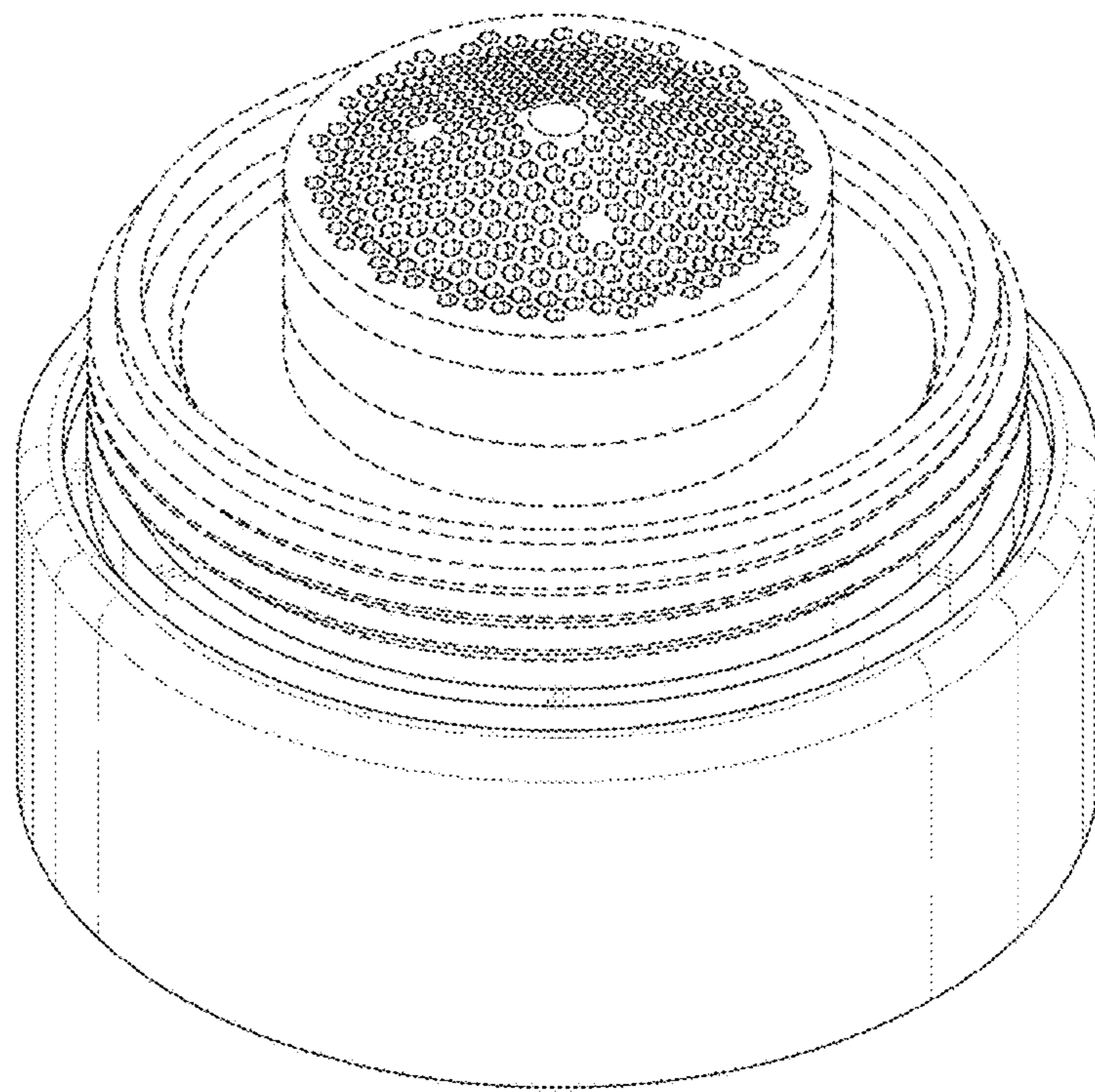


Fig. 2

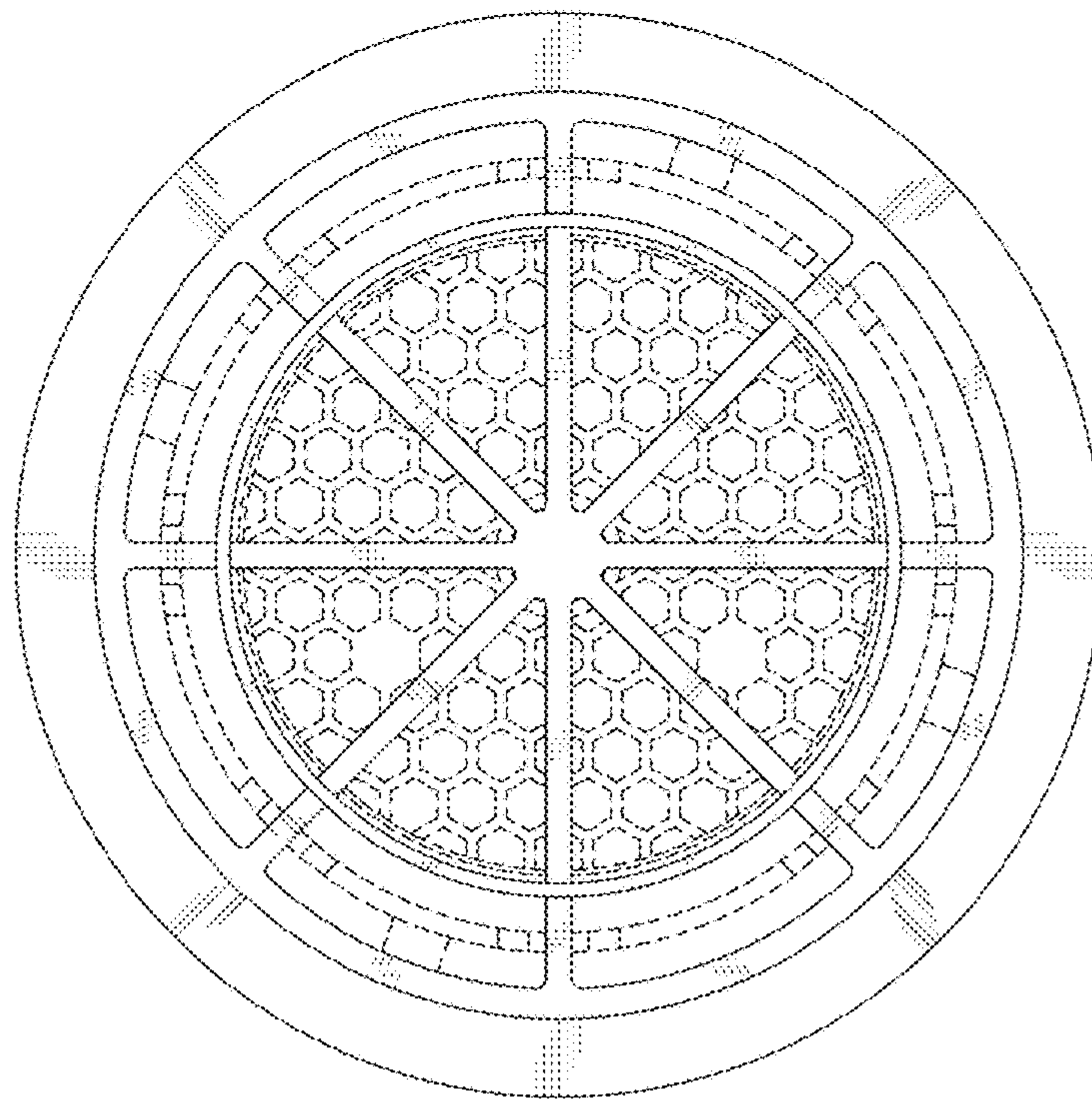


Fig. 3

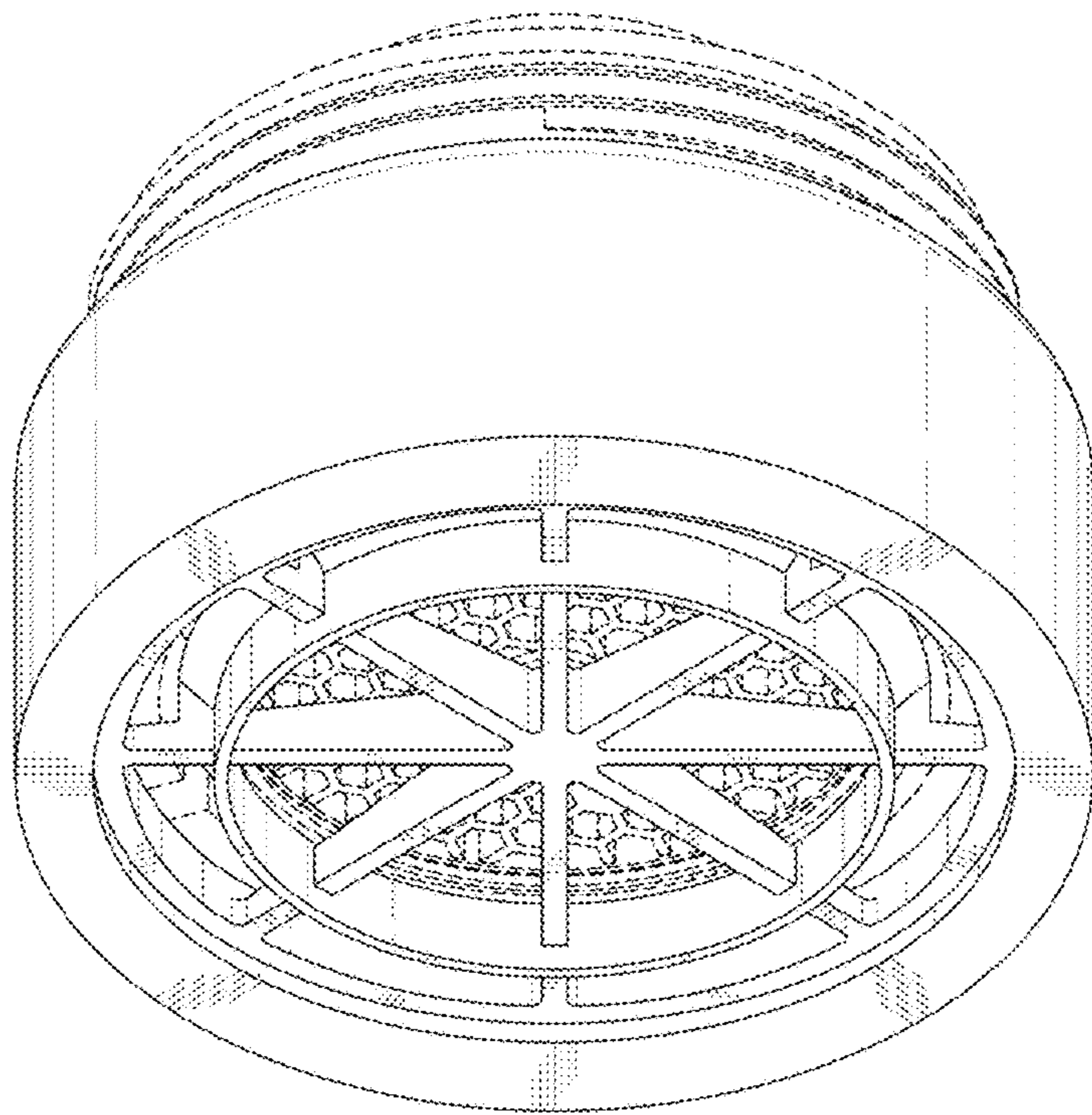


Fig. 4

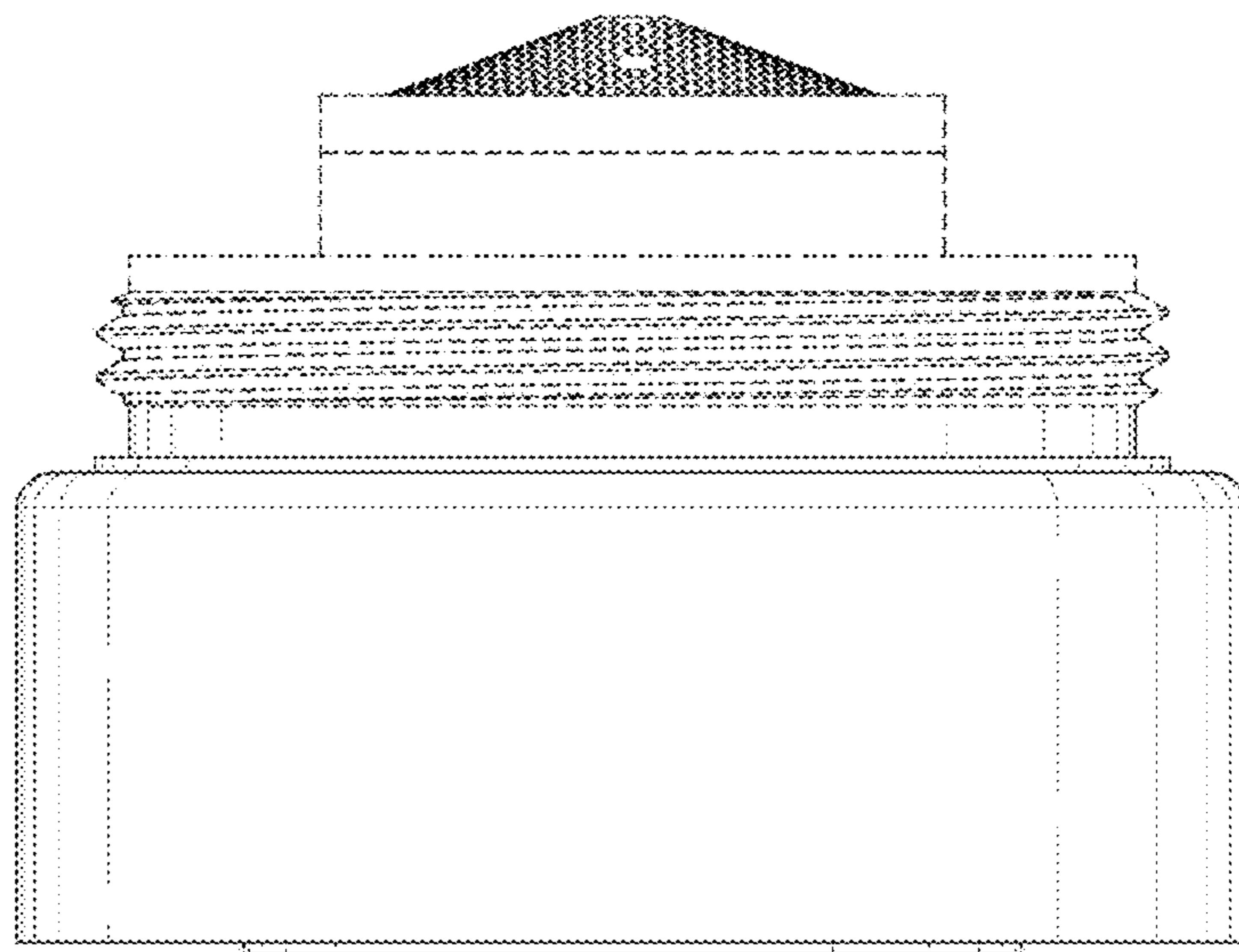


Fig. 5

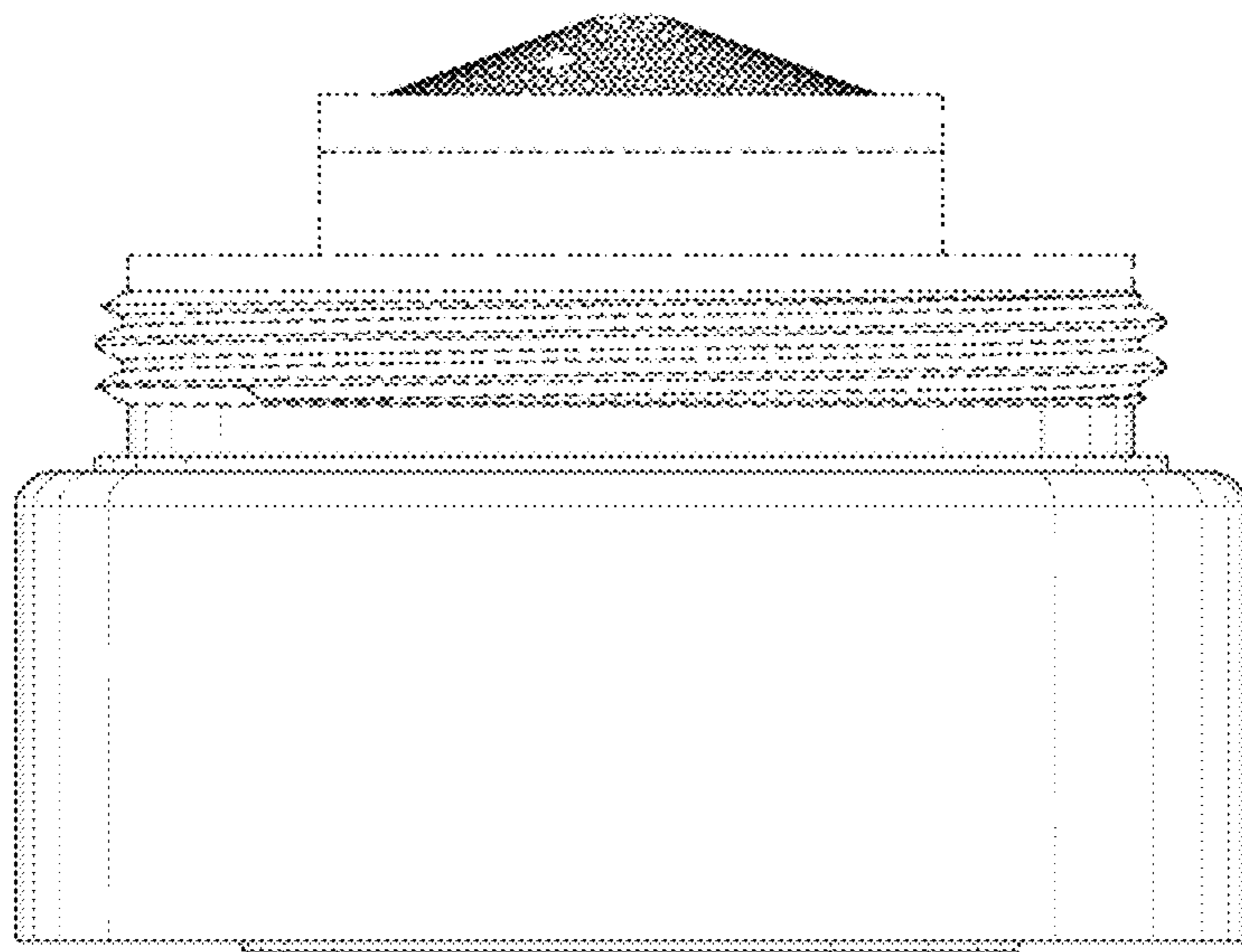


Fig. 6

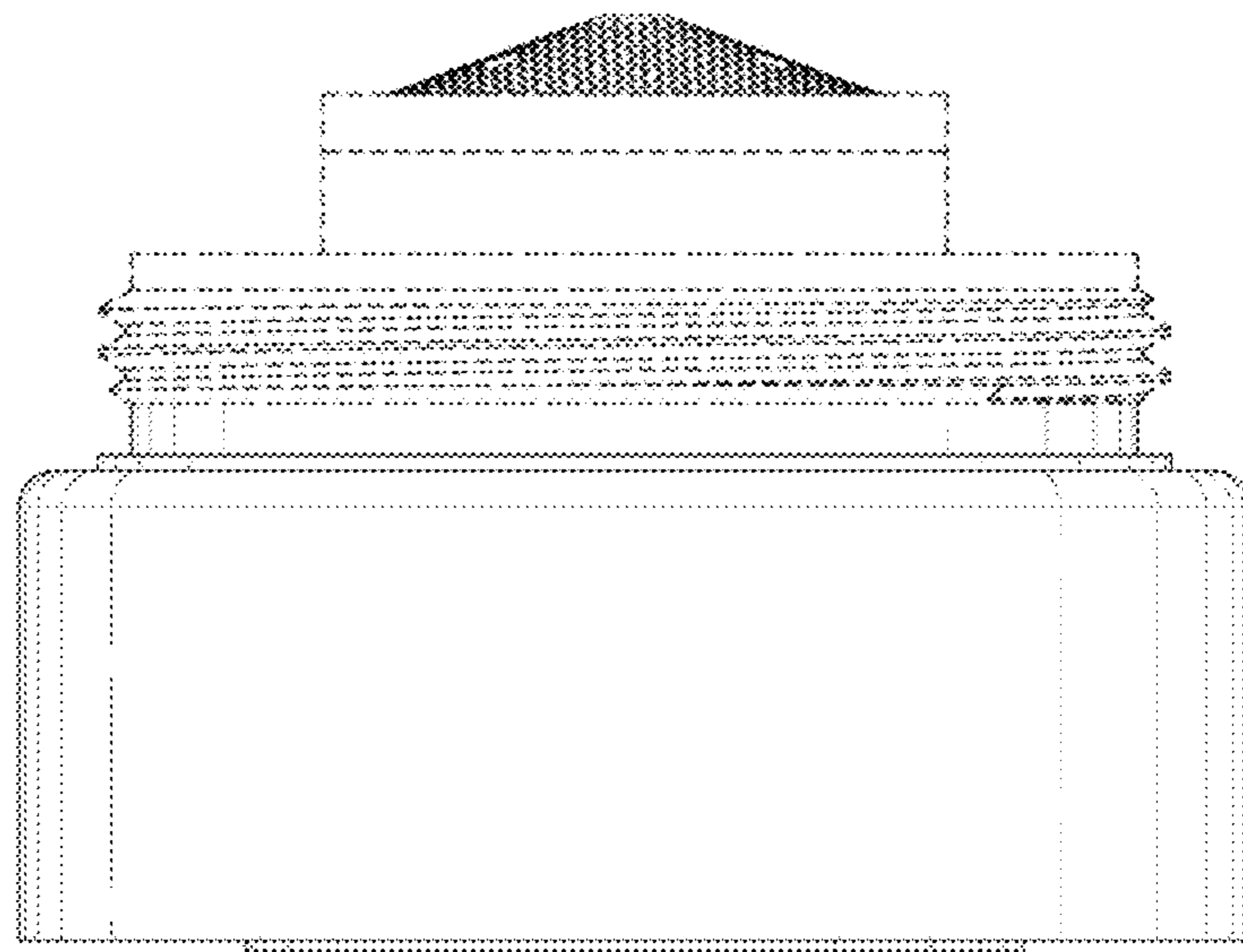


Fig. 7



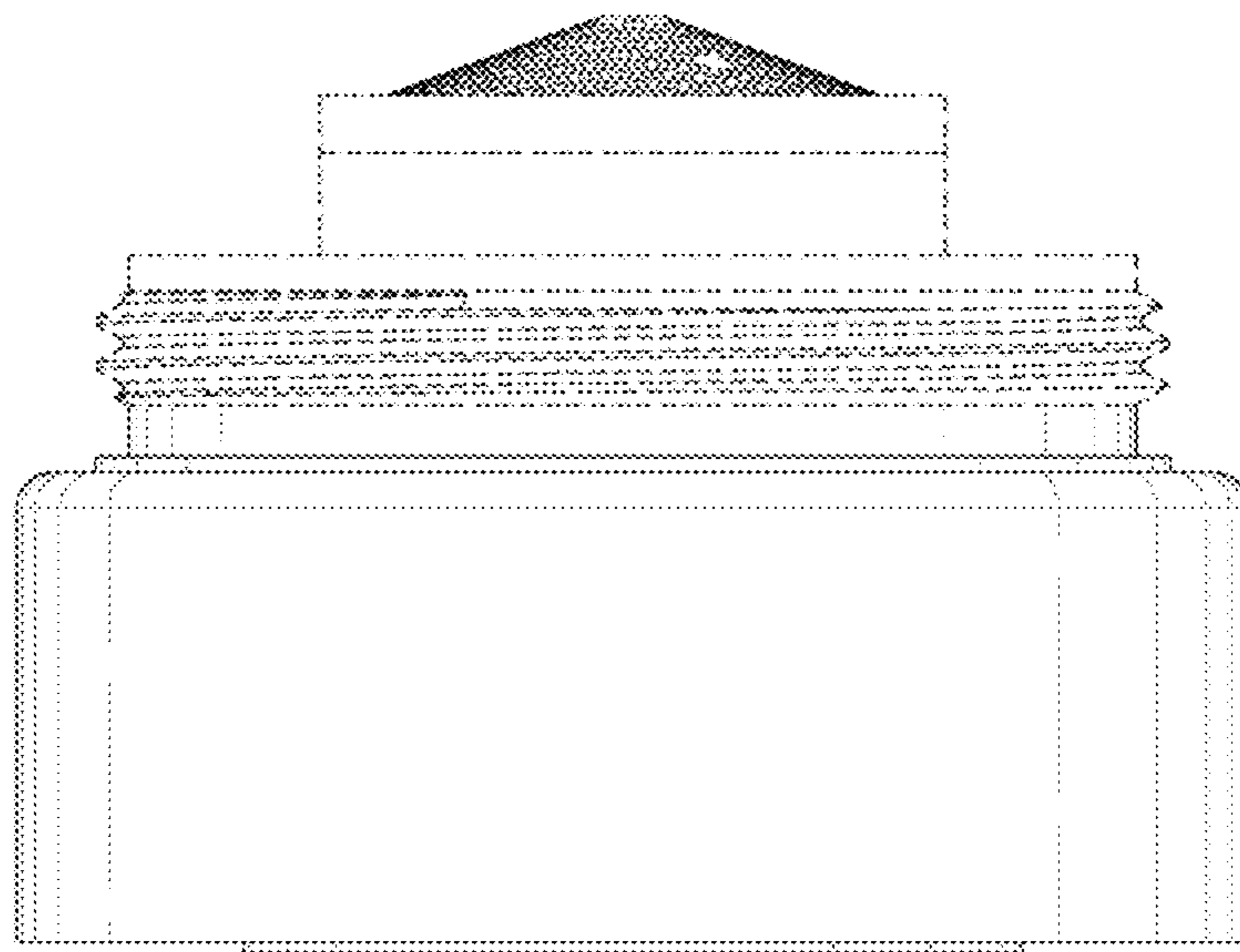


Fig. 8

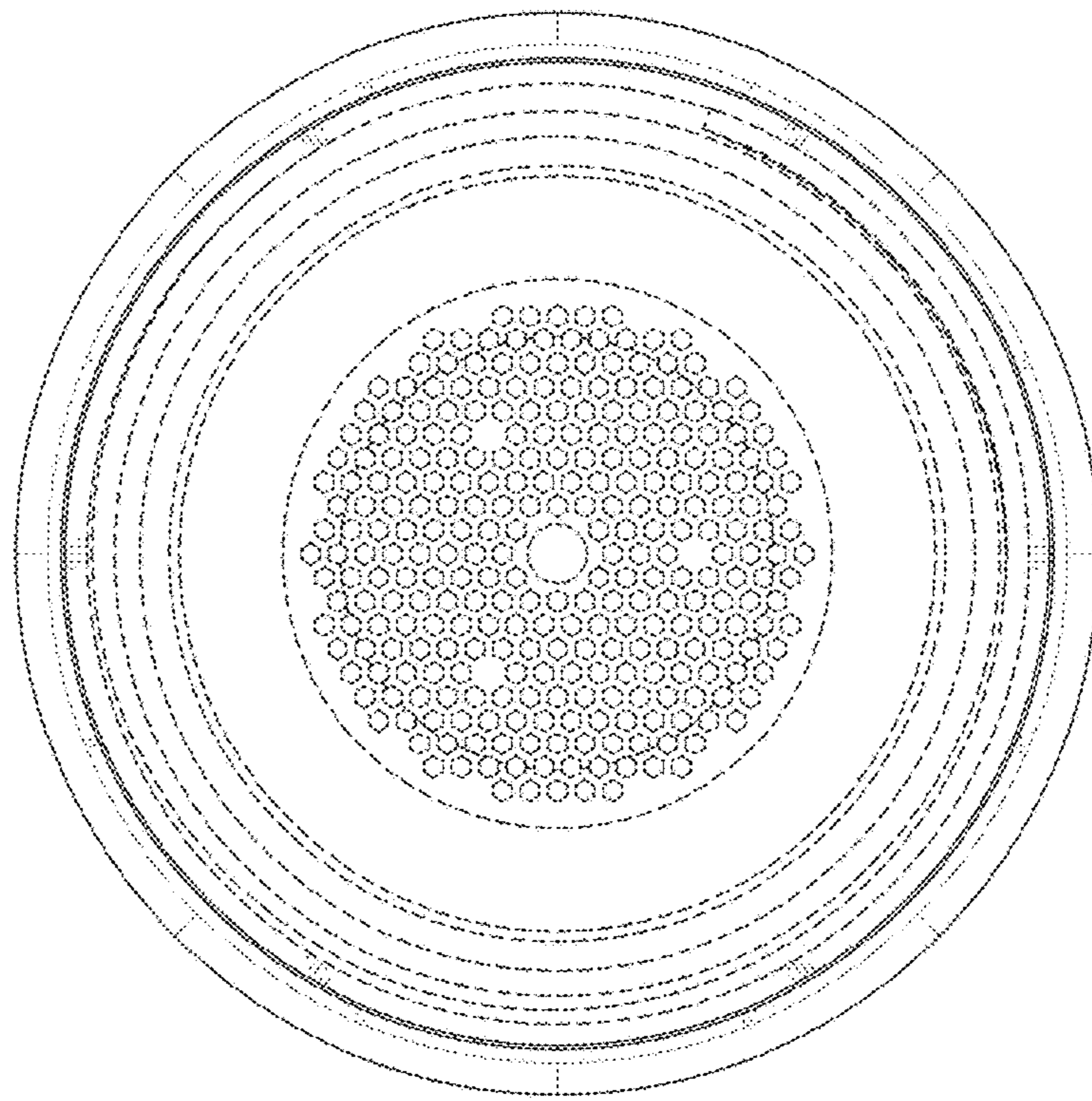


Fig. 9

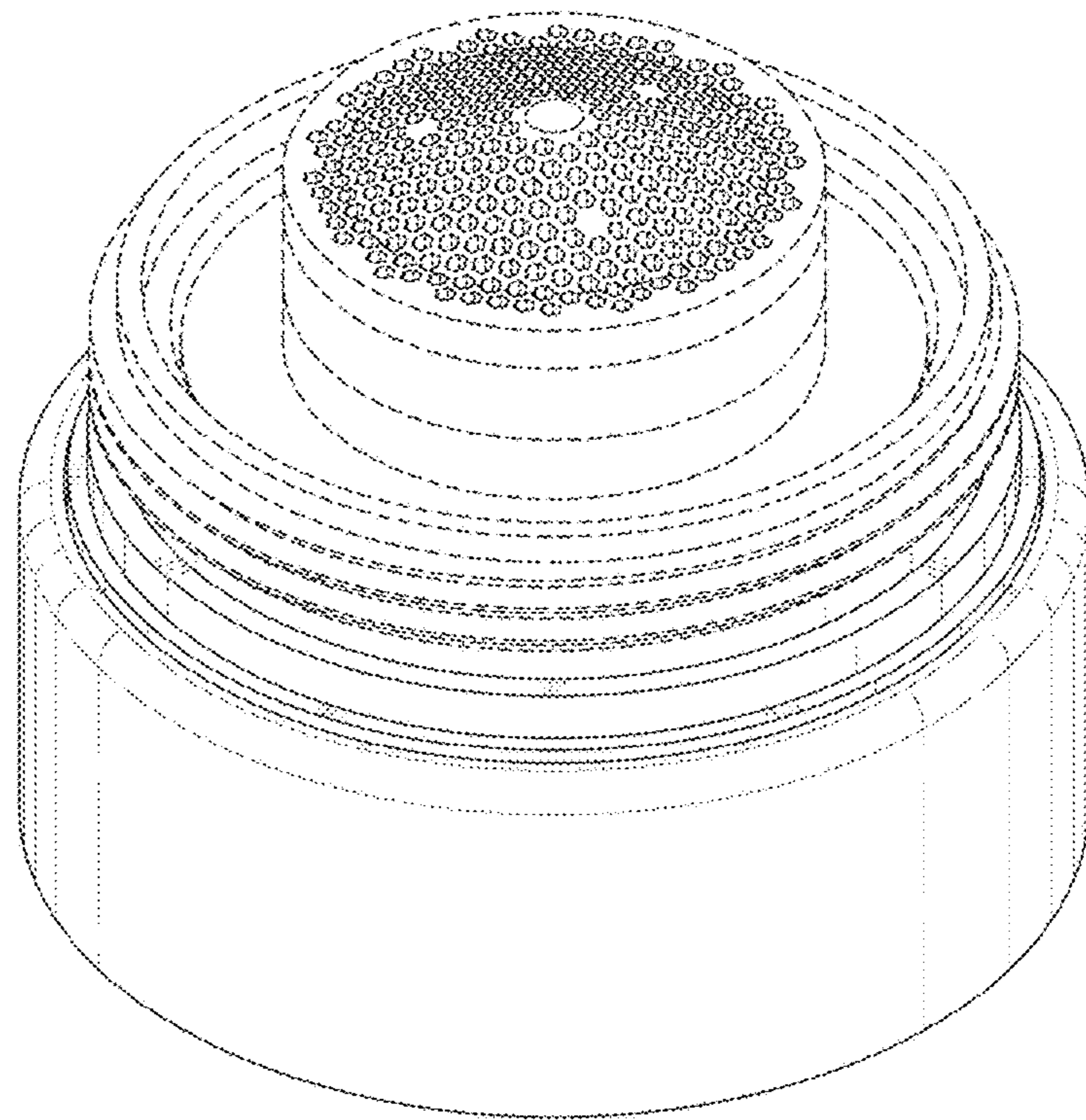


Fig. 10

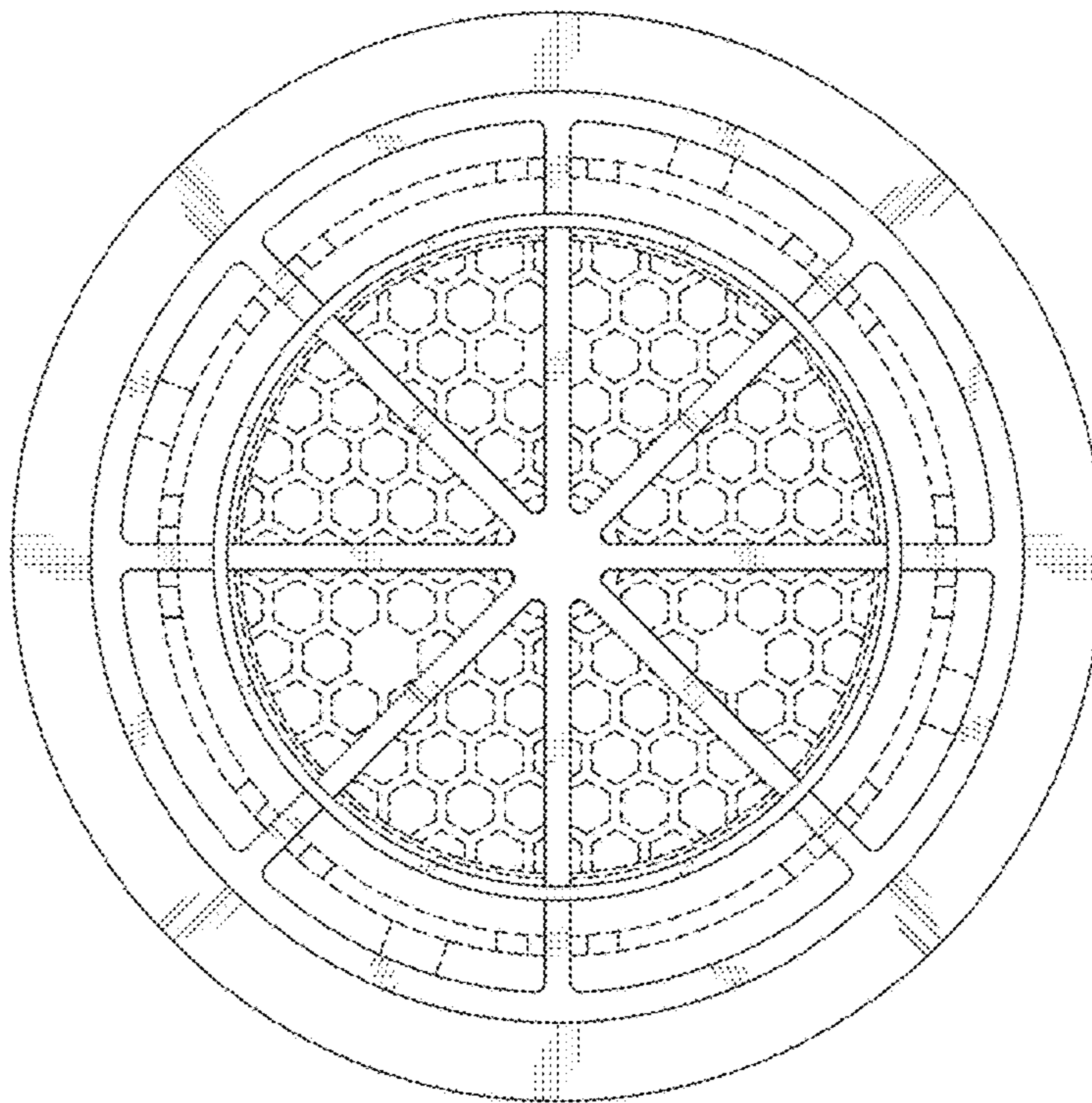


Fig. 11

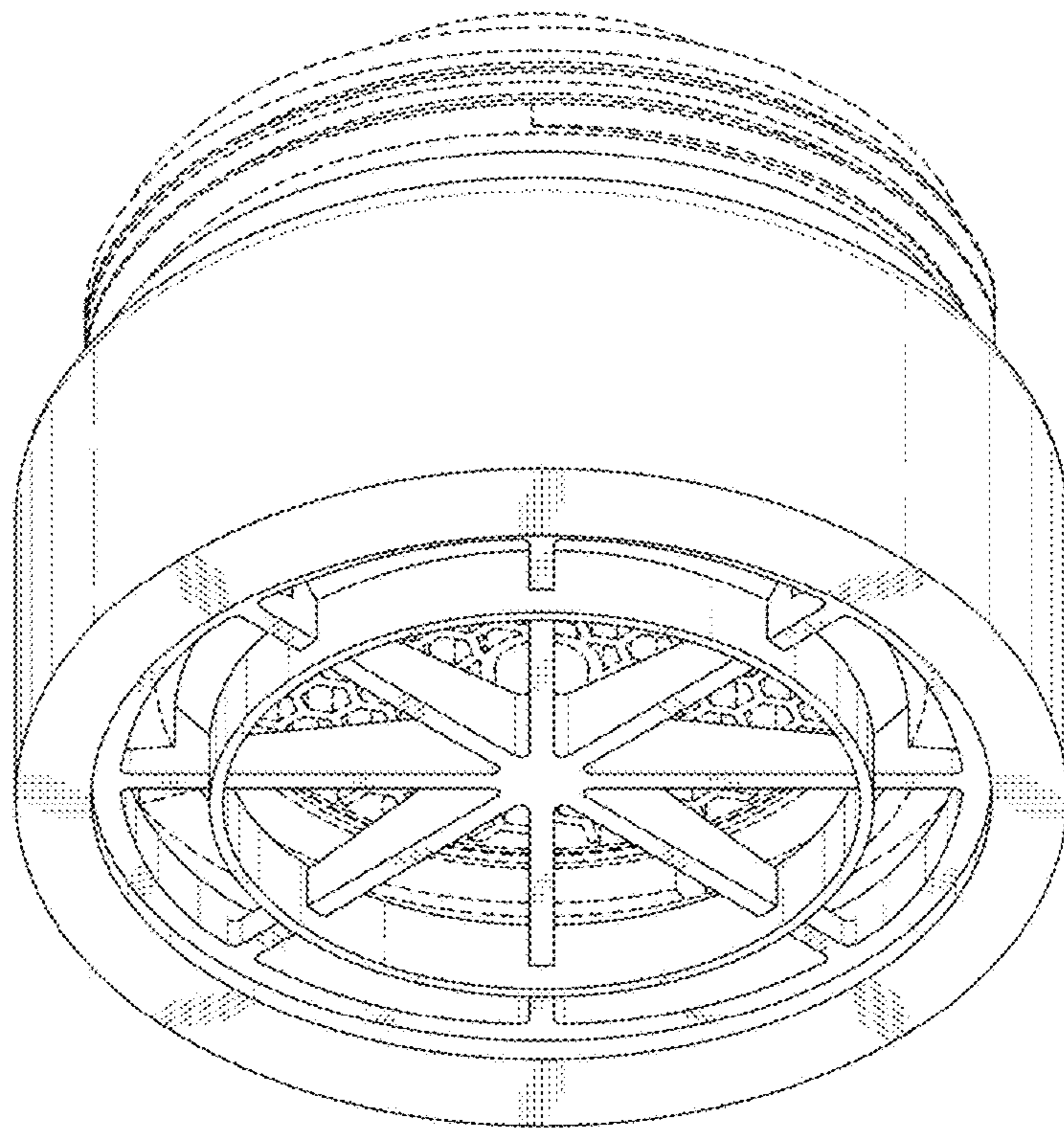


Fig. 12

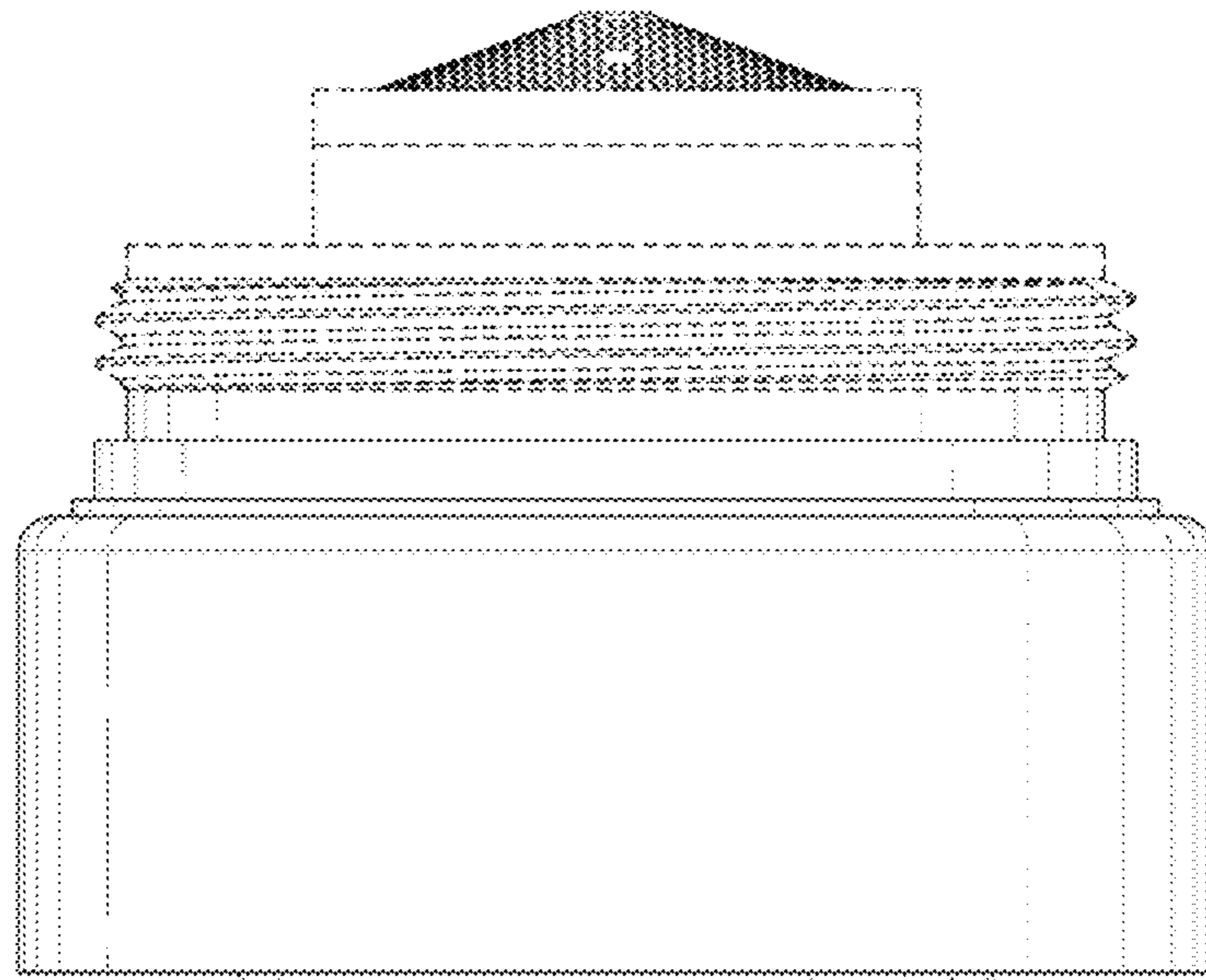


Fig. 13

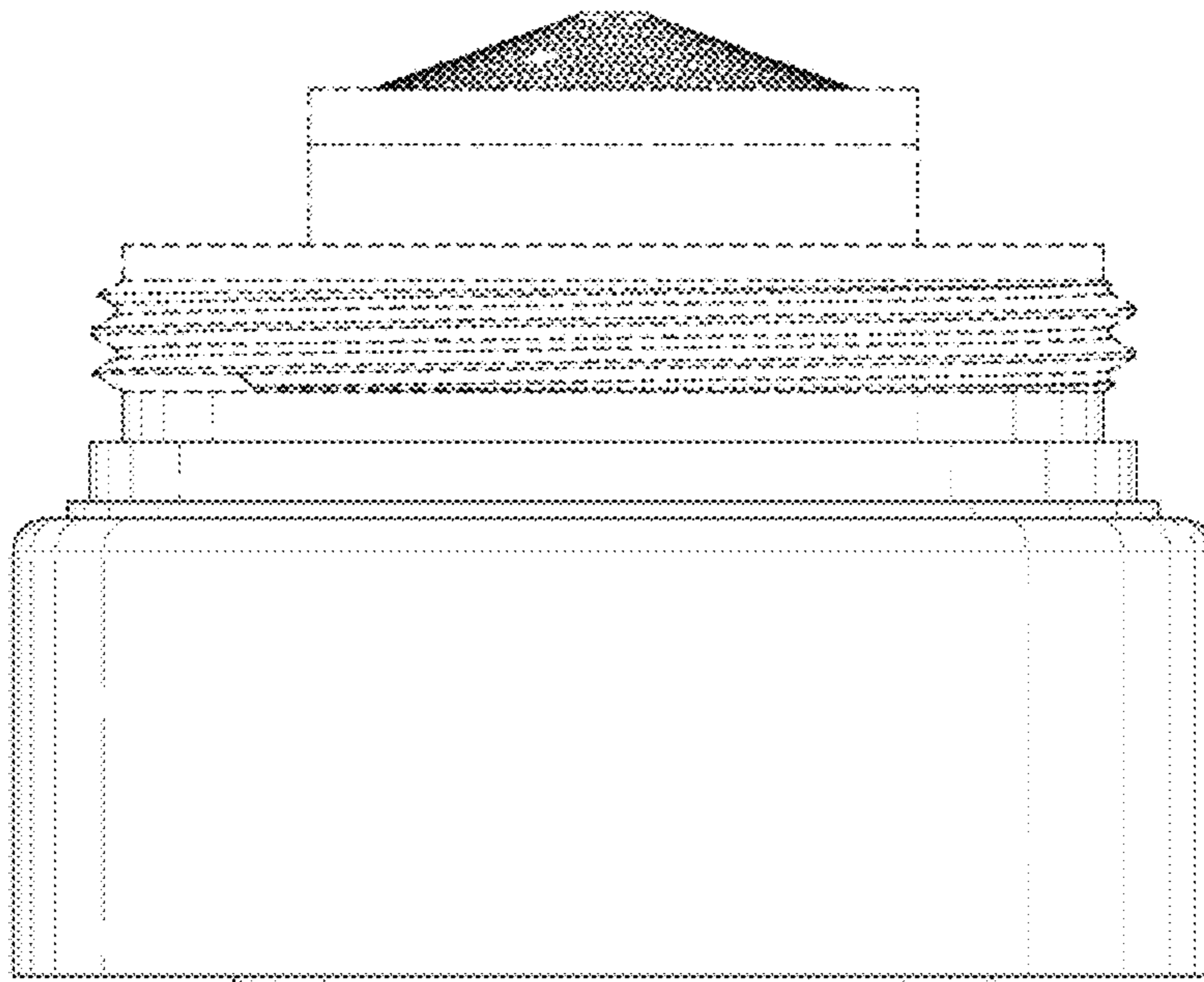


Fig. 14

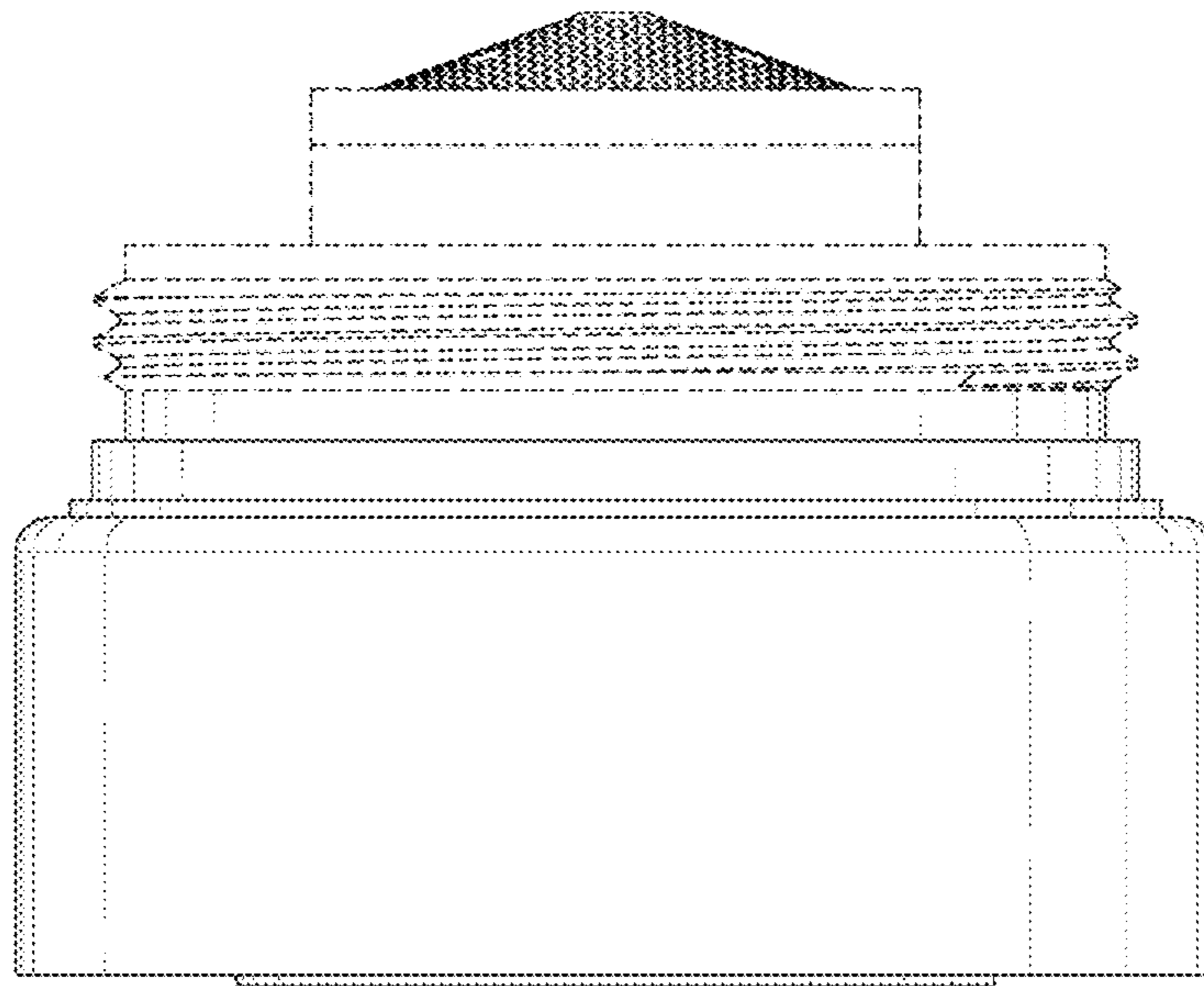


Fig. 15



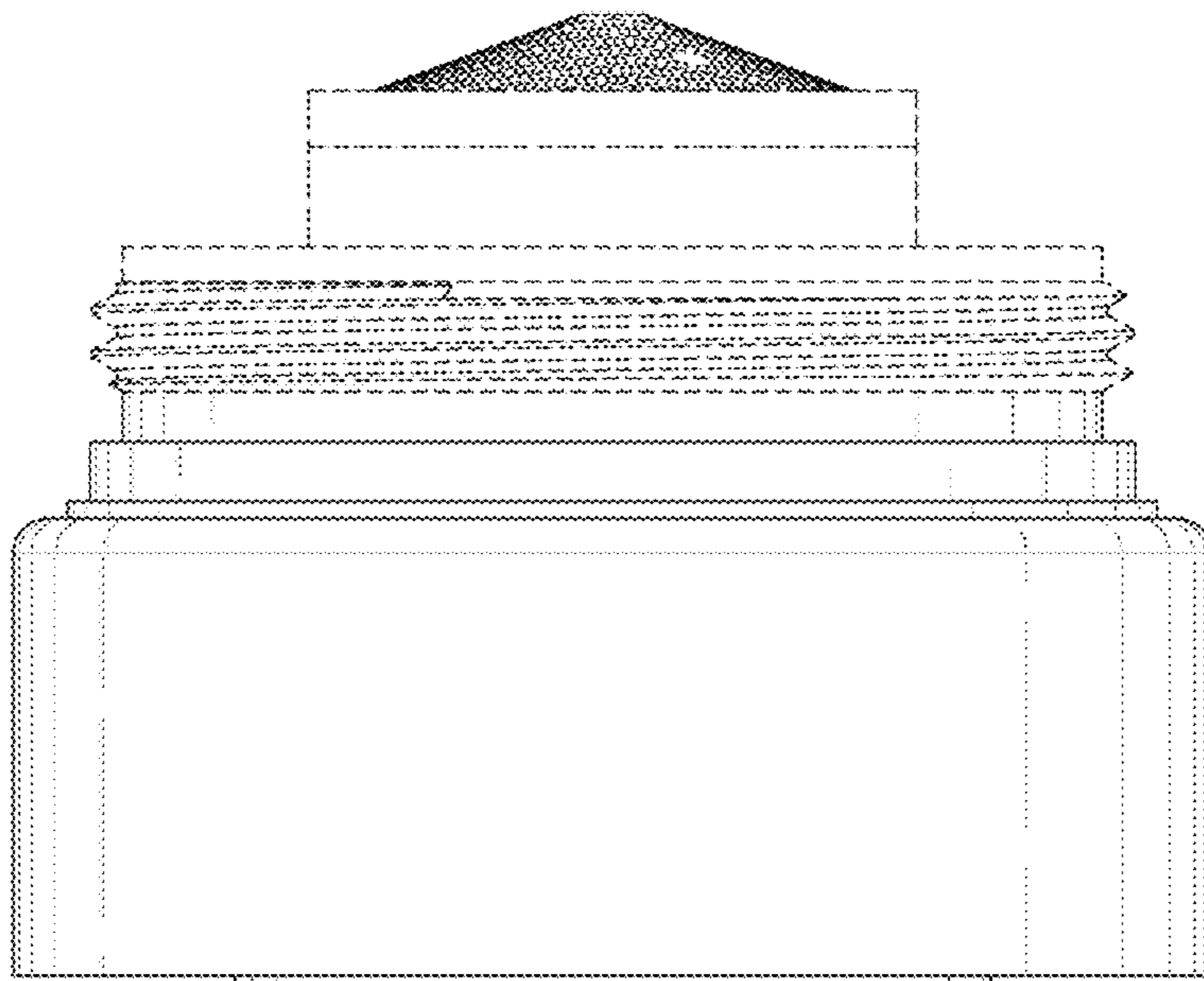


Fig. 16